



US00D655136S

(12) **United States Design Patent**
Goodman

(10) **Patent No.:** **US D655,136 S**
(45) **Date of Patent:** **** Mar. 6, 2012**

- (54) **CUP HOLDER WITH TRAY**
- (75) Inventor: **Earl Lloyd Goodman**, Potomac, MD
(US)
- (73) Assignee: **Charge Forward, LLC**, Rockville, MD
(US)
- (**) Term: **14 Years**
- (21) Appl. No.: **29/397,847**
- (22) Filed: **Jul. 21, 2011**
- (51) **LOC (9) Cl.** **07-01**
- (52) **U.S. Cl.** **D7/553.6**
- (58) **Field of Classification Search** D7/602,
D7/701-708, 543-549, 553.1, 553.4, 553.6,
D7/619.1-620; 206/217, 557-558, 562-565;
220/23.83, 23.86, 575; 294/146, 159, 172
See application file for complete search history.

D387,950 S *	12/1997	Panta	D7/552.1
D410,820 S *	6/1999	Lofrano	D7/549
5,950,856 A *	9/1999	Cinque	220/23.4
D439,114 S *	3/2001	Dini	D7/553.1
D441,620 S *	5/2001	Goldsborough	D7/701
D456,216 S *	4/2002	Kothe	D7/549
D481,260 S *	10/2003	Bulcher et al.	D7/553.1
6,651,836 B1 *	11/2003	Hofheins et al.	220/575
6,682,034 B1 *	1/2004	Vial	248/231.81
6,691,890 B1 *	2/2004	Persson	220/575
D519,787 S *	5/2006	Kilders	D7/549
D540,622 S *	4/2007	Cox	D7/555
D581,740 S *	12/2008	Ingle	D7/549
D592,813 S *	5/2009	Newsome et al.	D30/129
D594,281 S *	6/2009	Luft	D7/553.8
D623,019 S *	9/2010	Wildman	D7/554.2
7,798,354 B2 *	9/2010	Stowers, Sr.	220/23.8
D629,654 S *	12/2010	Moon	D7/552.1

* cited by examiner

Primary Examiner — Kelley Donnelly
(74) *Attorney, Agent, or Firm* — Sughrue Mion, PLLC

(56) **References Cited**

U.S. PATENT DOCUMENTS

D139,954 S *	1/1945	Krass	D7/505
2,916,180 A *	12/1959	Alger	220/23.86
3,401,858 A *	9/1968	White et al.	294/172
D274,299 S *	6/1984	Kessler	D7/551.3
D291,957 S *	9/1987	Stevens	D7/505
D307,529 S *	5/1990	Baetens	D7/505
D345,084 S *	3/1994	Williams	D7/553.8
D352,213 S *	11/1994	Keven	D7/701
D353,742 S *	12/1994	Lewis et al.	D7/558
D366,817 S *	2/1996	Sampson	D7/553.1
5,598,944 A *	2/1997	Aragona	220/575
D378,334 S *	3/1997	Legere	D7/620

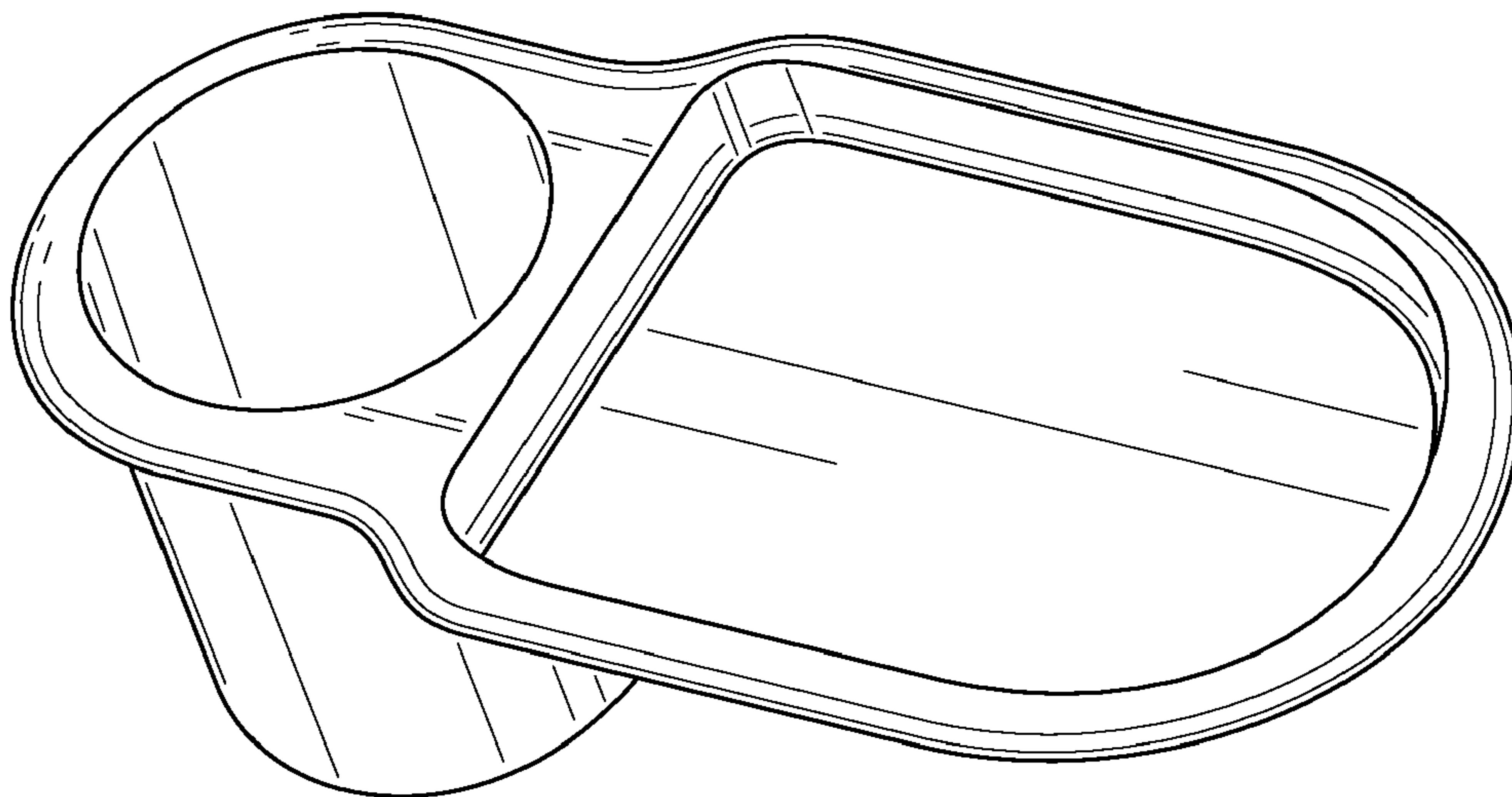
(57) **CLAIM**

The ornamental design for a cup holder with tray, as shown and described.

DESCRIPTION

FIG. 1 is a top perspective view of a cup holder with tray according to the present invention;
FIG. 2 is a top view thereof;
FIG. 3 is front perspective view thereof;
FIG. 4 is a side view thereof; and,
FIG. 5 is a bottom view thereof.

1 Claim, 3 Drawing Sheets



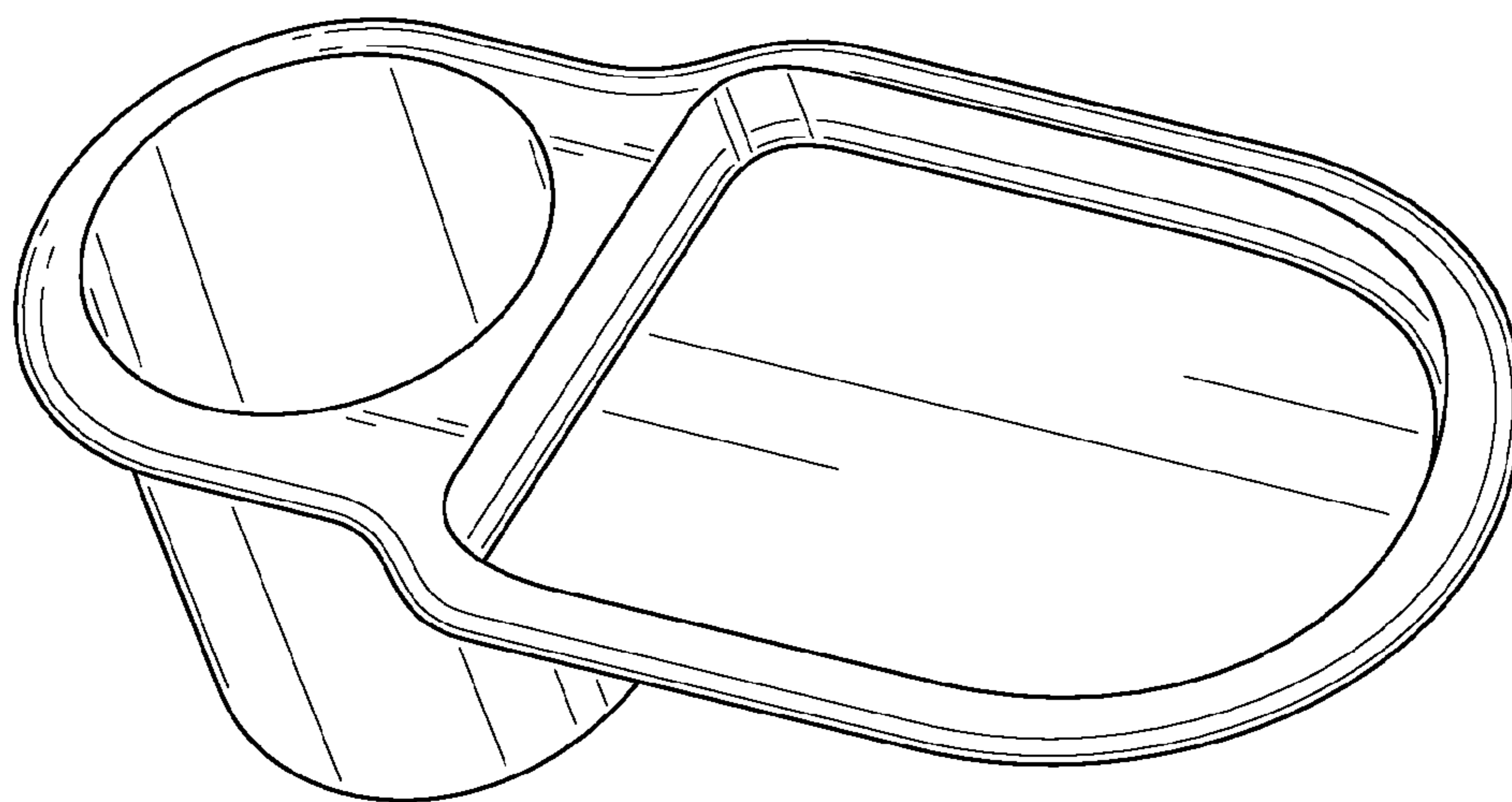


FIG. 1

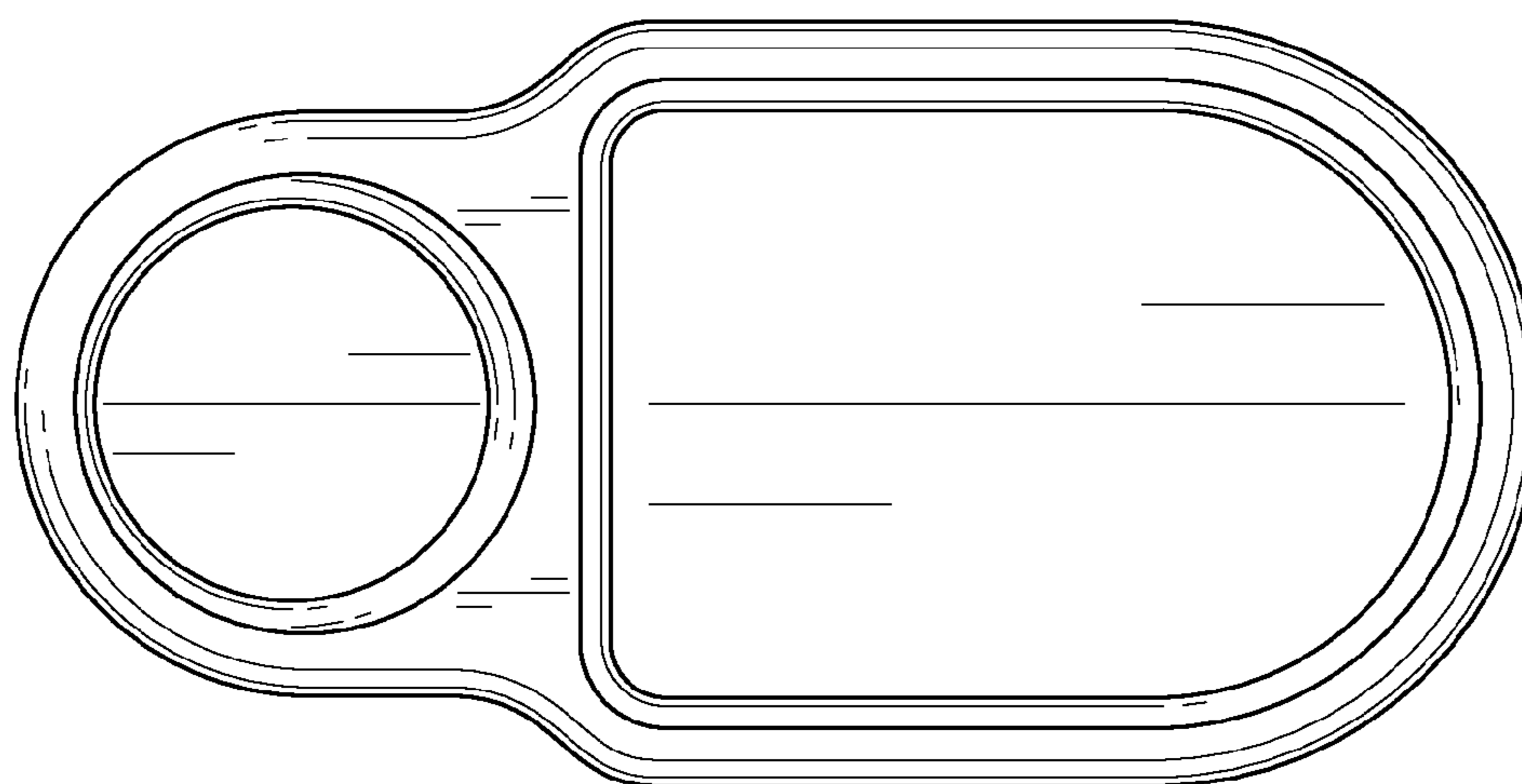


FIG. 2

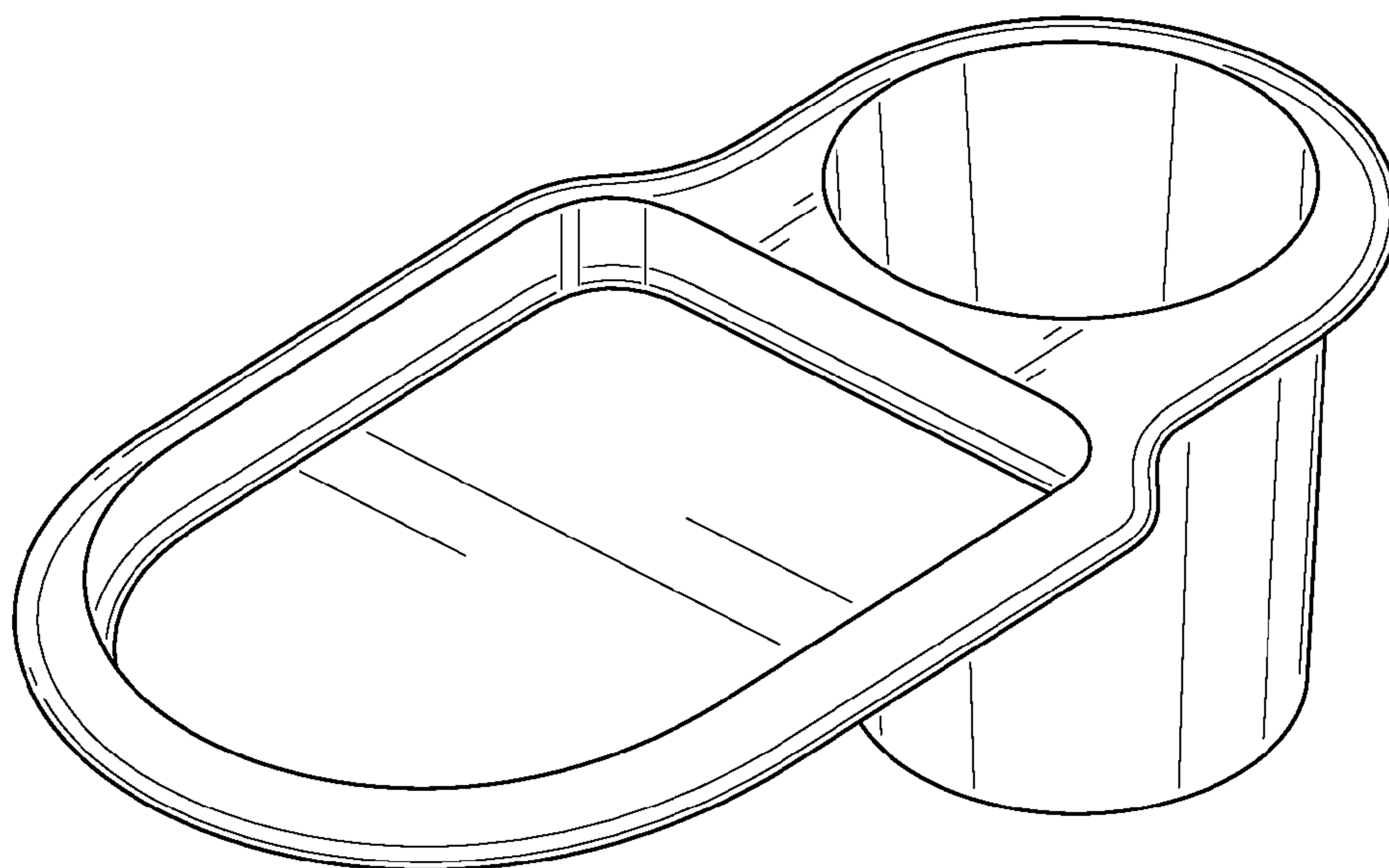


FIG. 3

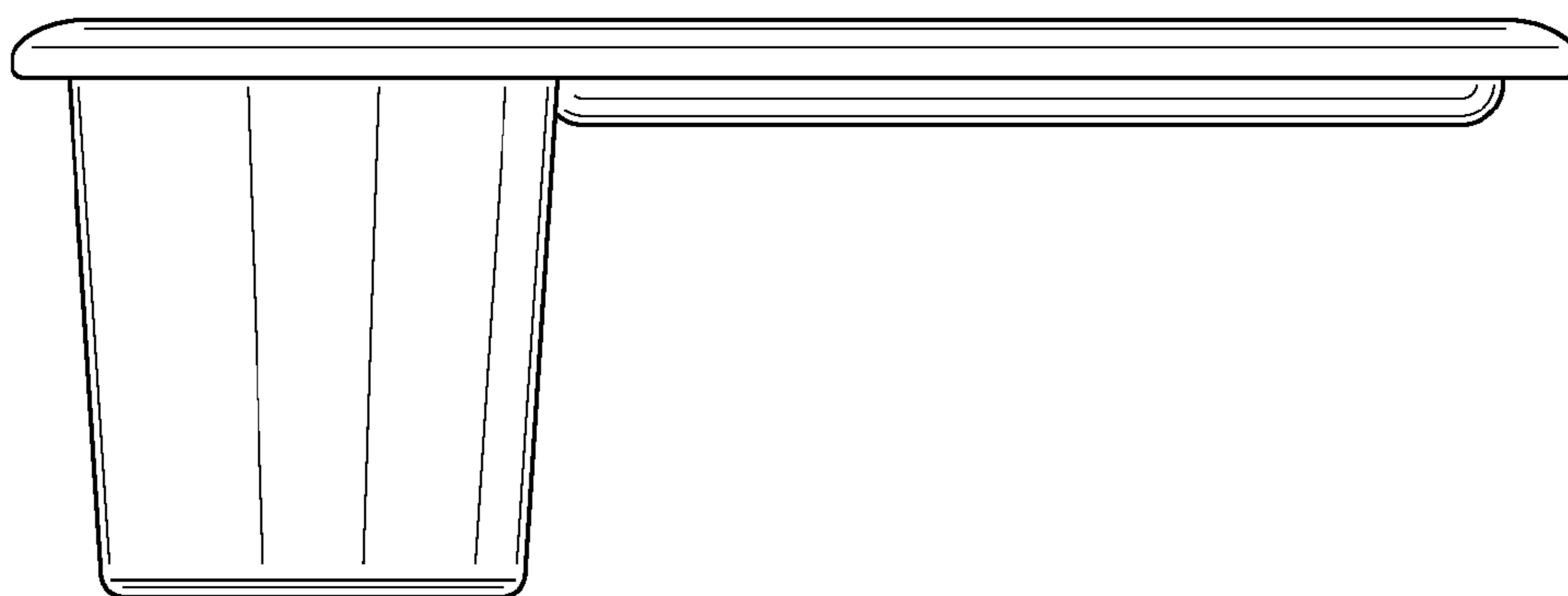


FIG. 4

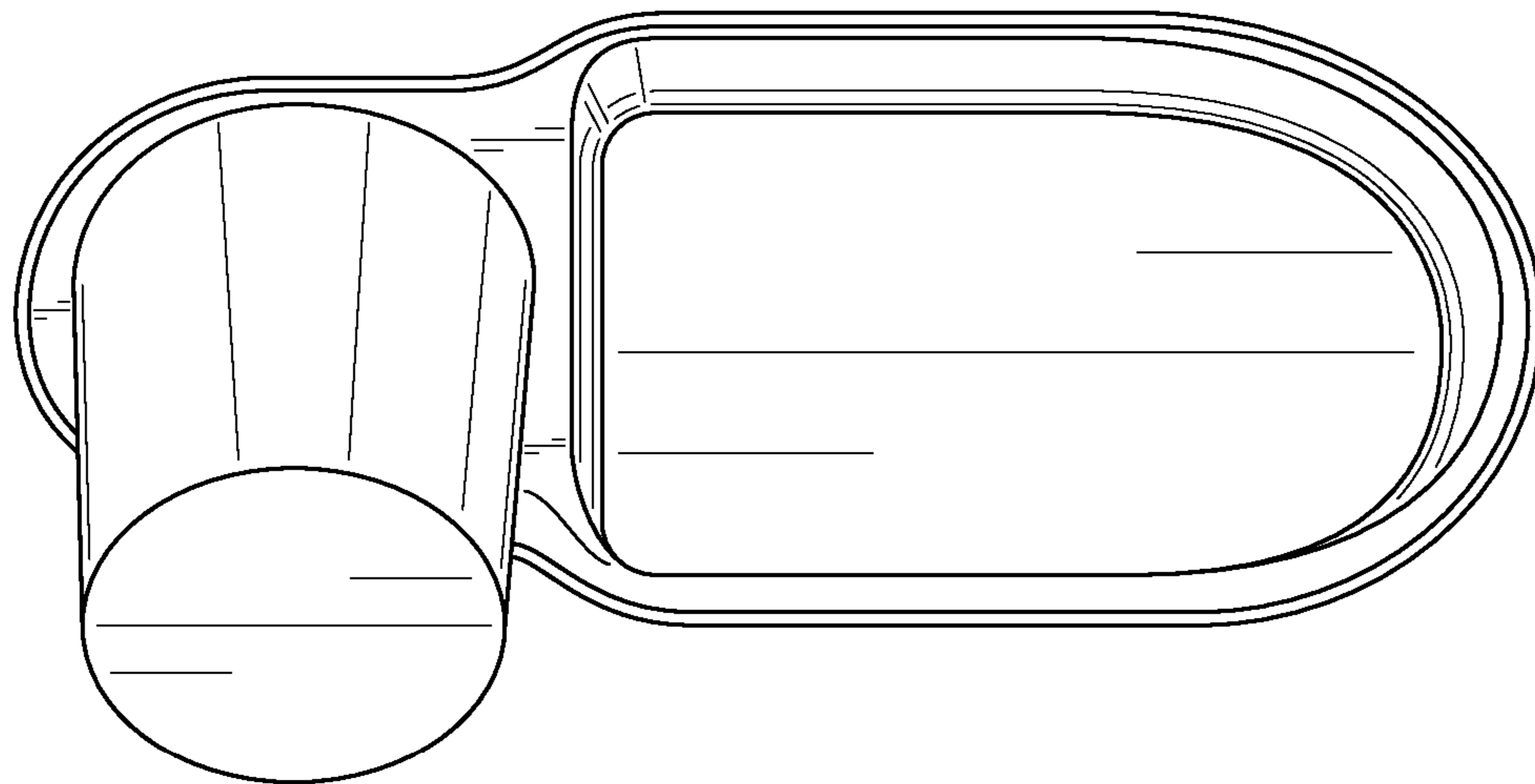


FIG. 5