



US00D655131S

(12) **United States Design Patent**
Nilsson

(10) **Patent No.:** **US D655,131 S**
(45) **Date of Patent:** **** Mar. 6, 2012**

(54) **LID FOR A SHAKER**

(76) Inventor: **Mikael Nilsson, Västerås (SE)**

(**) Term: **14 Years**

(21) Appl. No.: **29/401,619**

(22) Filed: **Sep. 13, 2011**

Related U.S. Application Data

(62) Division of application No. 29/375,518, filed on Sep. 23, 2010, now Pat. No. Des. 646,919.

(30) **Foreign Application Priority Data**

Sep. 10, 2010 (EP) 001753609-0001
Sep. 10, 2010 (EP) 001753609-0002
Sep. 10, 2010 (EP) 001763609-0003

(51) **LOC (9) Cl.** **07-01**

(52) **U.S. Cl.** **D7/392.1; D7/900; D7/396.2; D9/446**

(58) **Field of Classification Search** D7/510, D7/511, 509.523, 534, 531, 300.1, 900, 392.1, D7/396.2; 220/705, 710; 215/388, 11.1, 215/11.6, 384; D24/197; 222/129; D10/46.2; D9/447, 449, 453, 445, 446

See application file for complete search history.

(56) **References Cited**

U.S. PATENT DOCUMENTS

3,820,692 A * 6/1974 Swett et al. 222/547
D233,116 S * 10/1974 Swett et al. D7/300.1
D251,612 S * 4/1979 Lagergren et al. D24/197
D314,431 S * 2/1991 Bielefeldt D24/197
D330,862 S * 11/1992 Shibley et al. D10/46.2
D382,968 S * 8/1997 Giles et al. D24/197
D421,547 S * 3/2000 Demers D7/510

D438,298 S * 2/2001 McNutt D23/367
D490,272 S * 5/2004 Rohe D7/510
D510,235 S * 10/2005 Sorensen D7/510
D513,916 S * 1/2006 Namee D7/300.1
D552,929 S * 10/2007 de Groote D7/510
D565,353 S * 4/2008 Roth et al. D7/510
D580,227 S * 11/2008 Roth et al. D7/510
D597,365 S * 8/2009 Oas D7/300.1
D620,355 S * 7/2010 Nardini D9/443
D621,220 S * 8/2010 Lown et al. D7/510
D627,598 S * 11/2010 Boonprasop D7/509
D628,483 S * 12/2010 McKinney et al. D9/449
D632,133 S * 2/2011 Giraud et al. D7/510
D632,918 S * 2/2011 Gordon D7/300.1
D634,160 S * 3/2011 Cetera D7/510
D634,161 S * 3/2011 Roth et al. D7/510
D644,065 S * 8/2011 Llerena D7/510
D646,919 S * 10/2011 Nilsson D7/300.1

FOREIGN PATENT DOCUMENTS

EM 001617416-0001 1/2010

* cited by examiner

Primary Examiner — Marianne Pandozzi

(74) *Attorney, Agent, or Firm* — Dilworth & Barrese, LLP.

(57) **CLAIM**

The ornamental design for a lid for a shaker, as shown and described.

DESCRIPTION

FIG. 1 is a top front, right perspective view of a lid for a shaker showing my new design;

FIG. 2 is a front elevational view thereof;

FIG. 3 is a rear elevational view thereof;

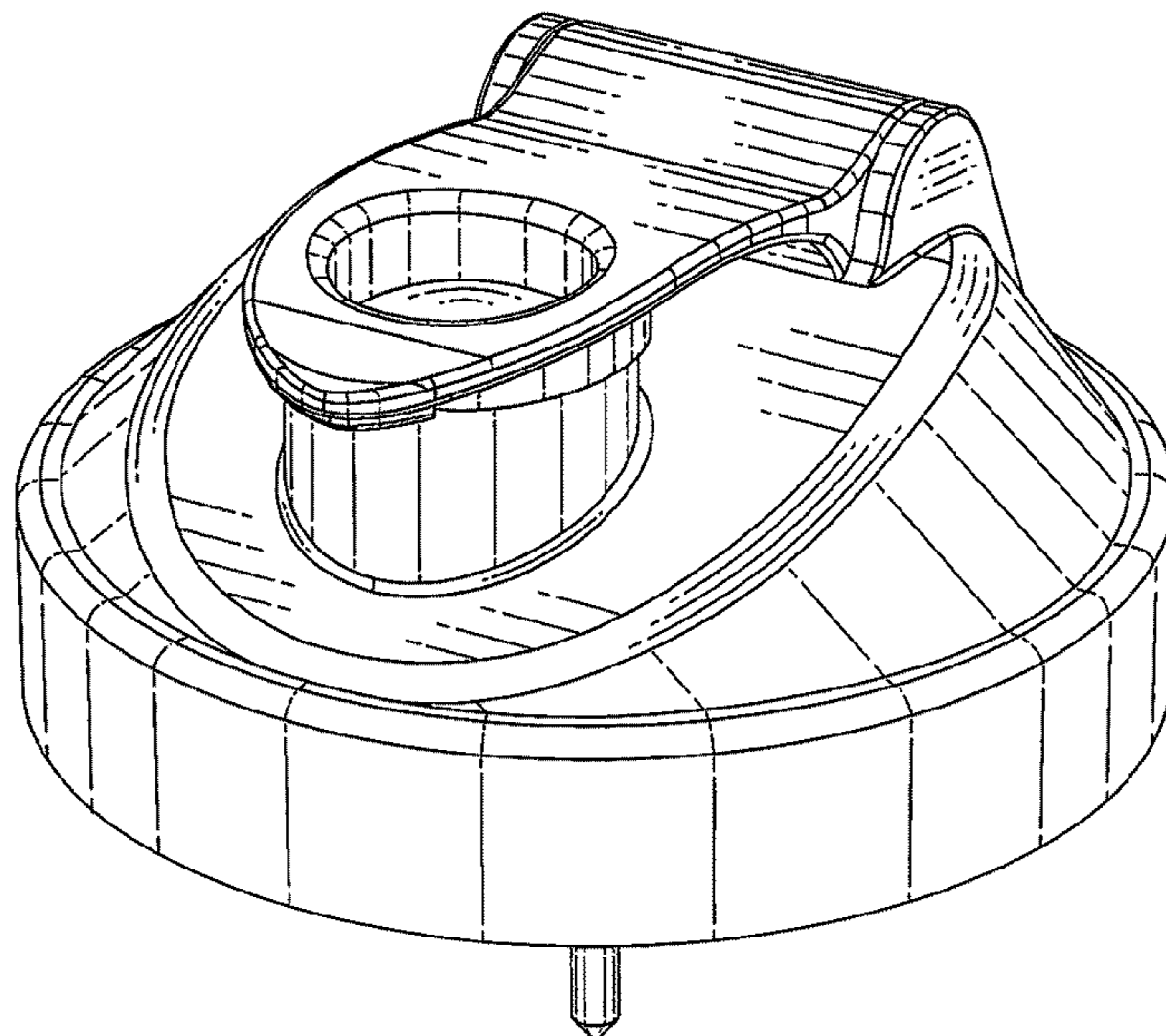
FIG. 4 is a top plan view thereof;

FIG. 5 is a bottom plan view thereof;

FIG. 6 is a right side elevational view thereof; and,

FIG. 7 is a left side elevational view thereof.

1 Claim, 5 Drawing Sheets



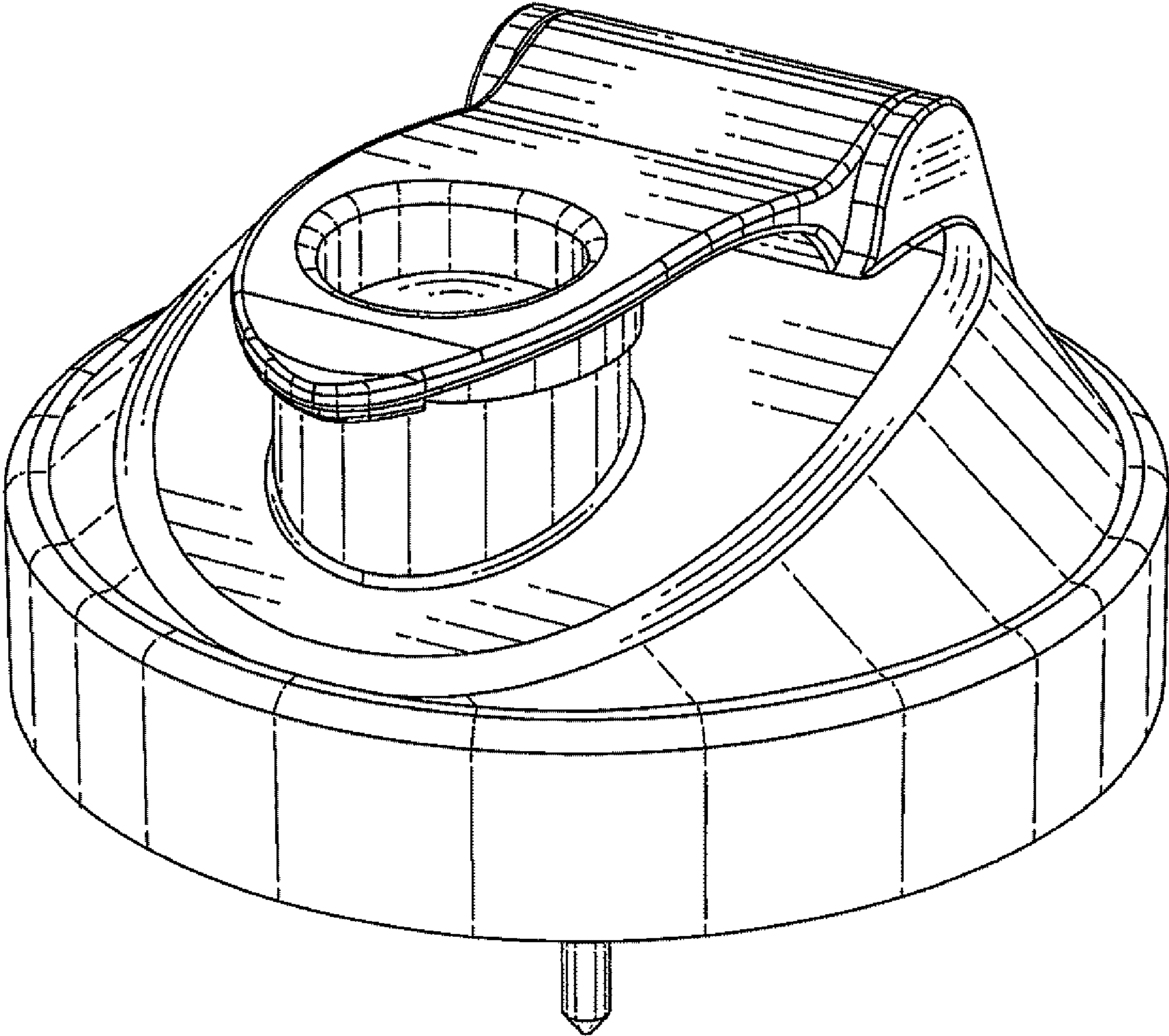


Fig. 1

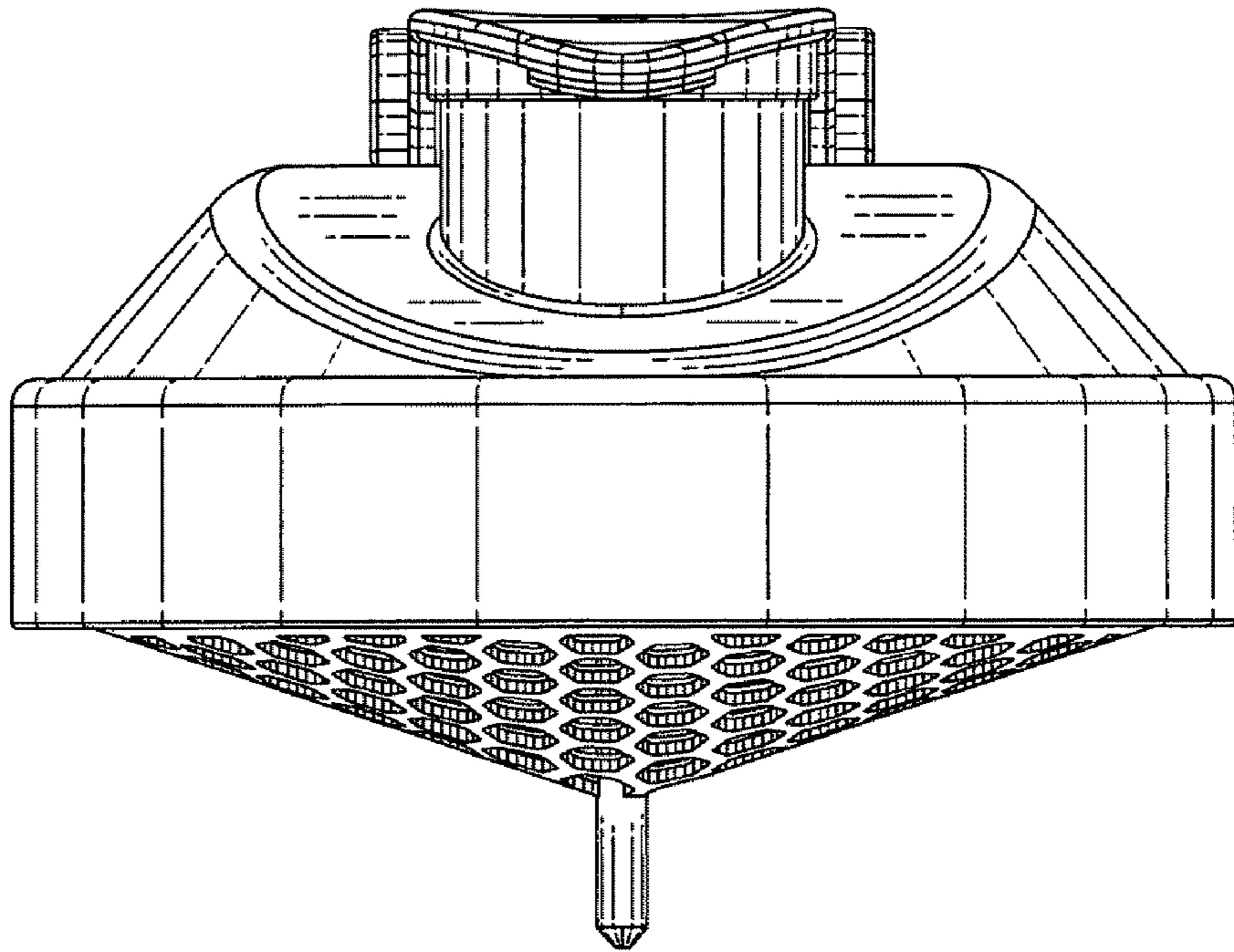


Fig. 2

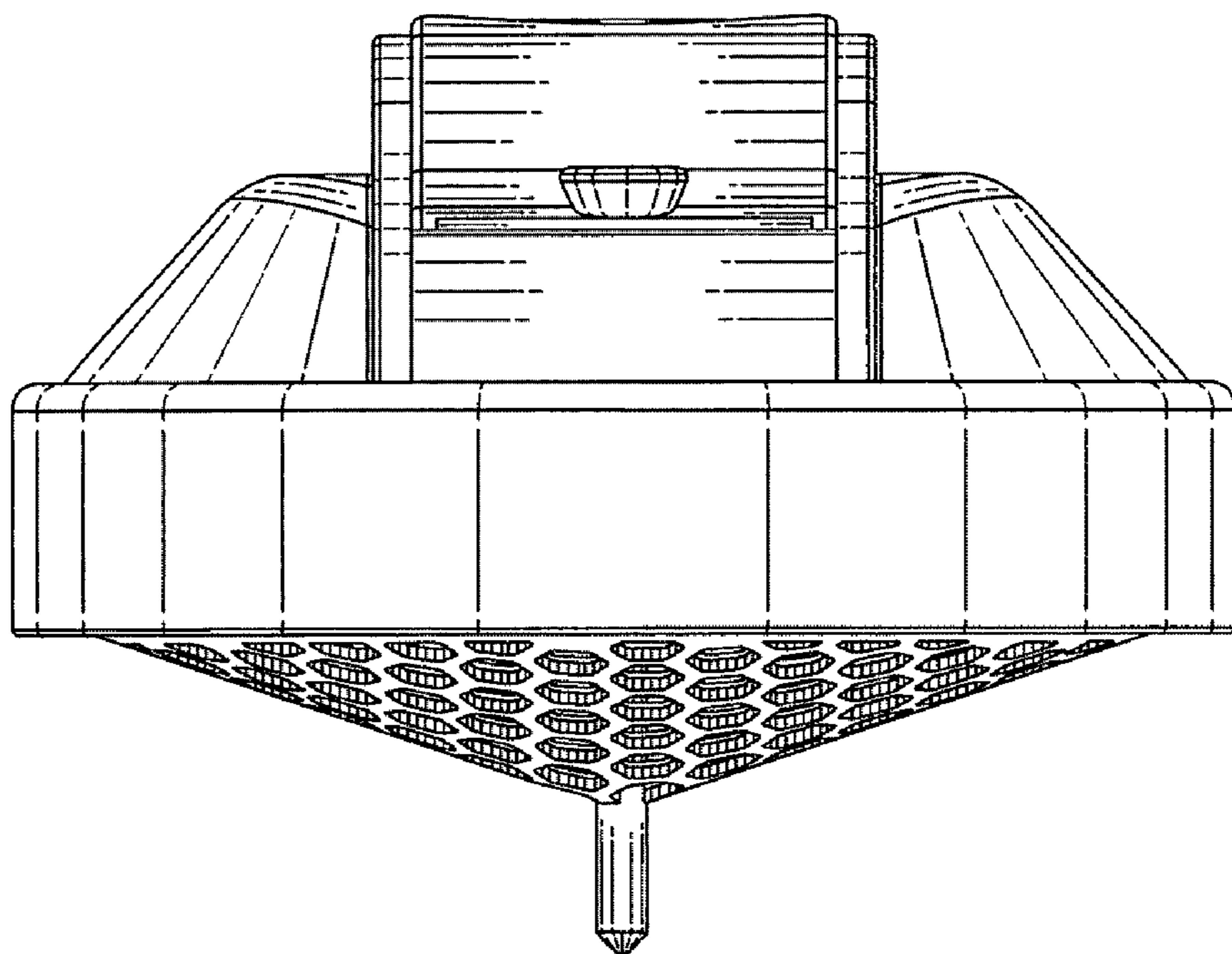


Fig. 3

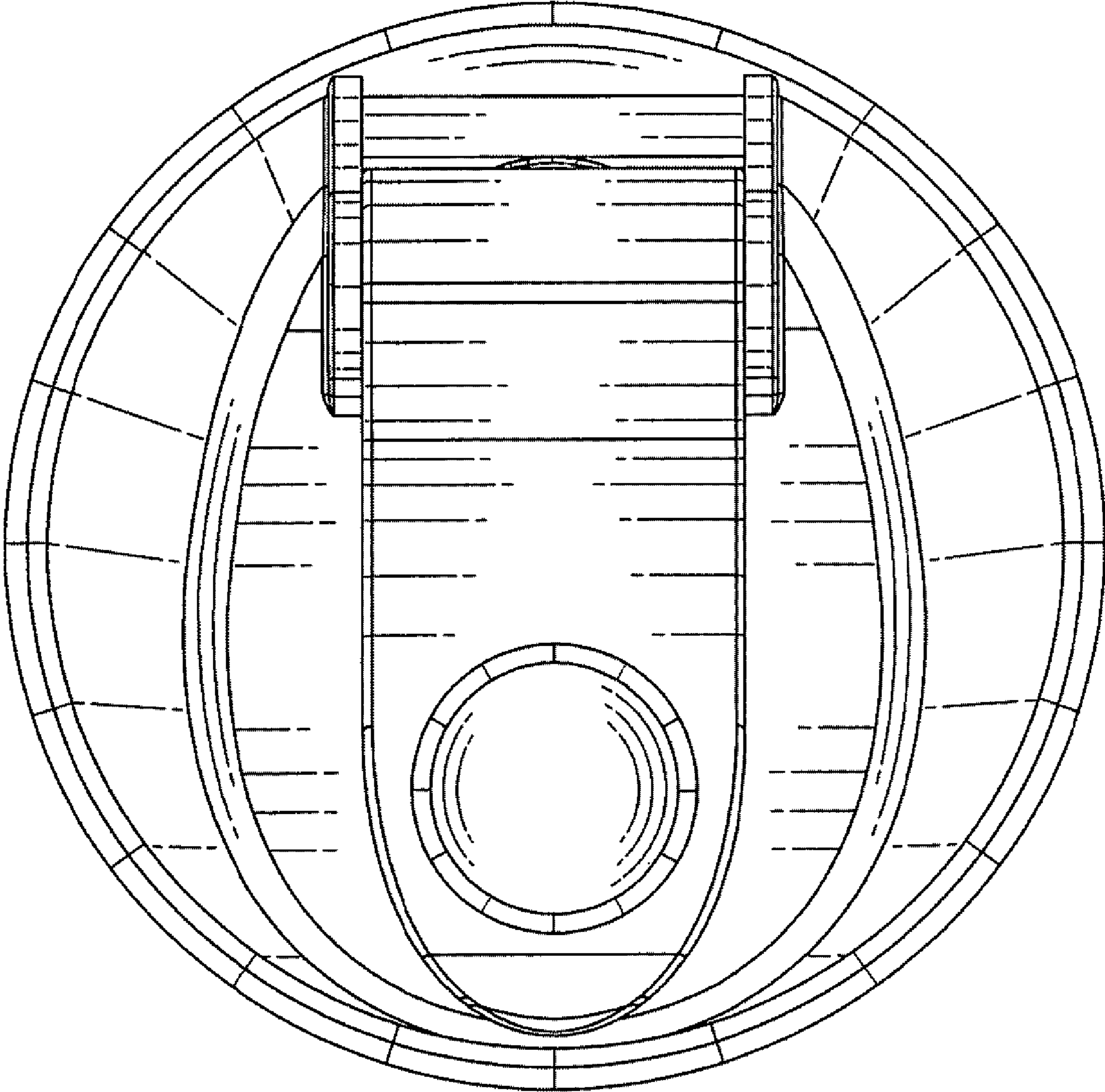


Fig.4

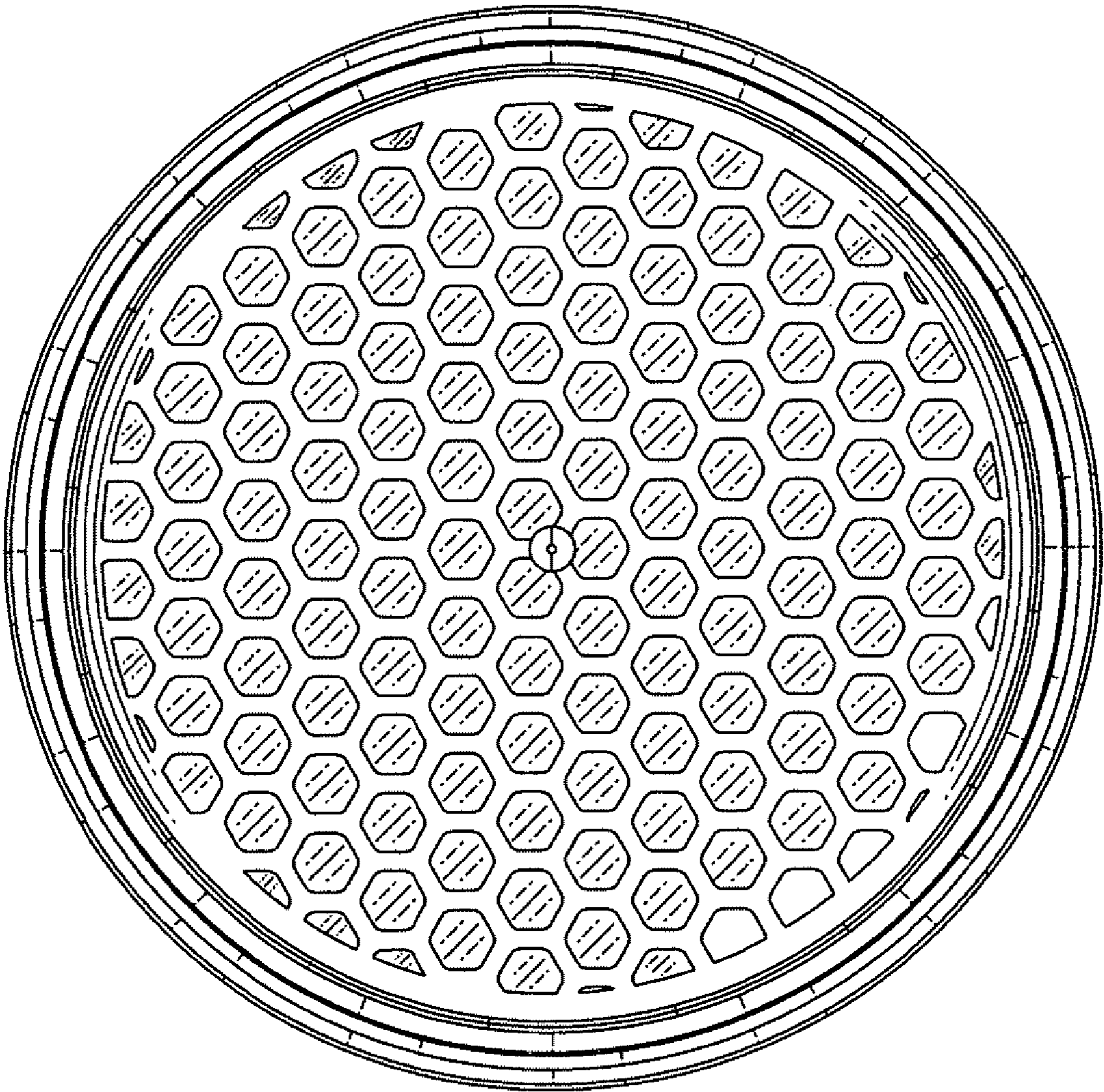


Fig.5

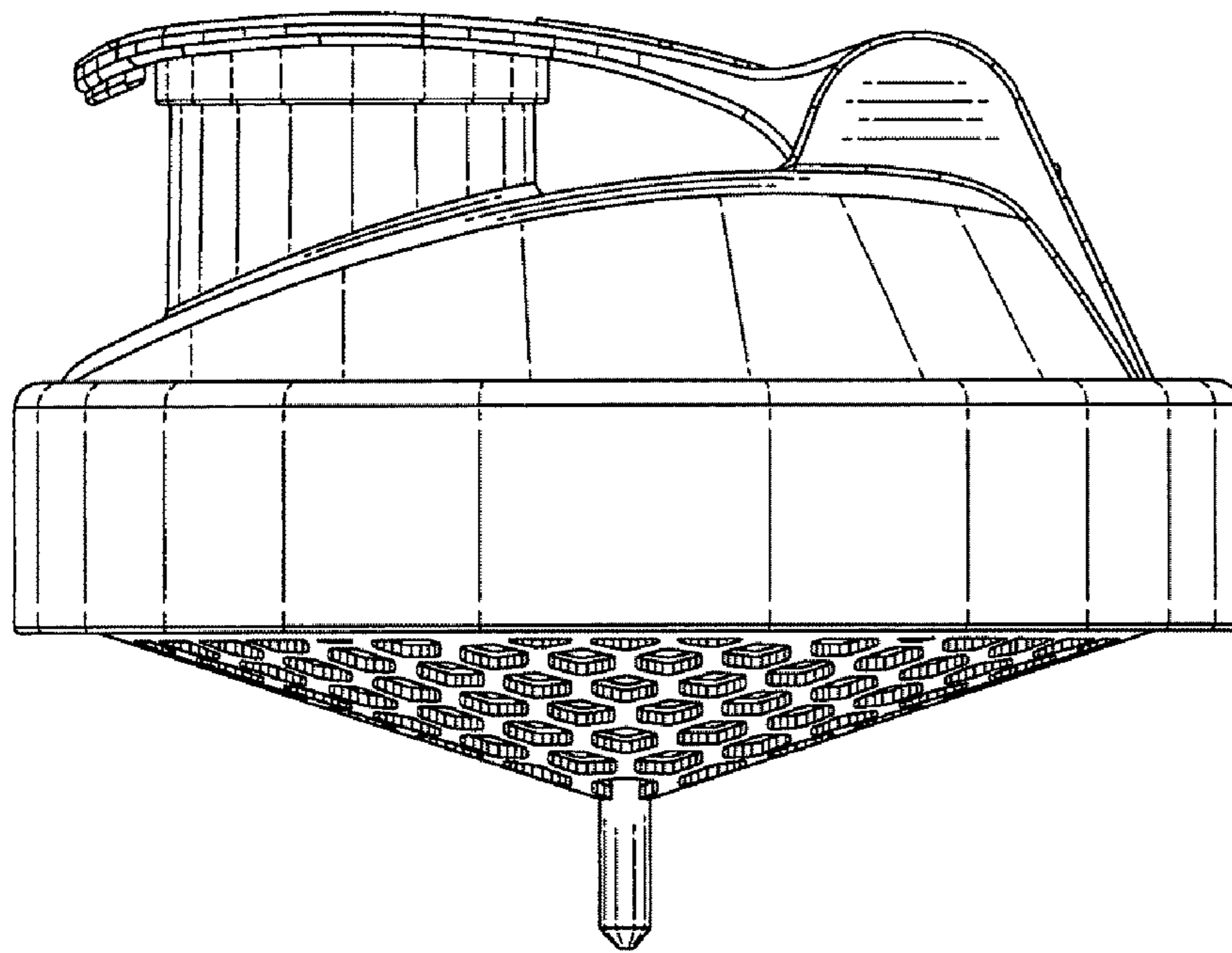


Fig. 6

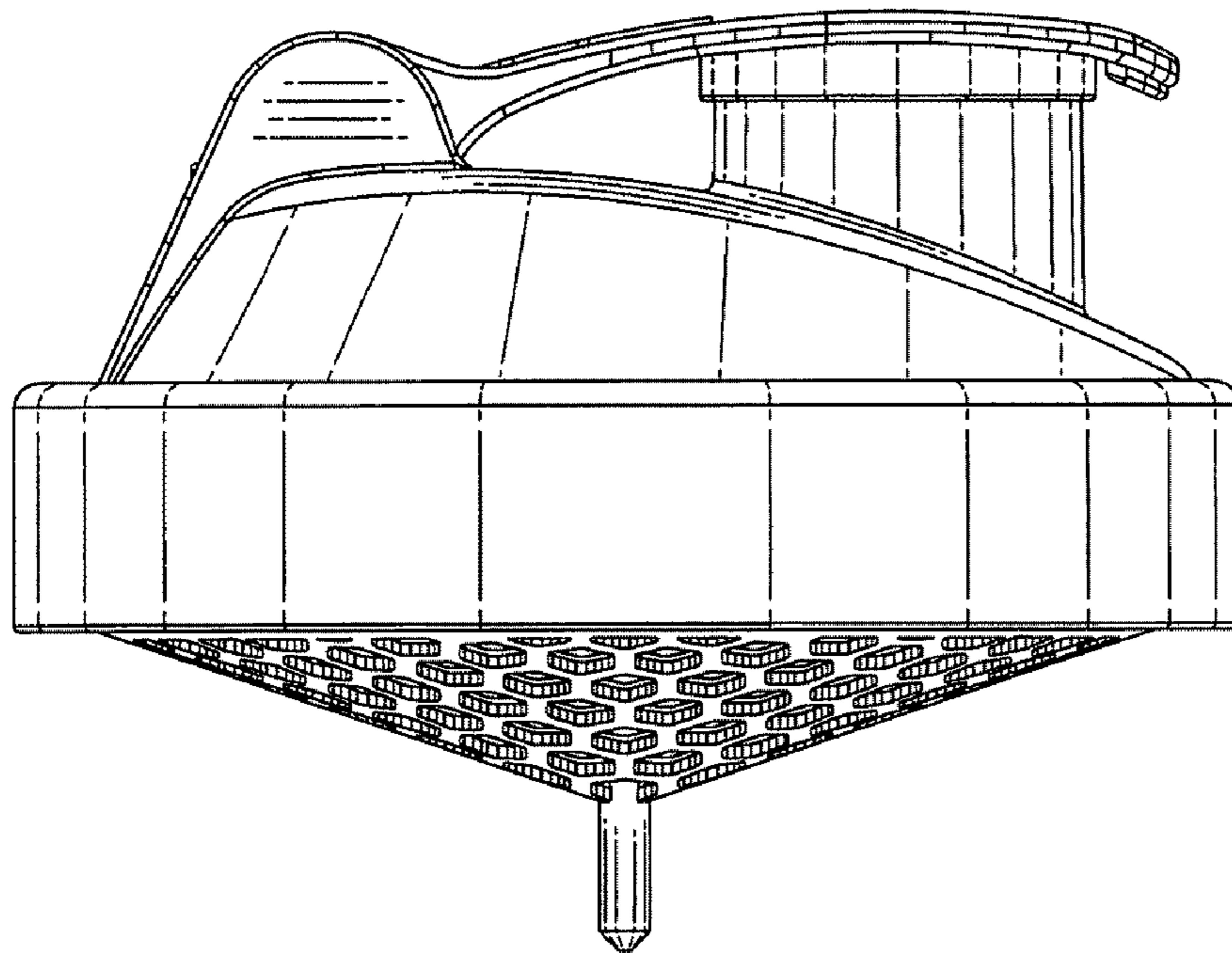


Fig. 7