



US00D655130S

(12) **United States Design Patent**
Sarnoff et al.

(10) **Patent No.:** **US D655,130 S**
(45) **Date of Patent:** **** Mar. 6, 2012**

(54) **DRIP PAN**

(75) Inventors: **Norton Sarnoff**, Northbrook, IL (US);
Raj Patel, Zurich, IL (US)

(73) Assignee: **Handi-Foil Corporation**, Wheeling, IL
(US)

(**) Term: **14 Years**

(21) Appl. No.: **29/402,818**

(22) Filed: **Sep. 28, 2011**

Related U.S. Application Data

(62) Division of application No. 29/377,895, filed on Oct.
27, 2010, now Pat. No. Des. 651,043.

(51) **LOC (9) Cl.** **07-02**

(52) **U.S. Cl.** **D7/354**

(58) **Field of Classification Search** D3/323;

D6/511; D7/323, 329–332, 337, 339, 346–347,
D7/350.1–350.4, 354–363, 391, 393, 395,
D7/402, 408–409, 417, 505, 538, 542, 549,
D7/587, 624.1, 667, 672, 675, 701; D9/420,
D9/715, 757–758; D32/57; 52/392; 99/324–325,
99/331–332, 337–340, 396, 400–418, 425,
99/444–446, 450; 126/9 R, 25 A, 25 R, 39 J,
126/41 R, 166, 261, 275 R, 332, 380.1, 390.1;
206/501–505, 507–508, 778; 219/400, 405,
219/435–442, 620–624, 725, 730–735; 220/485,
220/491, 573.1–573.5, 759, 912; 602/46

See application file for complete search history.

(56) **References Cited**

U.S. PATENT DOCUMENTS

D418,375	S	*	1/2000	Goodman et al.	D7/624.1
D444,950	S	*	7/2001	Hwang	D3/323
6,279,469	B1	*	8/2001	Bailey	99/450
D464,846	S	*	10/2002	Black	D7/359
6,718,714	B1	*	4/2004	Montgomery, Sr.	52/392
D513,150	S	*	12/2005	Asner	D7/354
D517,759	S	*	3/2006	Dretzka	D32/57
D532,249	S	*	11/2006	Logan	D7/354
7,223,899	B2	*	5/2007	Sigurjonsson	602/46
7,340,994	B2	*	3/2008	Bruno et al.	99/450
D569,676	S	*	5/2008	Millsap et al.	D7/354
D608,583	S	*	1/2010	Millsap et al.	D7/354
D634,570	S	*	3/2011	Lin	D6/511

* cited by examiner

Primary Examiner — Ricky Pham

(74) *Attorney, Agent, or Firm* — Adam K. Sacharoff

(57) **CLAIM**

The ornamental design for a drip pan, as shown and described.

DESCRIPTION

FIG. 1 is a top side perspective view of a drip pan in accordance with one embodiment of the invention shown; FIG. 2 is a left side view of the drip pan from FIG. 1; FIG. 3 is a right side view of the drip pan from FIG. 1; FIG. 4 is a front side view of the drip pan from FIG. 1; FIG. 5 is a back side view of the drip pan from FIG. 1; FIG. 6 is a top side view of the drip pan from FIG. 1; FIG. 7 is a bottom side view of the drip pan from FIG. 1; and, FIG. 8 is a bottom side perspective view of the drip pan from FIG. 1.

The broken lines showing are for the purpose of illustrating portions of the environmental structure and forms no part of the claimed design.

1 Claim, 5 Drawing Sheets

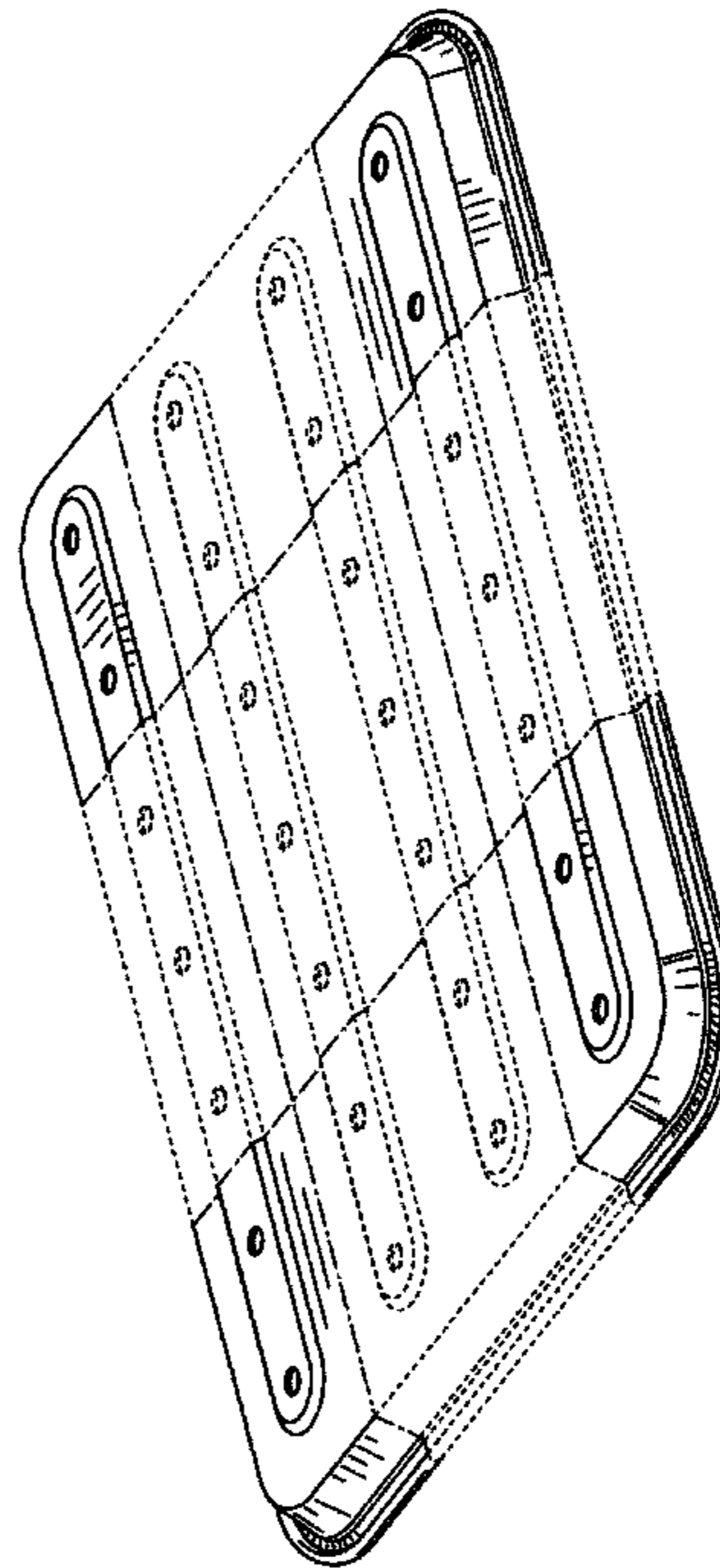
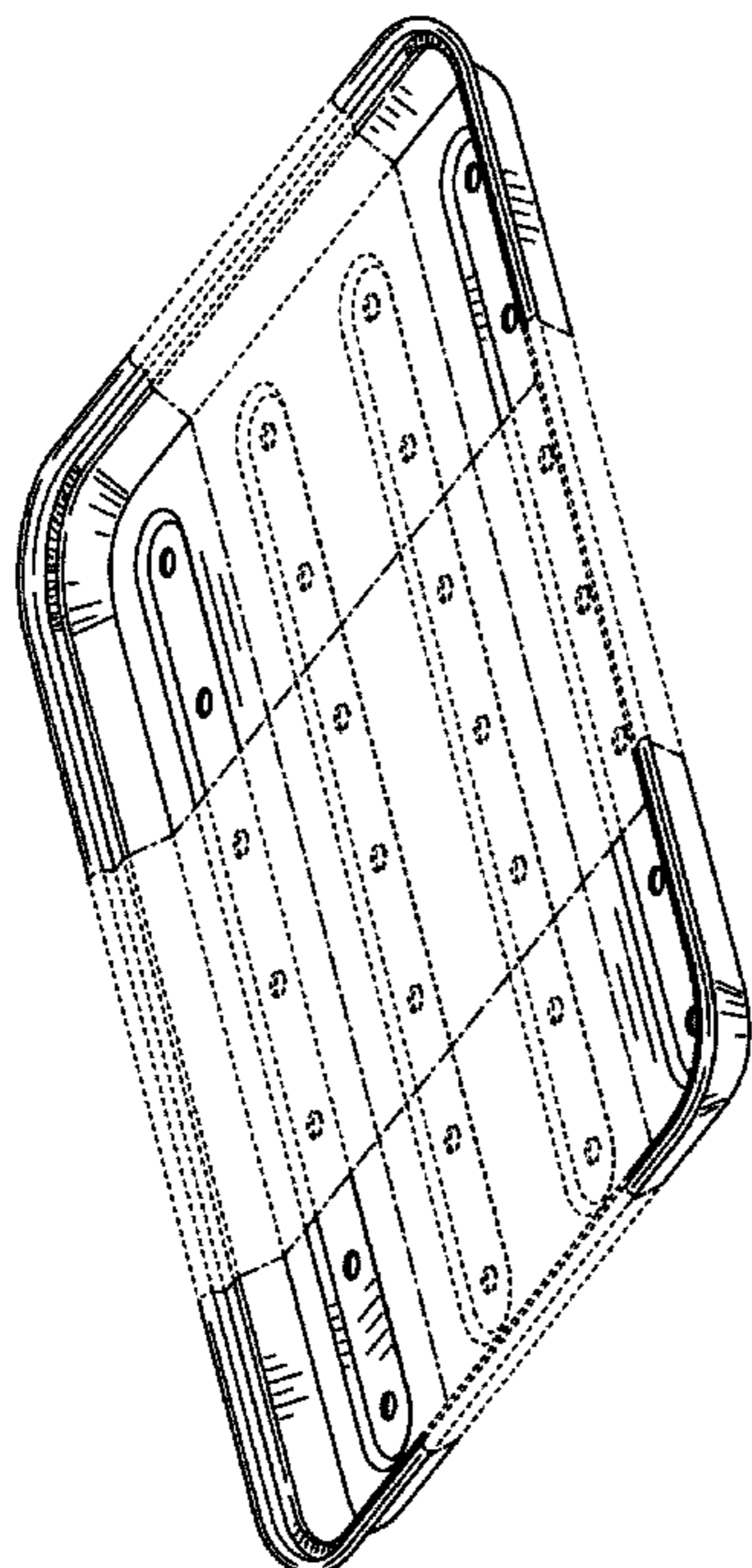


FIG. 1

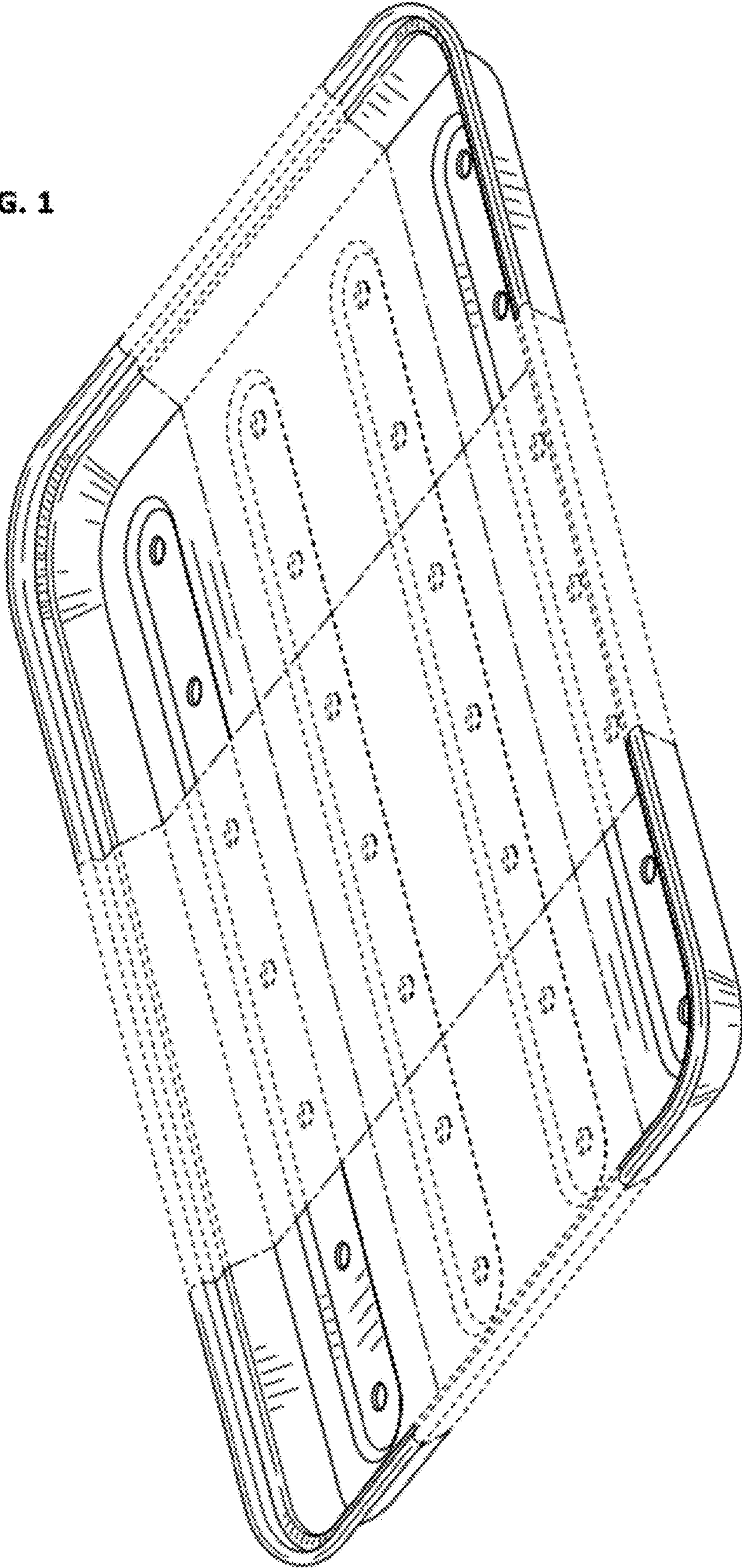




FIG. 2



FIG. 3

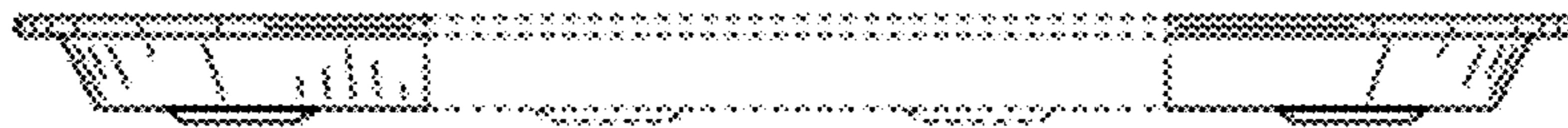


FIG. 4

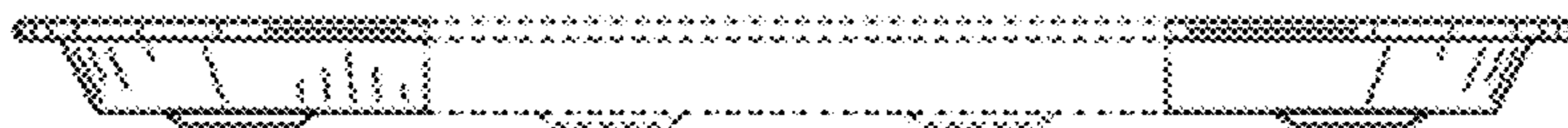


FIG. 5

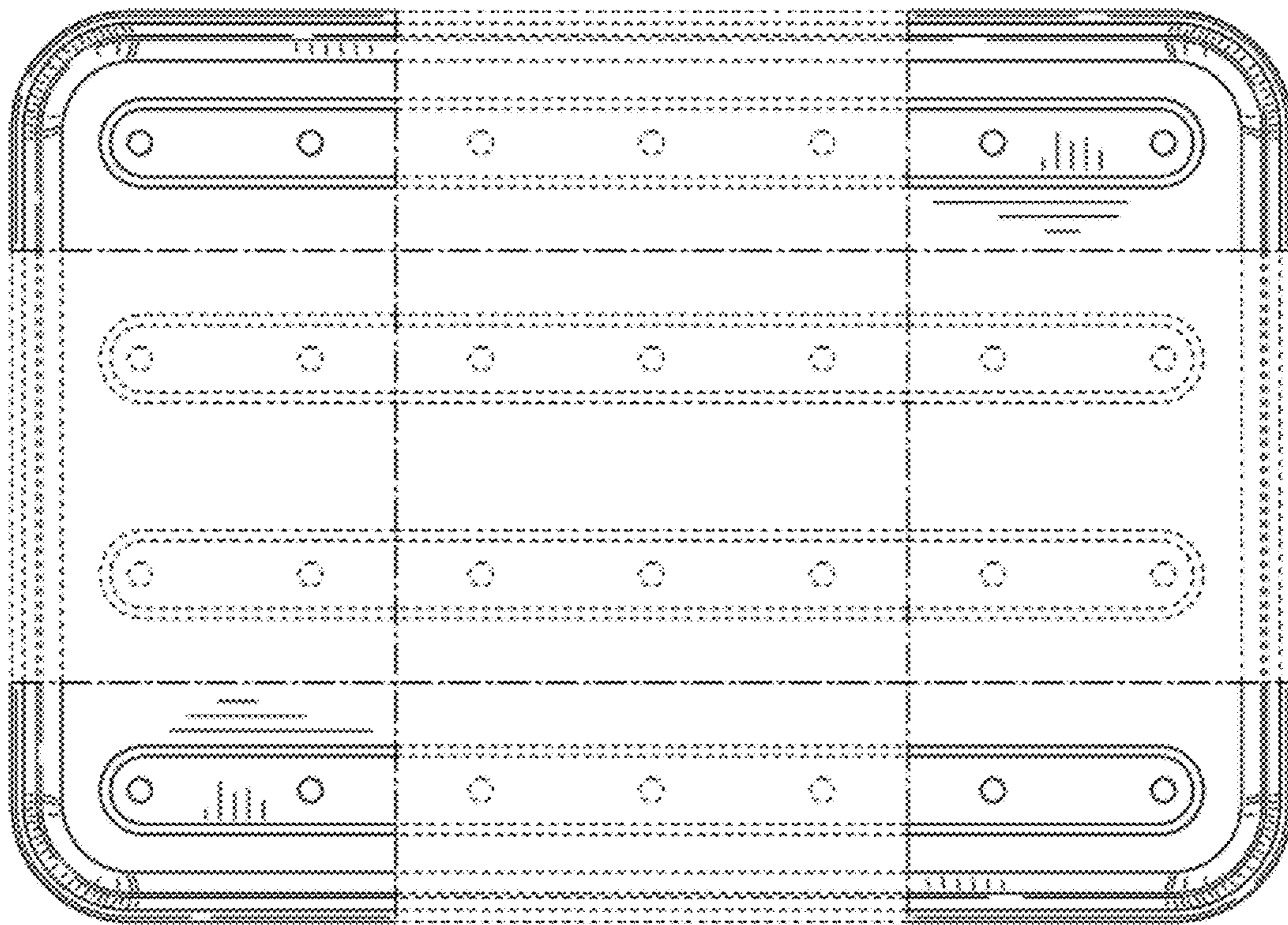


FIG. 6

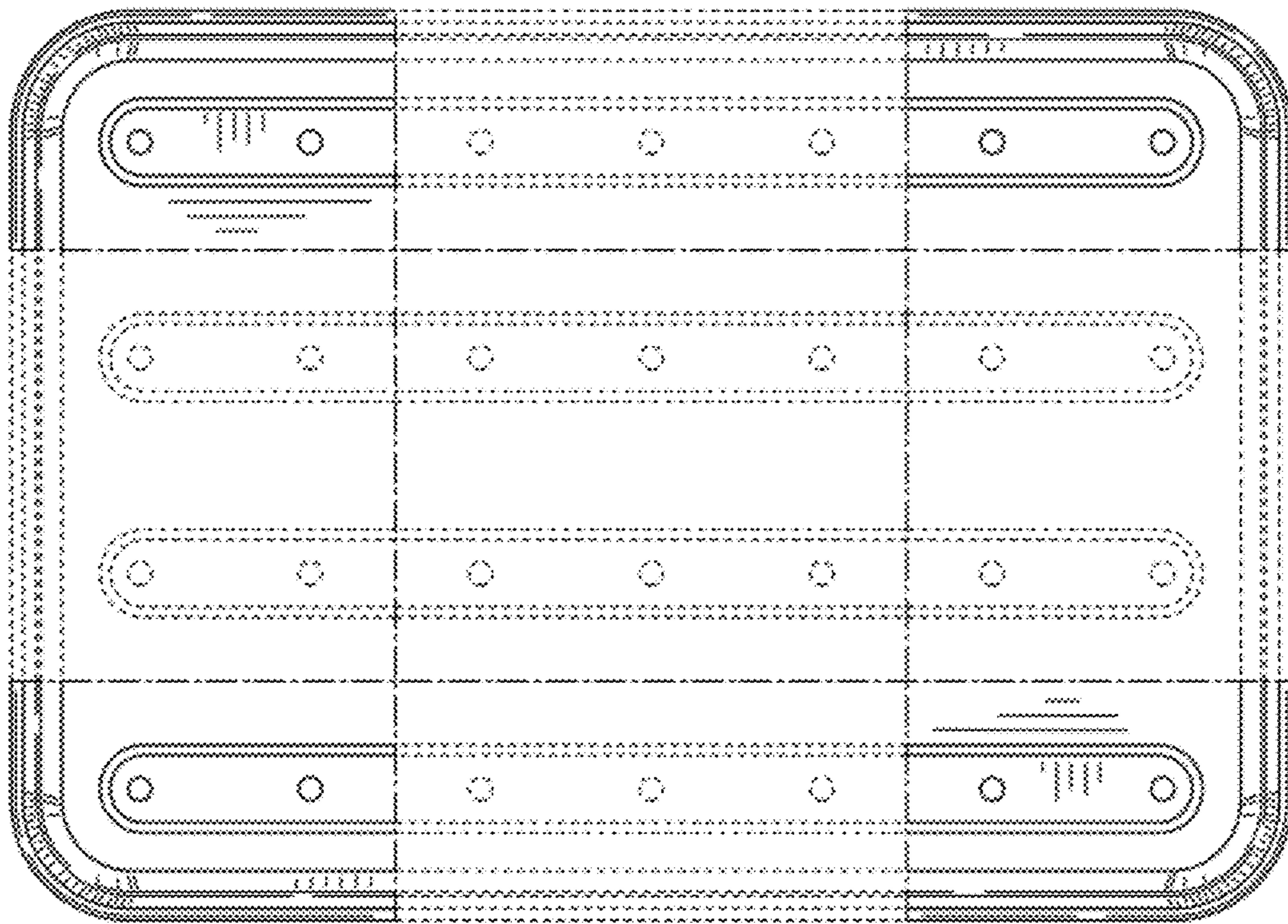


FIG. 7

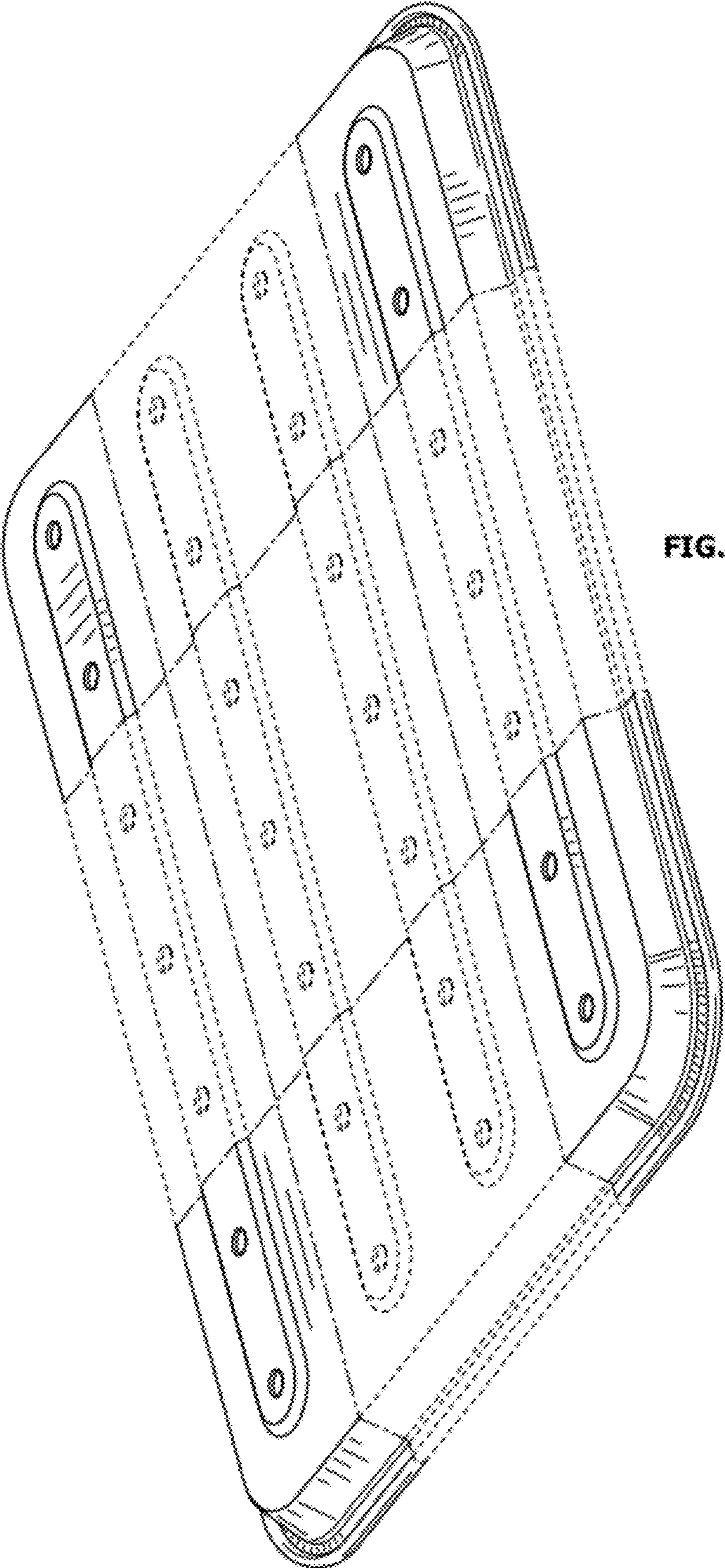


FIG. 8