



US00D655129S

(12) **United States Design Patent**
Gresko

(10) **Patent No.:** **US D655,129 S**
(45) **Date of Patent:** **** Mar. 6, 2012**

- (54) **TOASTER OVEN**
- (75) Inventor: **Jim Gresko**, Rochester, NY (US)
- (73) Assignee: **Hamilton Beach Brands, Inc.**, Glen Allen, VA (US)
- (**) Term: **14 Years**
- (21) Appl. No.: **29/383,389**
- (22) Filed: **Jan. 17, 2011**
- (51) **LOC (9) Cl.** **07-02**
- (52) **U.S. Cl.** **D7/350.1**
- (58) **Field of Classification Search** D7/350.1,
D7/350.3, 350.4, 351, 402, 403, 405, 406;
219/756, 757, 758, 391; 126/19 M, 21 A,
126/275 E; 99/352
See application file for complete search history.

- 7,122,765 B2 10/2006 Wong
- D540,613 S * 4/2007 Jeon D7/350.1
- D564,283 S 3/2008 Leung et al.
- D564,284 S 3/2008 Leung et al.
- D567,013 S * 4/2008 Choya D7/350.1
- D575,575 S 8/2008 Kim
- D575,979 S * 9/2008 Borin D7/350.1
- D585,235 S 1/2009 Tetreault et al.
- D586,180 S * 2/2009 Pino et al. D7/405
- D586,619 S 2/2009 Pino et al.
- D587,959 S * 3/2009 Hensel D7/350.1
- D602,306 S * 10/2009 Lavy D7/350.1
- D614,906 S * 5/2010 Fiorotto D7/350.1
- D615,804 S * 5/2010 Baek D7/351
- D621,202 S 8/2010 Pino et al.
- D625,557 S * 10/2010 Pino et al. D7/405
- D626,370 S 11/2010 Baek
- D638,249 S * 5/2011 Ryan et al. D7/350.1
- 2009/0107343 A1 * 4/2009 De'Longhi 99/352

* cited by examiner

Primary Examiner — Ruth McInroy
(74) *Attorney, Agent, or Firm* — Alexander D. Raring

(56) **References Cited**

U.S. PATENT DOCUMENTS

- D245,470 S 8/1977 Ernest
- D303,749 S 10/1989 Steinkamp
- D356,006 S 3/1995 Saimen et al.
- D380,643 S * 7/1997 Piret D7/350.4
- D386,938 S 12/1997 Piret
- D412,637 S 8/1999 Piret
- D415,926 S 11/1999 De'Longhi
- D420,245 S * 2/2000 De'Longhi D7/350.4
- D447,905 S 9/2001 Smith-Berry et al.
- D453,090 S 1/2002 Chen
- D461,091 S 8/2002 Chen
- D466,757 S 12/2002 Hsu
- D476,845 S 7/2003 Hsu
- D476,846 S 7/2003 Piret
- D481,582 S * 11/2003 Seum et al. D7/350.1
- D495,556 S * 9/2004 Milrud et al. D7/405
- D521,799 S * 5/2006 Ledingham et al. D7/350.1

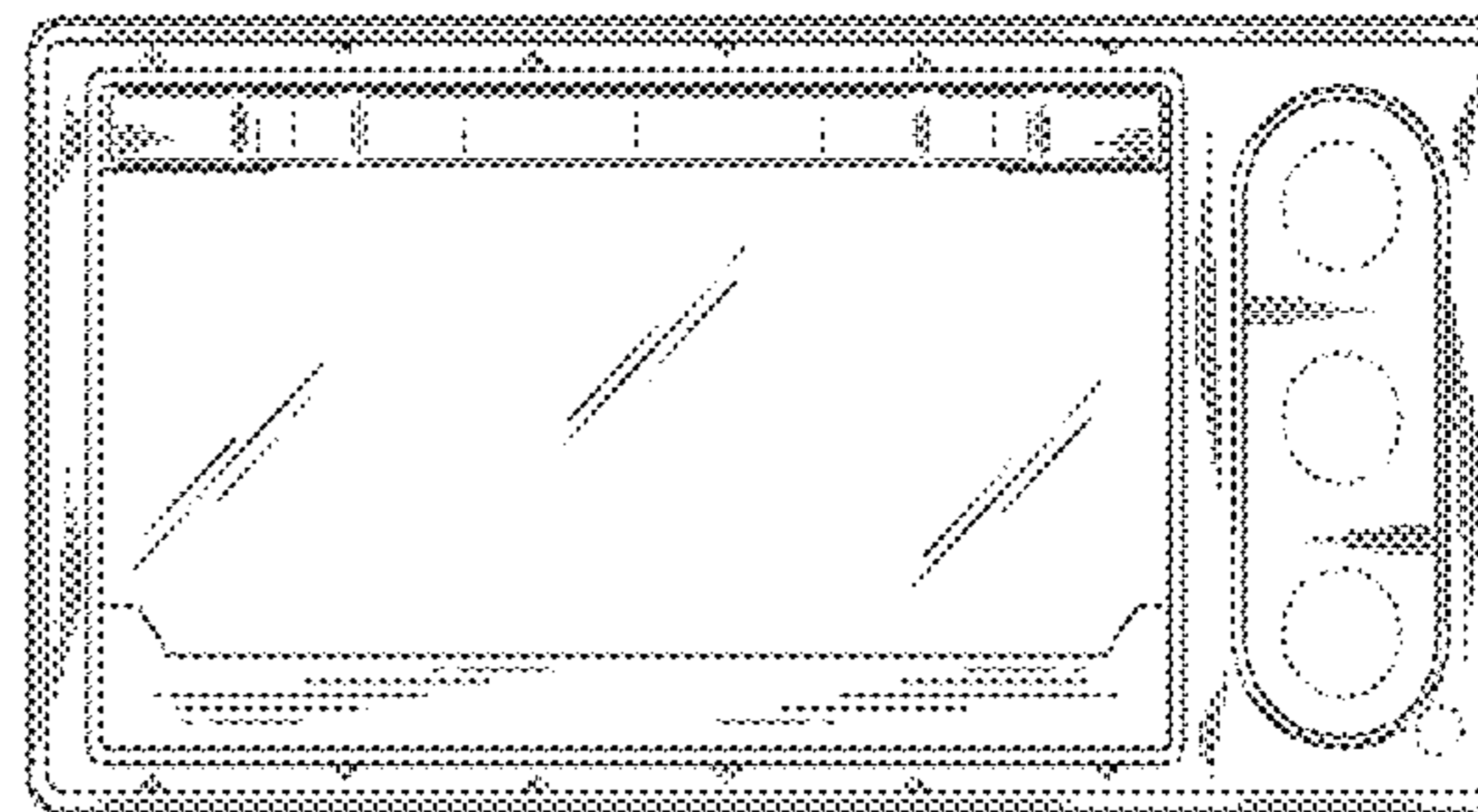
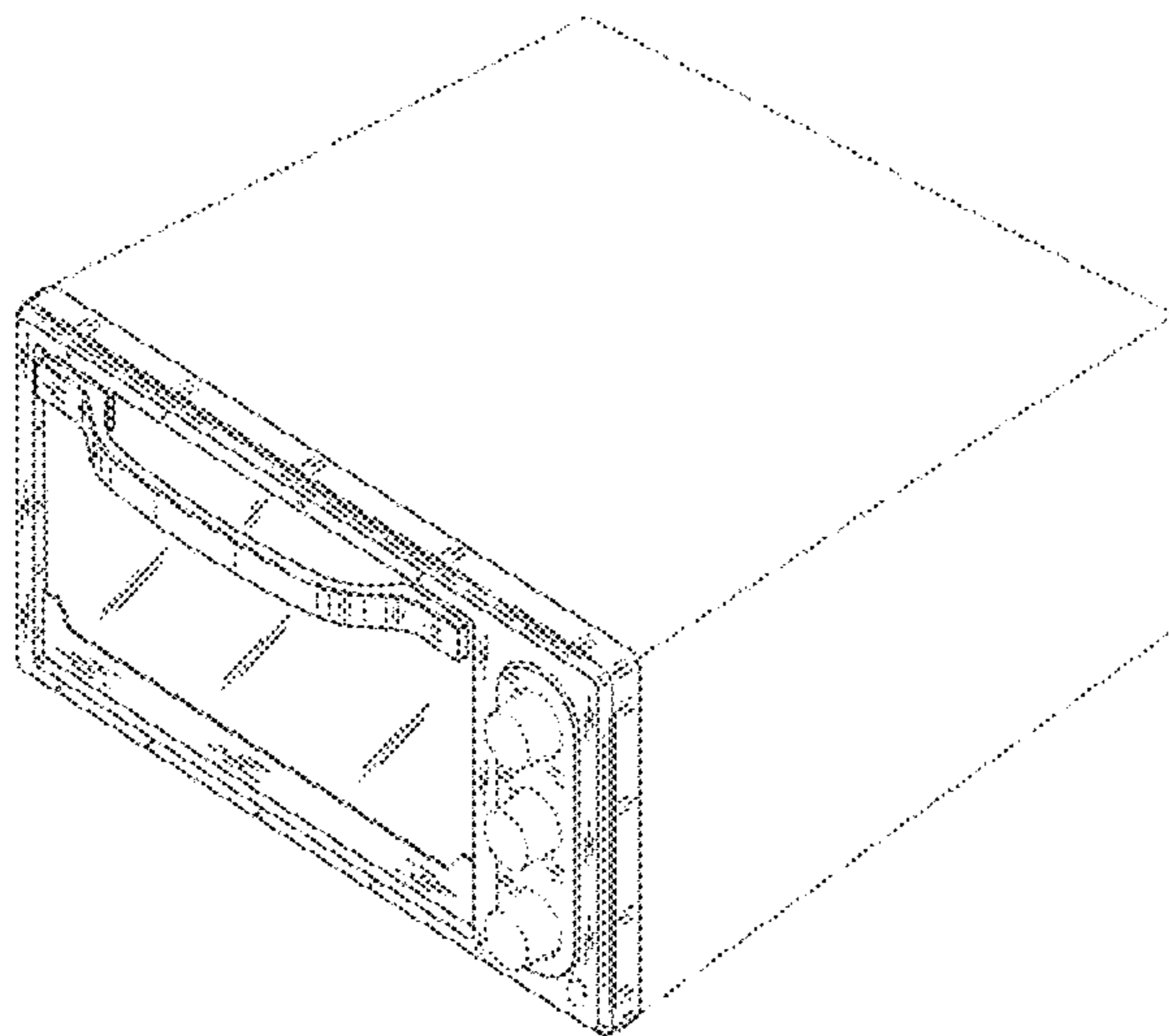
(57) **CLAIM**

I claim the ornamental design for a toaster oven, as shown and described.

DESCRIPTION

FIG. 1 is a perspective view as seen from the top, front and right side of a toaster oven showing the new design;
 FIG. 2 is a front view thereof;
 FIG. 3 is a right side view thereof;
 FIG. 4 is a left side view thereof;
 FIG. 5 is a top view thereof; and,
 FIG. 6 is a bottom view thereof.
 The broken lines in the drawings are included for illustrative purposes only and form no part of the claimed design.

1 Claim, 6 Drawing Sheets



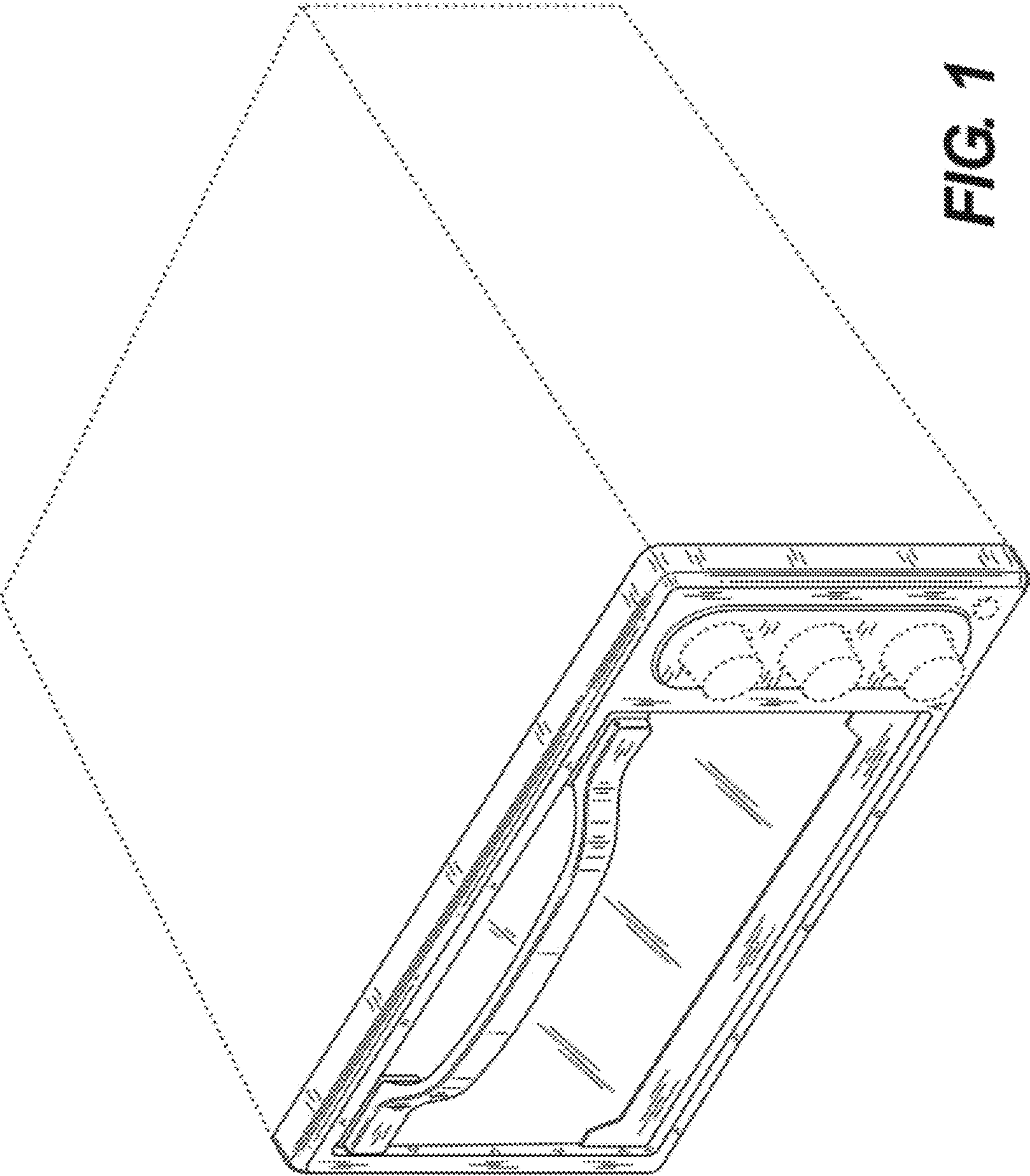


FIG. 1

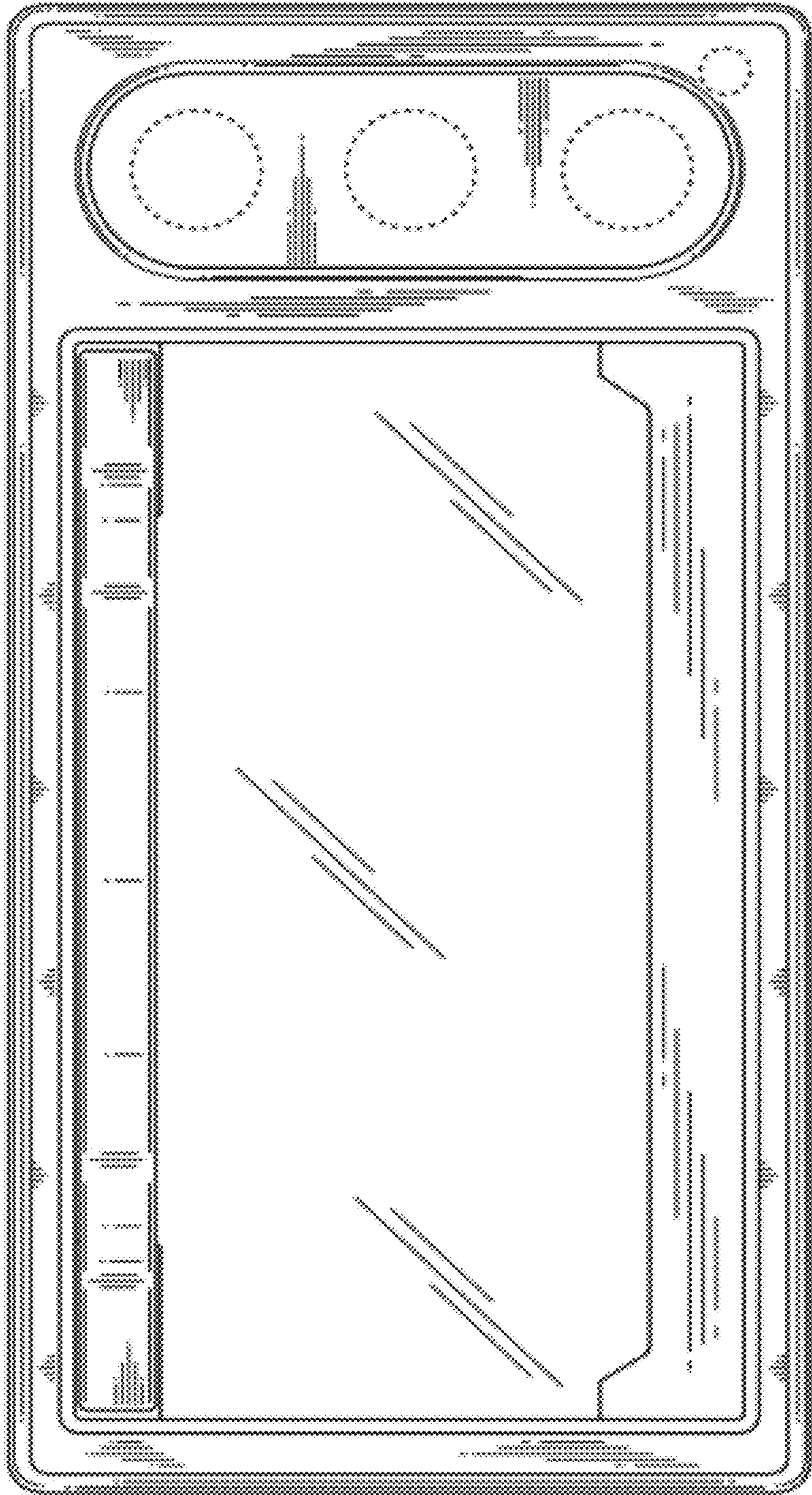


FIG. 2

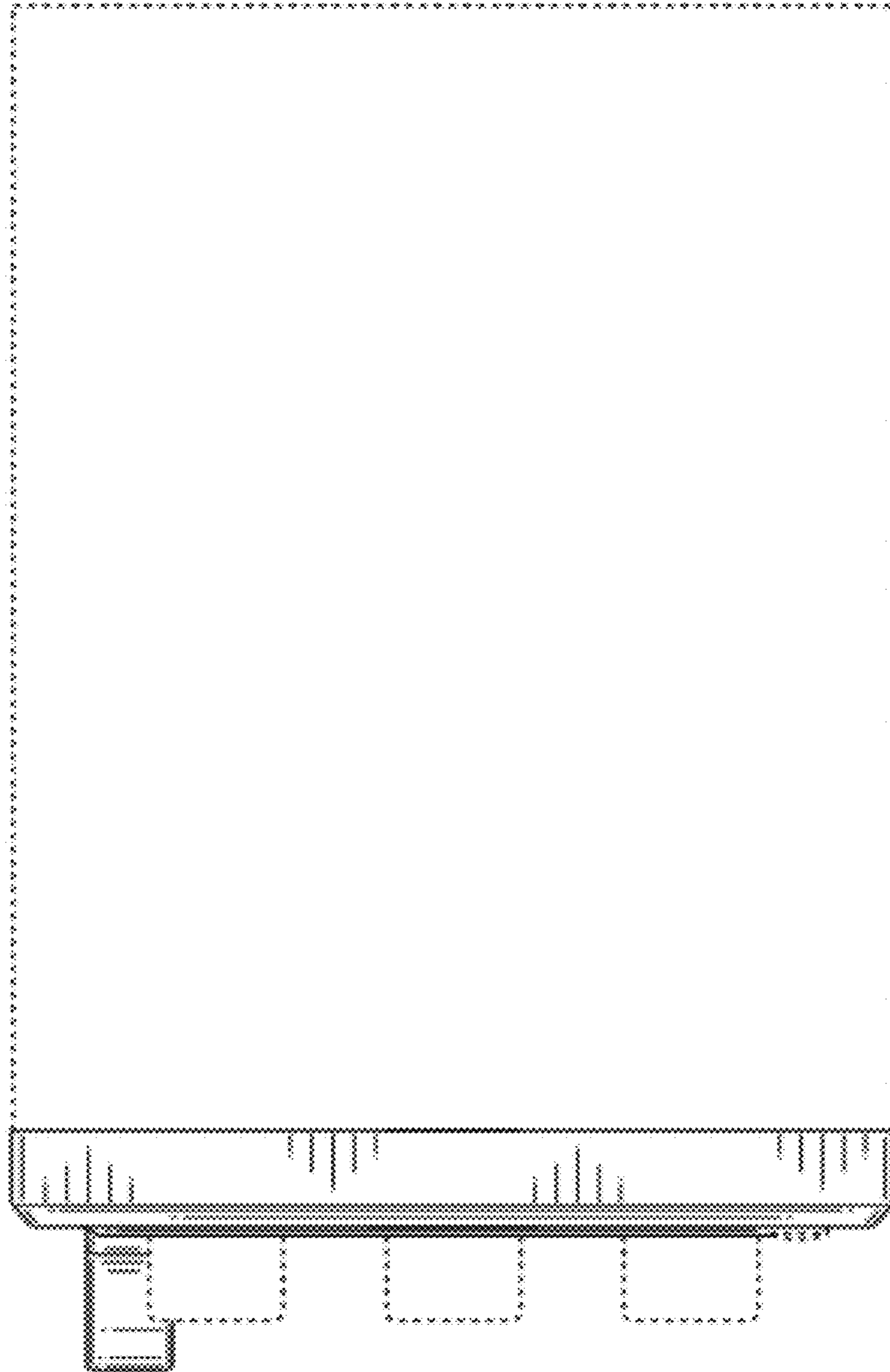


FIG. 3

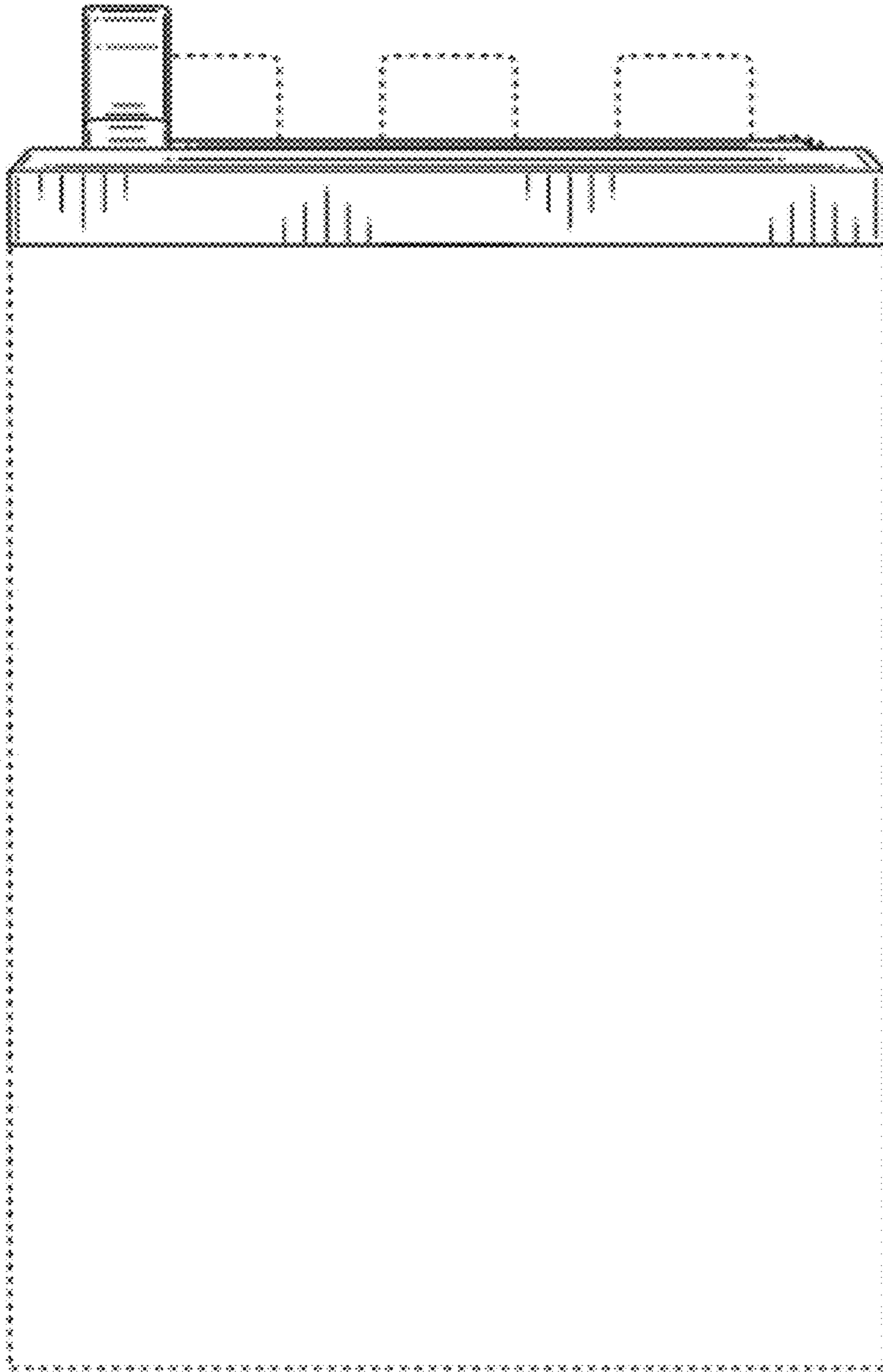
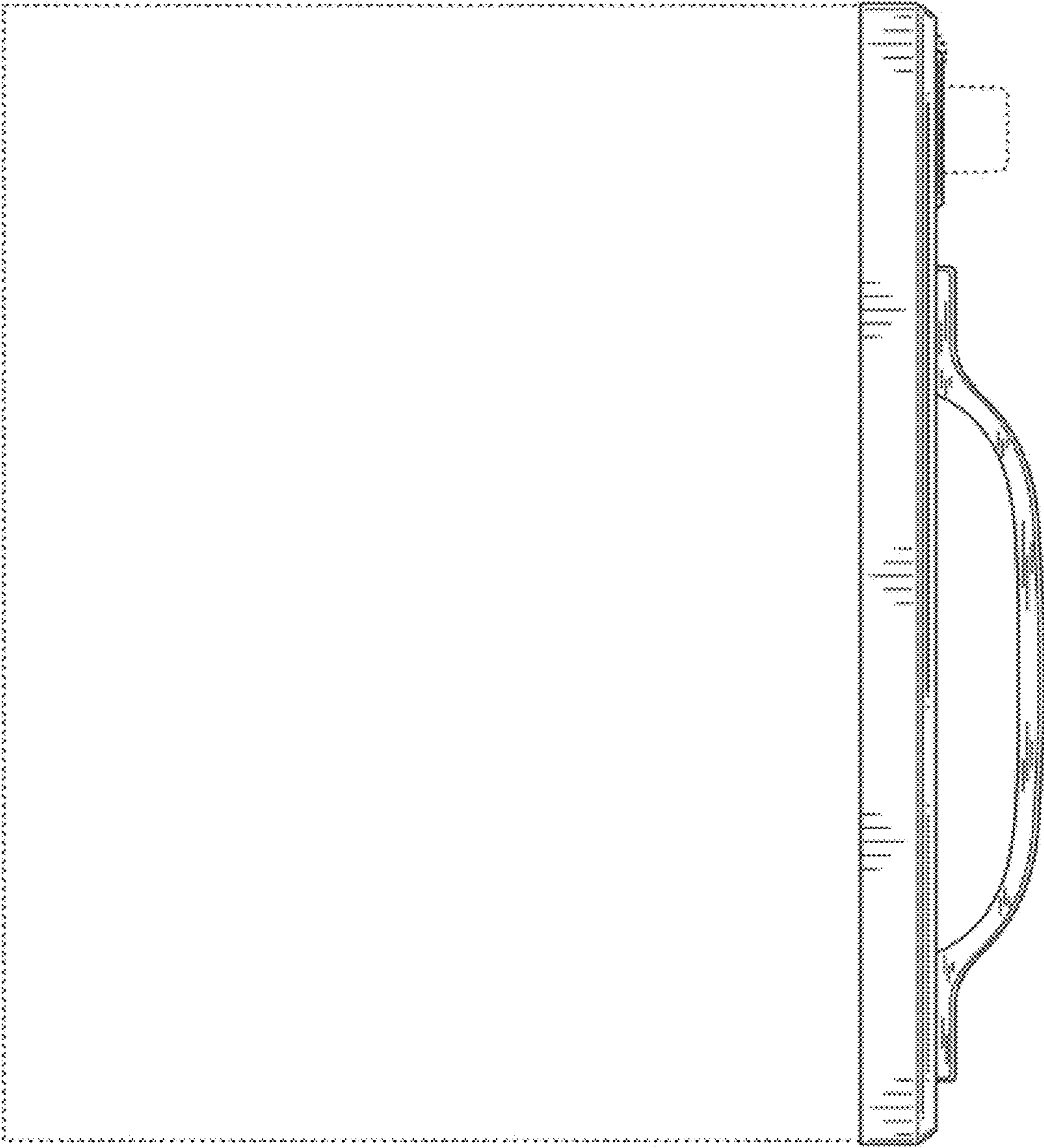


FIG. 4

FIG. 5



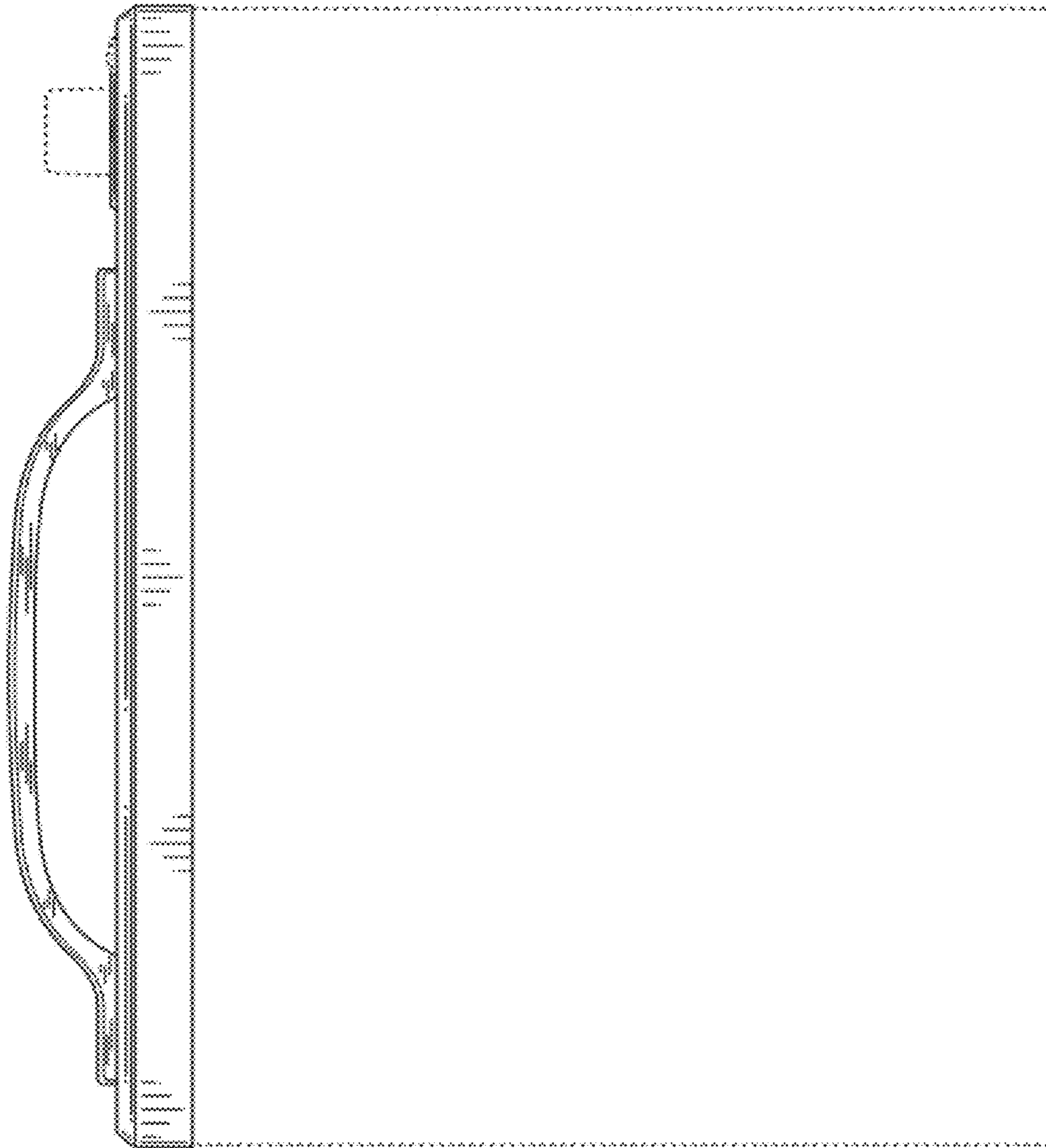


FIG. 6