



US00D655127S

(12) **United States Design Patent**
Grimes

(10) **Patent No.:** **US D655,127 S**

(45) **Date of Patent:** **** Mar. 6, 2012**

(54) **COMBINED BARBECUE SMOKER AND GRILL**

(76) Inventor: **Gary Robert Grimes**, Seguin, TX (US)

(**) Term: **14 Years**

(21) Appl. No.: **29/349,867**

(22) Filed: **May 12, 2010**

(51) **LOC (9) Cl.** **07-02**

(52) **U.S. Cl.** **D7/334**

(58) **Field of Classification Search** D7/332-337,
D7/402-404; 126/25 R, 25 A, 25 B, 41 R,
126/39-30, 9 R, 8, 38, 4, 268, 276, 40, 50,
126/506; 99/481-482, 448

See application file for complete search history.

(56) **References Cited**

U.S. PATENT DOCUMENTS

D284,256 S *	6/1986	Moncrief	D7/334
D289,272 S *	4/1987	Phinney	D12/112
D290,940 S *	7/1987	Smith et al.	D12/113
D395,982 S *	7/1998	Dunn et al.	D7/402
D429,944 S *	8/2000	Alle	D7/332
D524,092 S *	7/2006	Bayer	D7/334
D538,580 S *	3/2007	Loving	D7/332
D564,825 S *	3/2008	Chan	D7/334
D577,945 S *	10/2008	Traeger et al.	D7/334
2009/0097353 A1	4/2009	Barber		

* cited by examiner

Primary Examiner — Ruth McInroy

(74) *Attorney, Agent, or Firm* — Rafael V. Baca; Baca Law Firm PLLC

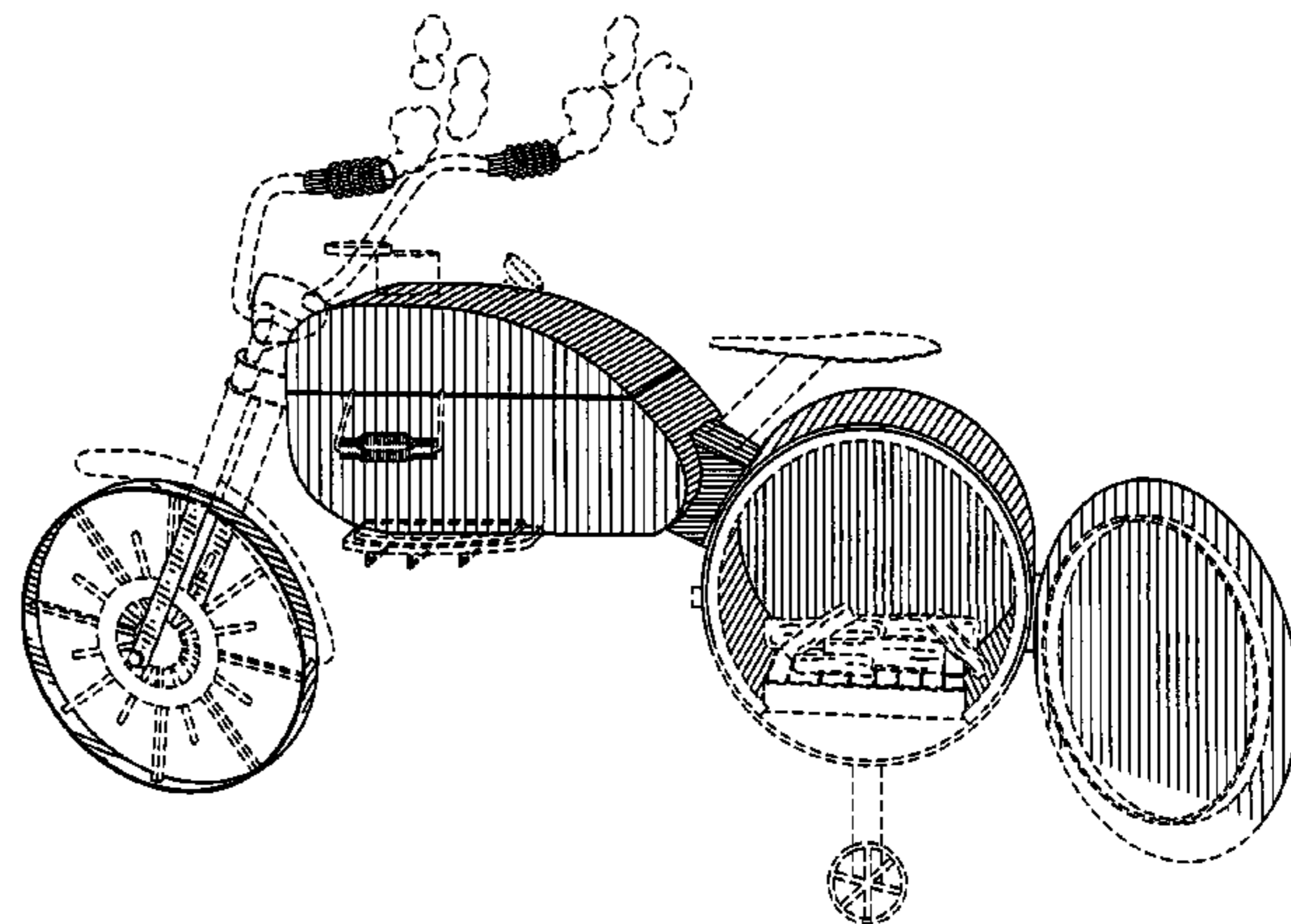
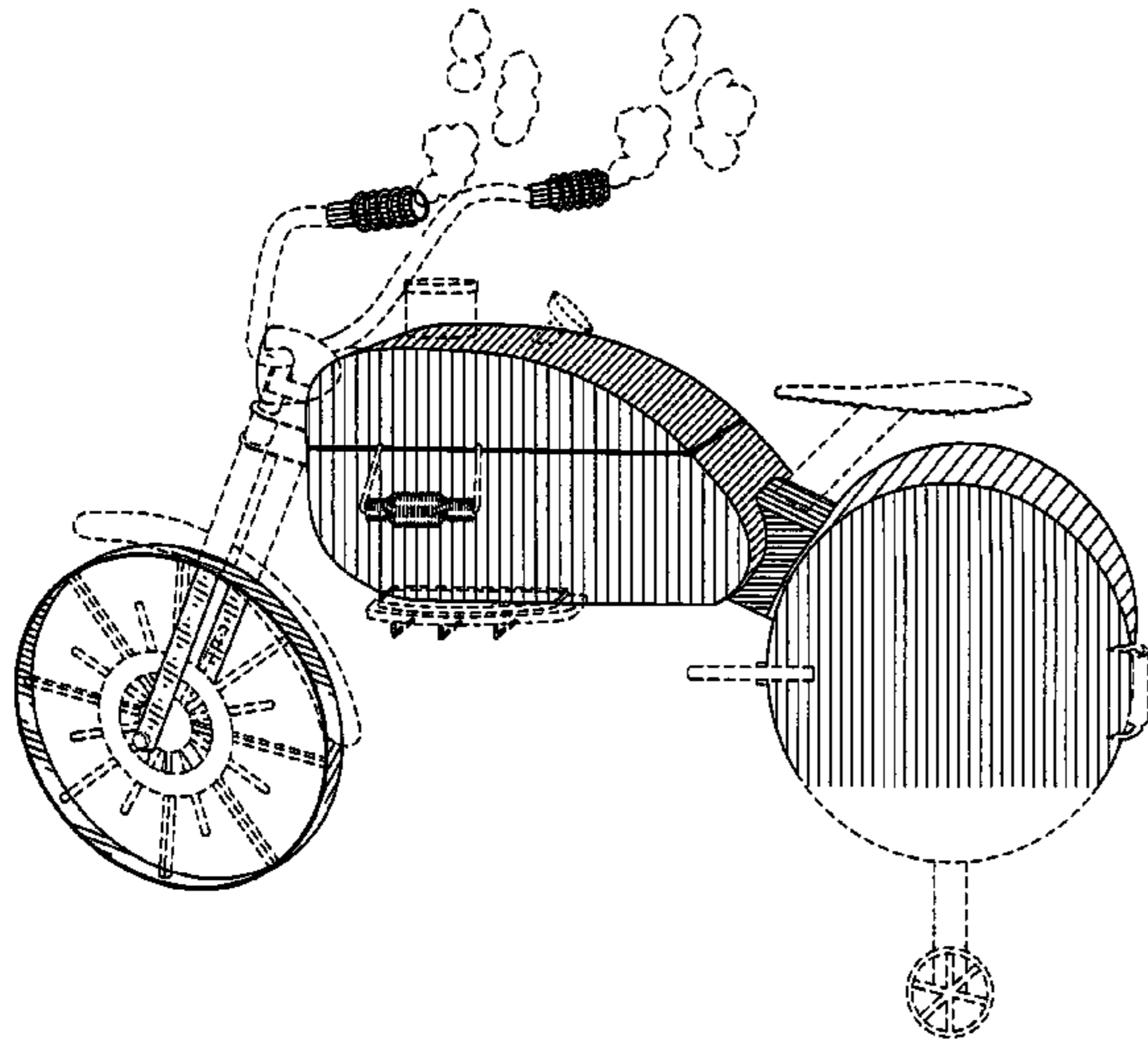
(57) **CLAIM**

I claim the ornamental design for a combined barbecue smoker and grill, as shown and described.

DESCRIPTION

FIG. 1 is a left isometric view of a combined barbecue smoker and grill showing my new design;
 FIG. 2 is an isometric view of the rear and right side thereof;
 FIG. 3 is a rear elevational view thereof;
 FIG. 4 is a left isometric view thereof, showing the smoker firebox door in an open position;
 FIG. 5 is an isometric view of the front and left side, the lid is shown in an open position and the unclaimed headlight in a rotated position;
 FIG. 6 is an isometric view thereof; and,
 FIG. 7 is an enlarged view of the headlight shown in FIG. 6.
 The broken lines shown in the drawings are for illustrative purposes only and do not form part of the claimed design.
 The surface shading (shown in uniformly spaced horizontal and vertical lines) does not represent a pattern.

1 Claim, 6 Drawing Sheets



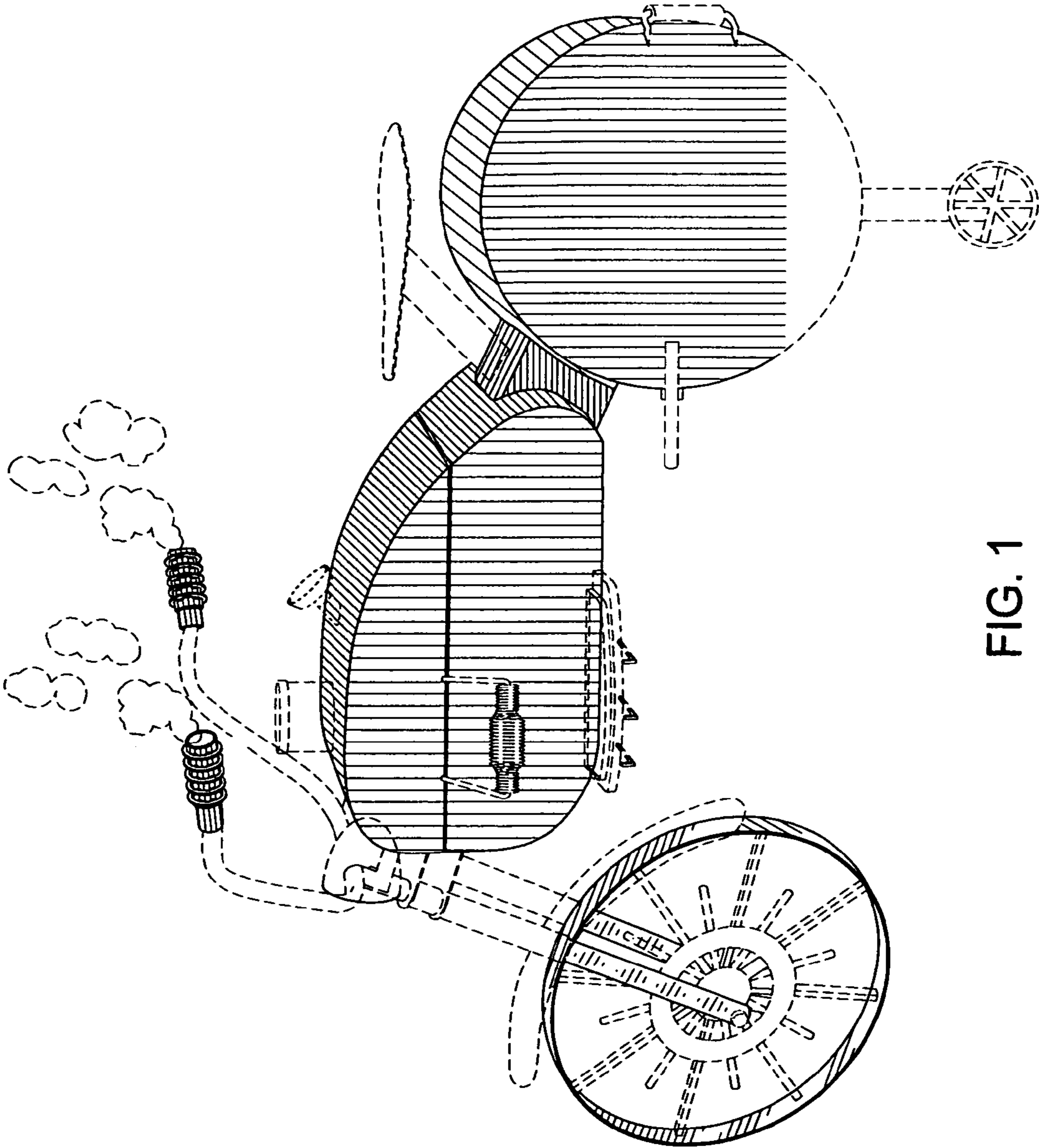


FIG. 1

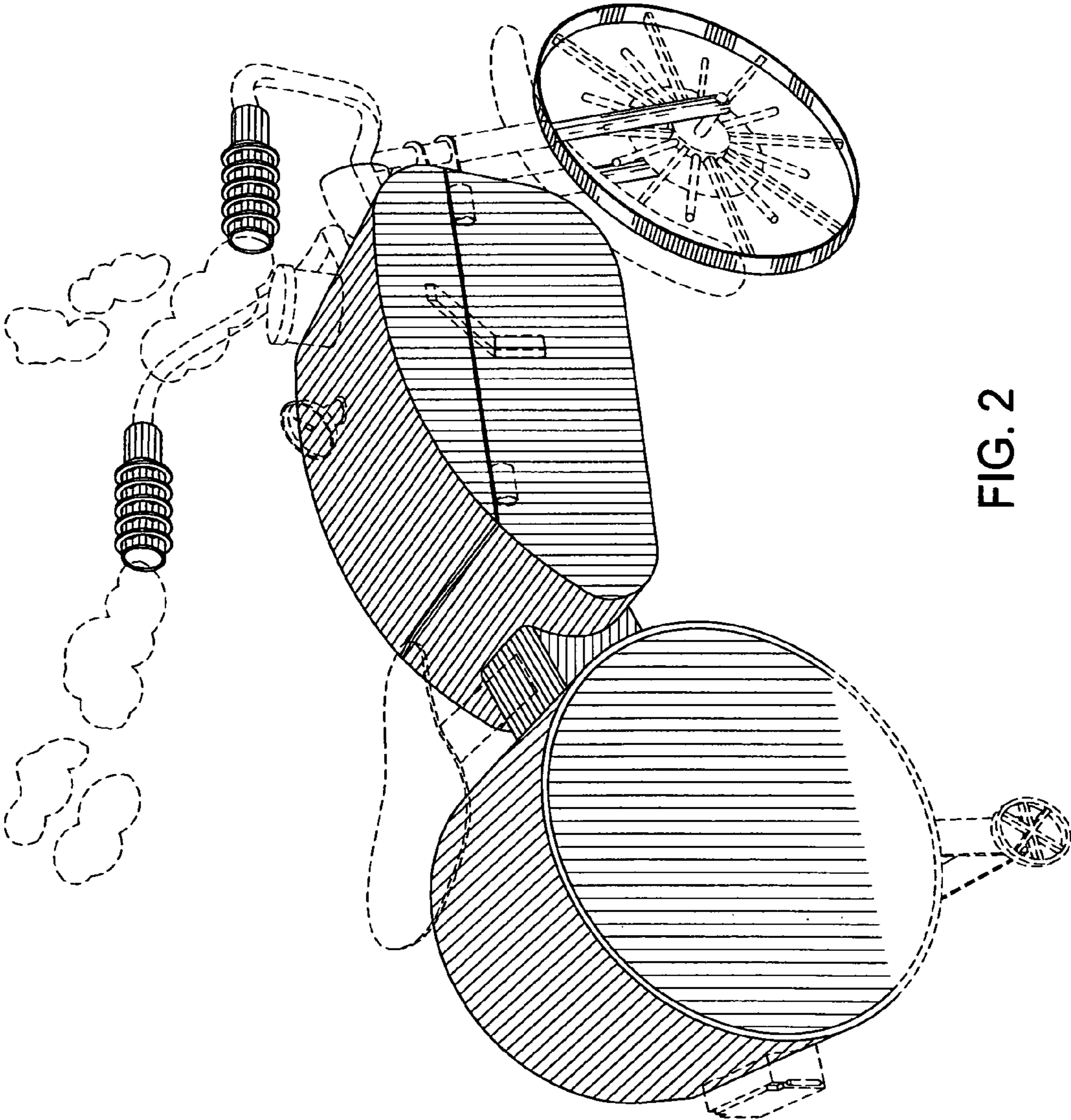


FIG. 2

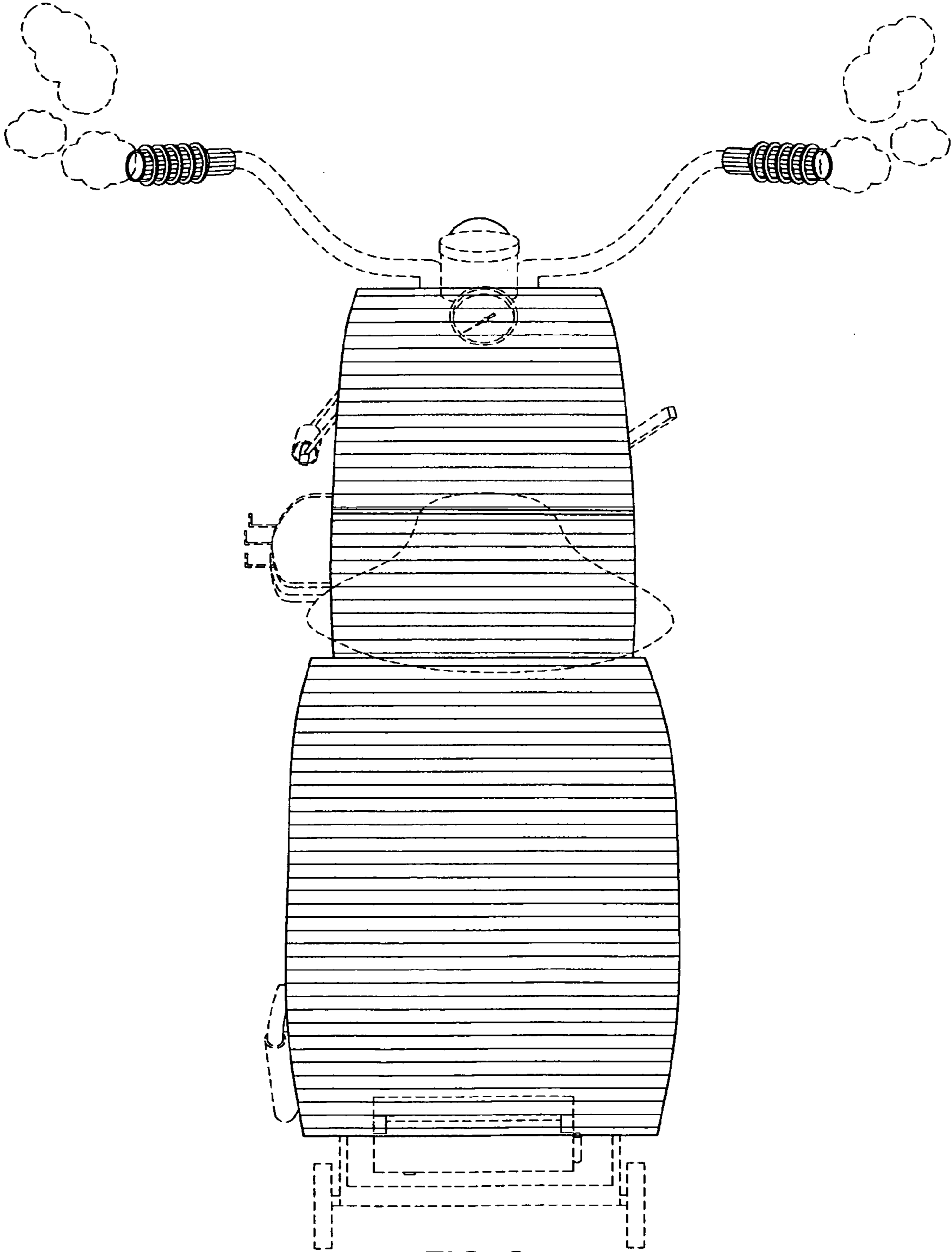


FIG. 3

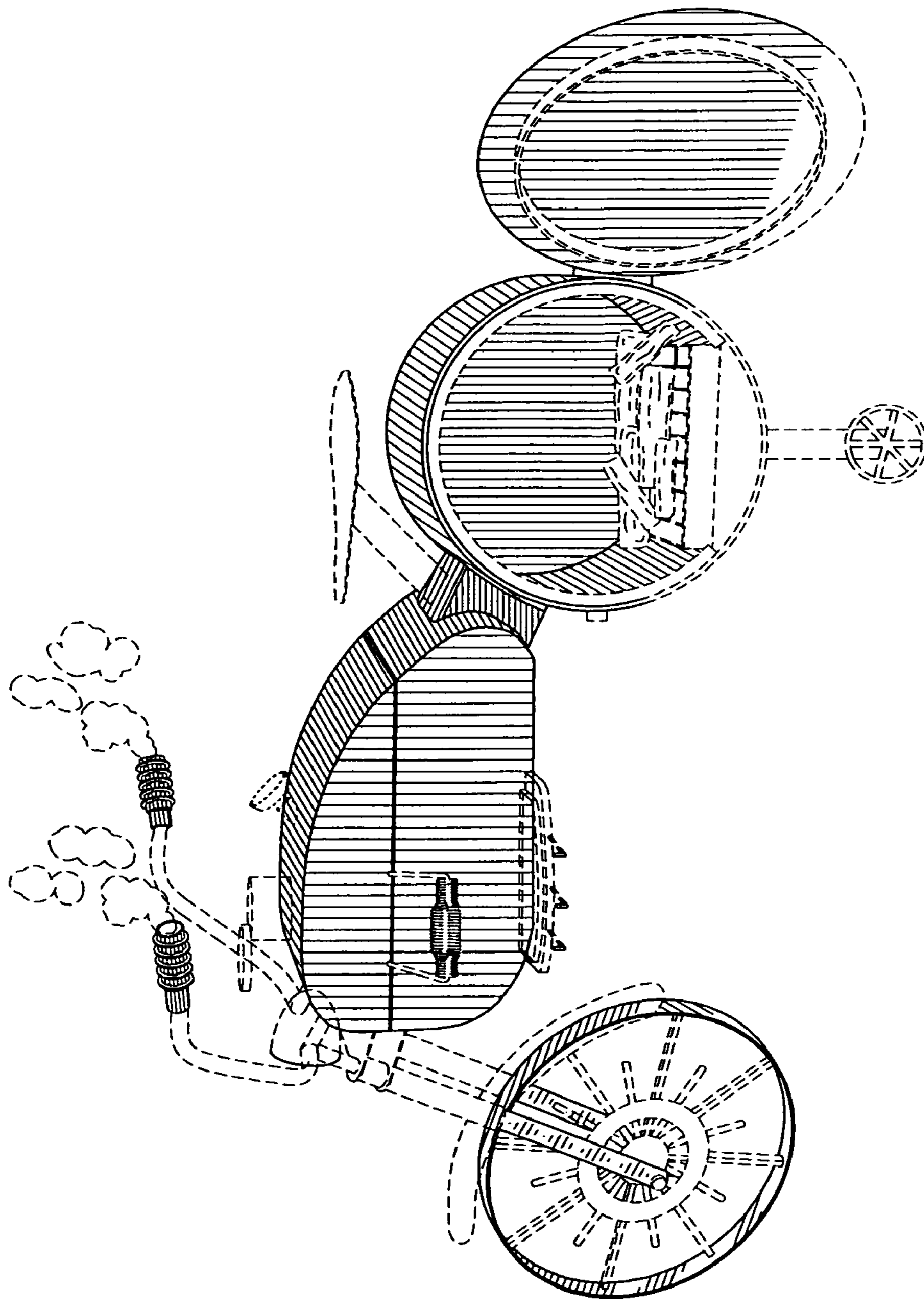


FIG. 4

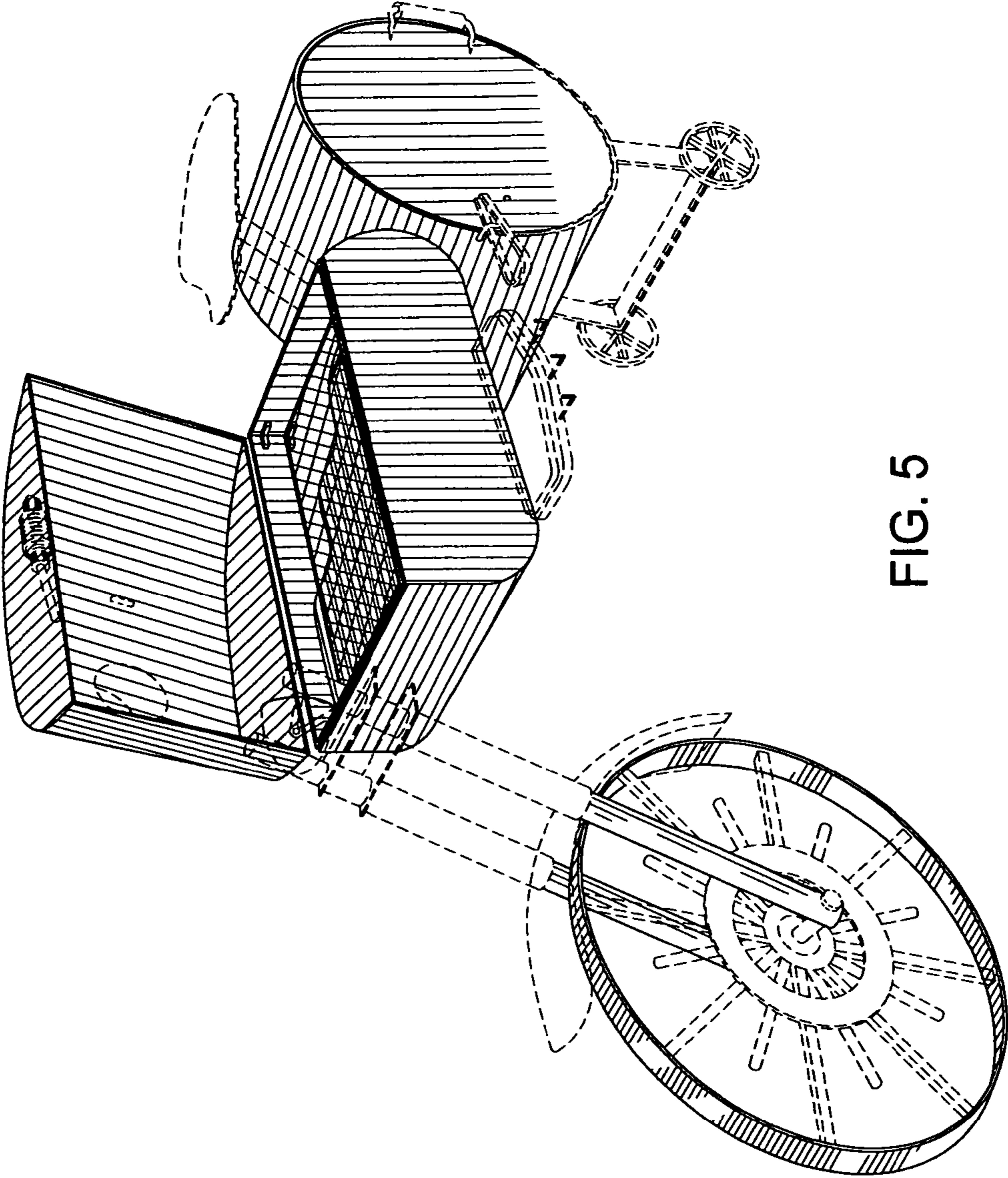


FIG. 5

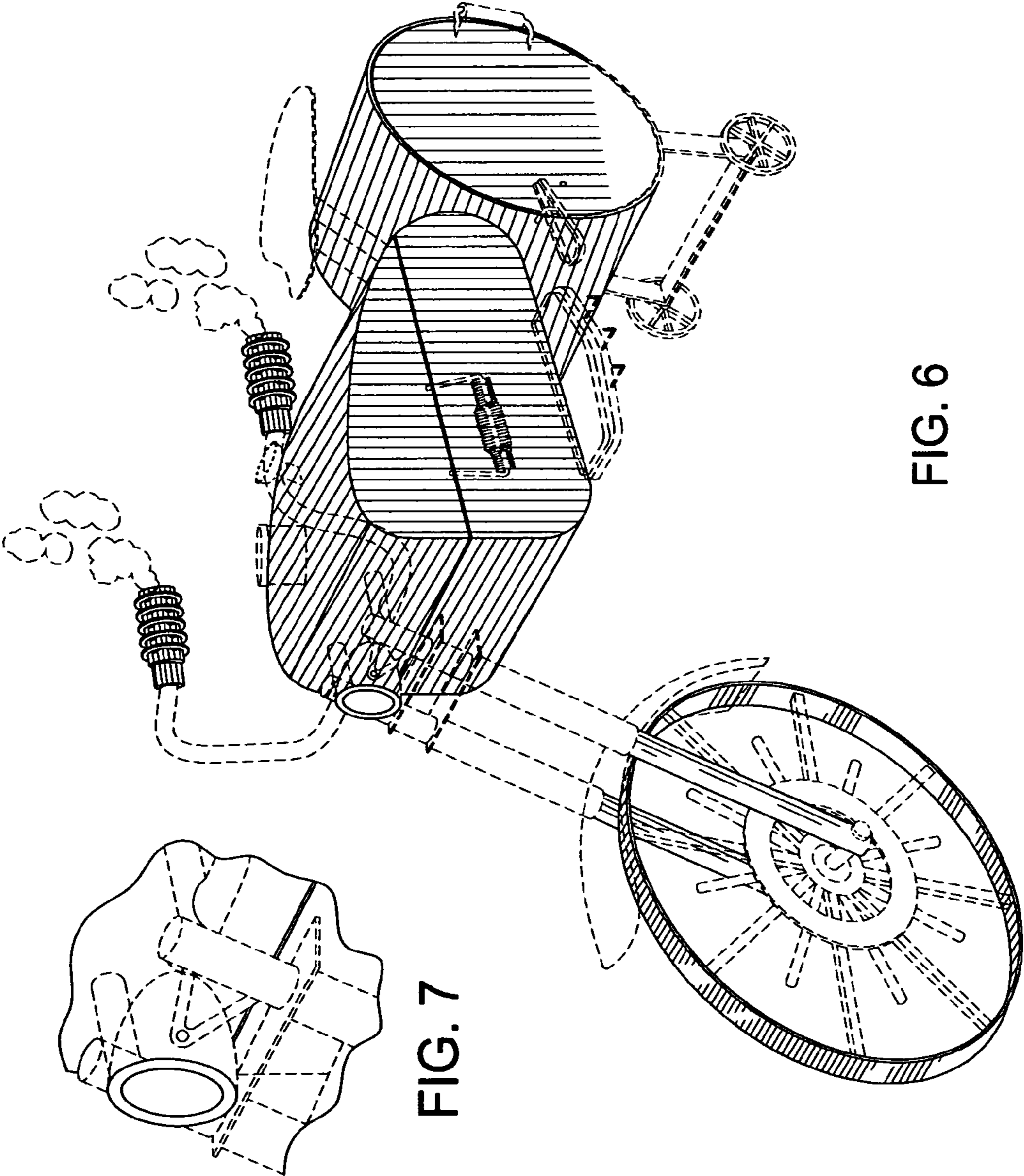


FIG. 7

FIG. 6