



US00D655122S

(12) **United States Design Patent**
Bingul et al.

(10) **Patent No.:** **US D655,122 S**
(45) **Date of Patent:** **** Mar. 6, 2012**

(54) **BEVERAGE DISPENSER TOWER**
(75) Inventors: **Emir Bingul**, Ardsley, NY (US);
Indrani Deo, Ossining, NY (US);
Steven Jersey, Laguna Niguel, CA (US);
Patrik Lundell, Espoo (FI); **Thomas R. Hecht**, Winters, CA (US)

(73) Assignee: **PepsiCo, Inc.**, Purchase, NY (US)

(**) Term: **14 Years**

(21) Appl. No.: **29/375,546**

(22) Filed: **Sep. 23, 2010**

(51) **LOC (9) Cl.** **07-99**

(52) **U.S. Cl.** **D7/306; D7/311**

(58) **Field of Classification Search** D7/589,
D7/368, 369-371, 306-308, 311, 397, 300,
D7/398; 222/129, 135, 144.5, 185.1, 1; D15/82,
D15/79, 80; 99/275, 280, 455, 452, 348;
220/592.14, 592.13

See application file for complete search history.

(56) **References Cited**

U.S. PATENT DOCUMENTS

D185,006 S *	4/1959	Smith	D7/311
D195,663 S *	7/1963	Schumans	D7/308
D202,688 S *	11/1965	Cornelius	D7/311
D235,816 S *	7/1975	Hall	D7/308
D251,564 S *	4/1979	MacKrell	D7/311
D256,125 S *	7/1980	Erickson	D7/398
D259,725 S *	6/1981	Wasserstrom et al.	D7/308
D268,977 S *	5/1983	Marotta	D7/309

D287,089 S *	12/1986	Cesaroni	D7/309
D340,616 S *	10/1993	Williams et al.	D7/398
D358,290 S *	5/1995	Schroeder	D7/311
D359,412 S *	6/1995	Minh	D7/307
D365,962 S *	1/1996	Amundsen et al.	D7/311
D369,937 S *	5/1996	Guadalupi	D7/300
D400,753 S *	11/1998	Pryor et al.	D7/307
D462,225 S *	9/2002	Kyees et al.	D7/307
D643,682 S *	8/2011	Asthon	D7/397
2010/0116842 A1	5/2010	Hecht et al.		
2011/0017776 A1	1/2011	Metropulos et al.		
2011/0125334 A1*	5/2011	Deo et al.	700/283

* cited by examiner

Primary Examiner — Marianne Pandozzi

(74) *Attorney, Agent, or Firm* — Banner & Witcoff, Ltd.

(57) **CLAIM**

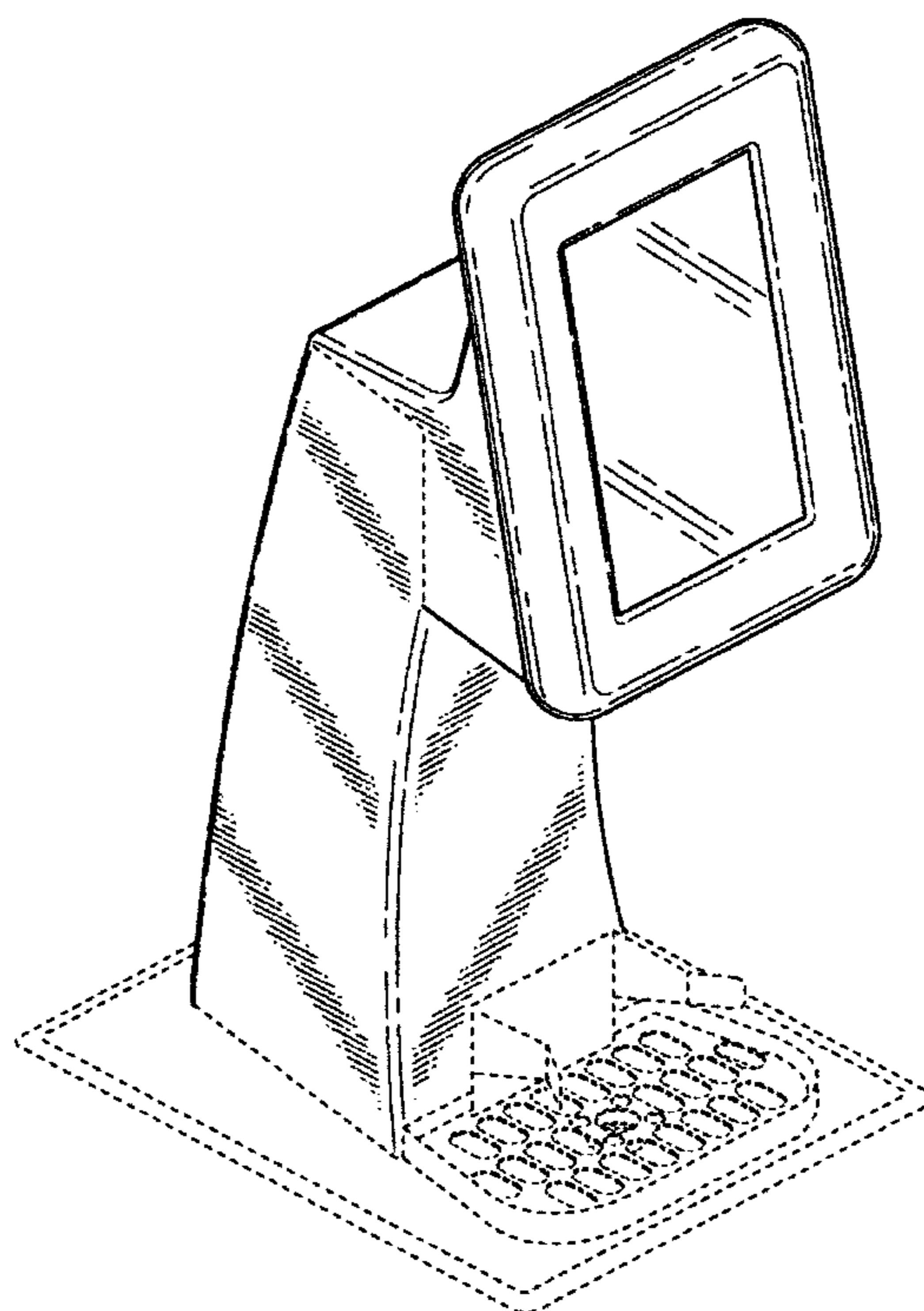
The ornamental design for a beverage dispenser tower, as shown and described.

DESCRIPTION

FIG. 1 is a top, front, left perspective view of a beverage dispenser tower showing our new design;
FIG. 2 is a top, rear, right perspective view thereof;
FIG. 3 is a front view thereof;
FIG. 4 is a rear view thereof;
FIG. 5 is a right side view thereof;
FIG. 6 is a left side view thereof;
FIG. 7 is a top view thereof; and,
FIG. 8 is a bottom view thereof.

The broken lines in the drawings are included for the purpose of illustrating environment and form no part of the claimed design.

1 Claim, 7 Drawing Sheets



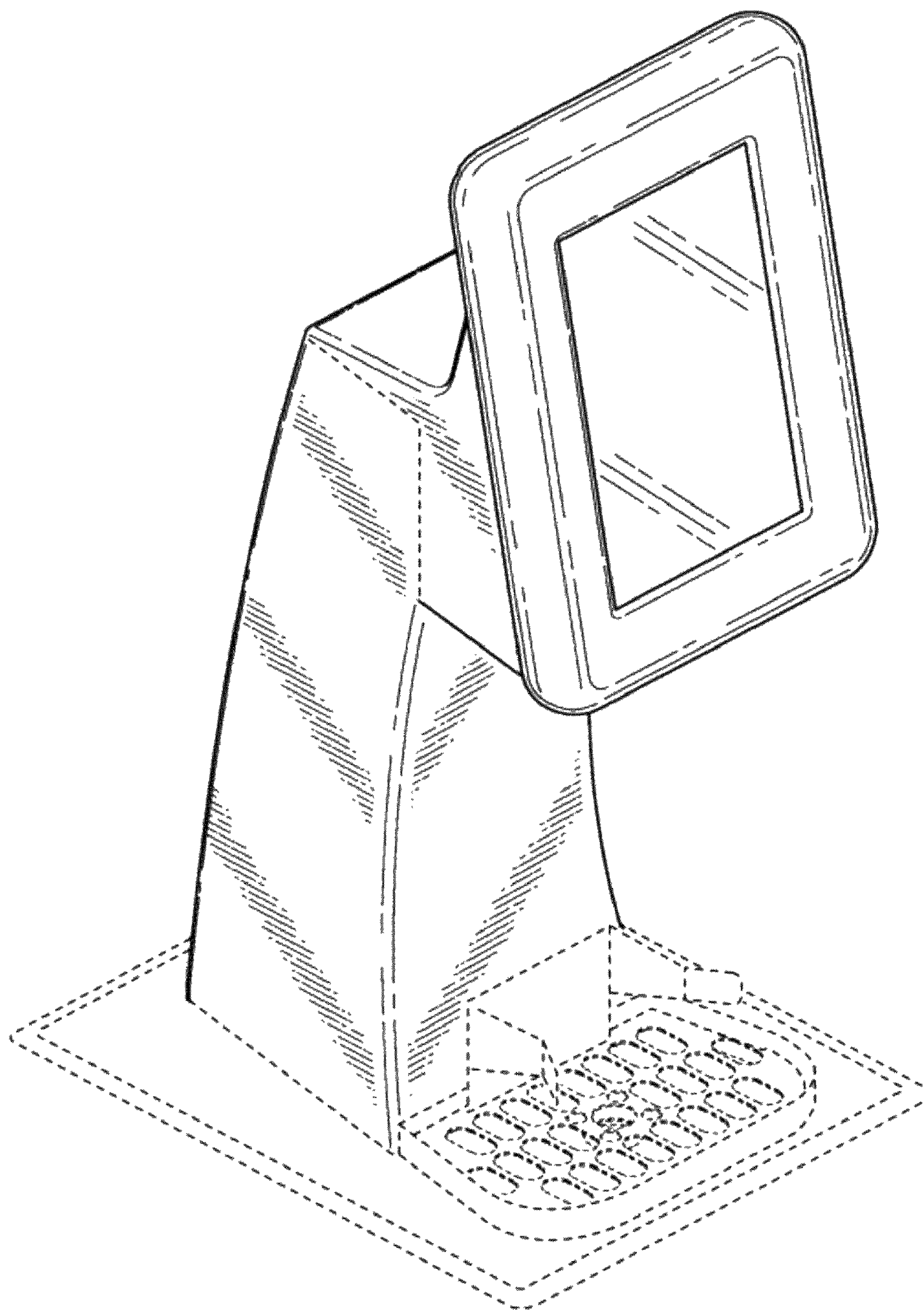


FIG. 1

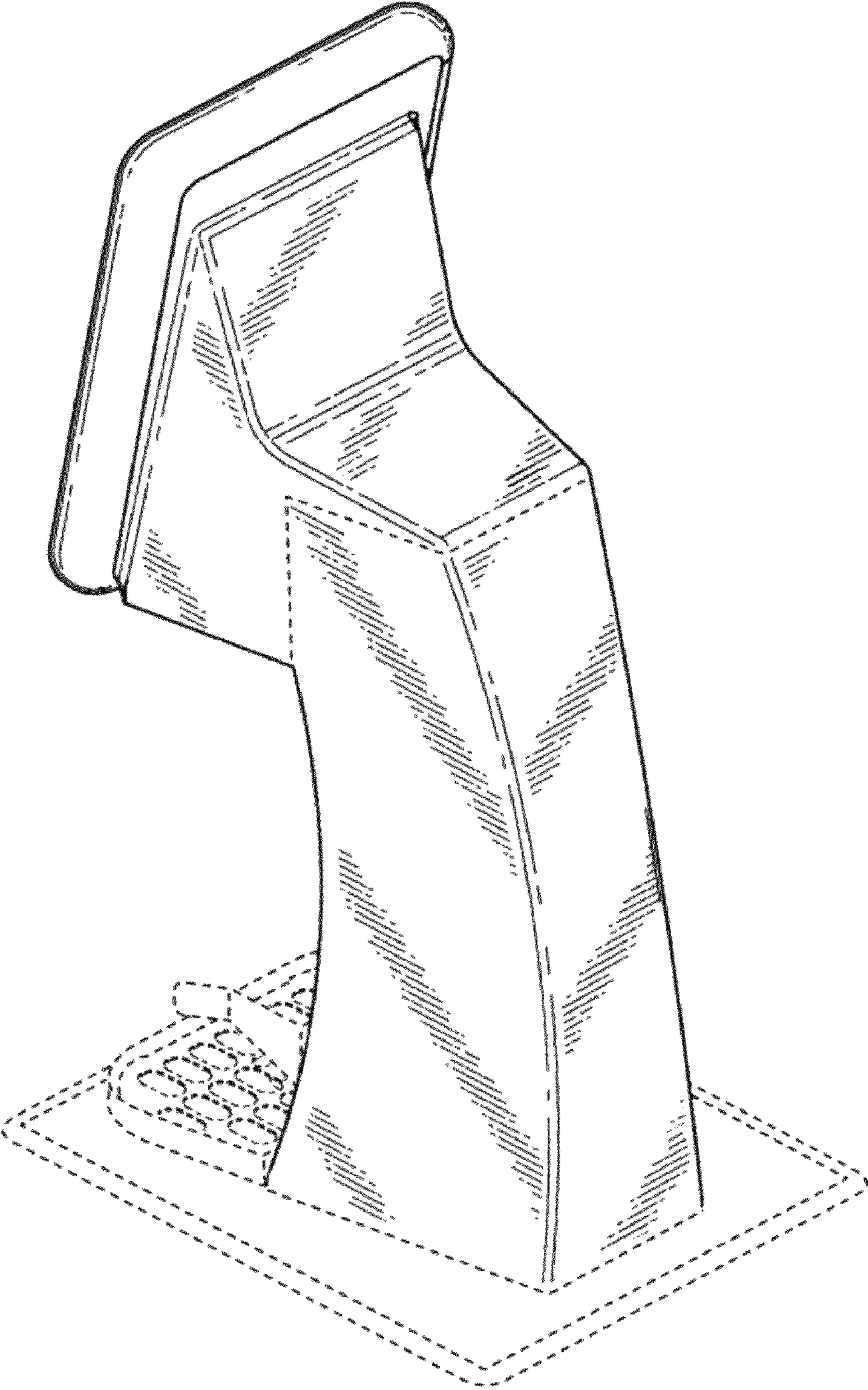


FIG. 2

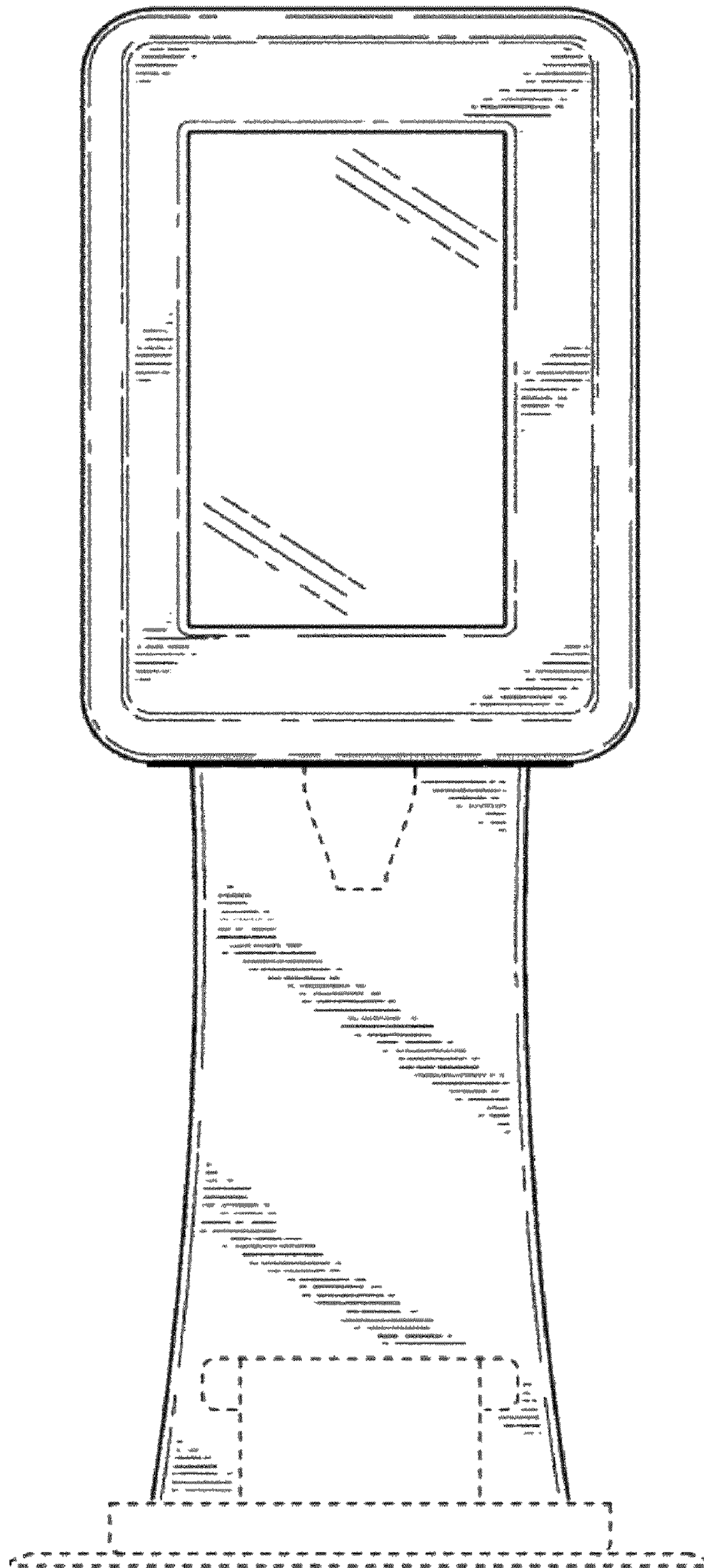


FIG. 3

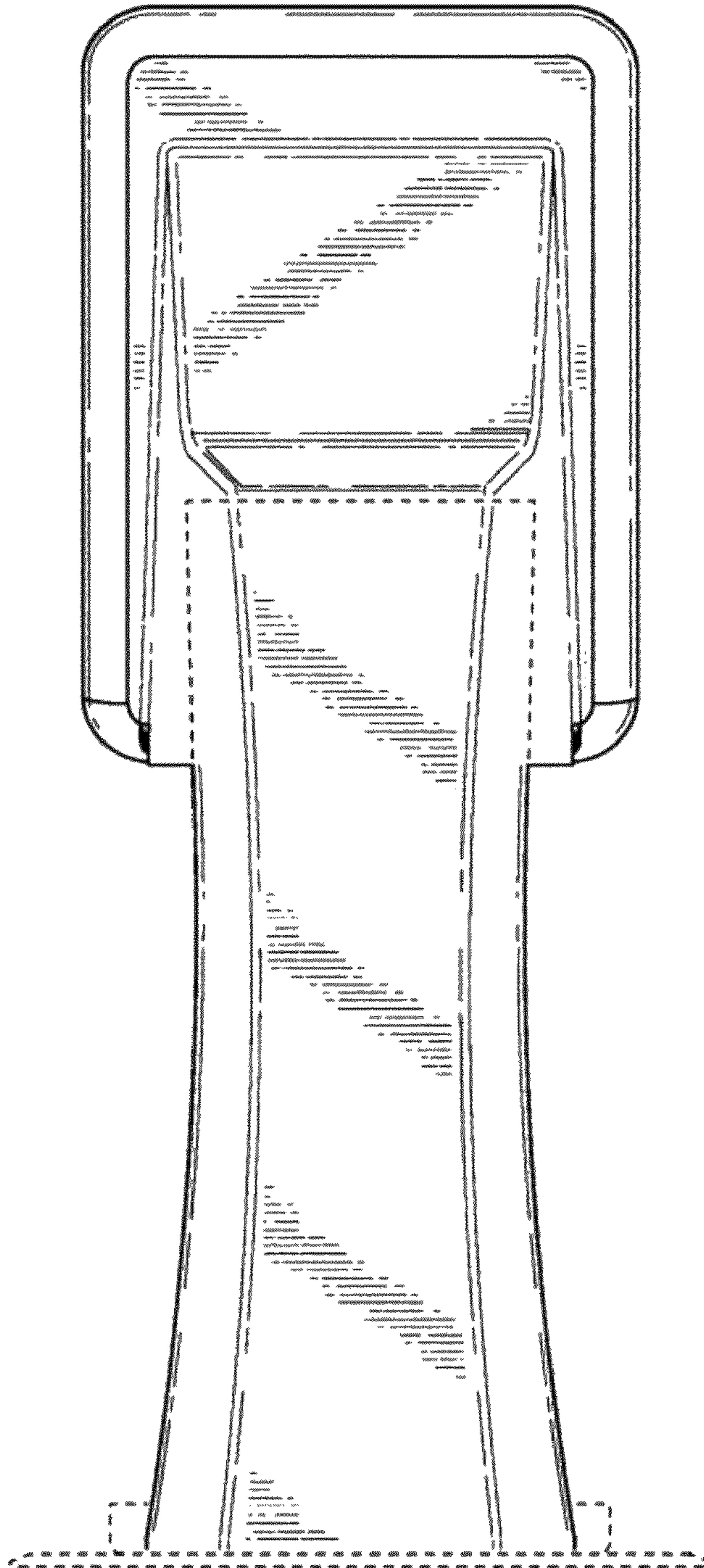


FIG. 4

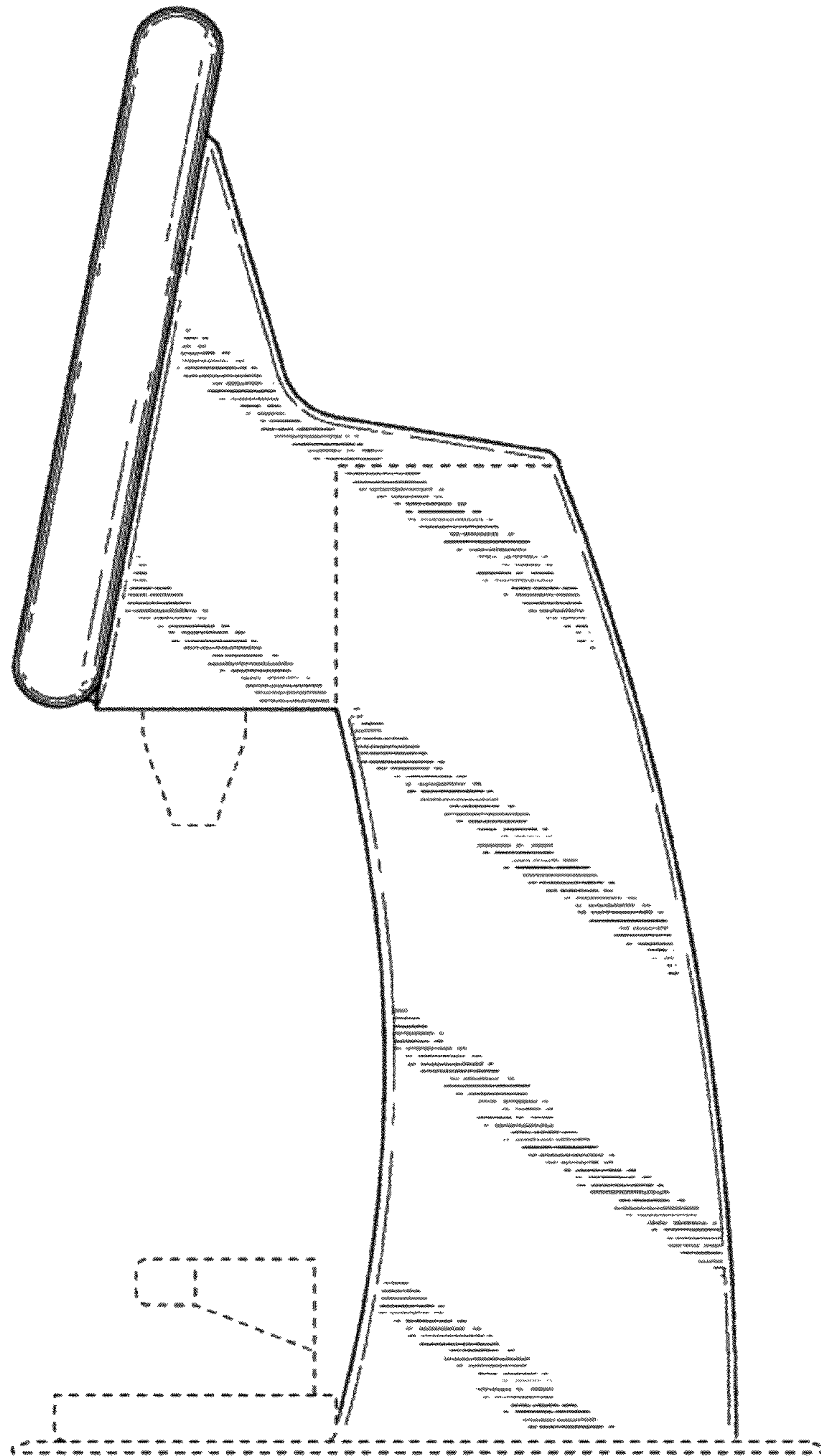


FIG. 5

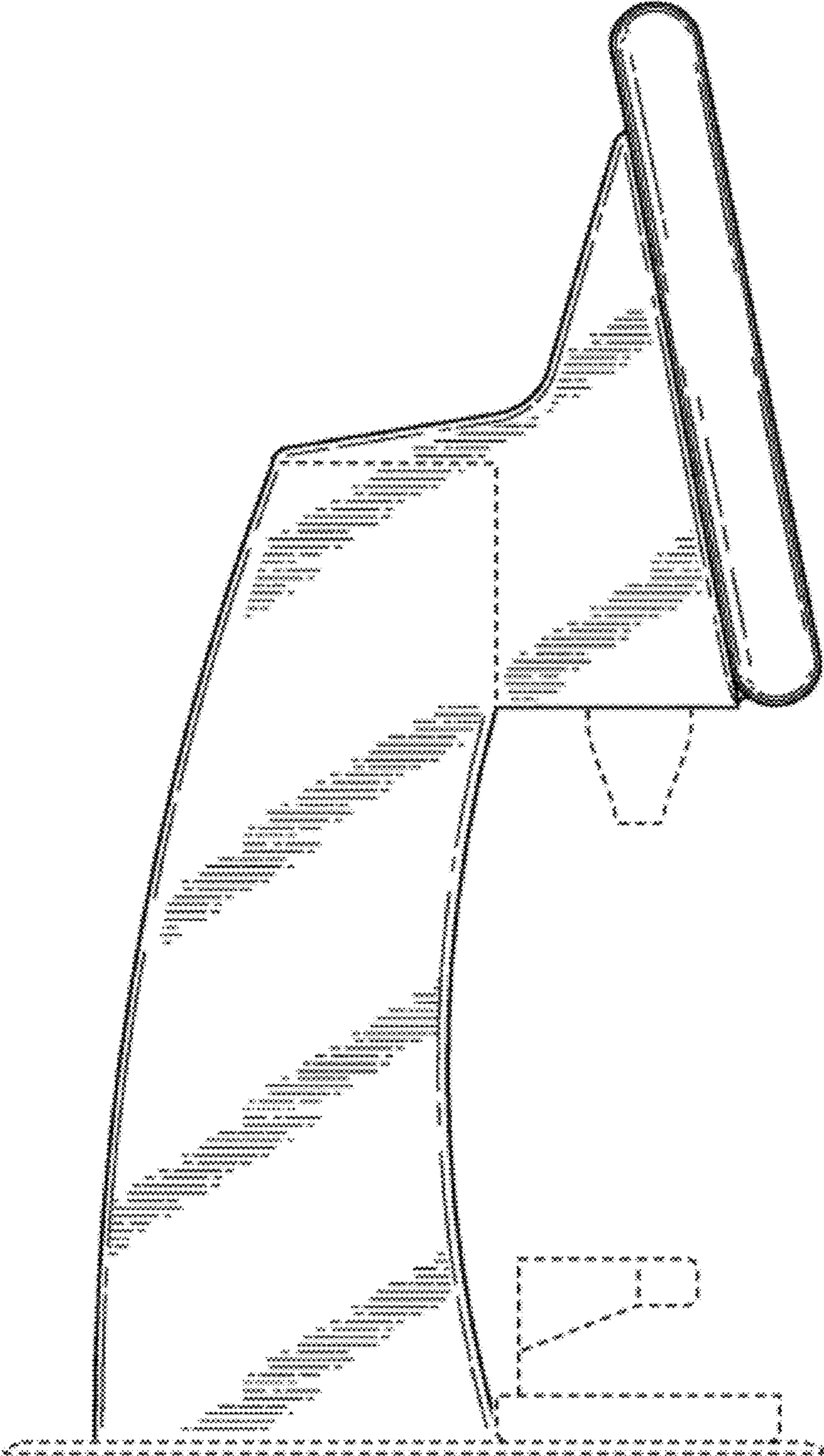


FIG. 6

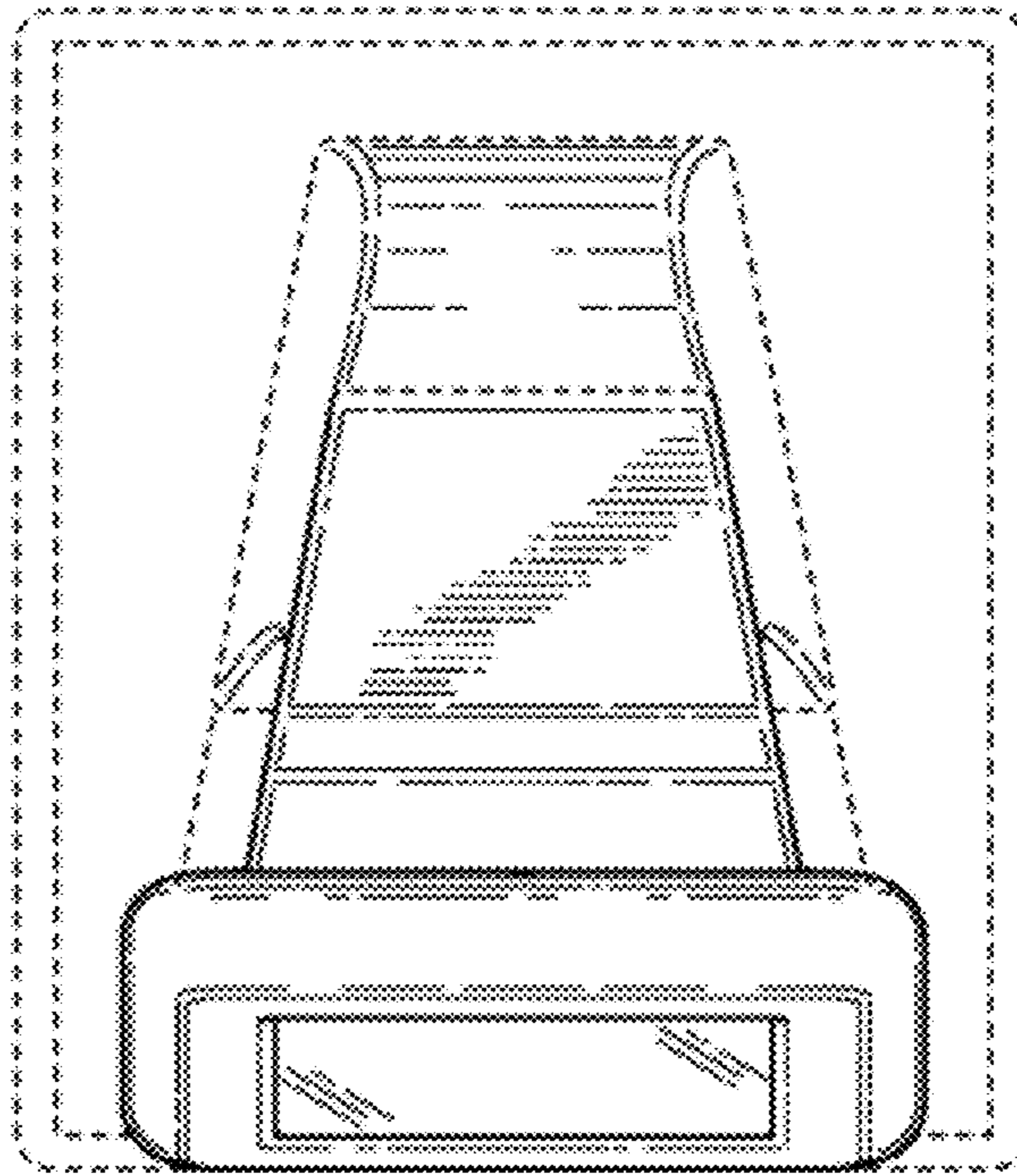


FIG. 7



FIG. 8