



US00D655121S

(12) **United States Design Patent**
Wallace

(10) **Patent No.:** **US D655,121 S**

(45) **Date of Patent:** **** *Mar. 6, 2012**

(54) **DRINKING STRAW WITH SLEEVE**

(76) Inventor: **Jamie M. Wallace**, Round Rock, TX
(US)

(*) Notice: This patent is subject to a terminal disclaimer.

(**) Term: **14 Years**

(21) Appl. No.: **29/326,615**

(22) Filed: **Oct. 21, 2008**

(51) **LOC (9) Cl.** **07-06**

(52) **U.S. Cl.** **D7/300.2**

(58) **Field of Classification Search** D7/300.2,
D7/305, 507, 510, 511; D9/436; D24/108;
215/229, 388, 389; 206/216; 239/16, 24-33;
433/91; 220/705, 706, 709

See application file for complete search history.

(56) **References Cited**

U.S. PATENT DOCUMENTS

2,070,495	A *	2/1937	Strutz et al.	239/33
2,613,107	A	10/1952	Hartnett		
2,689,149	A *	9/1954	Saltzman	239/33
2,979,267	A *	4/1961	Miller	239/33
D190,752	S	6/1961	Pedersen		
3,315,405	A *	4/1967	Hoffer	239/33
3,398,624	A *	8/1968	Stoessel et al.	239/33
D263,715	S *	4/1982	Walter	D7/700
4,842,157	A *	6/1989	Stone-Parker et al.	220/719
D317,972	S *	7/1991	Liu et al.	D7/688
5,052,614	A	10/1991	Xuan		
5,085,335	A	2/1992	Carbaugh		
5,114,074	A	5/1992	Frauenthal et al.		
5,160,058	A	11/1992	Ahn		
5,201,460	A	4/1993	Caines		
5,367,548	A	11/1994	Attix		
5,547,103	A *	8/1996	Murphy et al.	220/709
5,647,499	A	7/1997	Piazza		
5,671,863	A	9/1997	Uliana		

D393,566	S *	4/1998	Buehner	D7/300.2
5,873,474	A	2/1999	Gray		
5,897,013	A	4/1999	Manganiello		
6,056,149	A	5/2000	Murphy et al.		
6,123,219	A	9/2000	Cornell et al.		

(Continued)

FOREIGN PATENT DOCUMENTS

JP 13000300 1/2001

(Continued)

Primary Examiner — Cynthia M Chin

(74) *Attorney, Agent, or Firm* — Scheinberg & Griner, LLP;
David Griner

(57) **CLAIM**

I claim the ornamental design for the drinking straw with sleeve, as shown and described.

DESCRIPTION

FIG. 1 is a reduced perspective view of a drinking straw with sleeve according to the present design.

FIG. 2 is a horizontal perspective view of a portion of the drinking straw with sleeve according to the present design.

FIG. 3 is an enlarged top view of the drinking straw with sleeve when looking from the top of the drinking straw with sleeve through to the bottom.

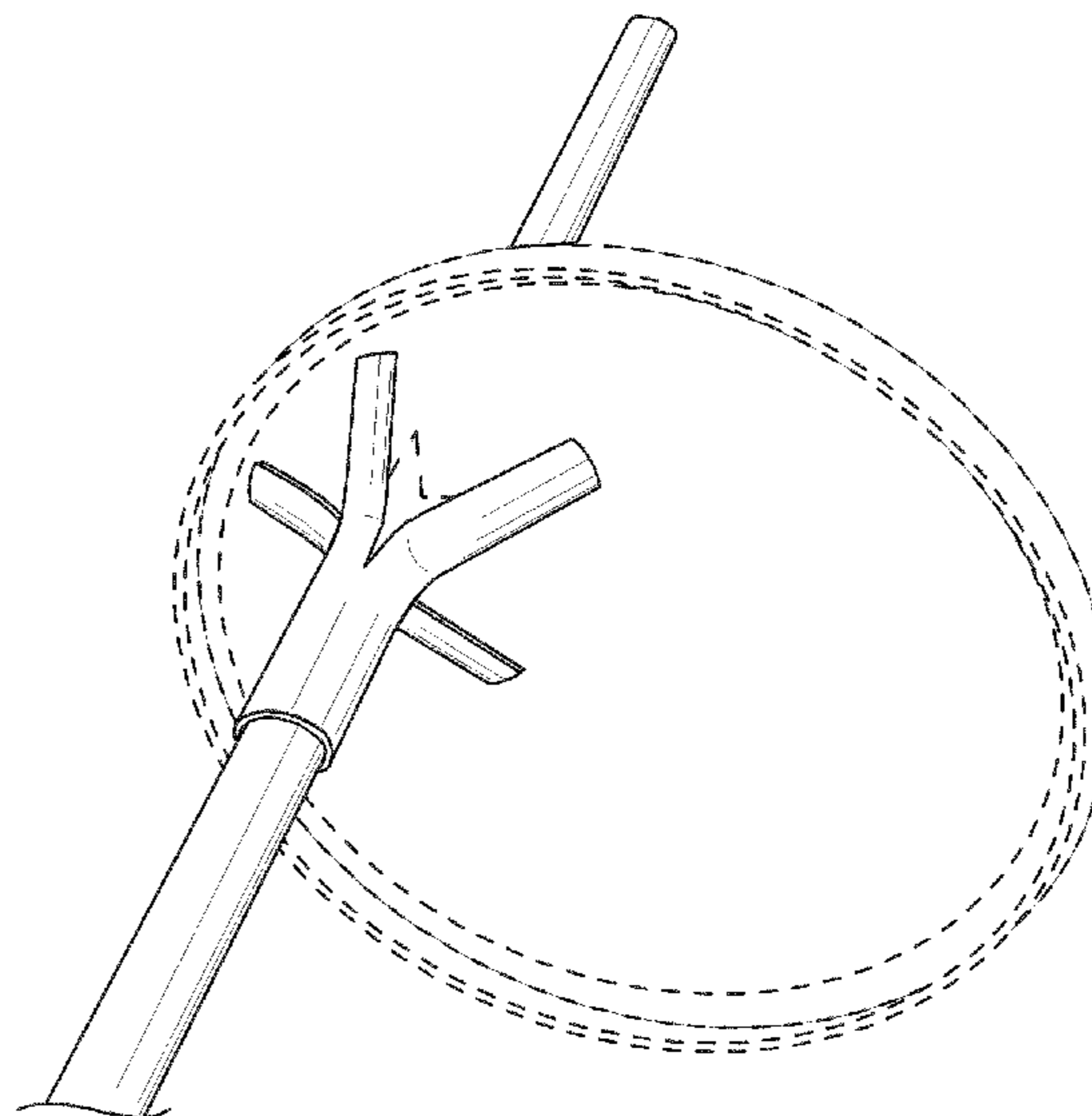
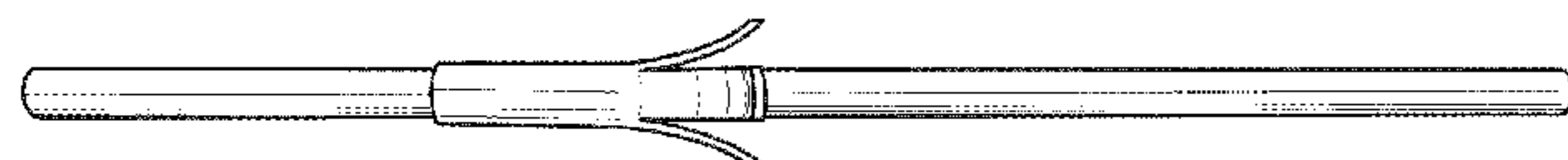
FIG. 4 is an enlarged bottom view of the drinking straw with sleeve when looking from the bottom of the drinking straw with sleeve through to the top.

FIG. 5 is a view of a portion of the drinking straw with sleeve when inserted through a lid; and,

FIG. 6 is a view of a portion of the drinking straw with sleeve when inserted through a lid and retracted to prevent the straw from being easily removed from a container lid.

The broken lines shown in FIG. 5 and FIG. 6 are included for the purpose of illustrating environmental structure and form no part of the claimed design.

1 Claim, 2 Drawing Sheets



US D655,121 S

Page 2

U.S. PATENT DOCUMENTS

D431,978 S * 10/2000 Mayhill D8/1
6,158,611 A 12/2000 Cornell et al.
D440,810 S 4/2001 Olson
6,230,913 B1 5/2001 Cornell et al.
6,234,342 B1 5/2001 Cornell et al.
6,375,019 B1 * 4/2002 Hirota et al. 239/33
6,427,928 B1 * 8/2002 Hirota et al. 239/33
6,431,434 B1 8/2002 Haughton et al.
6,460,777 B2 10/2002 Float et al.
6,561,434 B2 5/2003 Kaplan
6,638,131 B1 * 10/2003 Thai 446/15
6,676,032 B2 1/2004 Banach
6,745,949 B2 6/2004 Lee
6,915,961 B2 7/2005 Renz et al.
6,929,135 B1 8/2005 Hajianpour
6,948,664 B2 9/2005 Sheedy
7,040,547 B1 * 5/2006 Nelson 239/33

7,100,838 B1 * 9/2006 Epstein 239/33
D532,242 S 11/2006 Aikens
7,140,509 B2 11/2006 Yang
7,314,183 B2 * 1/2008 Zuccaro 239/33
D567,004 S 4/2008 Bottega
D595,990 S 7/2009 Rothberg et al.
D603,206 S * 11/2009 Wallace D7/300.2
7,731,101 B2 6/2010 Fabrizio et al.
7,748,643 B2 * 7/2010 Renz et al. 239/33
2002/0185547 A1 * 12/2002 Kaplan 239/33
2006/0027675 A1 2/2006 Takeda

FOREIGN PATENT DOCUMENTS

JP 14125831 5/2002
KR 200241282 9/2001
WO 2005018390 3/2005

* cited by examiner

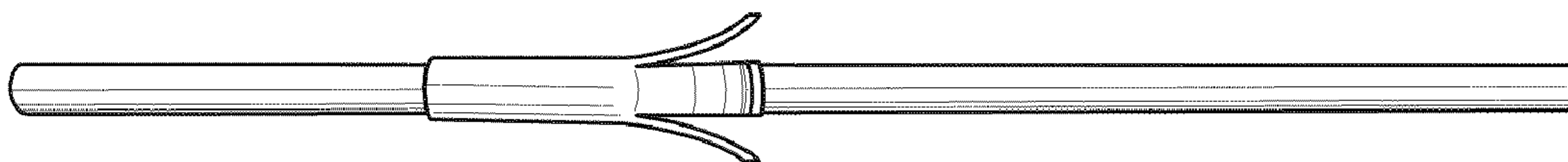


FIG. 1

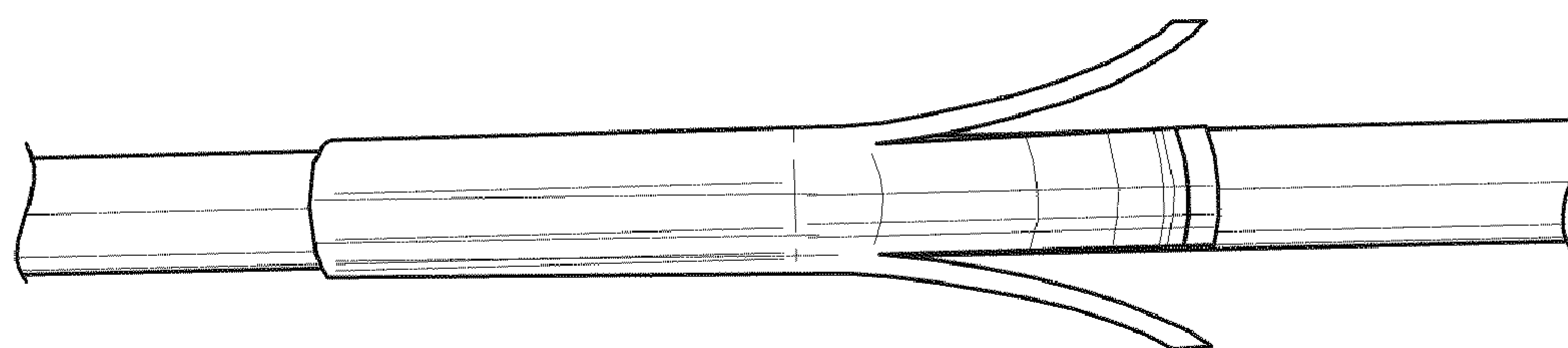


FIG. 2

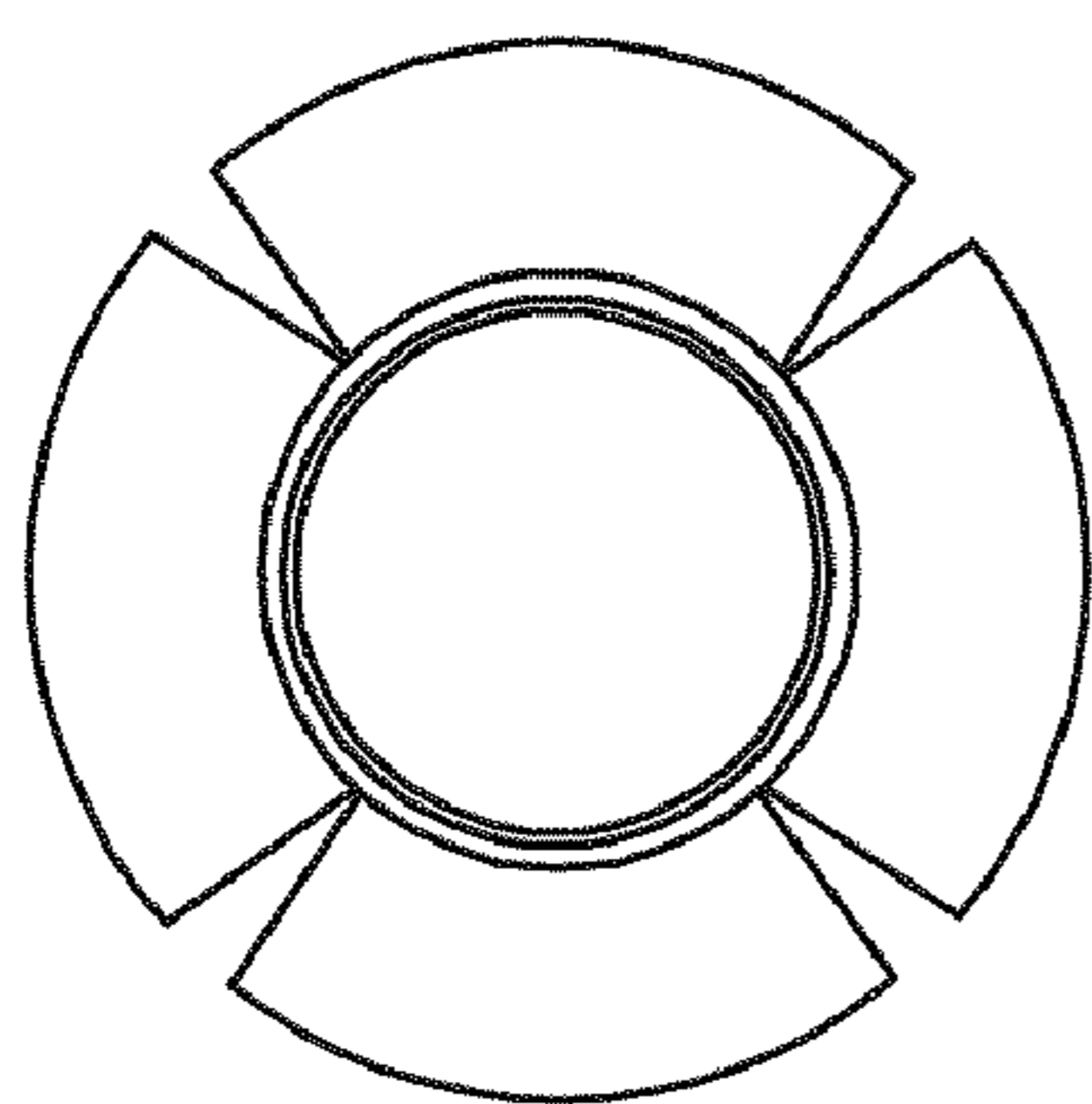


FIG. 3

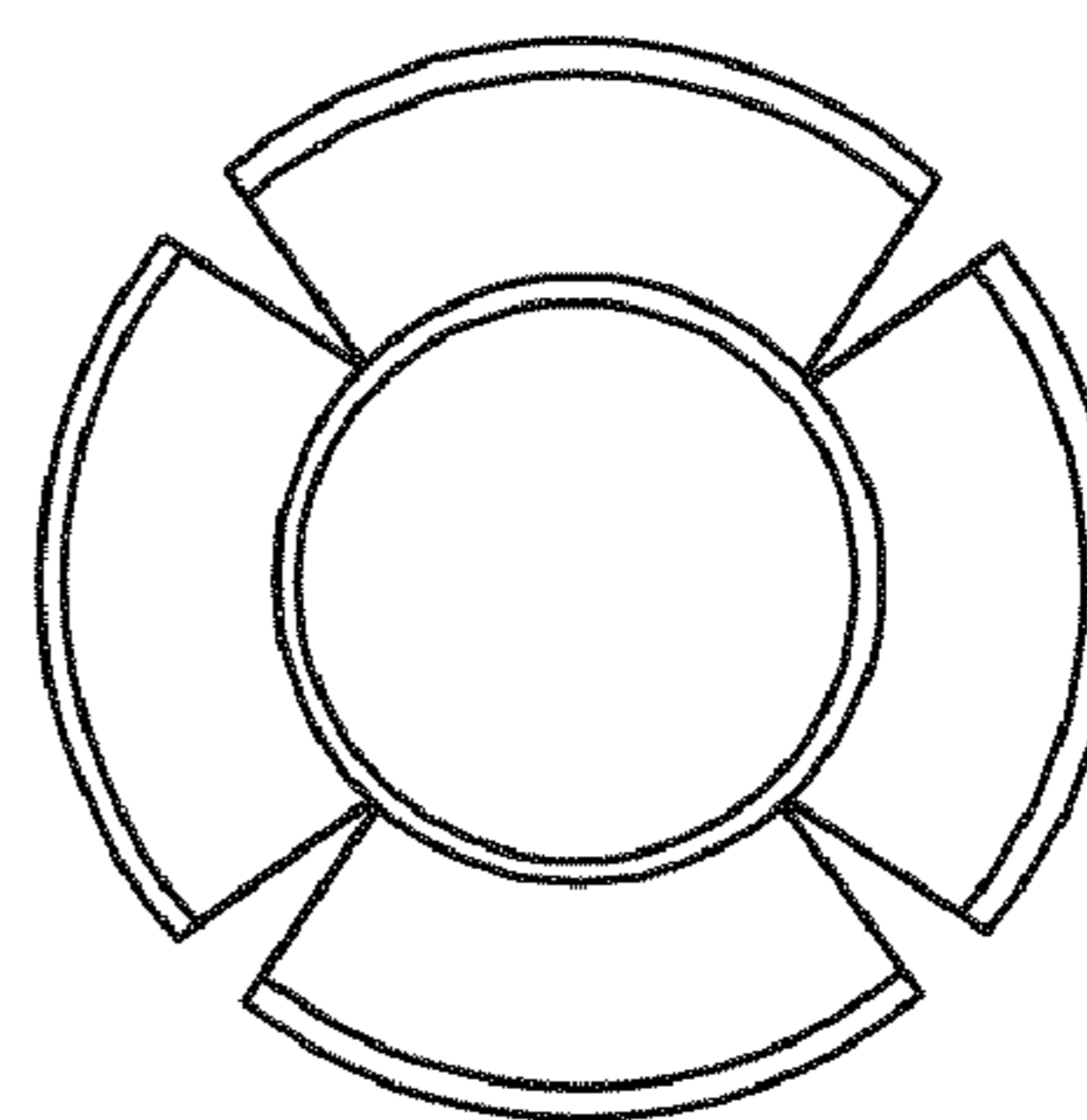


FIG. 4

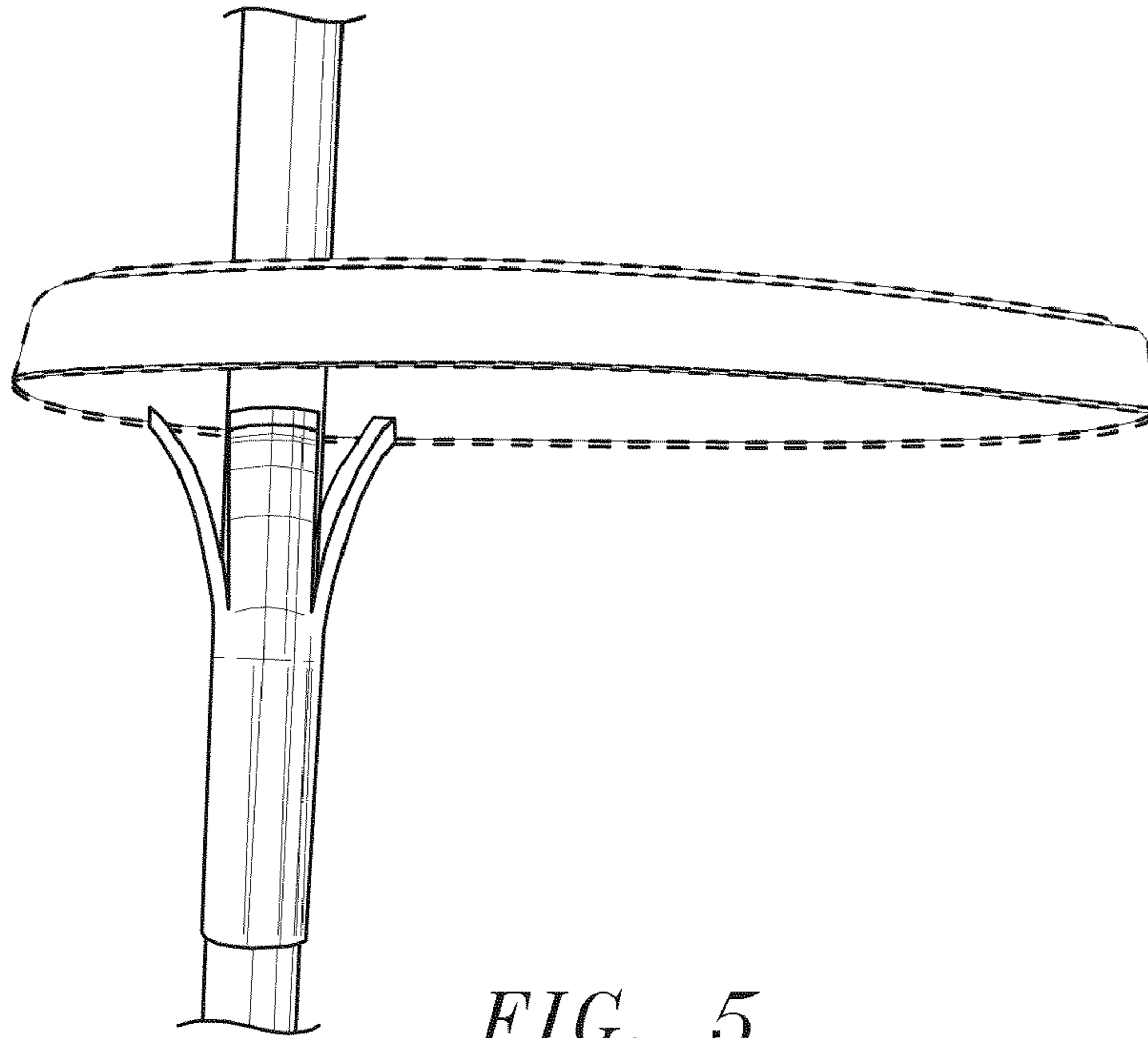


FIG. 5

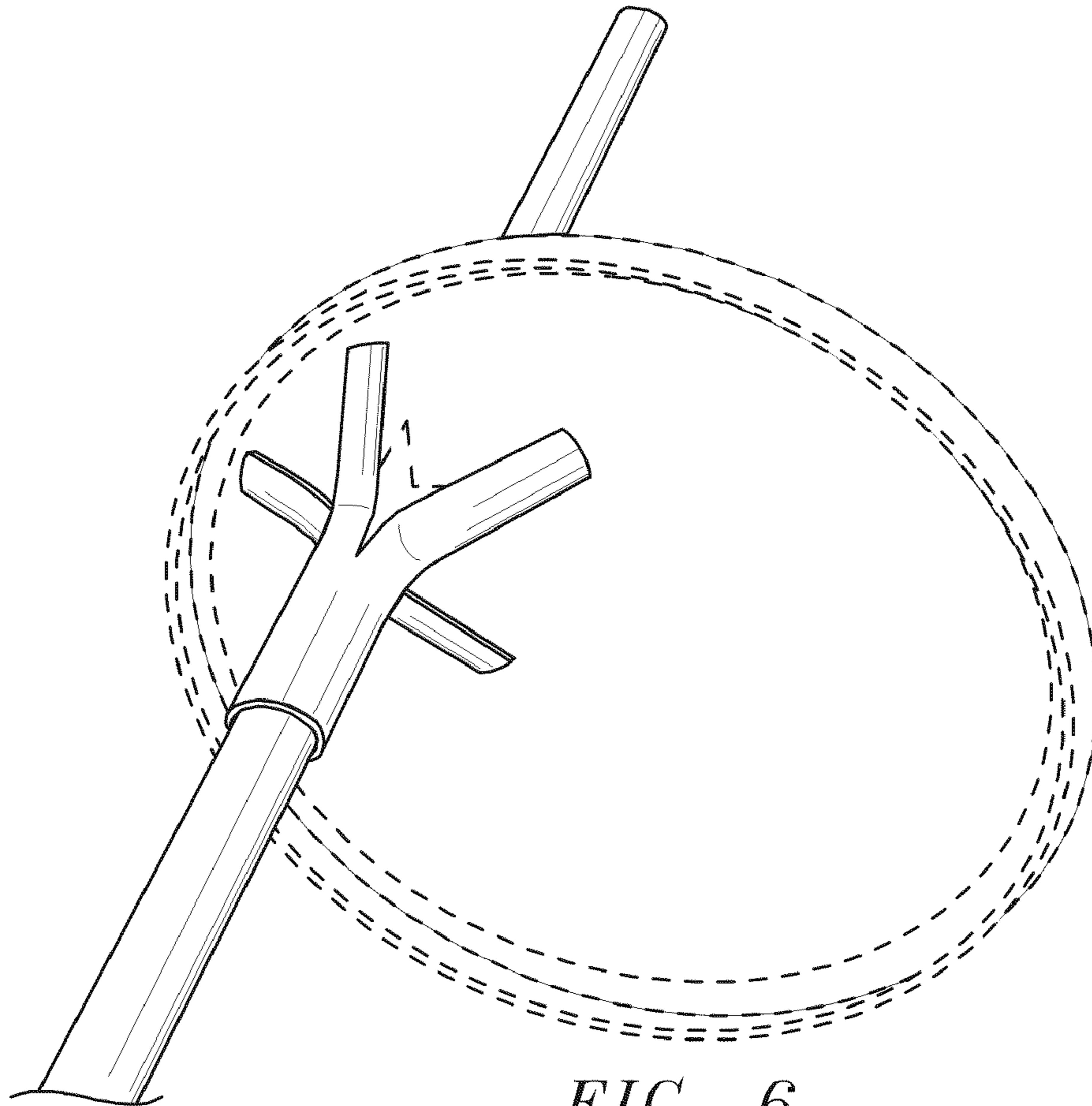


FIG. 6