



US00D655120S

(12) **United States Design Patent**
King

(10) **Patent No.:** **US D655,120 S**

(45) **Date of Patent:** **** Mar. 6, 2012**

(54) **POCKETED COVER FOR A CHAIR**

(76) **Inventor:** **Tracy L. King**, Scottsdale, AZ (US)

(**) **Term:** **14 Years**

(21) **Appl. No.:** **29/396,651**

(22) **Filed:** **Jul. 5, 2011**

(51) **LOC (9) Cl.** **06-13**

(52) **U.S. Cl.** **D6/611**

(58) **Field of Classification Search** D6/610,
D6/611, 596, 601, 602, 603, 615, 617, 621;
D12/401-405; 135/87, 88.01, 95; 150/165-167,
150/158, 154; 296/136.01, 136.1, 136.11;
280/770

See application file for complete search history.

6,951,368	B2 *	10/2005	Self	297/229
D538,574	S *	3/2007	Eskandry	D6/611
7,240,964	B2 *	7/2007	Riley	297/229
7,581,788	B1	9/2009	Johnson	
D610,855	S *	3/2010	Siklosi	D6/611
D624,343	S *	9/2010	Long	D6/601
D627,184	S *	11/2010	Pisani et al.	D6/603
7,841,658	B1 *	11/2010	Marble	297/224
D637,438	S *	5/2011	Long	D6/601
2009/0193616	A1 *	8/2009	Hendricks et al.	16/30

* cited by examiner

Primary Examiner — Caron D Veynar

Assistant Examiner — Katrina A Betton

(74) *Attorney, Agent, or Firm* — Woods Oviatt Gilman LLP

(57) **CLAIM**

The ornamental design for a pocketed cover for a chair, as shown and described.

(56) **References Cited**

U.S. PATENT DOCUMENTS

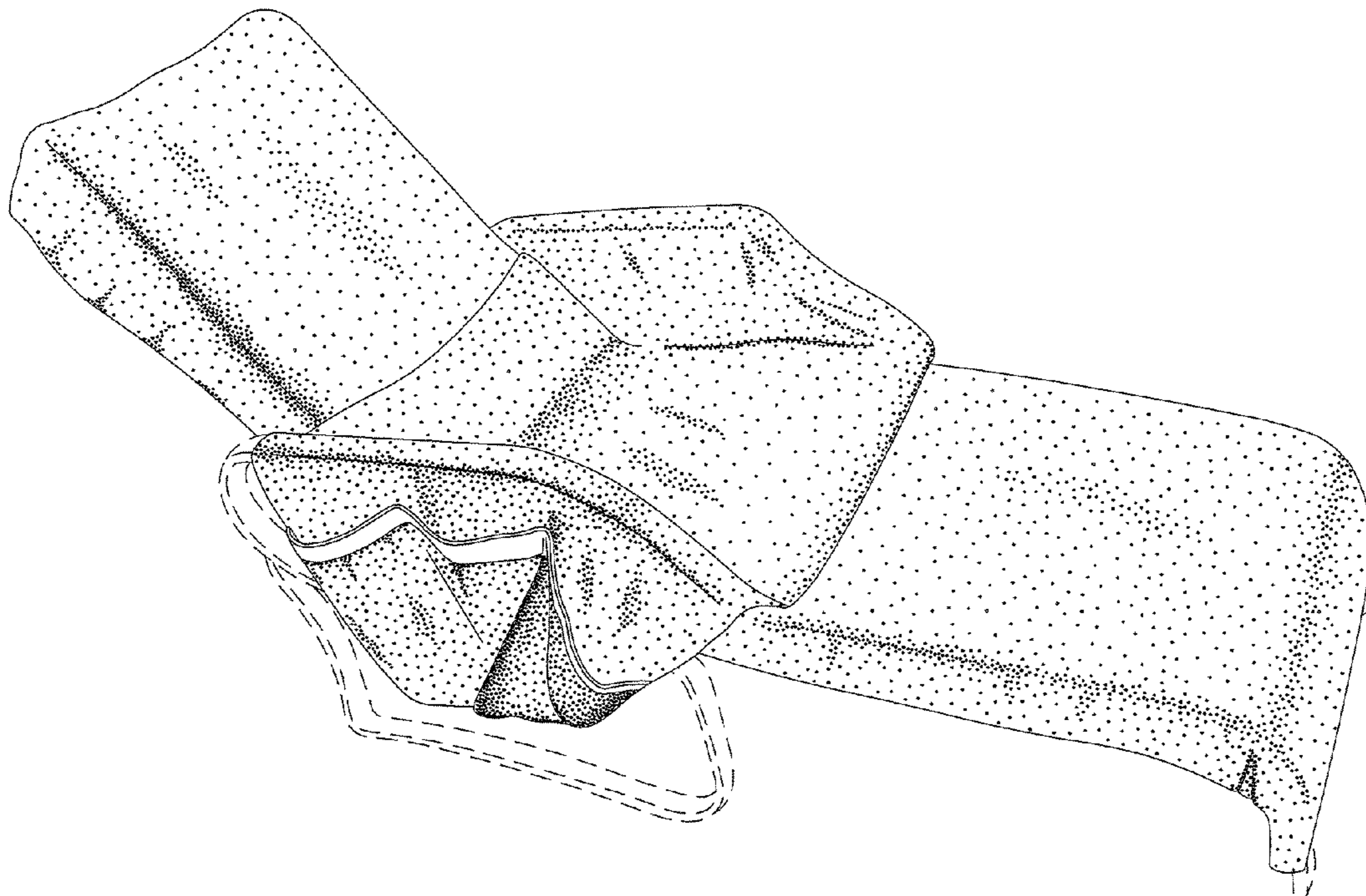
4,536,028	A	8/1985	Jones et al.	
4,725,094	A	2/1988	Greer	
4,877,288	A	10/1989	Lee	
4,892,353	A	1/1990	Goddard	
5,275,463	A	1/1994	Rocha	
5,326,152	A	7/1994	Baron	
D359,411	S *	6/1995	Wade	D6/610
5,620,229	A	4/1997	Ledford	
5,624,157	A	4/1997	Kostuk	
5,671,568	A	9/1997	Armanno, Sr.	
D409,039	S	5/1999	Kuehnl et al.	
6,149,234	A	11/2000	Daniels	
6,309,017	B1 *	10/2001	Middleton	297/219.1
6,616,225	B2	9/2003	Graff	

DESCRIPTION

FIG. 1 is an isometric view of a pocketed cover for a chair showing my new design;
FIG. 2 is a front view thereof;
FIG. 3 is a right side view thereof;
FIG. 4 is a back view thereof;
FIG. 5 is a left side view thereof;
FIG. 6 is a top view thereof; and,
FIG. 7 is a bottom view thereof.

The portions of the drawings shown in broken lines represent environmental structure and form no part of the claimed design.

1 Claim, 5 Drawing Sheets



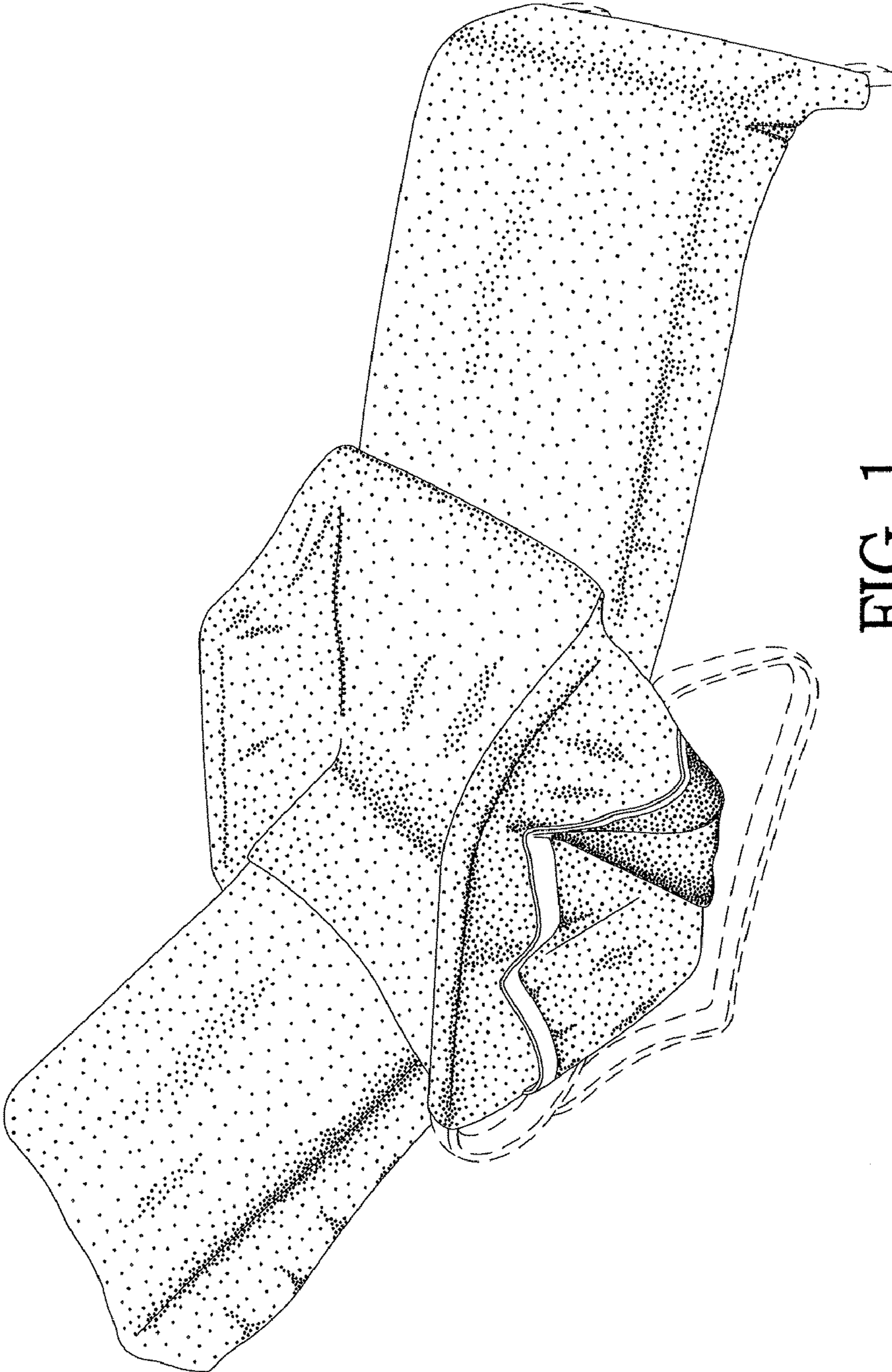


FIG. 1.

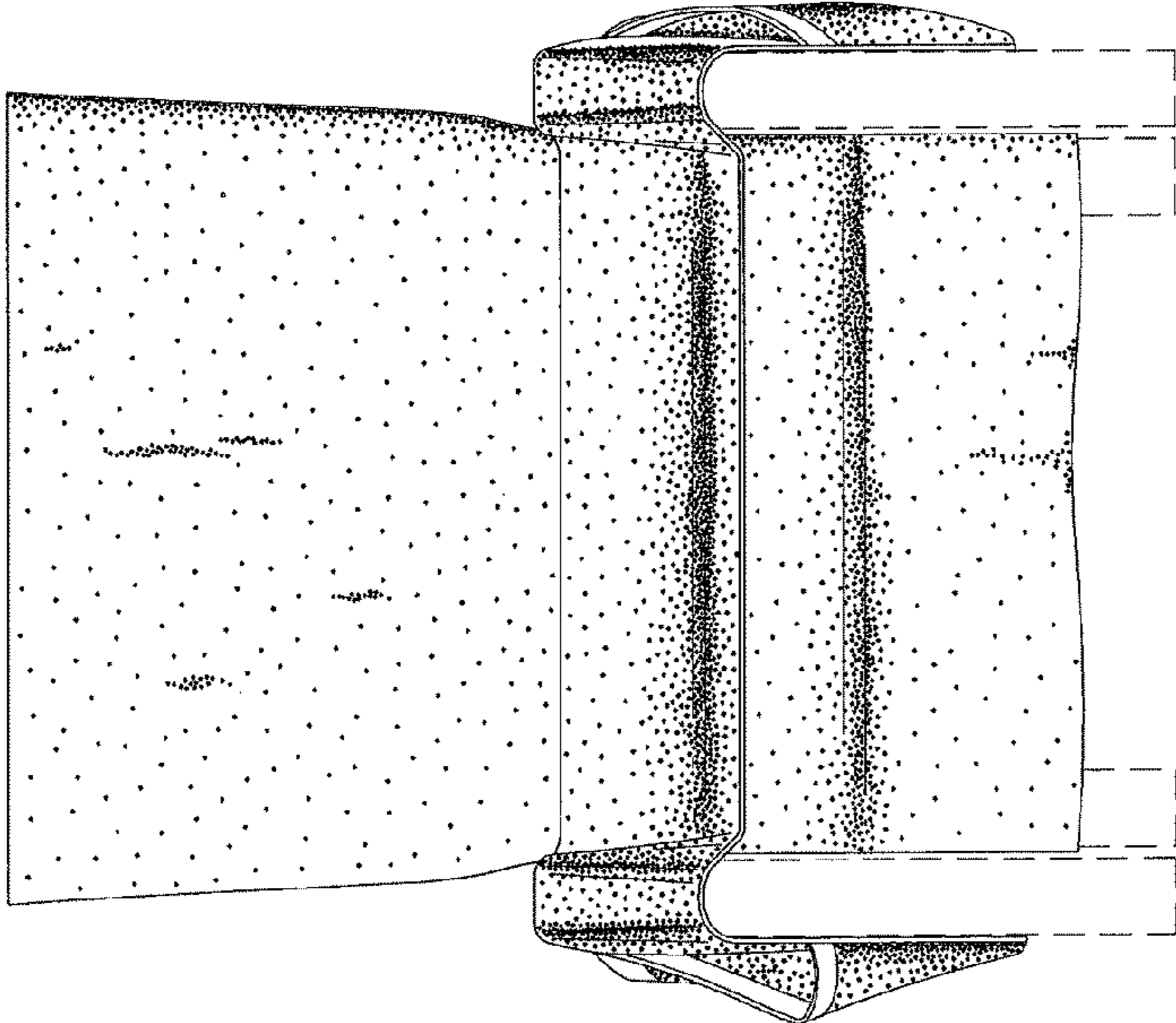


FIG. 2.

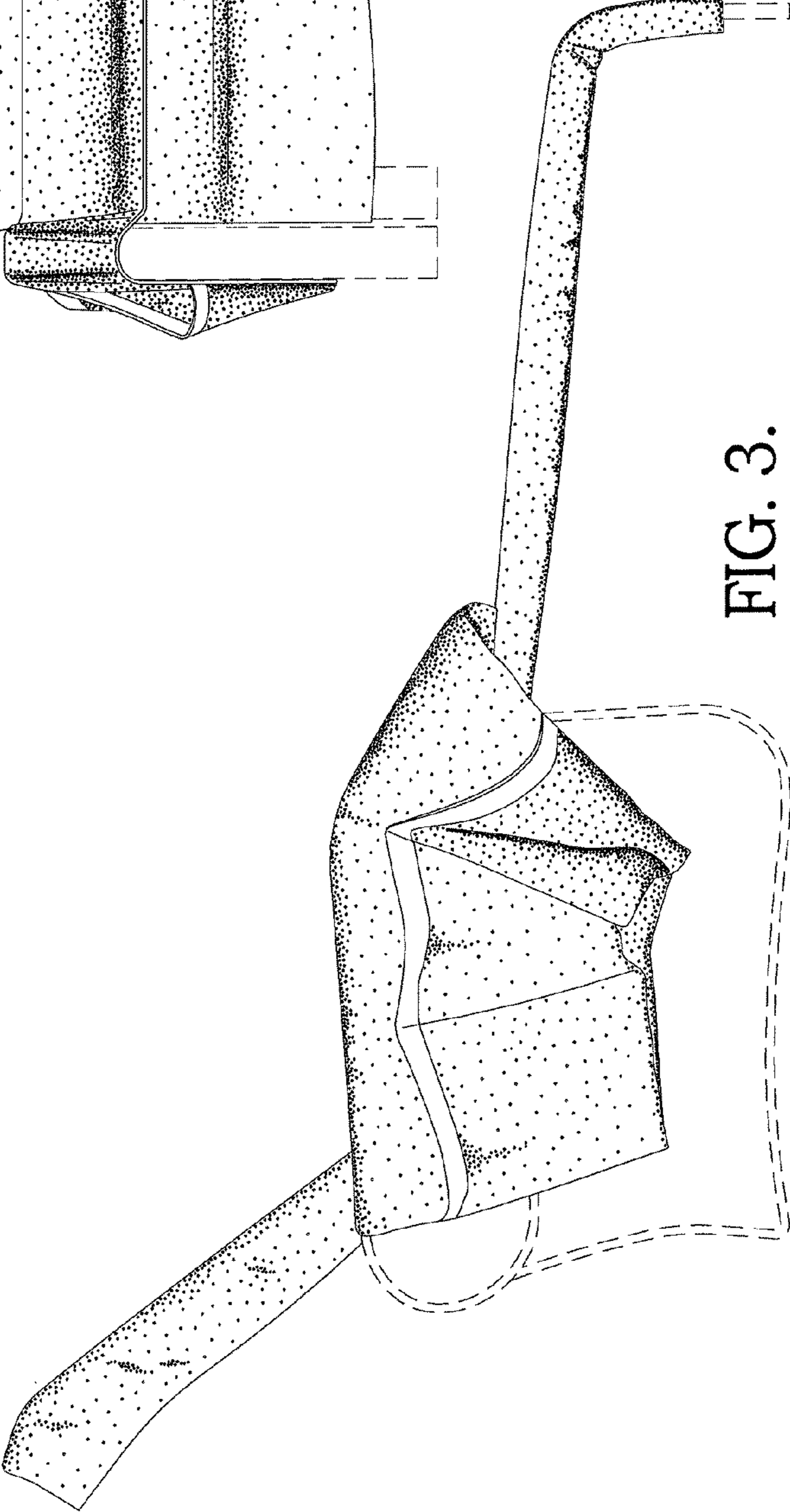


FIG. 3.

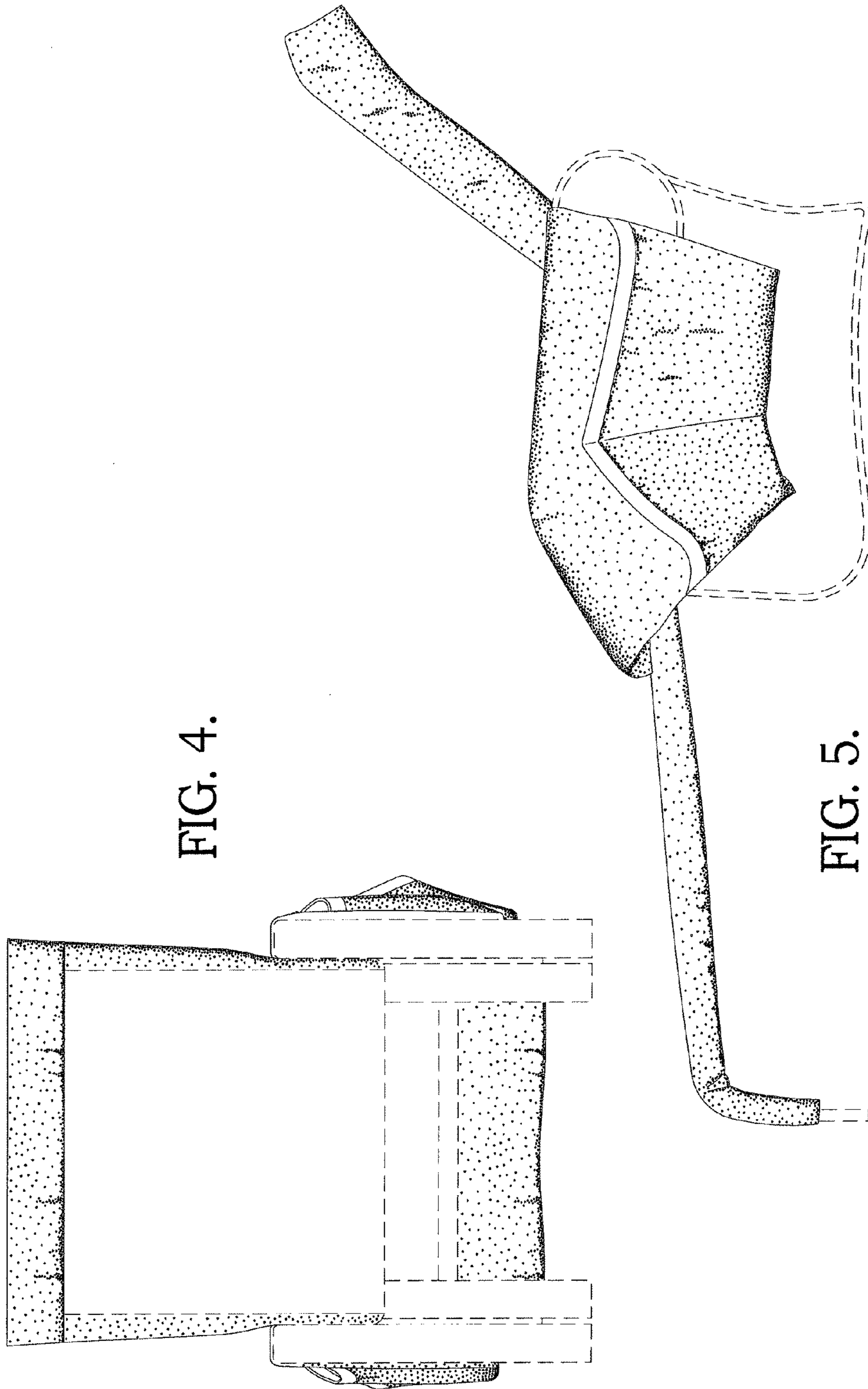


FIG. 4.

FIG. 5.

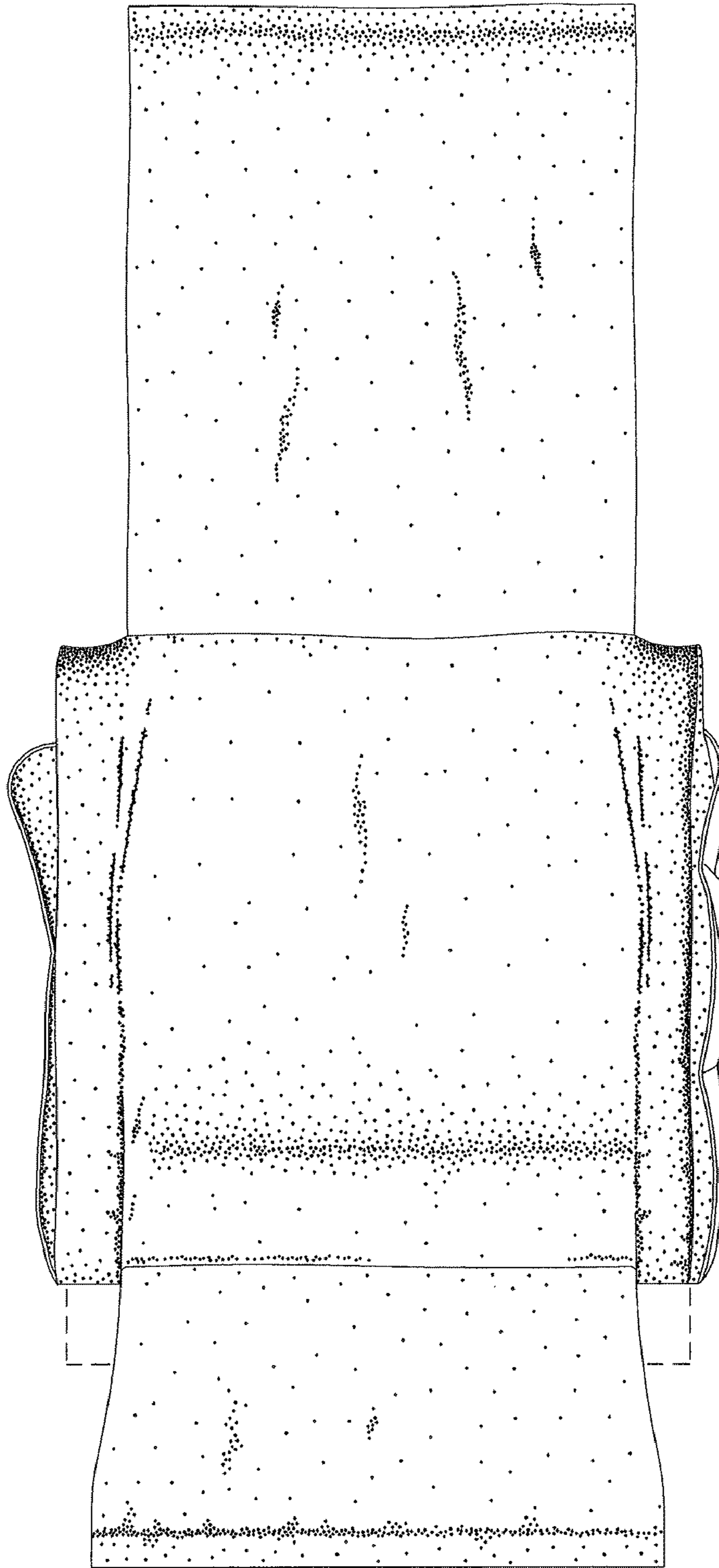


FIG. 6.

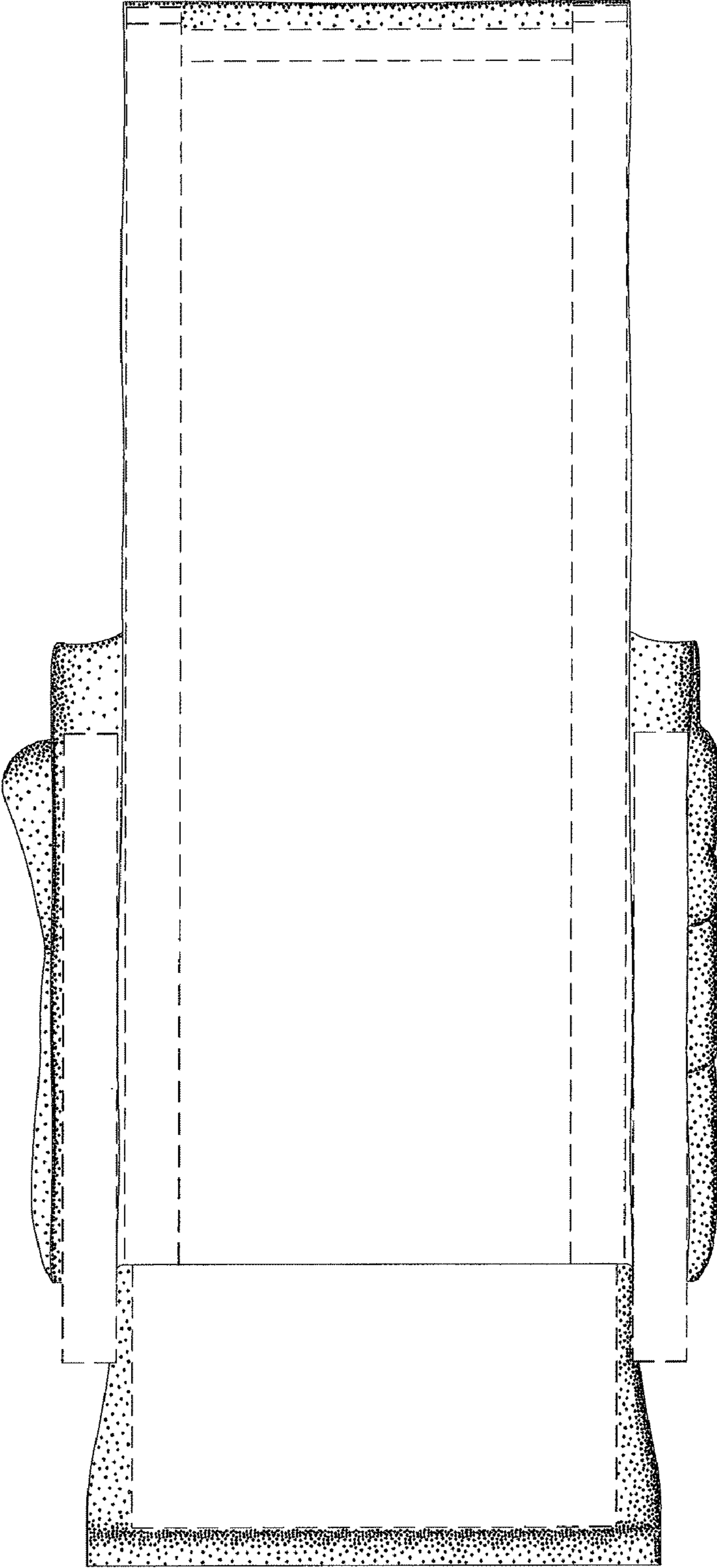


FIG. 7.