



US00D655117S

(12) **United States Design Patent**
Erli

(10) **Patent No.:** **US D655,117 S**
(45) **Date of Patent:** **** Mar. 6, 2012**

(54) **HOLDER FOR BATH UTENSILS**

(75) Inventor: **Silvia Erli**, Telgate (IT)

(73) Assignee: **OKBABY S.r.l.** (IT)

(**) Term: **14 Years**

(21) Appl. No.: **29/380,897**

(22) Filed: **Dec. 13, 2010**

(30) **Foreign Application Priority Data**

Jul. 28, 2010 (EM) 0017370990002

(51) **LOC (9) Cl.** **23-02**

(52) **U.S. Cl.** **D6/525**

(58) **Field of Classification Search** D6/524-525,
D6/566, 349, 380; 108/14, 28, 47, 137, 143;
211/13.1, 71, 74, 75, 86.01, 126.1, 126.9,
211/133.5; 248/441.1; 4/559
See application file for complete search history.

(56) **References Cited**

U.S. PATENT DOCUMENTS

D211,189 S * 5/1968 Barker D6/525
D219,018 S * 10/1970 Brewer D6/380
D264,158 S * 5/1982 Thompson D6/525
4,525,882 A * 7/1985 Stenberg 4/559

4,939,799 A * 7/1990 Van Hovel D6/525
D323,089 S * 1/1992 Koerbel D6/525
D358,458 S * 5/1995 Brightbill et al. D6/525
D359,406 S * 6/1995 Crawford et al. D6/349
D381,229 S * 7/1997 Yemini D6/525
D589,269 S * 3/2009 Allende D6/349
D598,688 S * 8/2009 Yang et al. D6/525

* cited by examiner

Primary Examiner — Brian N Vinson

(74) *Attorney, Agent, or Firm* — Fish & Richardson P.C.

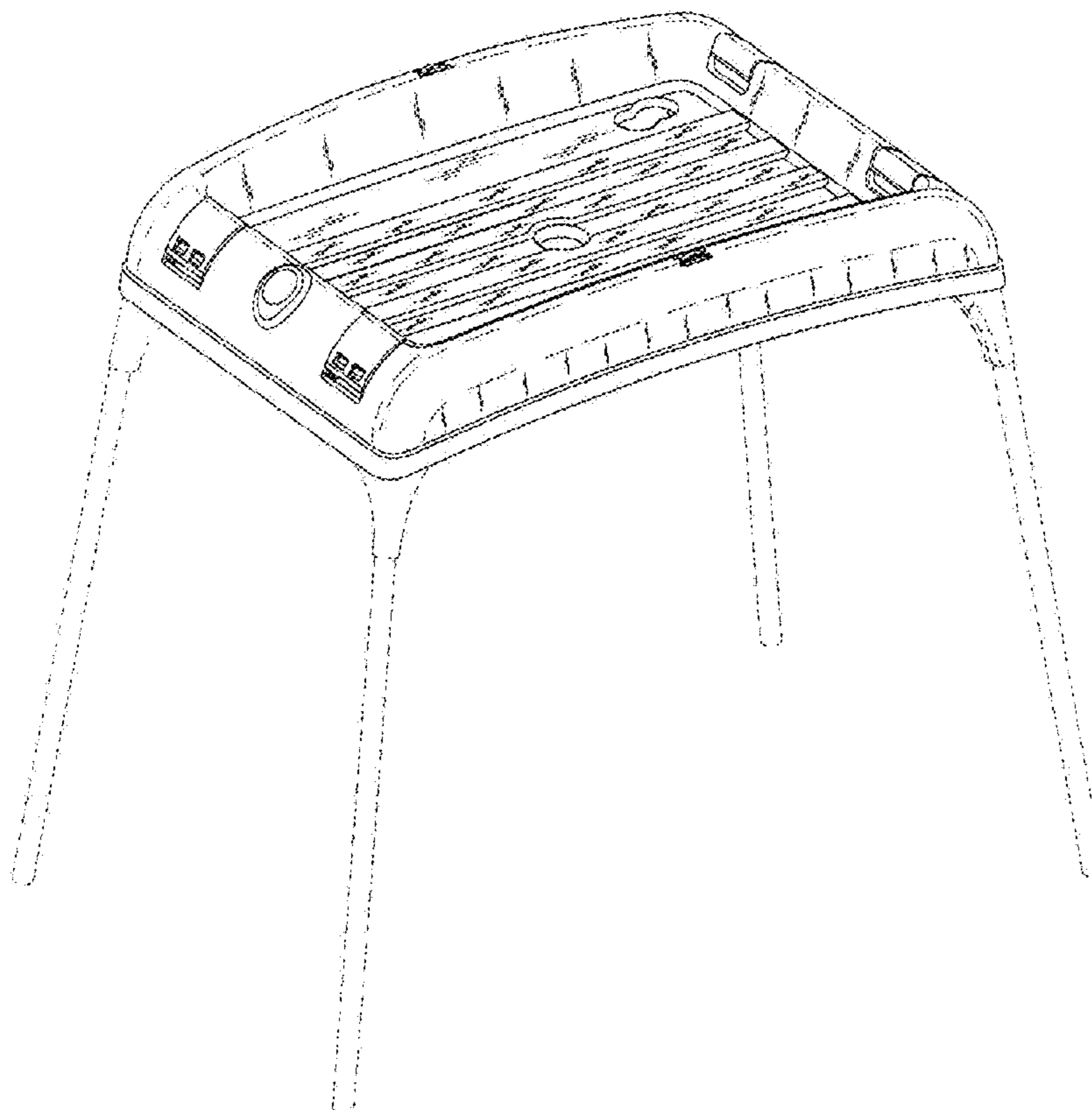
(57) **CLAIM**

The ornamental design for a holder for bath utensils, as shown and described.

DESCRIPTION

FIG. 1 is a perspective view of a holder for bath utensils showing my new design;
FIG. 2 is a rear elevational view thereof;
FIG. 3 is a right side elevational view thereof;
FIG. 4 is a front elevational view thereof;
FIG. 5 is a left side elevational view thereof; and,
FIG. 6 is a top plan view thereof.
The broken-line disclosure in the views is understood to represent portions of the article in which the claimed design is embodied, but which forms no part of the claimed design.

1 Claim, 6 Drawing Sheets



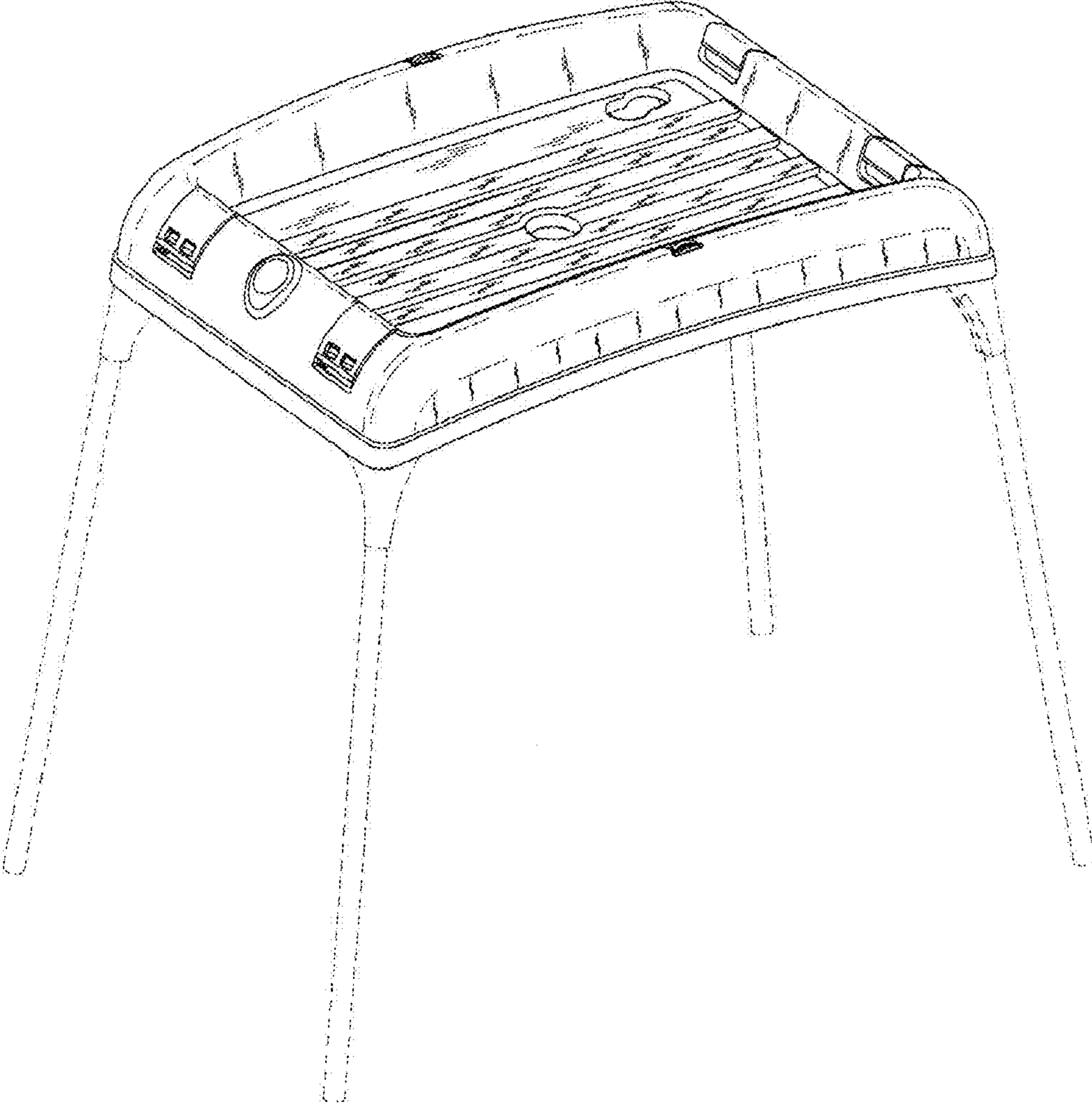


Fig. 1

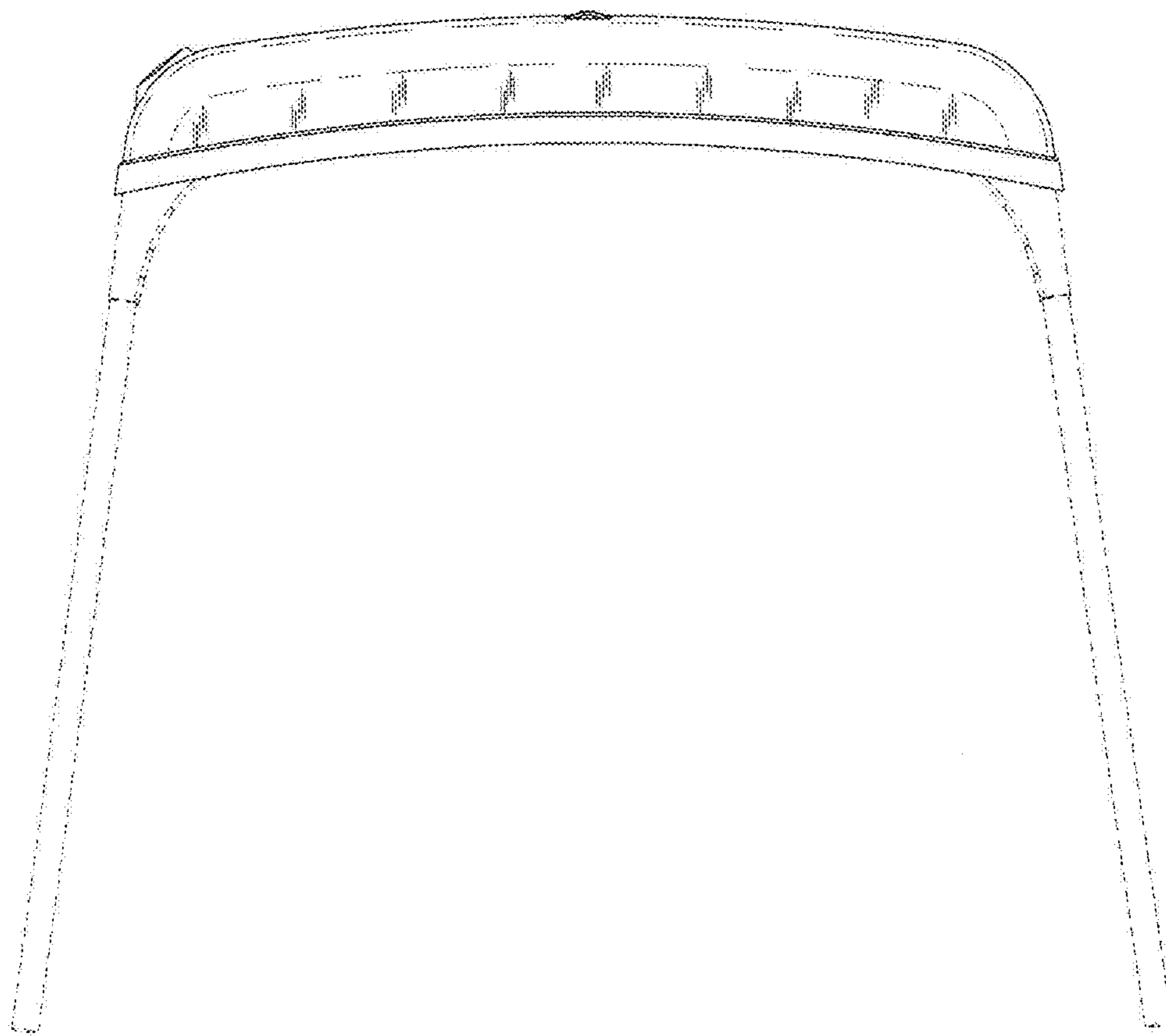


Fig.2

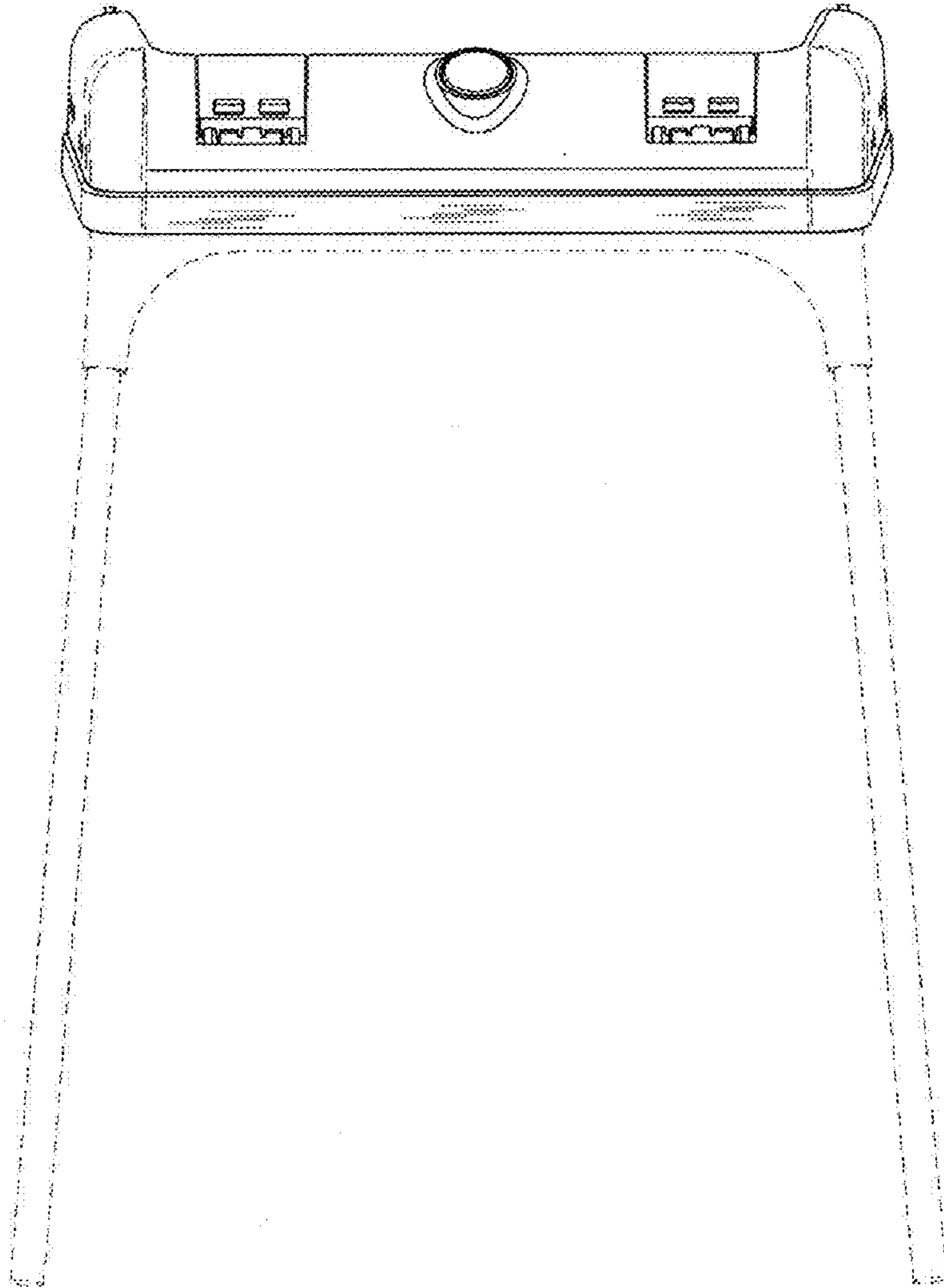


Fig.3

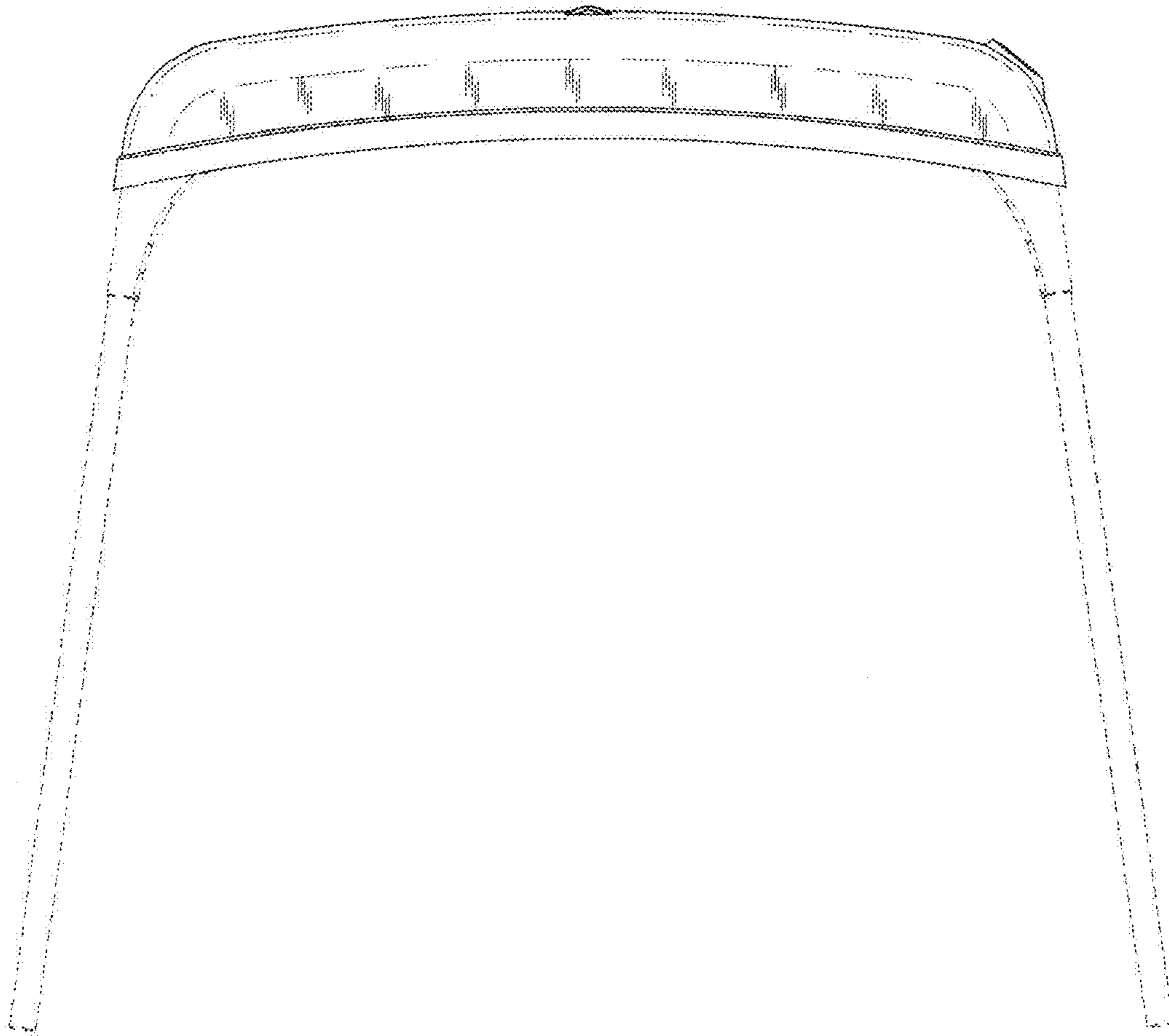


Fig.4

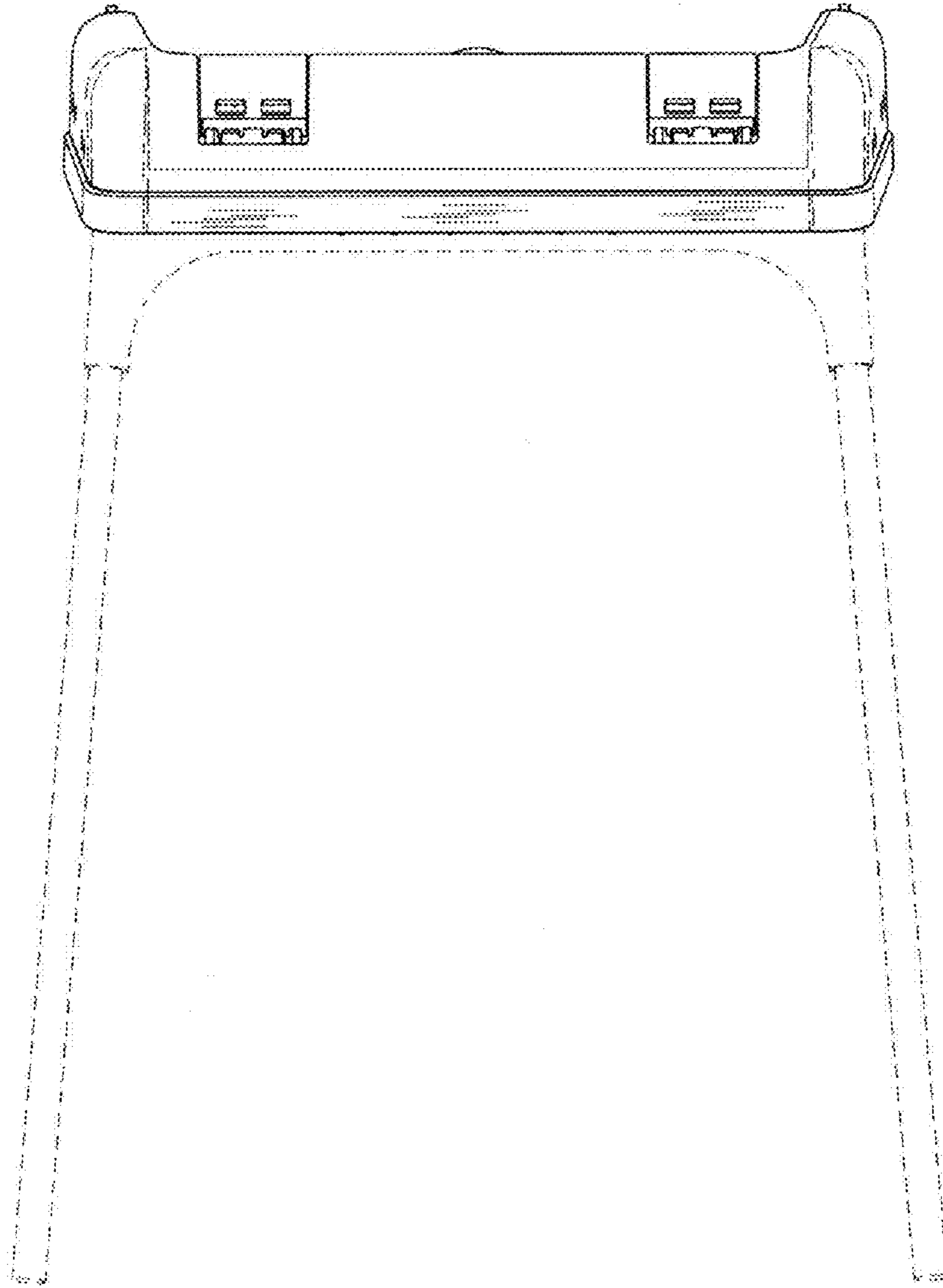


Fig.5

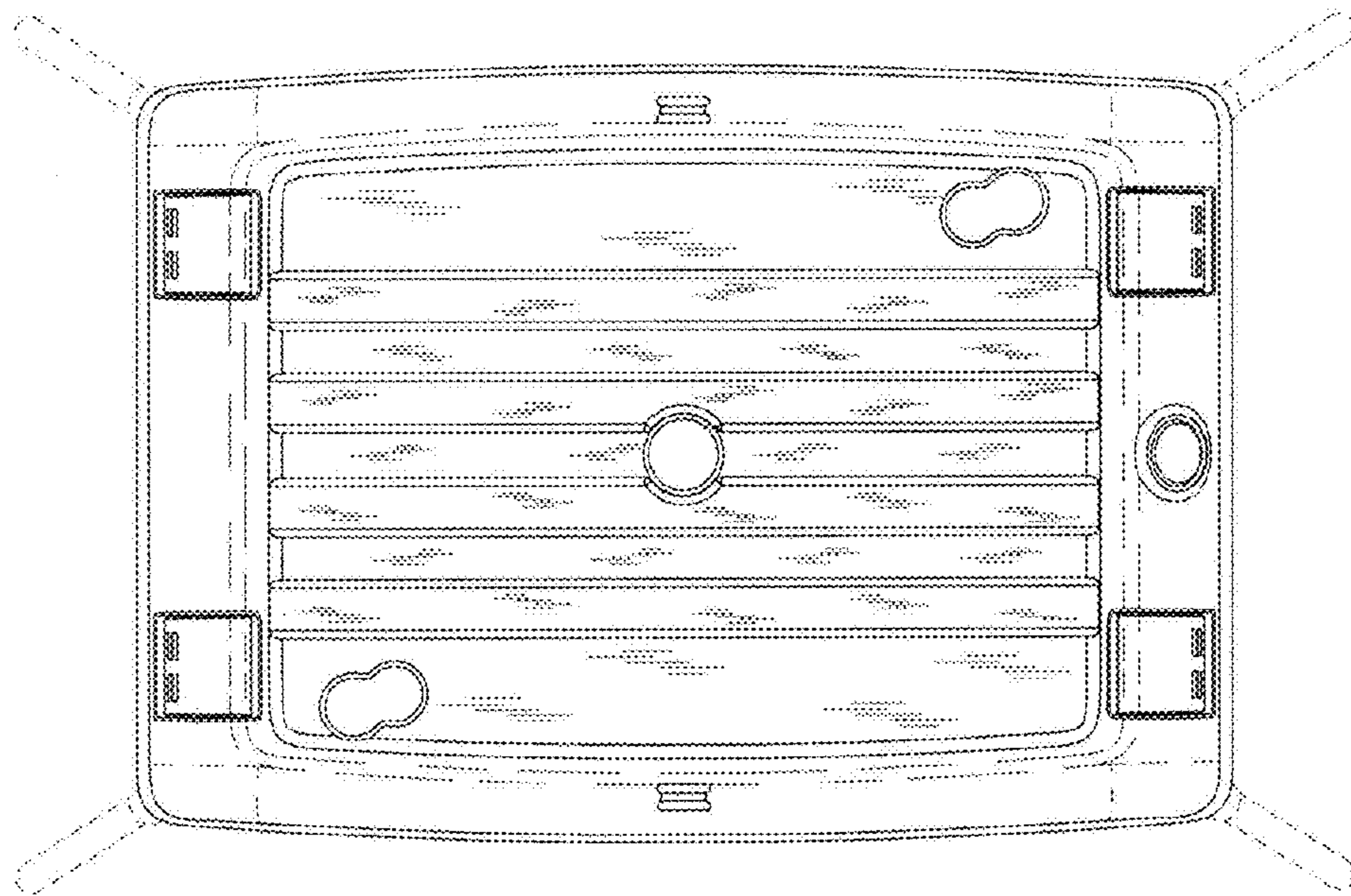


Fig.6