



US00D655114S

(12) **United States Design Patent**
Chamberlain

(10) **Patent No.:** **US D655,114 S**
(45) **Date of Patent:** **** Mar. 6, 2012**

(54) **MOUNTABLE EQUIPMENT STOWAGE
DEVICE**

D622,448 S * 8/2010 Whitman D6/513
* cited by examiner

(76) Inventor: **Justin M. Chamberlain**, Overland Park,
KS (US)

Primary Examiner — Brian N Vinson
(74) *Attorney, Agent, or Firm* — Law Office of Mark Brown,
LLC; Mark E. Brown

(**) Term: **14 Years**

(21) Appl. No.: **29/392,783**

(57) **CLAIM**
The ornamental design for a mountable equipment stowage
device, as shown and described.

(22) Filed: **May 26, 2011**

(51) **LOC (9) Cl.** **06-06**

(52) **U.S. Cl.** **D6/513**

(58) **Field of Classification Search** D28/73;
211/85.2, 85.29, 113, 85.3; 206/581, 823,
206/495; D6/513, 553

See application file for complete search history.

DESCRIPTION

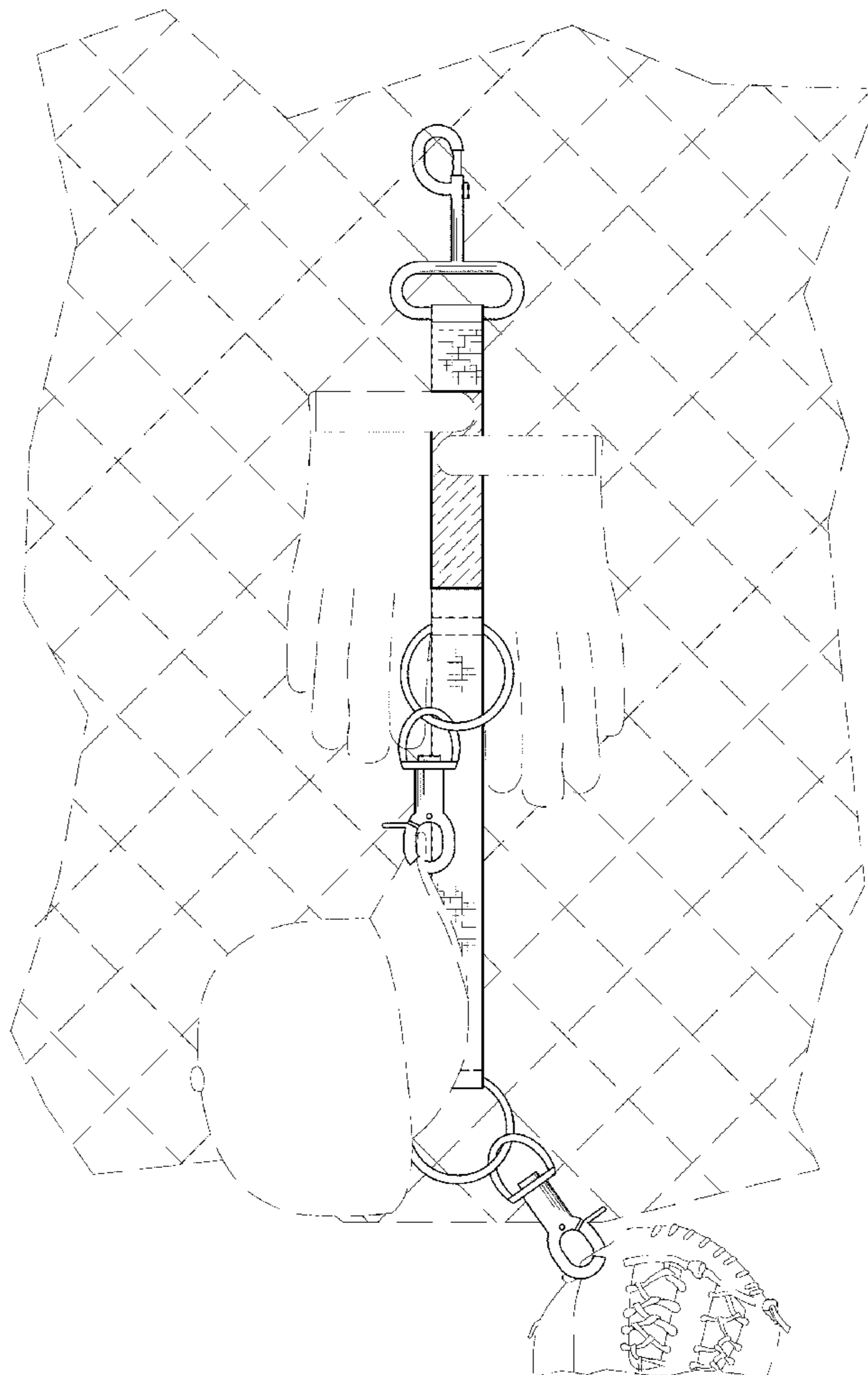
FIG. 1 is a front elevational view of a mountable equipment
stowage device showing my new design, the broken-line dis-
closure being understood to represent environmental ele-
ments which form no part of the claimed design;
FIG. 2 is a front elevational view thereof;
FIG. 3 is a rear elevational view thereof;
FIG. 4 is a right side elevational view thereof;
FIG. 5 is a left side elevational view thereof;
FIG. 6 is a top plan view thereof; and,
FIG. 7 is a bottom plan view thereof.

(56) **References Cited**

U.S. PATENT DOCUMENTS

D364,523 S * 11/1995 Carter D6/553
D365,236 S * 12/1995 Stockwell D6/552
D415,674 S * 10/1999 Pahl D6/513

1 Claim, 4 Drawing Sheets



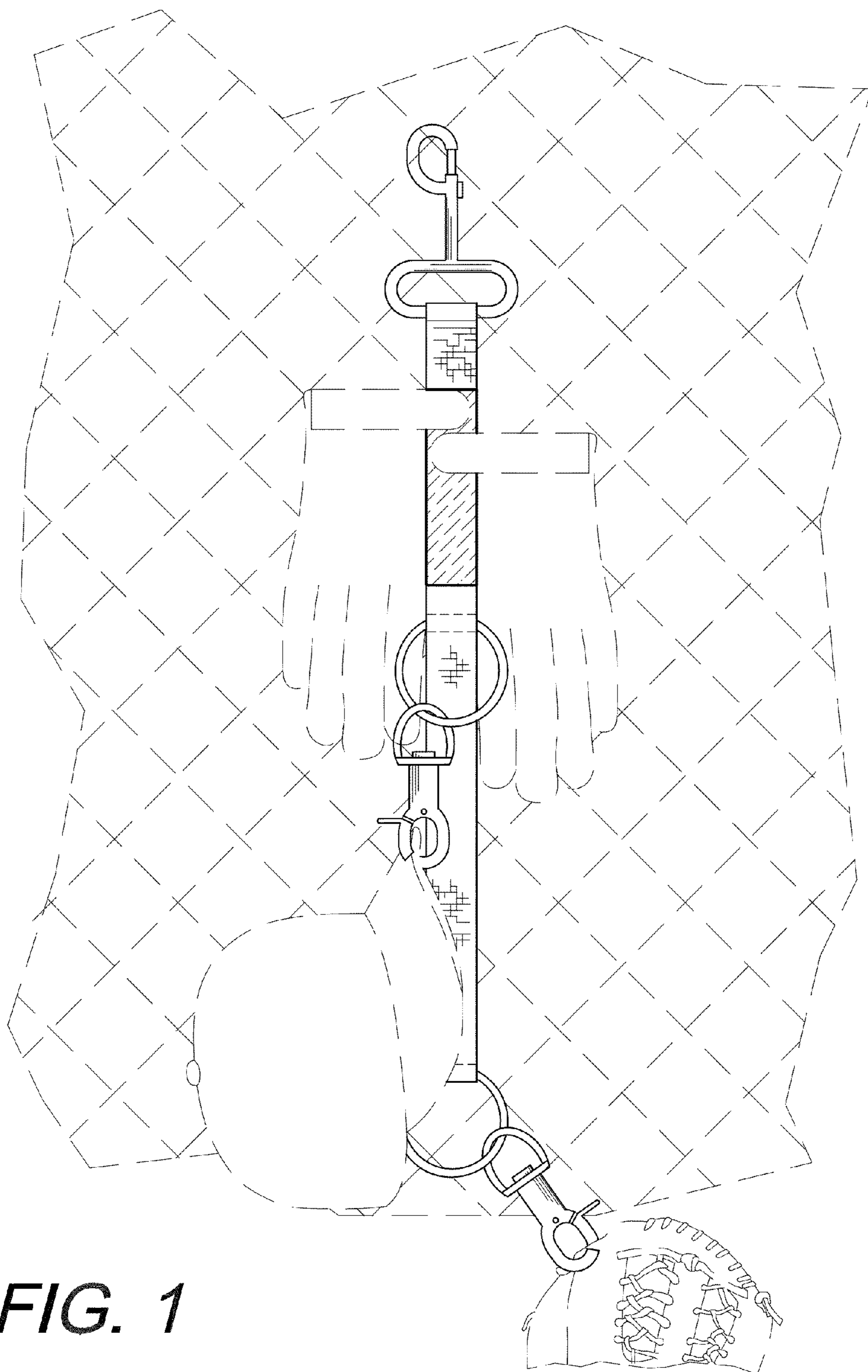


FIG. 1

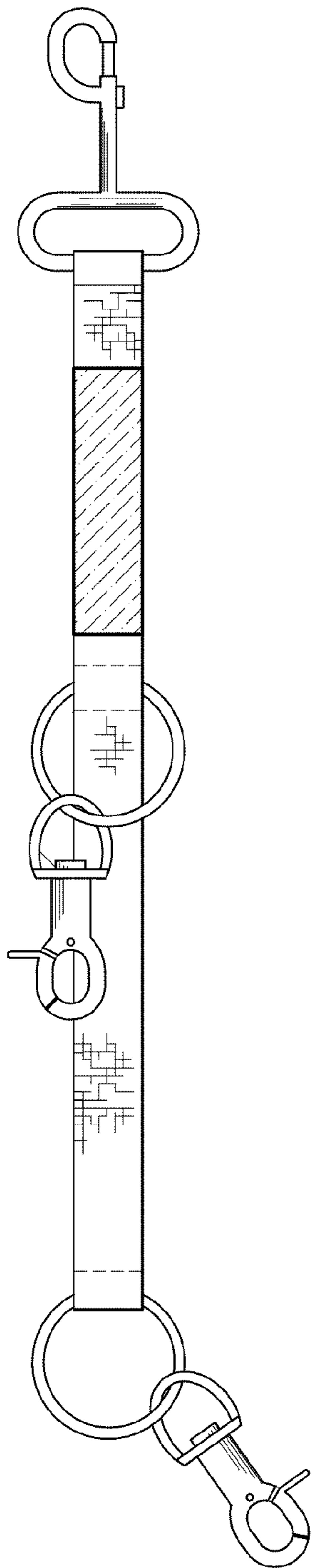


FIG. 2

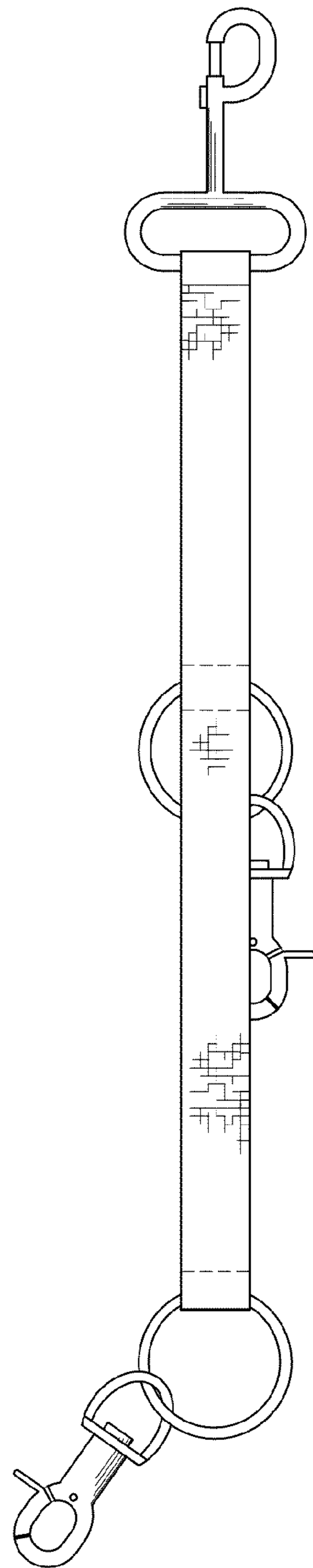


FIG. 3

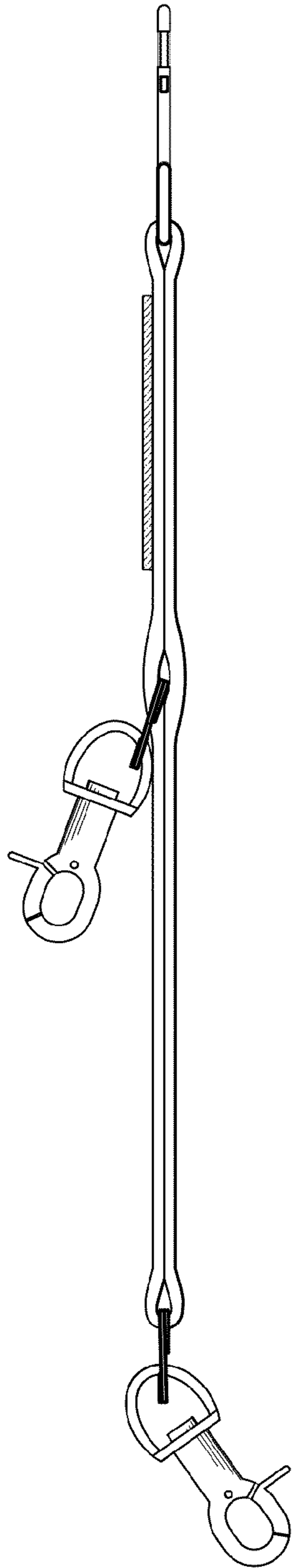


FIG. 4

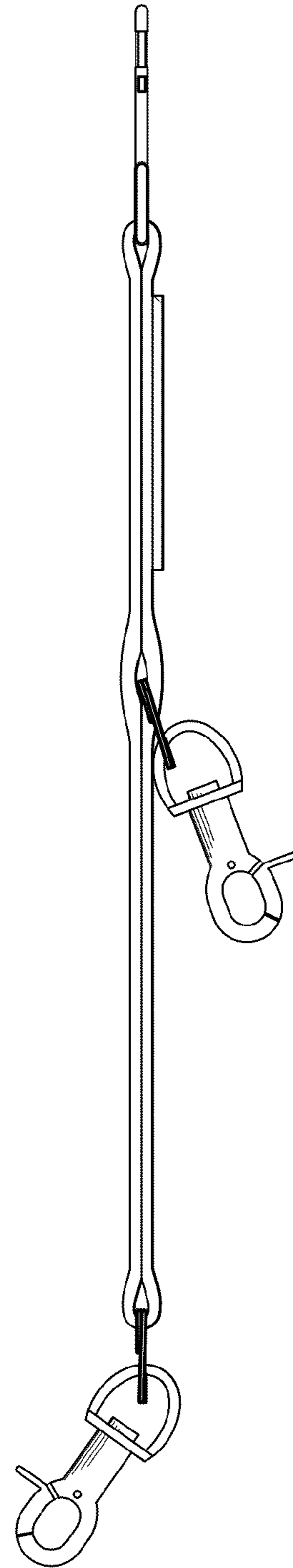


FIG. 5

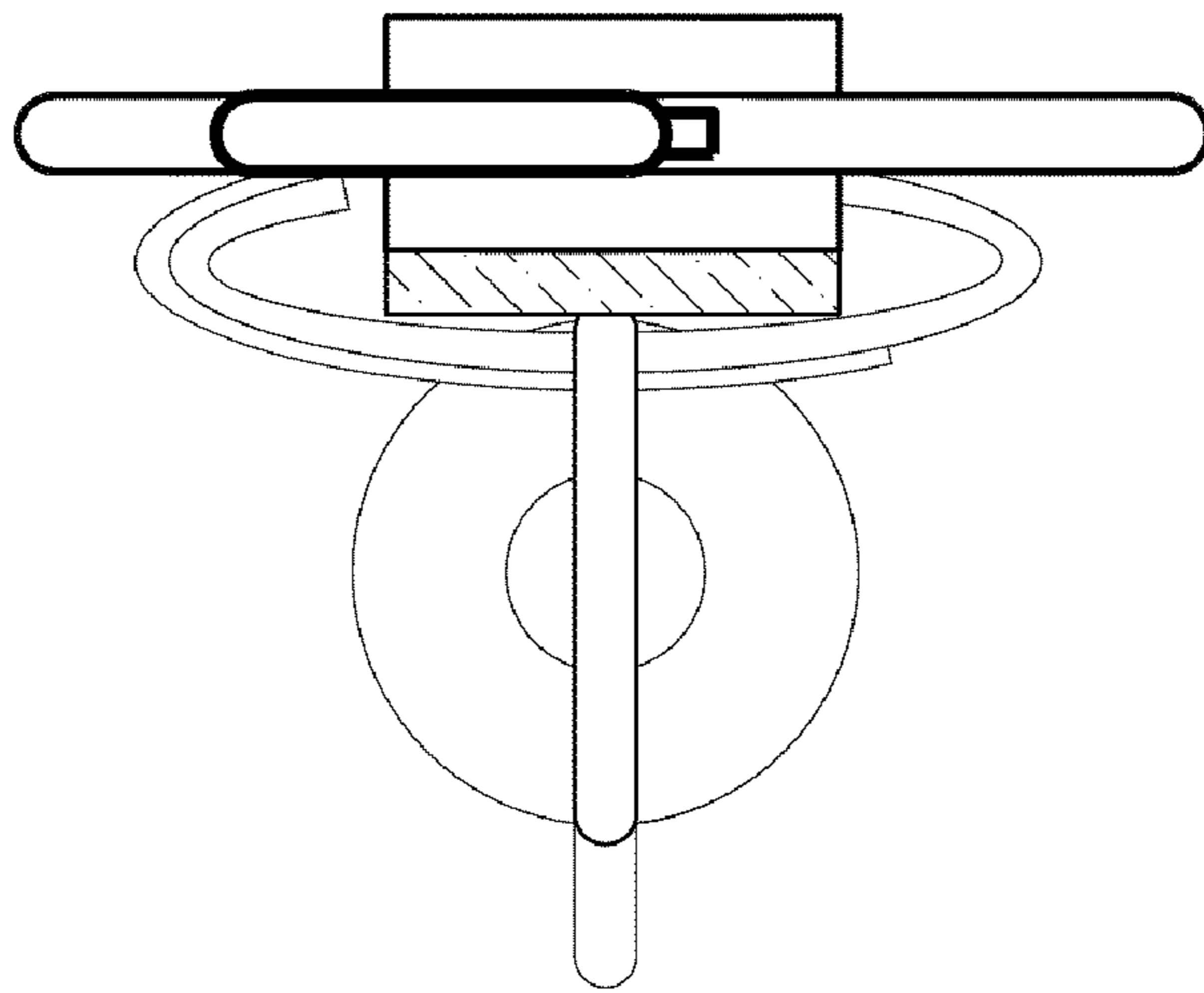


FIG. 6

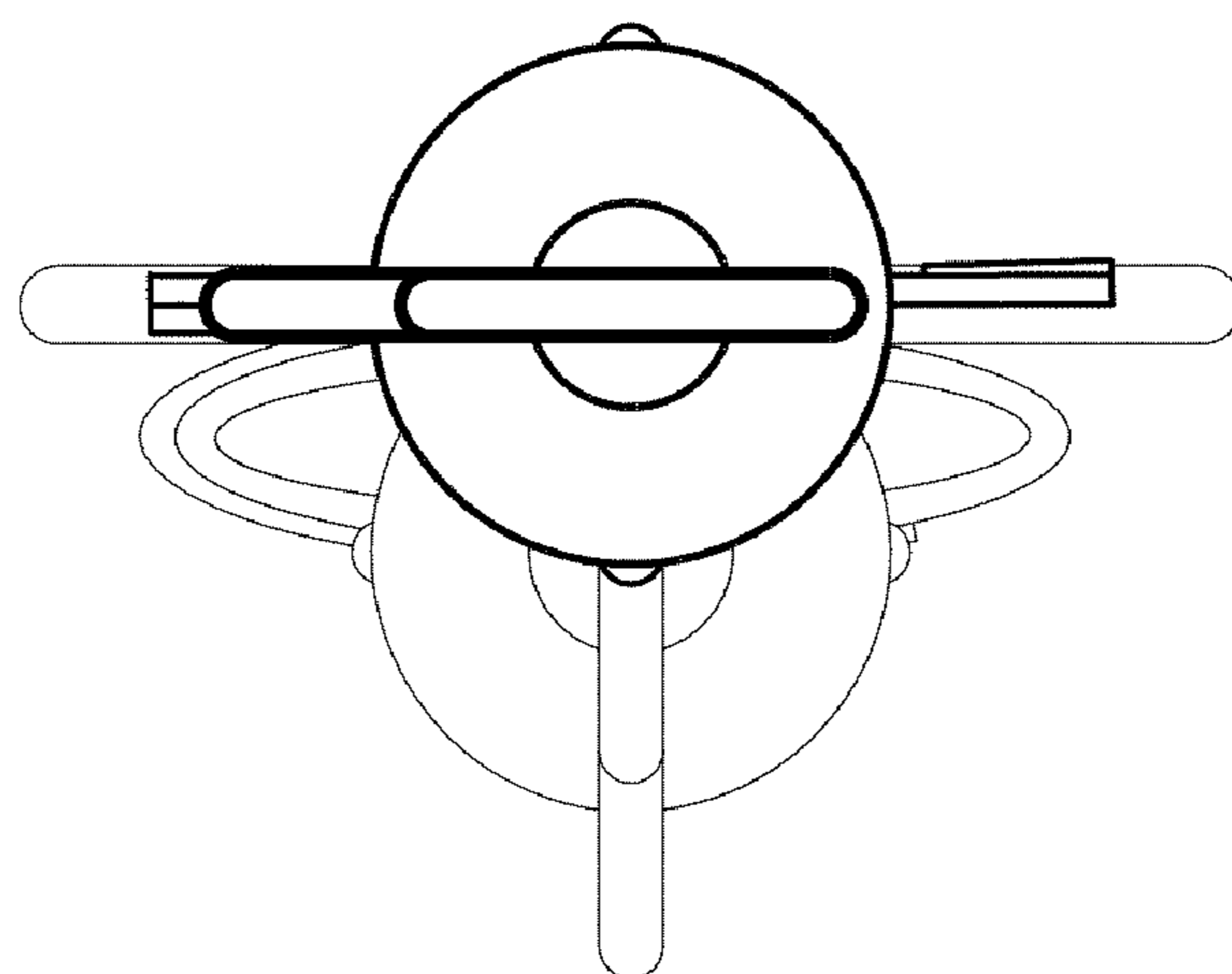


FIG. 7