



US00D655113S

(12) **United States Design Patent**
Wiegmann et al.

(10) **Patent No.:** **US D655,113 S**
(45) **Date of Patent:** **** Mar. 6, 2012**

- (54) **ARCUATE SEAT SUPPORT TUBE FOR AN INFANT CARE APPARATUS**
- (75) Inventors: **Elijah M. Wiegmann**, Pittsburgh, PA (US); **Robert D. Daley**, Pittsburgh, PA (US); **Frederick Karl Hopke**, Glenshaw, PA (US)
- (73) Assignee: **Thorley Industries LLC**, Pittsburgh, PA (US)
- (**) Term: **14 Years**
- (21) Appl. No.: **29/399,694**
- (22) Filed: **Aug. 17, 2011**

Related U.S. Application Data

- (63) Continuation of application No. 29/342,870, filed on Sep. 2, 2009, now Pat. No. Des. 645,264.
- (51) **LOC (9) Cl.** **06-01**
- (52) **U.S. Cl.** **D6/500**
- (58) **Field of Classification Search** D6/333, D6/339, 500; 297/184.13, 184.17, 219.12, 297/250.1, 256.16, 463.1; D21/428; D12/129; 5/655

See application file for complete search history.

References Cited

U.S. PATENT DOCUMENTS

D237,023	S	*	10/1975	Romi	D6/360
D282,791	S	*	3/1986	Lockett et al.	D6/333
D297,685	S	*	9/1988	Wilson	D6/348
D321,599	S	*	11/1991	Takahashi et al.	D6/333
5,411,315	A	*	5/1995	Greenwood	297/440.24
5,509,721	A	*	4/1996	Huang	297/452.13
5,617,594	A	*	4/1997	Chien	5/102
D419,311	S	*	1/2000	Maggeni et al.	D6/333
D480,884	S	*	10/2003	Kane et al.	D6/348
D492,519	S	*	7/2004	Nolan	D6/500
6,811,217	B2	*	11/2004	Kane et al.	297/270.2

6,851,745	B2	*	2/2005	Favorita et al.	297/16.1
D513,130	S	*	12/2005	Canna et al.	D6/333
D518,967	S	*	4/2006	Canna et al.	D6/333
D560,374	S	*	1/2008	Bergkvist	D6/333
D579,673	S	*	11/2008	Mancuso et al.	D6/339
D583,719	S	*	12/2008	Siewertsen	D12/129
D594,667	S	*	6/2009	Wang	D6/339
7,571,926	B2	*	8/2009	Huang	280/647
D600,927	S	*	9/2009	Lake et al.	D6/339
D601,818	S	*	10/2009	Lake et al.	D6/339
D602,266	S	*	10/2009	Hagstrom	D6/333
D611,257	S	*	3/2010	Jacobs et al.	D6/333
D612,621	S	*	3/2010	Ekstrom	D6/333
D615,909	S	*	5/2010	Thorne et al.	D12/129
D619,817	S	*	7/2010	Gower et al.	D6/339
D623,429	S	*	9/2010	Plested et al.	D6/339
D645,264	S	*	9/2011	Wiegmann et al.	D6/339
2005/0060805	A1	*	3/2005	Chen	5/617
2007/0246916	A1	*	10/2007	Hou	280/642
2009/0014985	A1	*	1/2009	Huang	280/647

* cited by examiner

Primary Examiner — Sandra Snapp

(57) **CLAIM**

The ornamental design for an arcuate seat support tube for an infant care apparatus, as shown and described.

DESCRIPTION

FIG. 1 is a left front perspective view of an arcuate seat support tube for an infant care apparatus in accordance with the present invention;

FIG. 2 is a left side view thereof;

FIG. 3 is a rear perspective view thereof;

FIG. 4 is a top plan view thereof;

FIG. 5 is a front side view thereof;

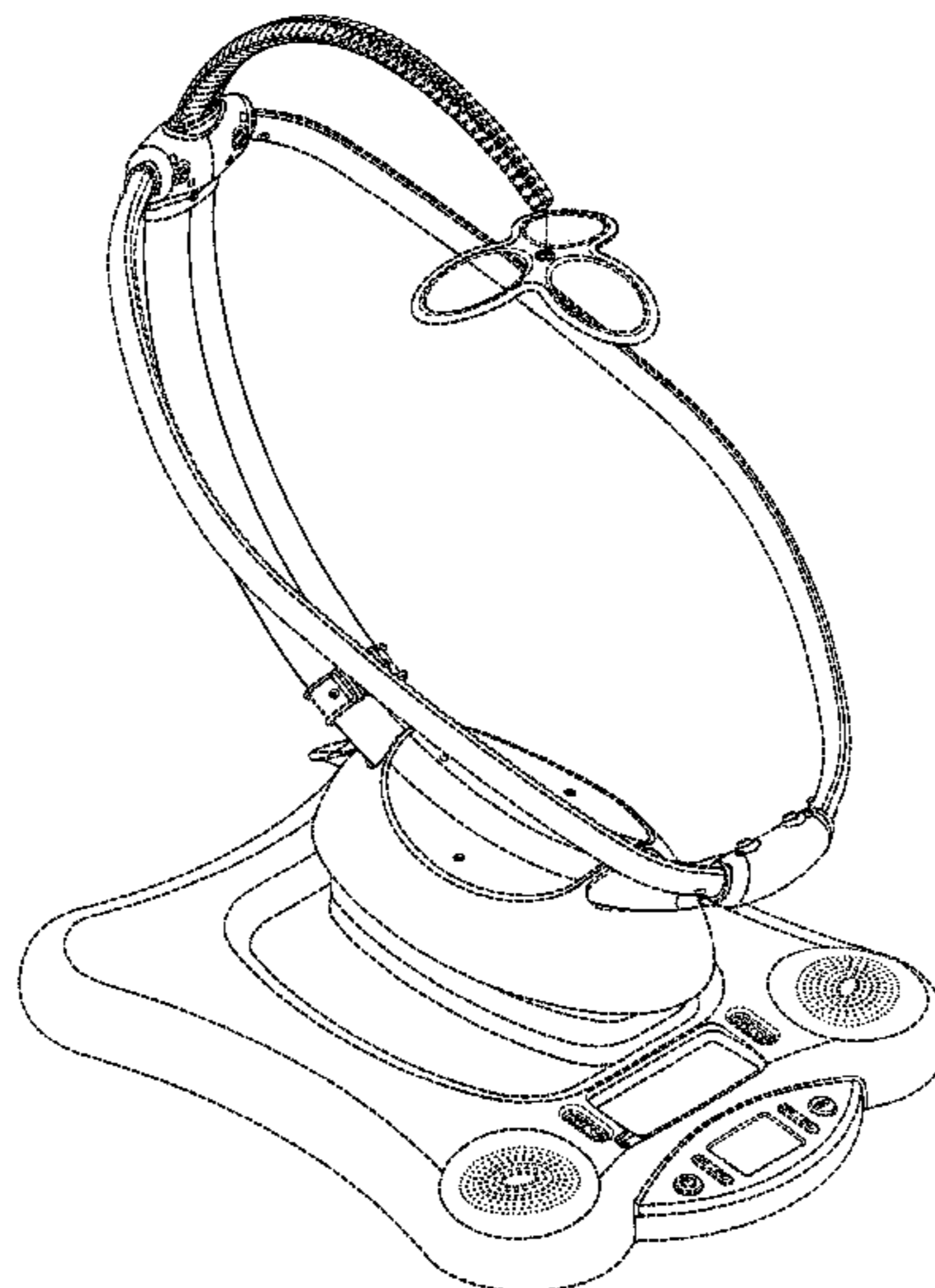
FIG. 6 is a rear side view thereof;

FIG. 7 is a bottom plan view thereof; and,

FIG. 8 is a right side view thereof.

The broken lines shown in the drawings are for illustrative purposes only and form no part of the claimed design.

1 Claim, 8 Drawing Sheets



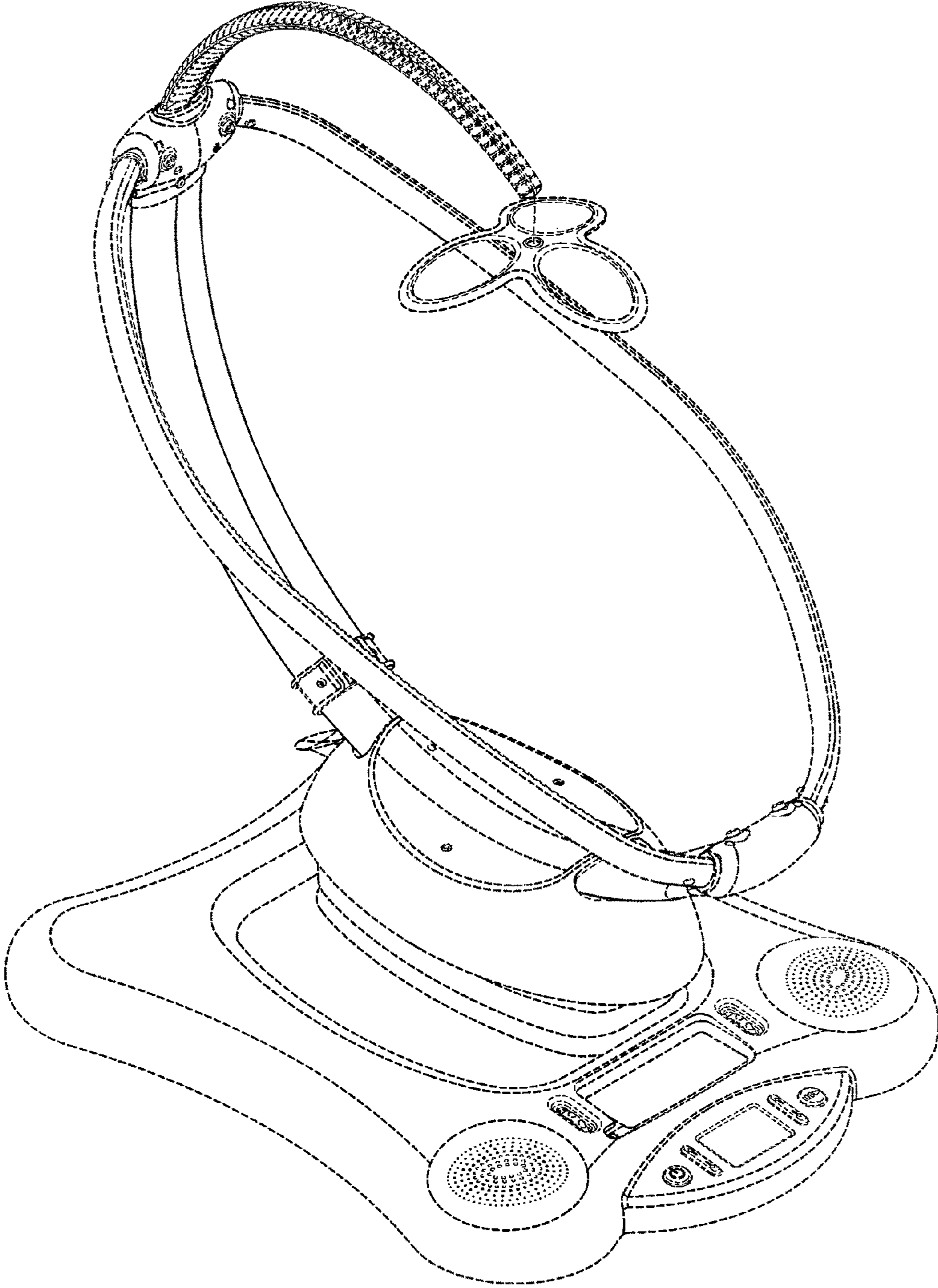


FIG. 1

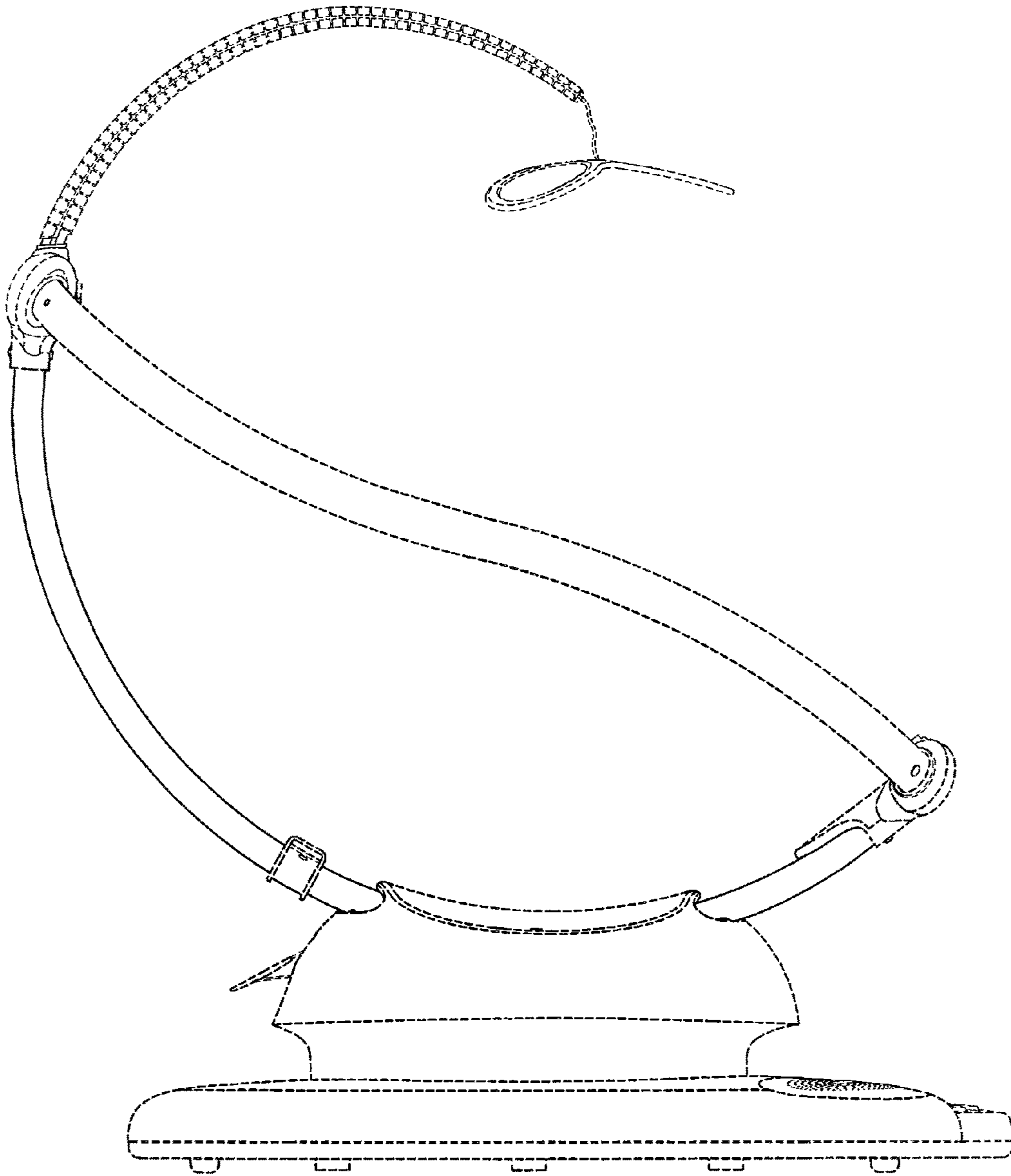


FIG.2

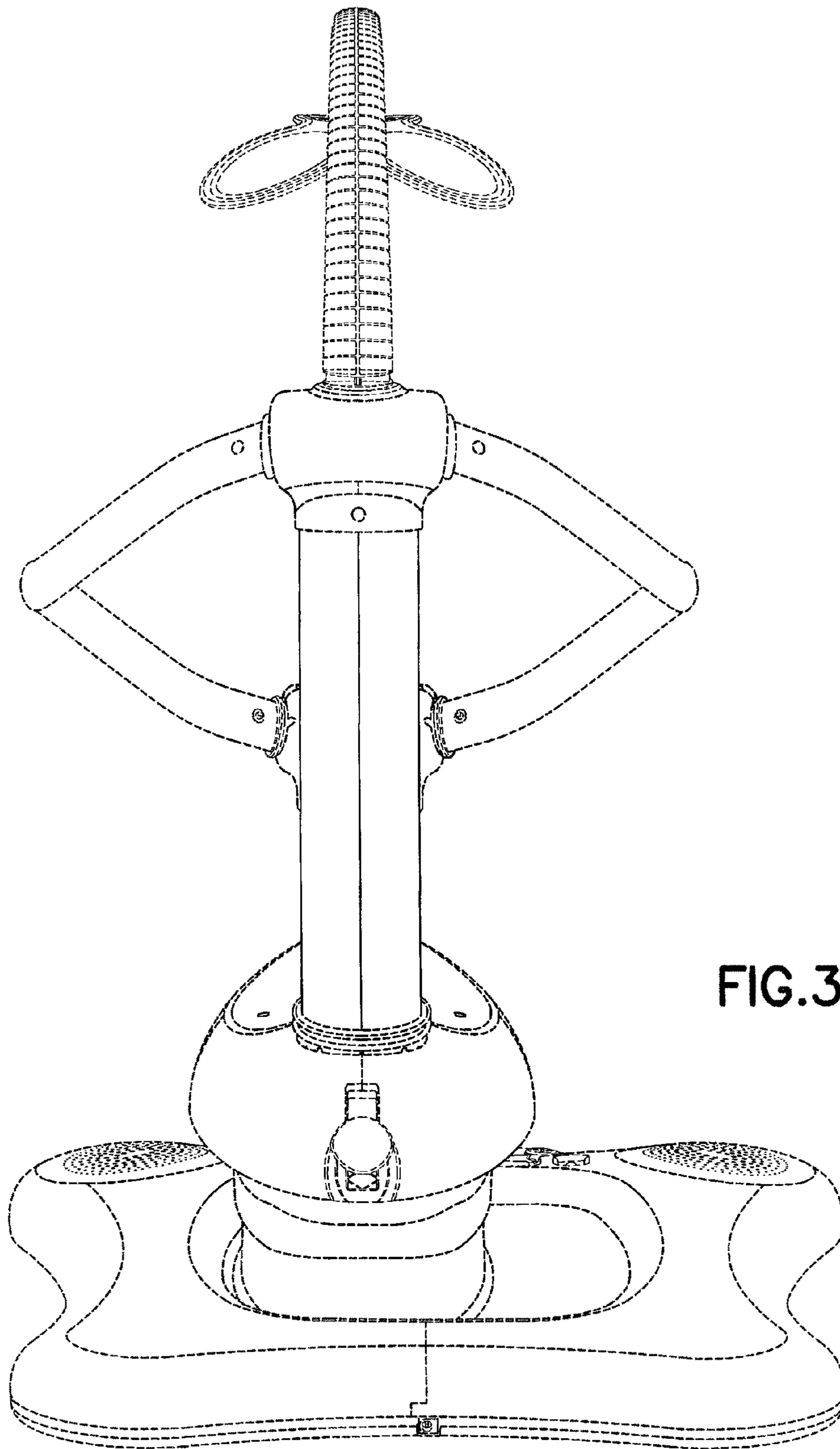


FIG. 3

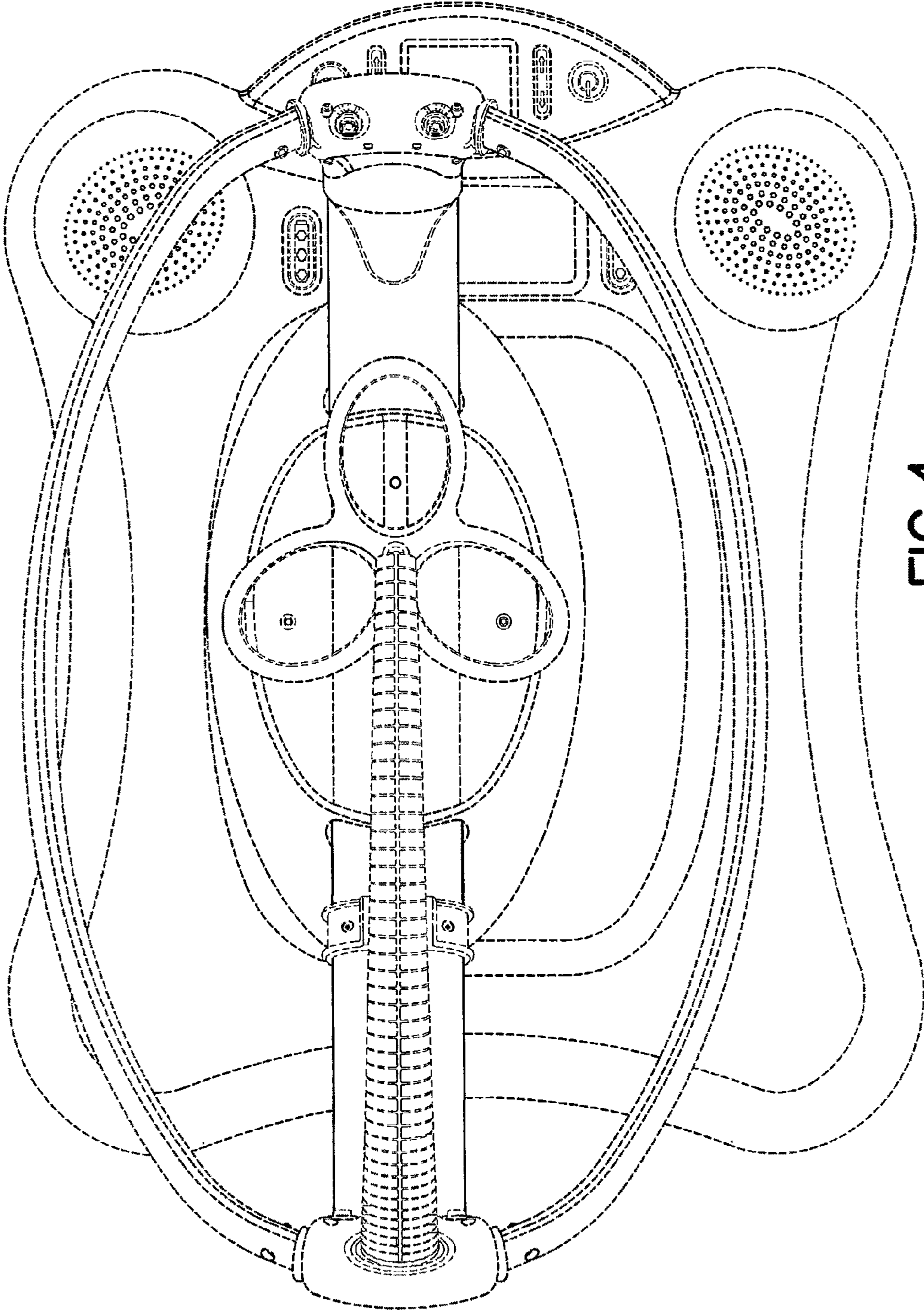


FIG. 4

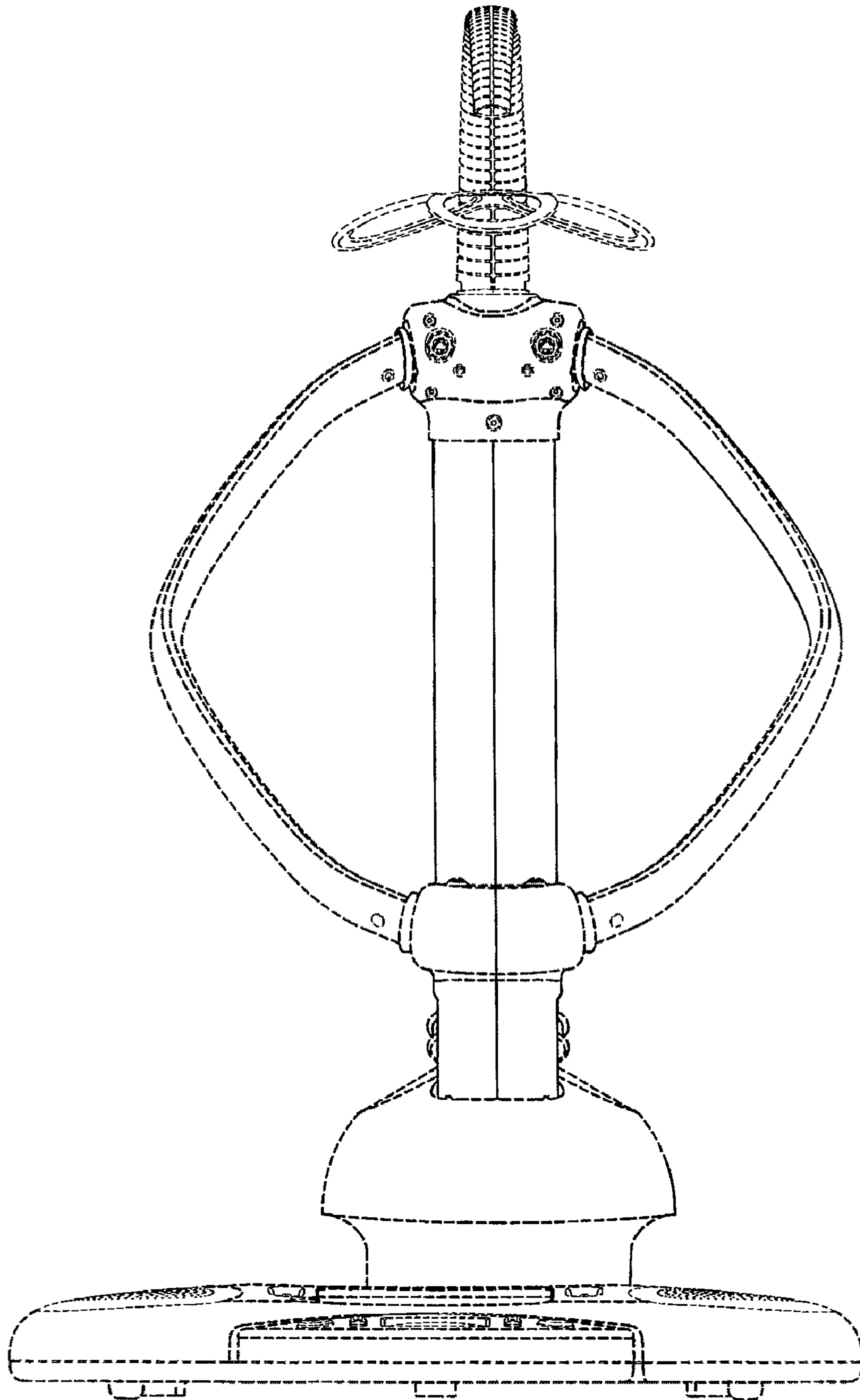


FIG. 5

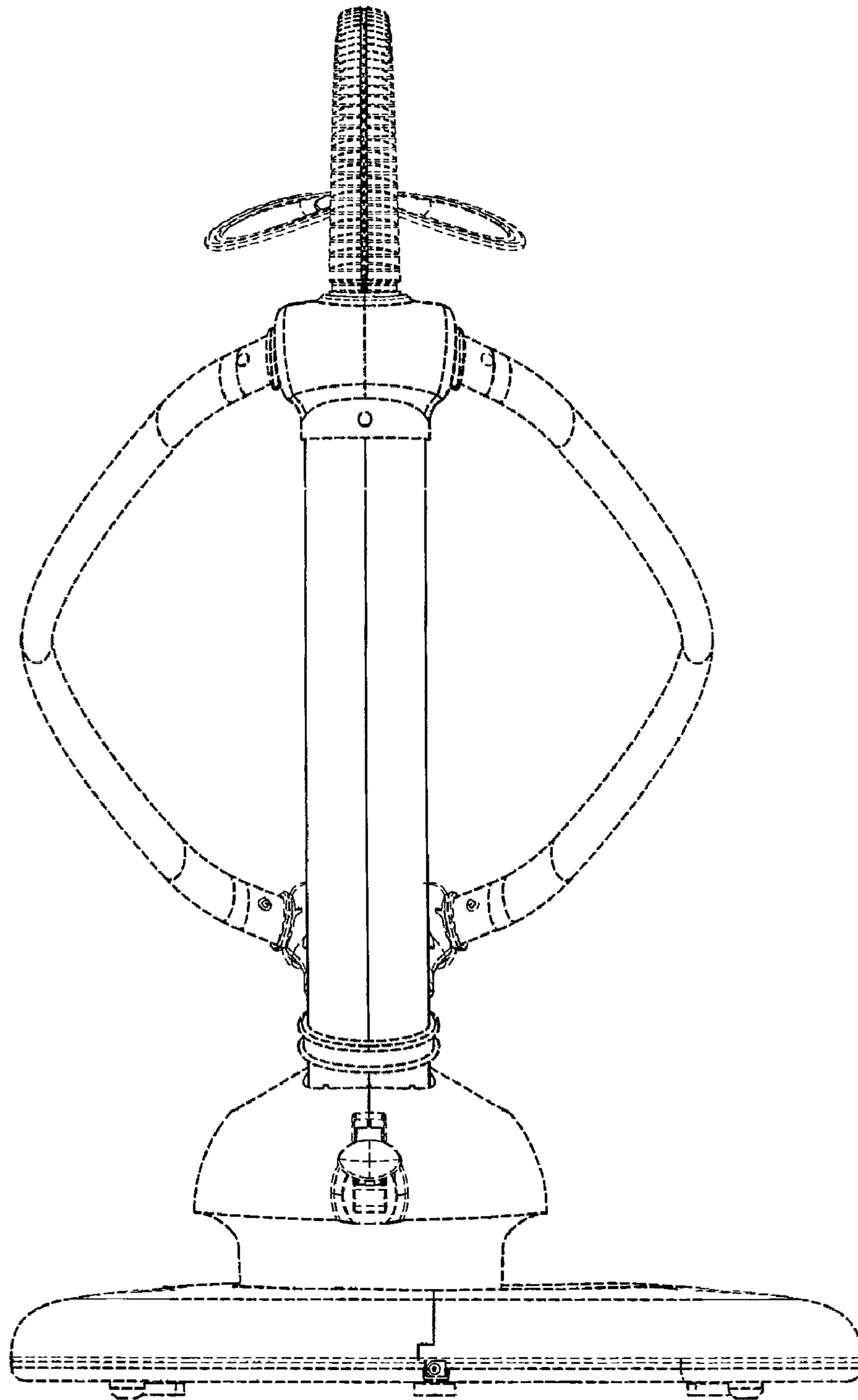


FIG. 6

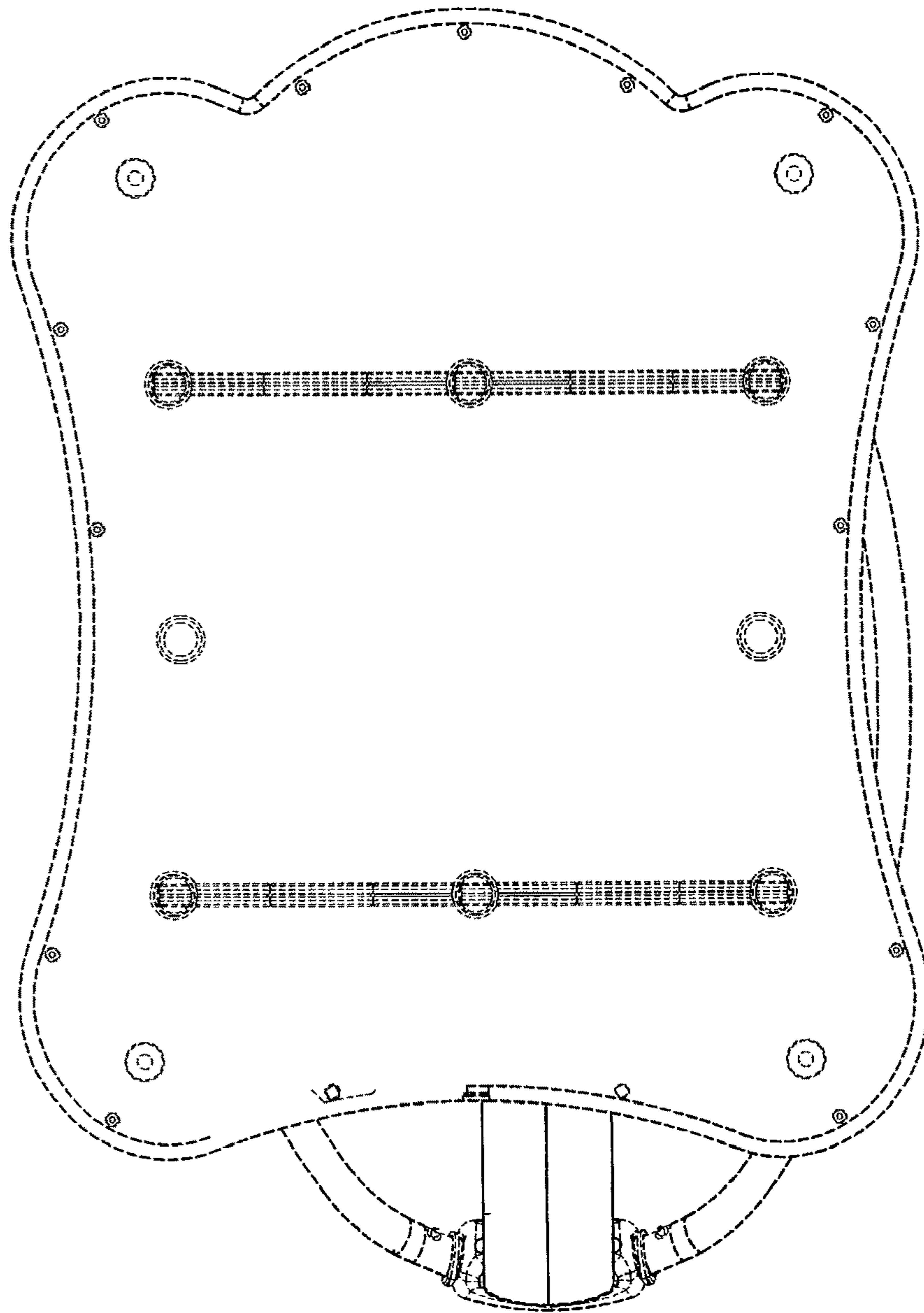


FIG. 7

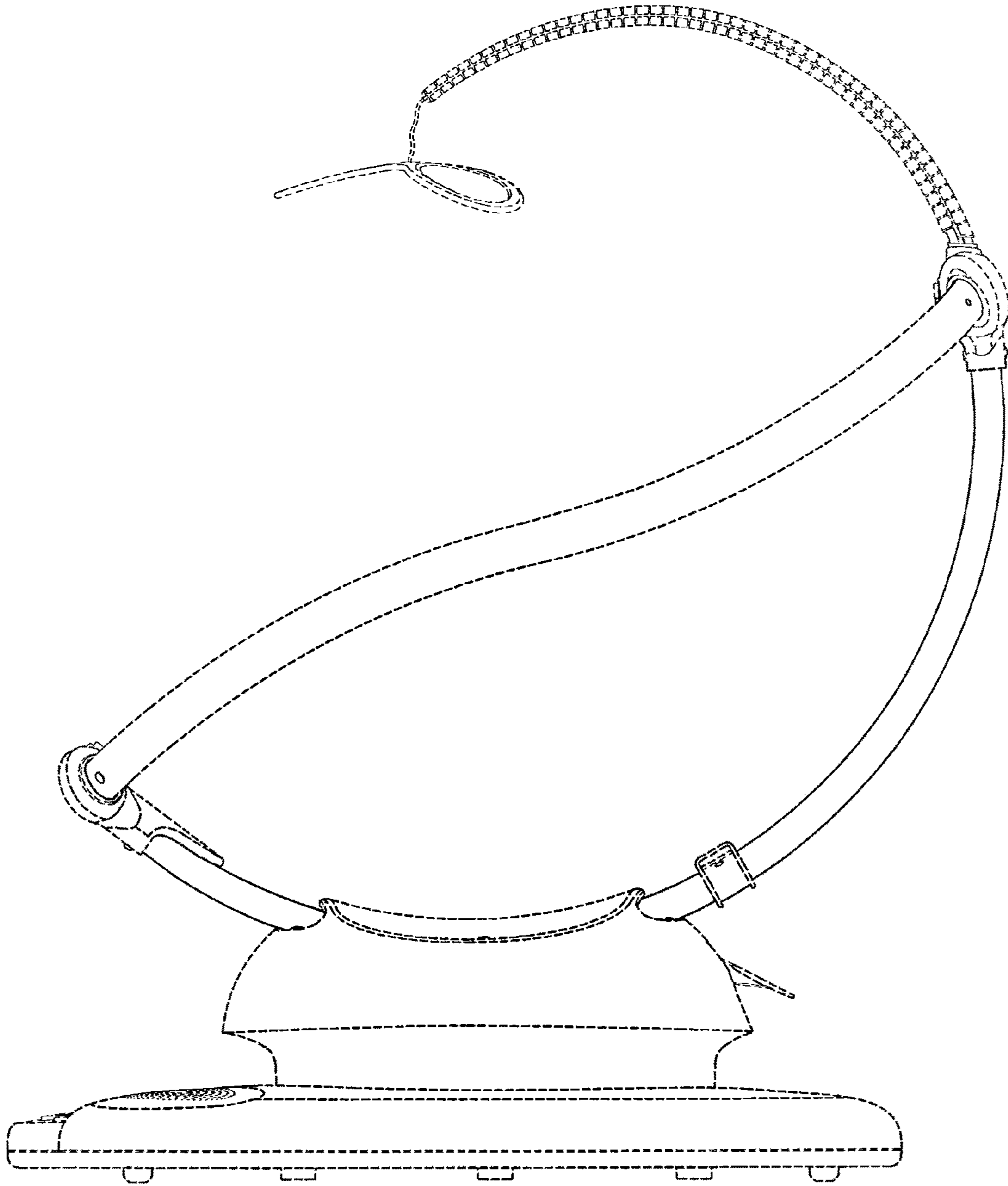


FIG.8