



US00D655112S

(12) **United States Design Patent**  
**Kubryk**

(10) **Patent No.:** **US D655,112 S**

(45) **Date of Patent:** **\*\* Mar. 6, 2012**

(54) **TASK CHAIR**

(76) Inventor: **Isaac Kubryk**, Lockeford, CA (US)

(\*\*) Term: **14 Years**

(21) Appl. No.: **29/373,704**

(22) Filed: **May 12, 2011**

(51) **LOC (9) Cl.** ..... **06-01**

(52) **U.S. Cl.** ..... **D6/500; D6/366**

(58) **Field of Classification Search** ..... D6/334-336,  
D6/364, 365, 366, 367, 374, 375, 379, 500-502;  
297/411.27, 440.11, 452.12, 452.16, 452.19,  
297/452.29, 452.48

See application file for complete search history.

(56) **References Cited**

**U.S. PATENT DOCUMENTS**

D241,288 S *	9/1976	Tacke .....	D6/366
D320,704 S *	10/1991	Monesi .....	D6/366
D348,570 S *	7/1994	Scheper et al. ....	D6/366
D368,608 S *	4/1996	Stirling et al. ....	D6/500
D468,140 S *	1/2003	Tsai .....	D6/501
D599,126 S *	9/2009	Chen et al. ....	D6/366

D611,738 S *	3/2010	Kubryk .....	D6/500
D611,739 S *	3/2010	Kubryk .....	D6/500
D612,175 S *	3/2010	Kubryk .....	D6/500

\* cited by examiner

*Primary Examiner* — Mimoso De

(74) *Attorney, Agent, or Firm* — Audrey A. Millemann;  
Weintraub Genshlea et al.

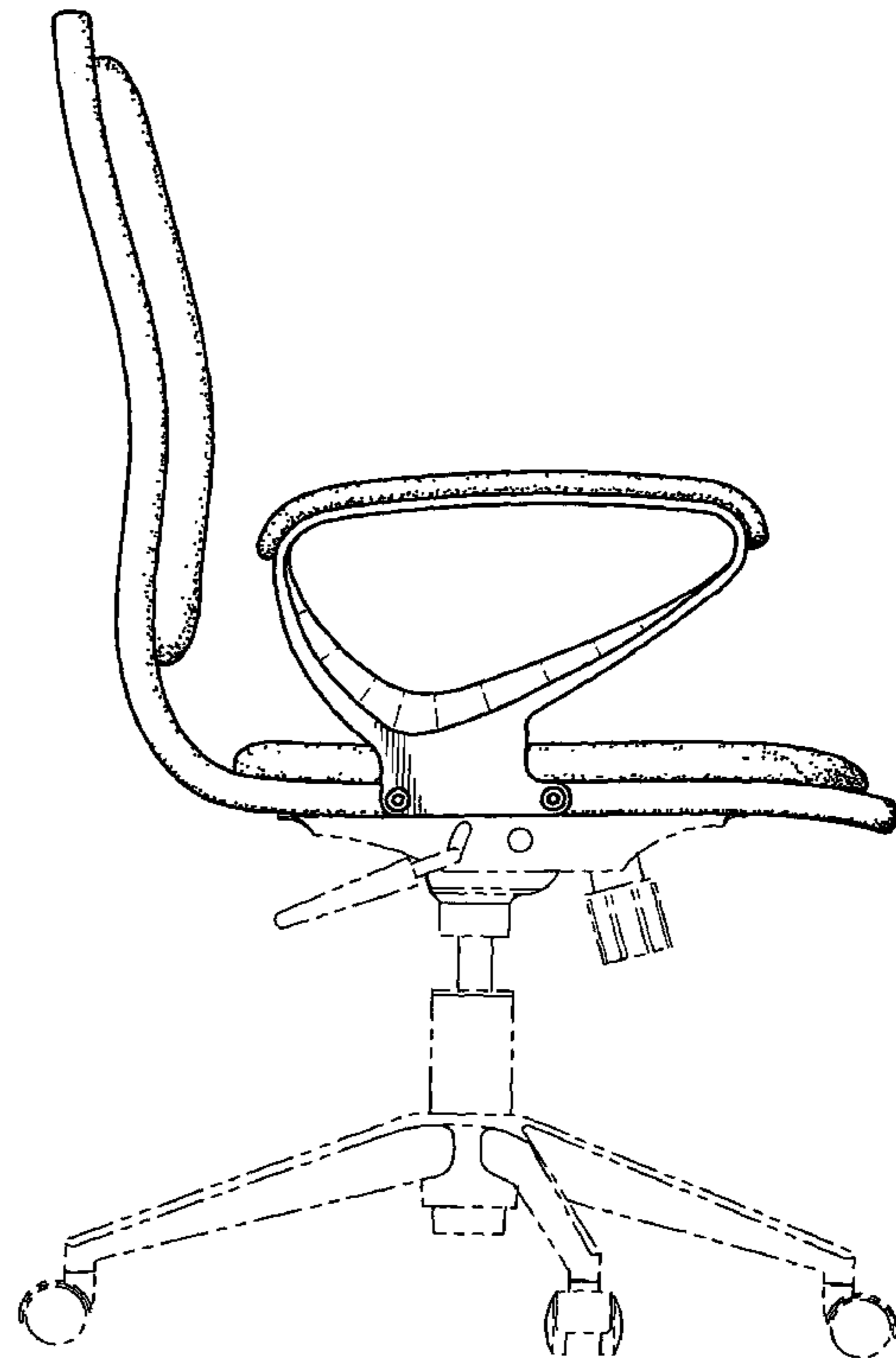
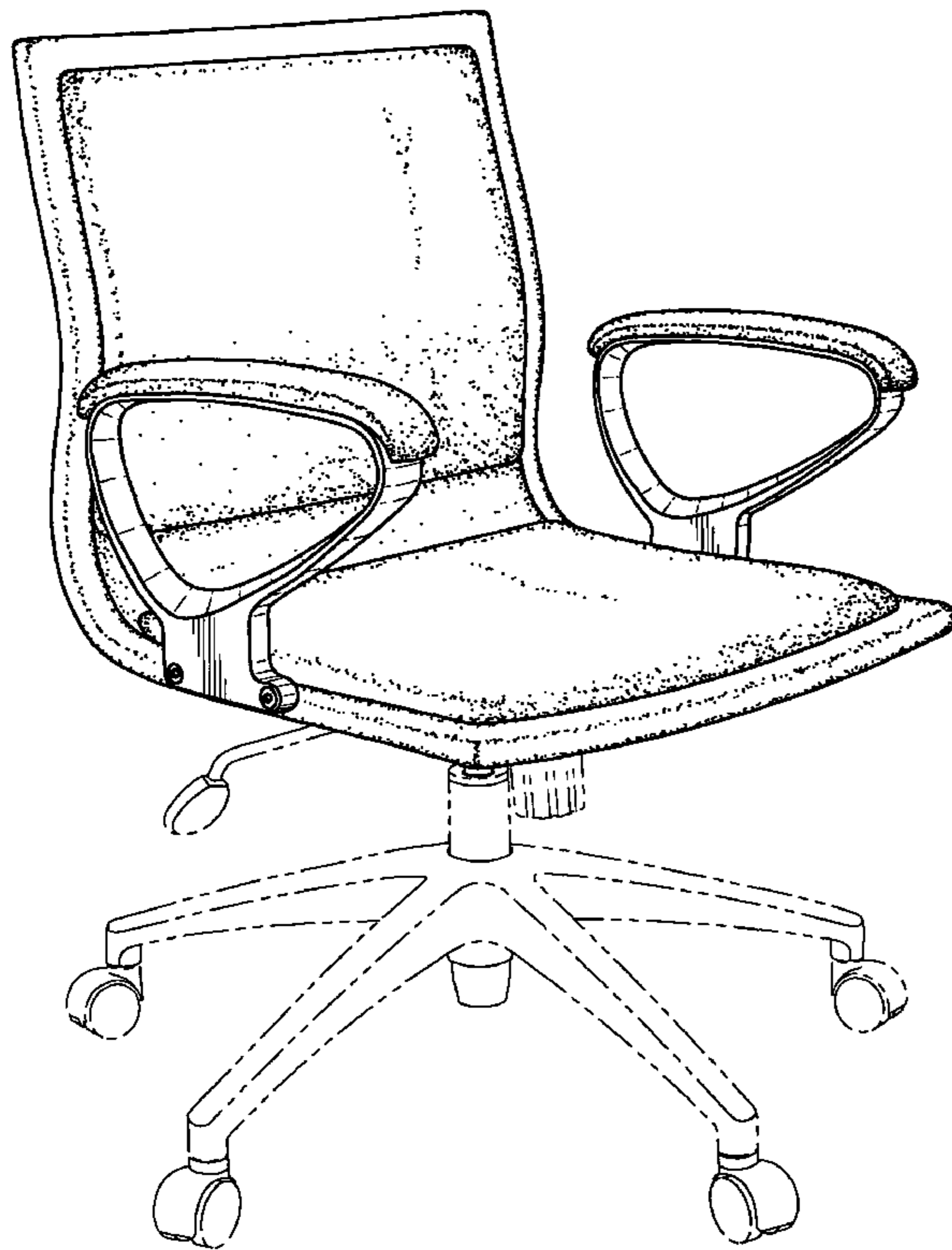
(57) **CLAIM**

The ornamental design for a task chair, as shown and described.

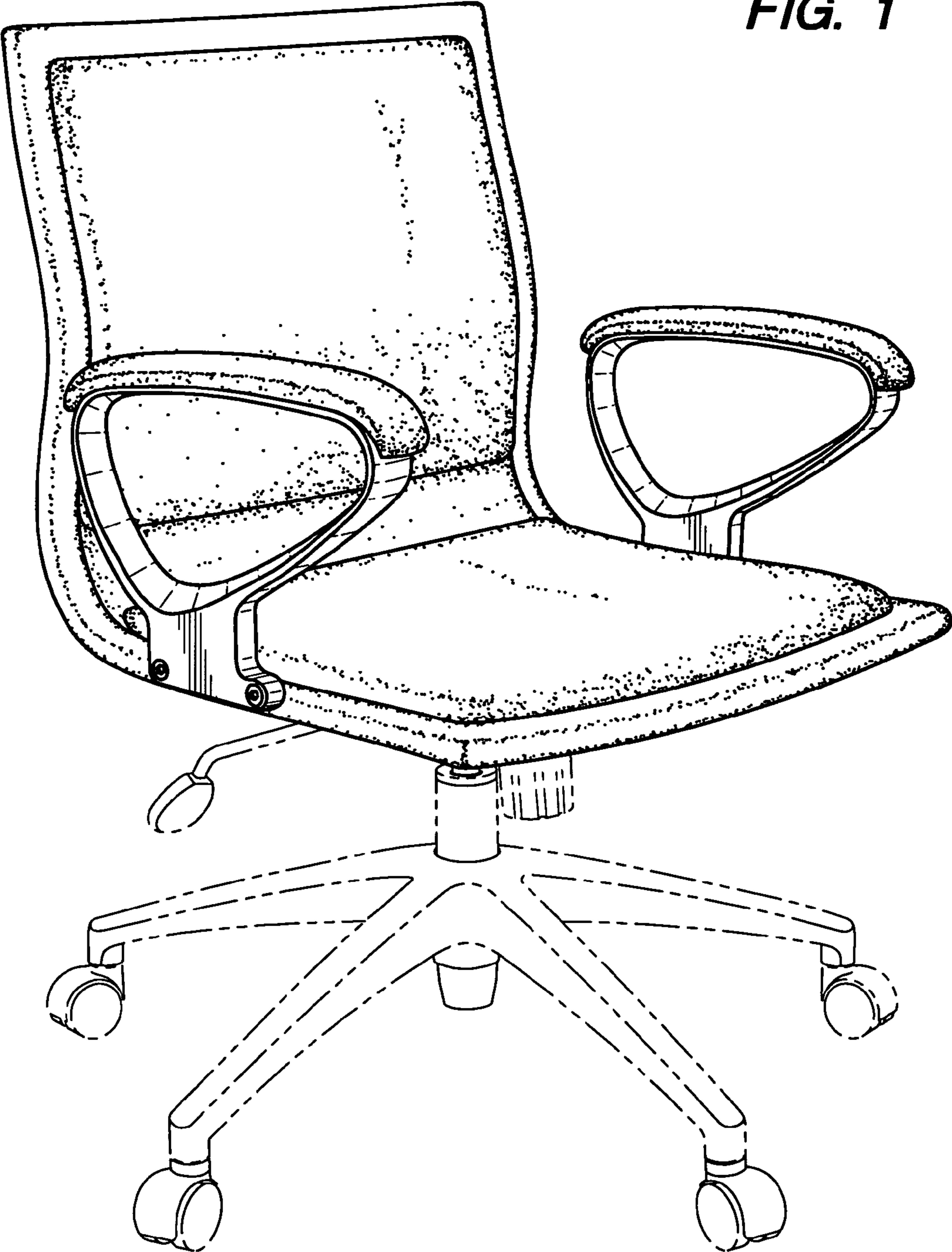
**DESCRIPTION**

FIG. 1 is a perspective view of a task chair, looking toward the right front corner, showing my new design;  
FIG. 2 is a front view thereof;  
FIG. 3 is a back view thereof;  
FIG. 4 is a right side view thereof;  
FIG. 5 is a top view thereof; and,  
FIG. 6 is a bottom view thereof.  
The broken lines shown in the drawing are for illustrative purposes only and form no part of the claimed design.

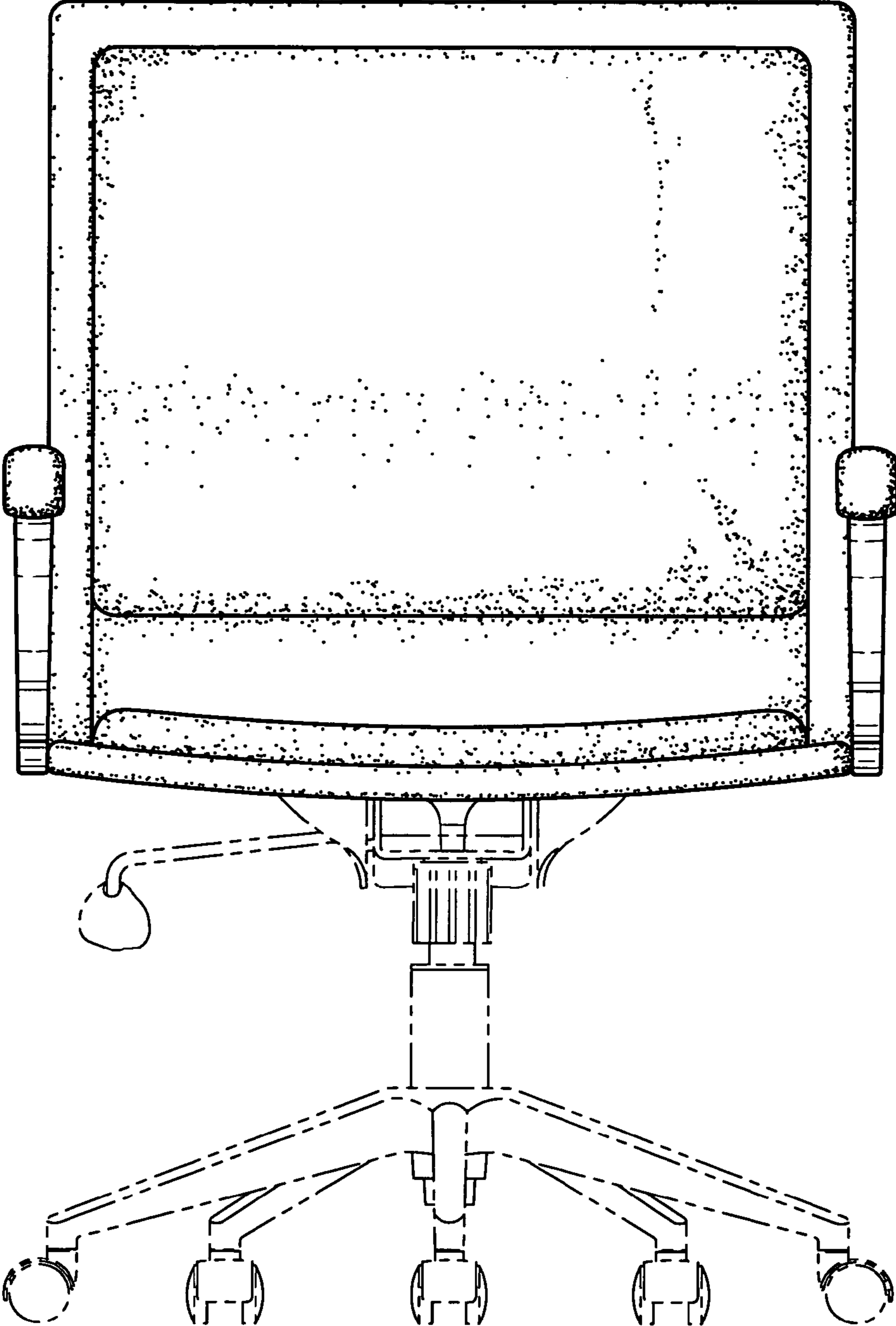
**1 Claim, 5 Drawing Sheets**



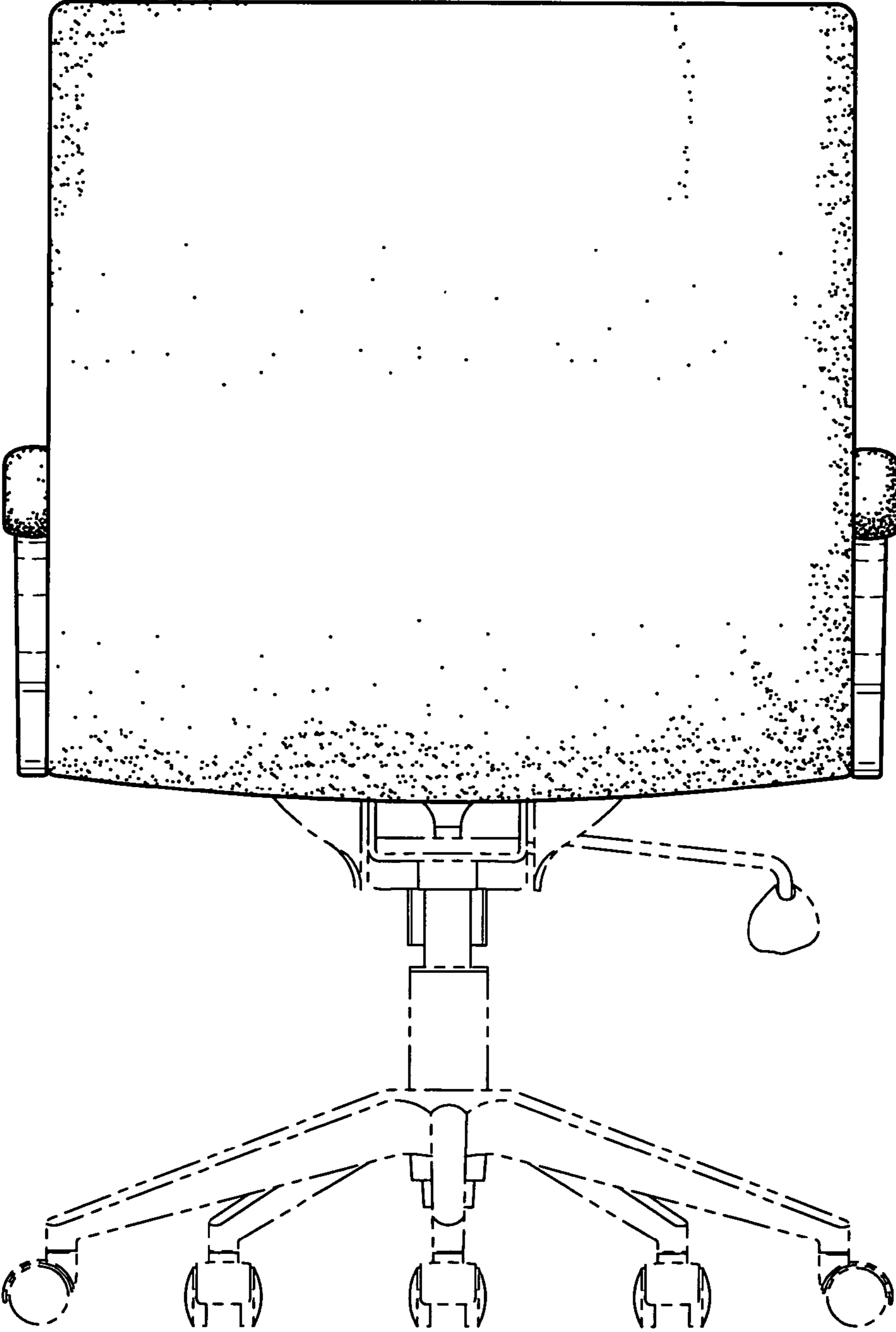
**FIG. 1**



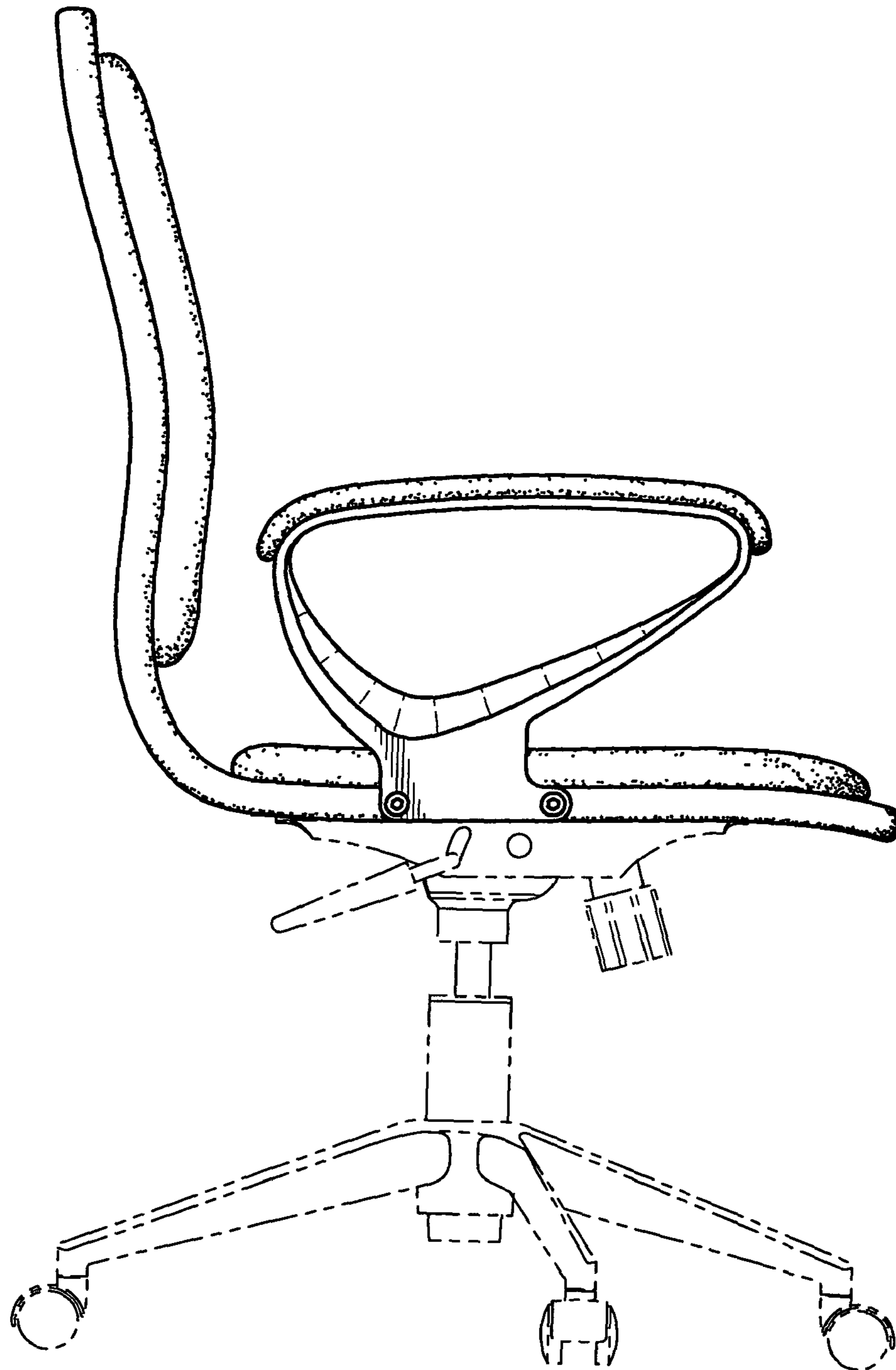
**FIG. 2**

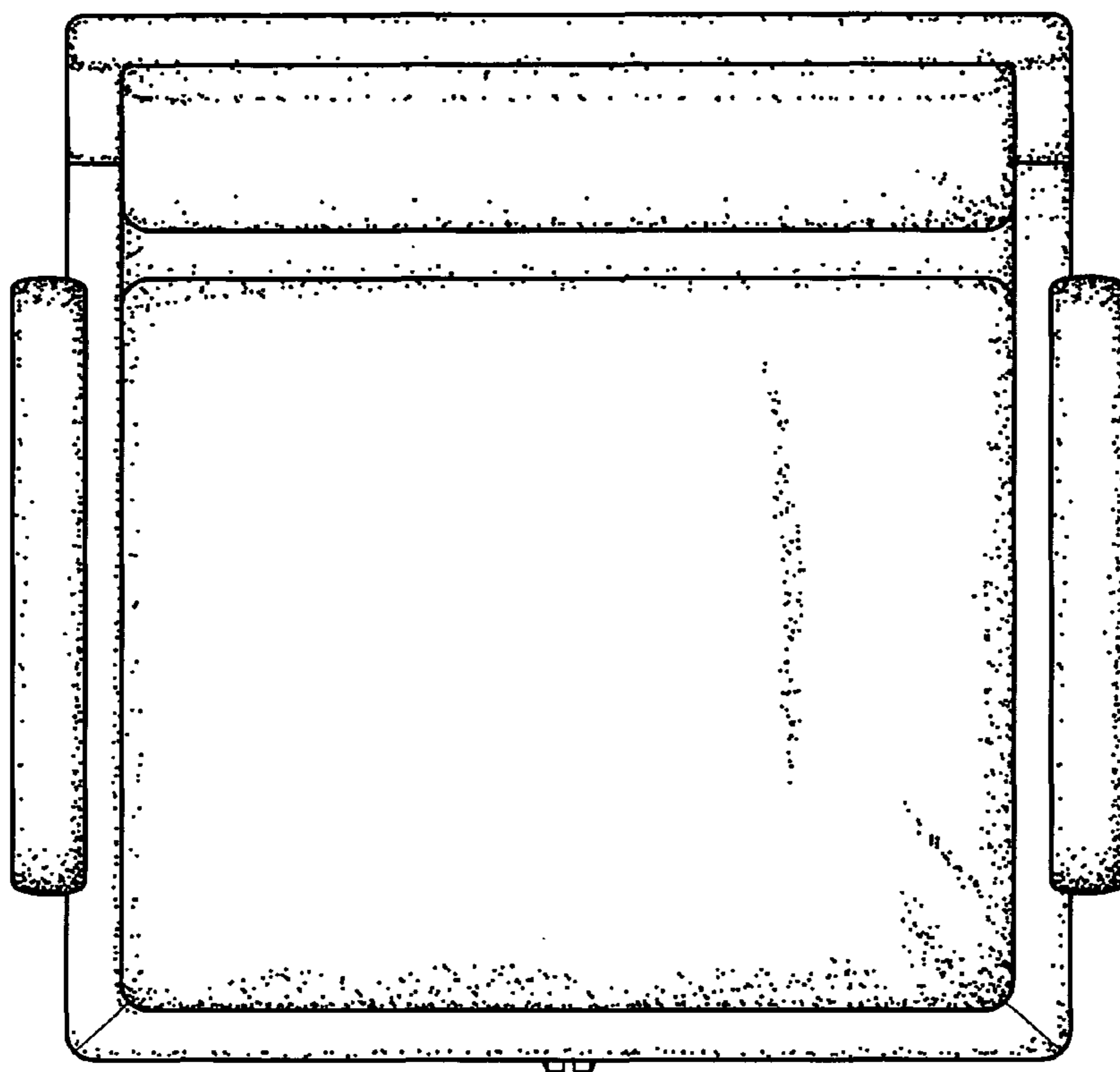


**FIG. 3**



**FIG. 4**





**FIG. 5**

**FIG. 6**

