



US00D655110S

(12) **United States Design Patent**  
**Siekmann**

(10) **Patent No.:** **US D655,110 S**  
(45) **Date of Patent:** **\*\* Mar. 6, 2012**

- (54) **FURNITURE FRONT**
- (75) Inventor: **Ulrich-Wilhelm Siekmann**, Löhne (DE)
- (73) Assignee: **Siematic Möbelwerke GmbH & Co. KG** (DE)
- (\*\*) Term: **14 Years**
- (21) Appl. No.: **29/383,761**
- (22) Filed: **Jan. 21, 2011**

**Related U.S. Application Data**

- (63) Continuation of application No. 29/277,387, filed on Feb. 23, 2007, now abandoned.

(30) **Foreign Application Priority Data**

Aug. 31, 2006 (EM) ..... 000582622  
 Aug. 31, 2006 (WO) ..... DM/068 113

- (51) **LOC (9) Cl.** ..... **06-04**
- (52) **U.S. Cl.** ..... **D6/492**
- (58) **Field of Classification Search** ..... D6/300,  
 D6/308, 397, 420-440, 445-448, 460-468,  
 D6/474-479, 494-495, 509-510; D8/353,  
 D8/401; D13/184; D14/341; D19/52; D25/48,  
 D25/138; D34/17, 19; 52/309.11, 455; 312/194,  
 312/198, 204, 213  
 See application file for complete search history.

(56) **References Cited**

**U.S. PATENT DOCUMENTS**

1,548,235 A \* 8/1925 Zahner ..... 52/455  
 4,546,585 A \* 10/1985 Governale ..... 52/309.11  
 D287,006 S \* 12/1986 Fletcher et al. .... D13/184  
 D327,527 S \* 6/1992 Walker et al. .... D25/48  
 D438,636 S \* 3/2001 Stuart ..... D25/48

D450,665 S \* 11/2001 Isely et al. .... D13/184  
 6,487,827 B2 \* 12/2002 Hollman ..... 52/455  
 D476,176 S \* 6/2003 Lenger ..... D6/494  
 D480,221 S \* 10/2003 Luciano ..... D6/300  
 D488,015 S \* 4/2004 Brandon ..... D6/510  
 D492,141 S \* 6/2004 Brandon ..... D6/494  
 D501,565 S \* 2/2005 Malicki et al. .... D25/138  
 D516,224 S \* 2/2006 Brandon ..... D25/48  
 D541,137 S \* 4/2007 Fabrizi ..... D8/353  
 D548,981 S \* 8/2007 Ernetoft ..... D6/300  
 D566,296 S \* 4/2008 Walsh et al. .... D25/48  
 D576,432 S \* 9/2008 Siekmann ..... D6/509  
 D576,740 S \* 9/2008 Steiber et al. .... D25/48  
 D587,816 S \* 3/2009 Steiber et al. .... D25/48  
 D588,383 S \* 3/2009 Thompson ..... D6/494  
 D588,708 S \* 3/2009 Steiber et al. .... D25/48  
 D610,354 S \* 2/2010 Kuo ..... D6/300  
 D623,226 S \* 9/2010 Hoch et al. .... D19/52  
 D623,425 S \* 9/2010 Mischel et al. .... D6/308  
 D627,779 S \* 11/2010 Liao ..... D14/341  
 D641,232 S \* 7/2011 Stevens ..... D8/401

\* cited by examiner

*Primary Examiner* — Ricky Pham

(74) *Attorney, Agent, or Firm* — Bourque and Associates, PA

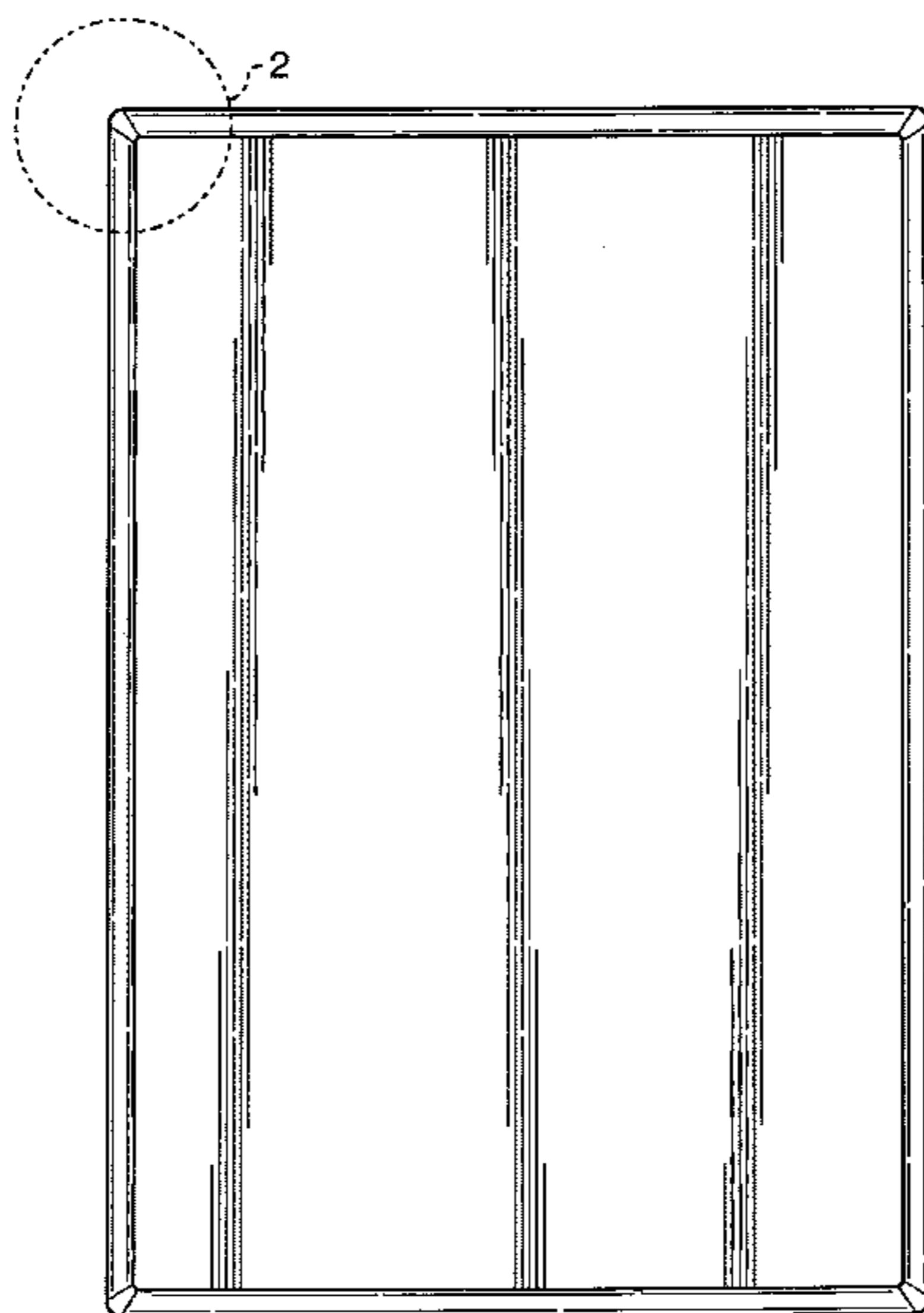
(57) **CLAIM**

The ornamental design for a furniture front, as shown and described.

**DESCRIPTION**

FIG. 1 is a front view of the furniture front showing my new design;  
 FIG. 2 is an enlarged front view thereof;  
 FIG. 3 is a rear view thereof;  
 FIG. 4 is a left side view thereof; the right side being a mirror image thereof; and,  
 FIG. 5 is a top view thereof; the bottom view being a mirror image thereof.

**1 Claim, 4 Drawing Sheets**



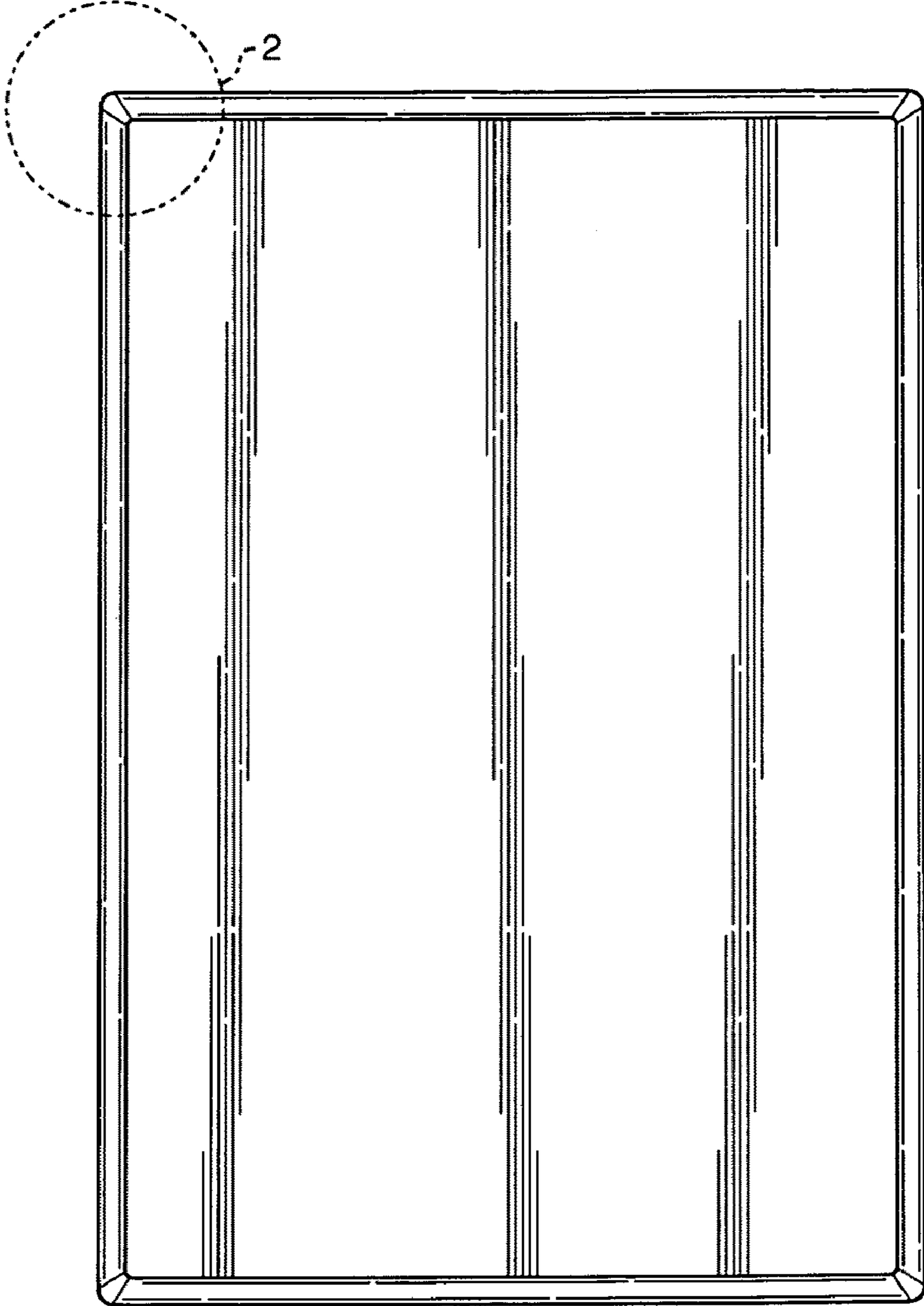


FIG. 1

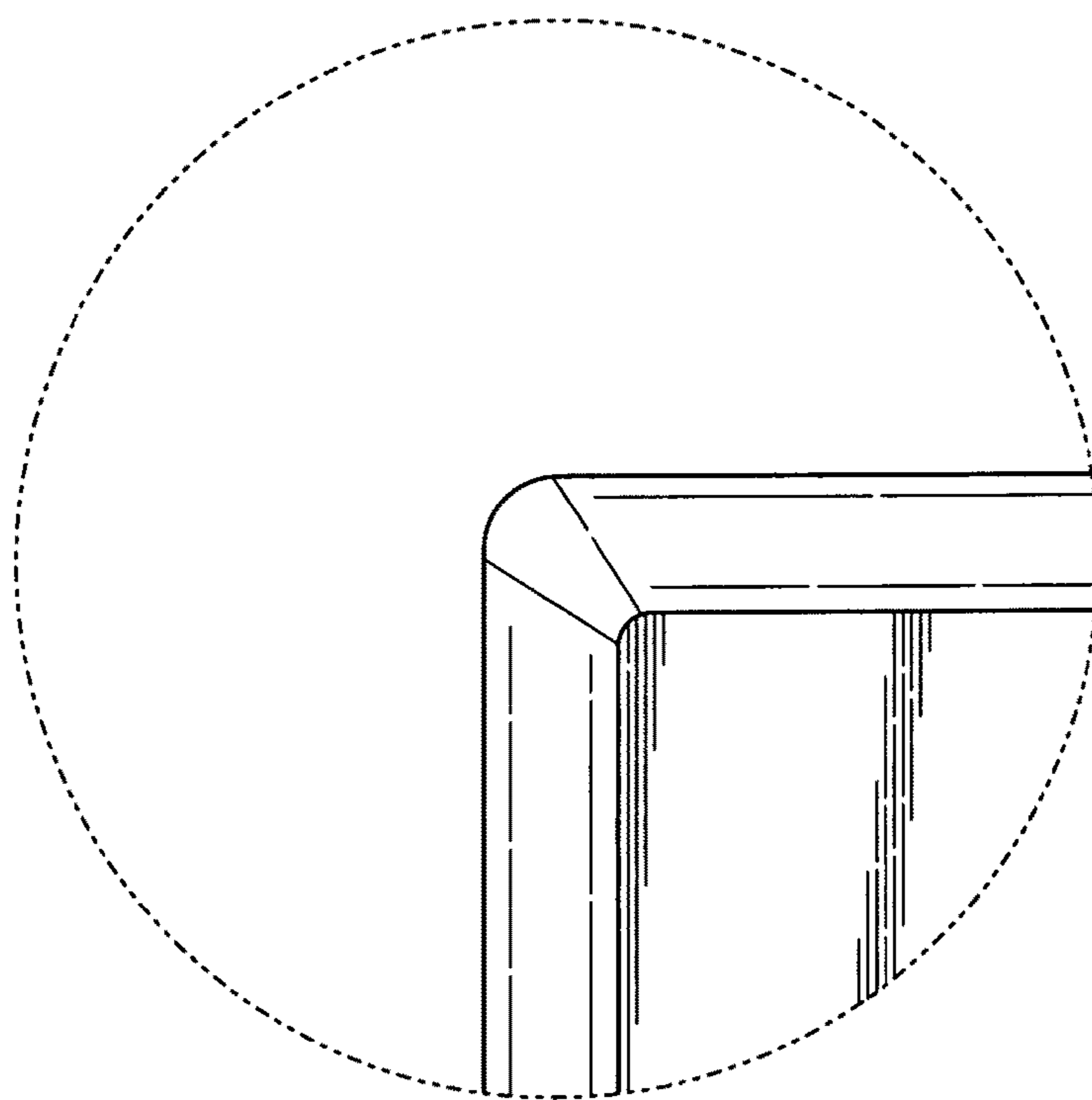


FIG. 2

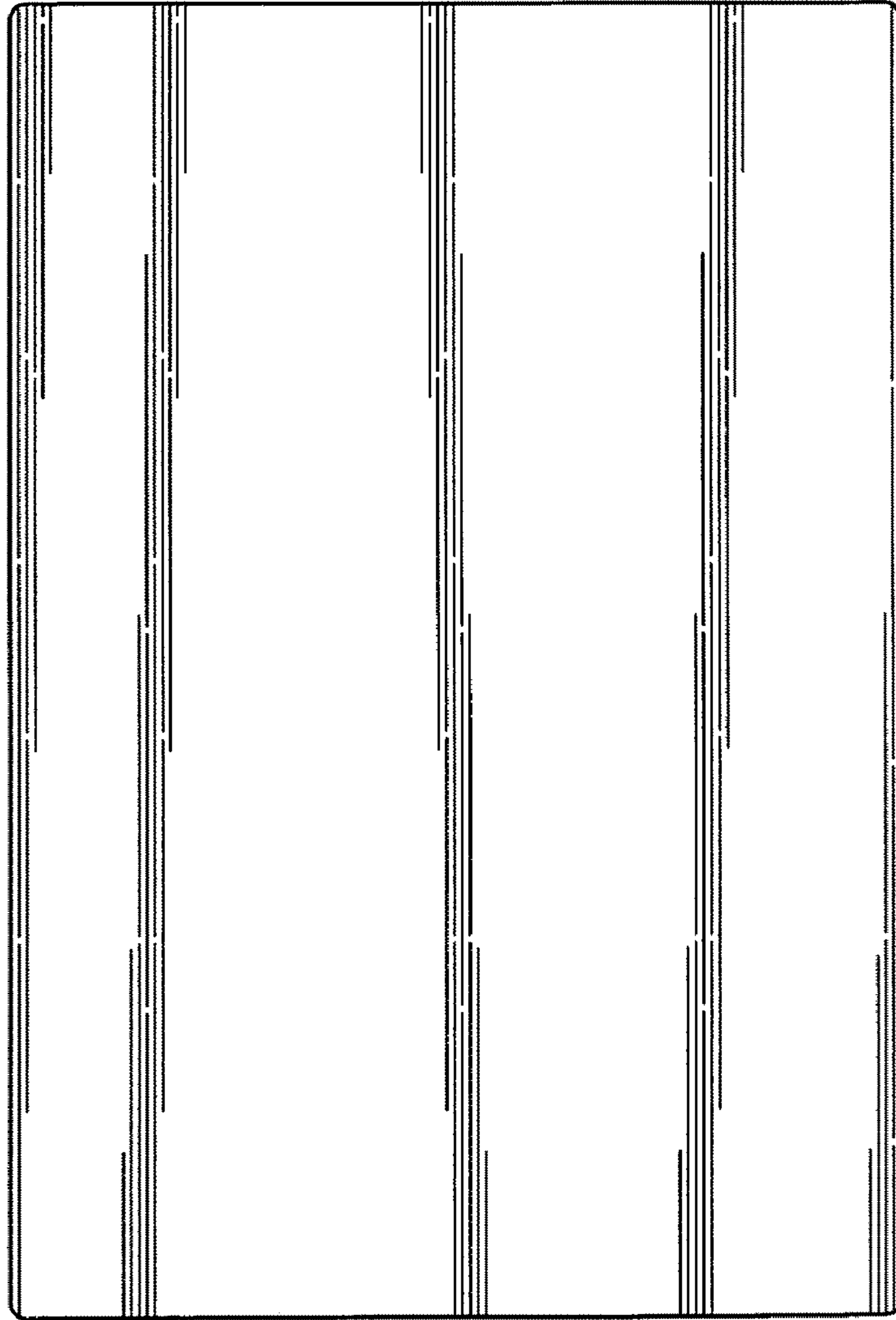


FIG. 3



FIG. 4

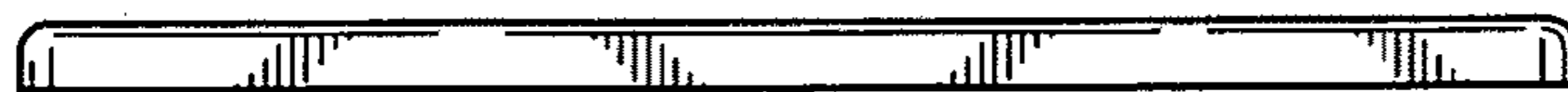


FIG. 5