



US00D655108S

(12) **United States Design Patent**
Majrani

(10) **Patent No.:** **US D655,108 S**
(45) **Date of Patent:** **** Mar. 6, 2012**

(54) **DISPLAY STAND**
(75) Inventor: **Riccardo Majrani**, Chambesy (CH)
(73) Assignee: **Majrani Europe S.R.L.**, Peschiera
Borromeo (MI) (IT)
(**) Term: **14 Years**
(21) Appl. No.: **29/401,618**

D500,419 S * 1/2005 Sparkowski D6/465
D538,556 S * 3/2007 Arias D6/479
D547,569 S * 7/2007 Yan D6/474
D584,537 S * 1/2009 Cuzzocrea D6/458
D591,531 S * 5/2009 Sparkowski D6/464
D608,115 S * 1/2010 Trinh et al. D6/477
D609,937 S * 2/2010 Ricereto D6/432
D622,519 S * 8/2010 Ricereto D6/432
D633,313 S * 3/2011 Ma D6/397
D637,422 S * 5/2011 Theisen et al. D6/478
D644,039 S * 8/2011 Naples et al. D6/449
D644,452 S * 9/2011 Naples et al. D6/449

* cited by examiner

(22) Filed: **Sep. 13, 2011**
(51) **LOC (9) Cl.** **06-06**
(52) **U.S. Cl.** **D6/479**
(58) **Field of Classification Search** D6/464,
D6/449, 455-457, 470-472, 474-475, 567,
D6/477-479; 108/107, 144.11, 149, 59,
108/161, 108; 312/107, 117, 59.4, 134, 69,
312/186-192

Primary Examiner — Elizabeth Albert
Assistant Examiner — Kelley Donnelly
(74) *Attorney, Agent, or Firm* — Jacobson Holman PLLC

See application file for complete search history.

(57) **CLAIM**
I claim the ornamental design for the display stand, as shown
and described.

DESCRIPTION

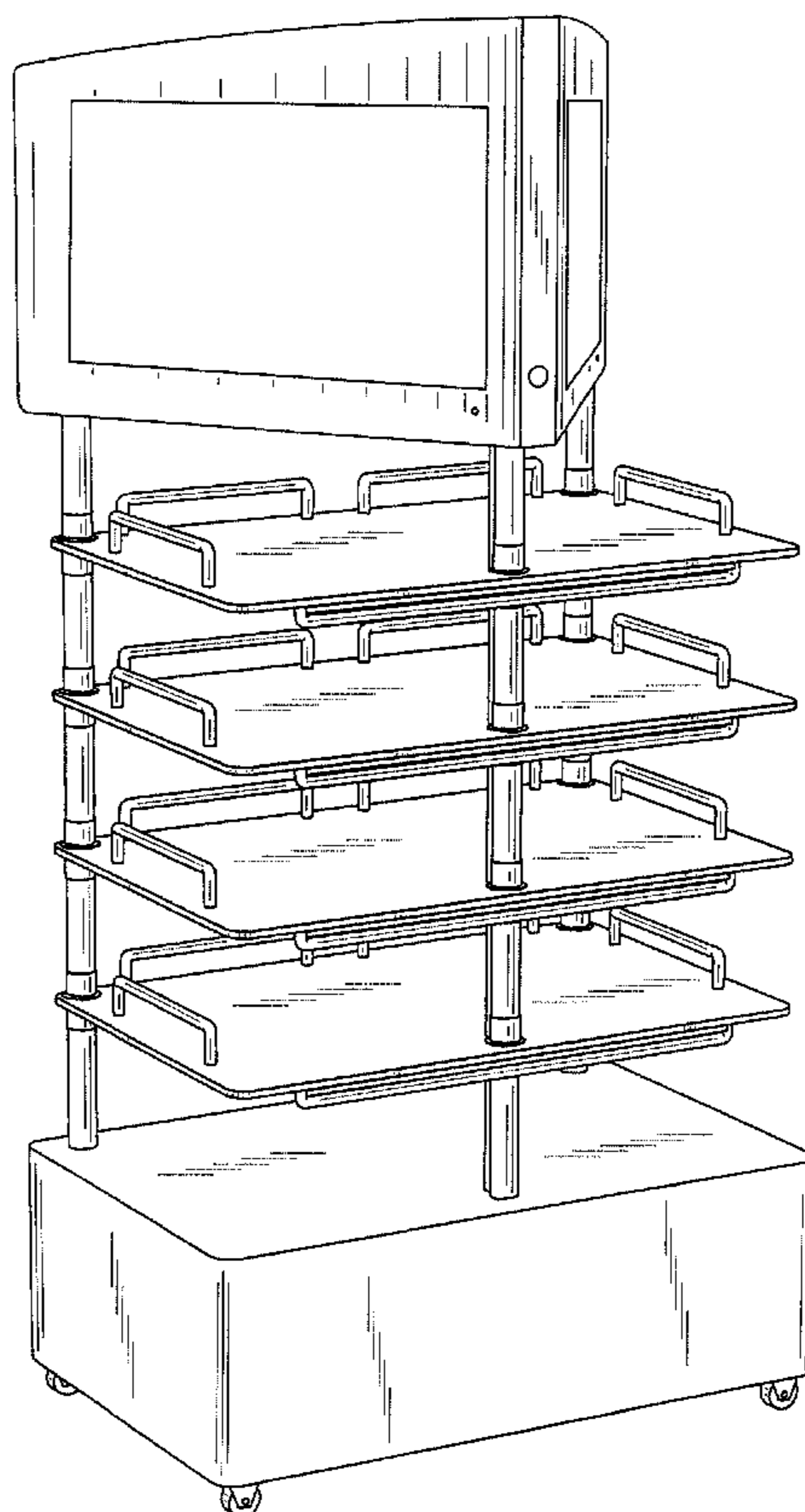
(56) **References Cited**

U.S. PATENT DOCUMENTS

1,381,607 A * 6/1921 Weston 108/59
3,640,389 A * 2/1972 Snyder 211/187
D368,814 S * 4/1996 Riback et al. D6/477
D369,485 S * 5/1996 Lechleiter et al. D6/479
D406,476 S * 3/1999 Boije D6/436
D421,348 S * 3/2000 Pierson D6/436
D440,335 S * 4/2001 Kuo D26/58

FIG. 1 Is a front perspective view of the display stand;
FIG. 2 Is a front elevation view of FIG. 1;
FIG. 3 Is a rear elevation view of FIG. 1;
FIG. 4 Is a right side elevational view of FIG. 1;
FIG. 5 Is a left side elevational view of FIG. 1;
FIG. 6 Is a top plan view of FIG. 1; and,
FIG. 7 Is a bottom plan view of FIG. 1.

1 Claim, 6 Drawing Sheets



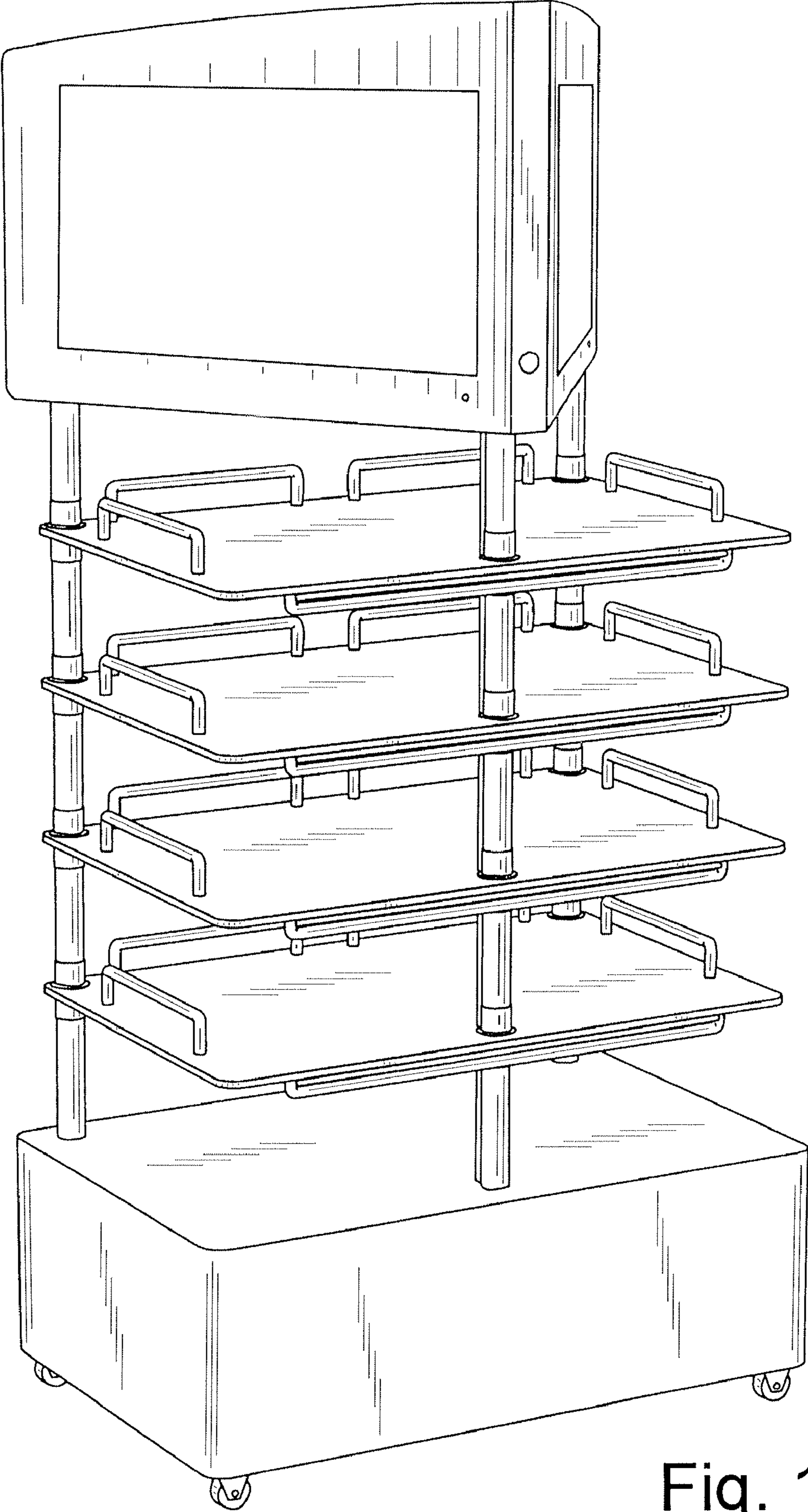


Fig. 1

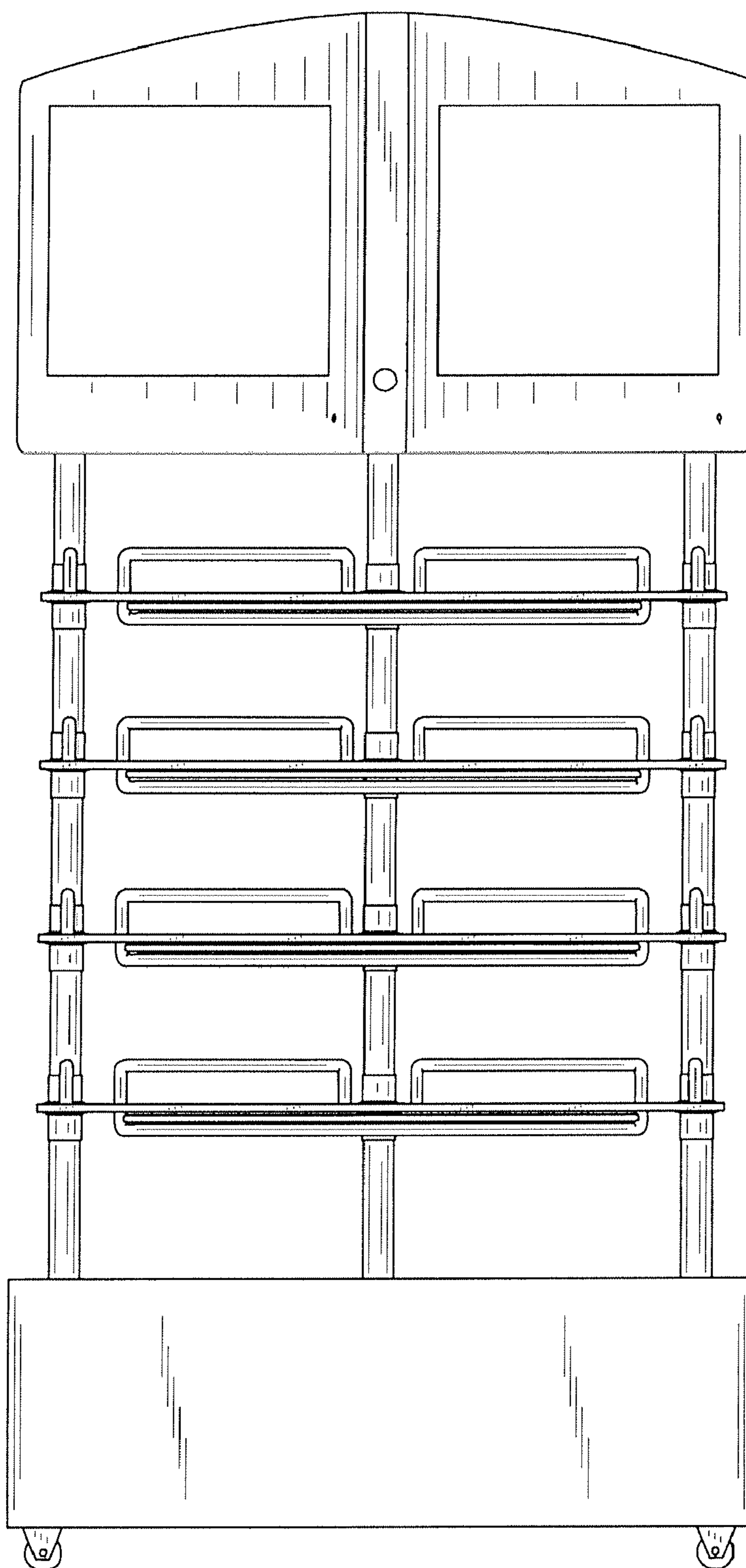


Fig. 2

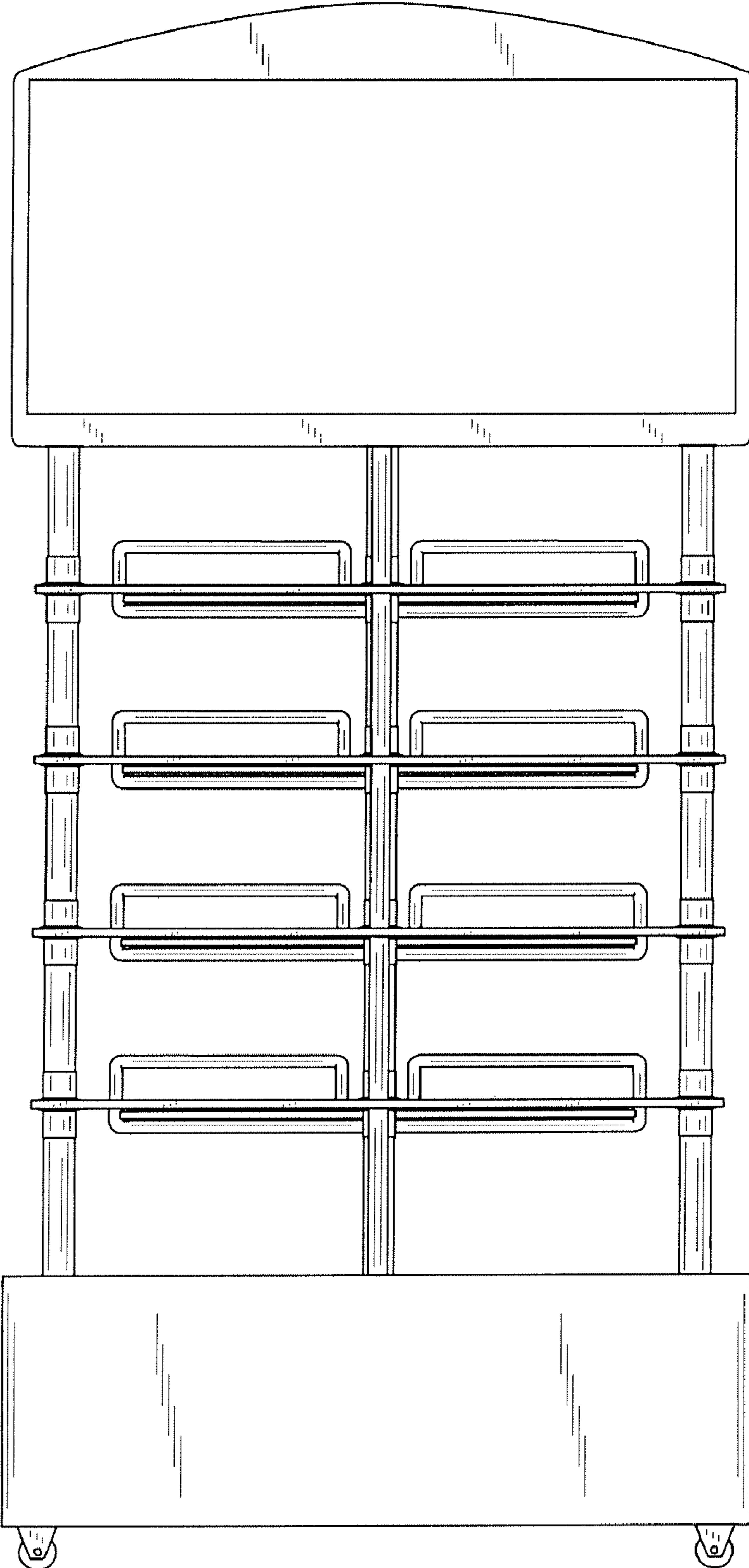


Fig. 3

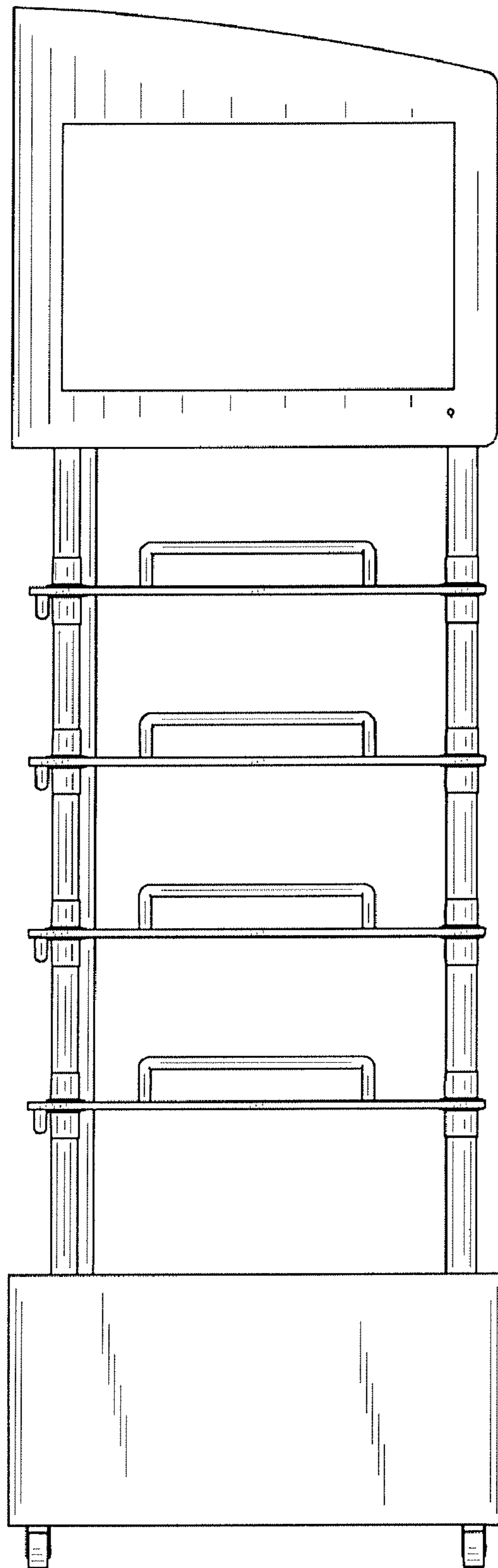


Fig. 4

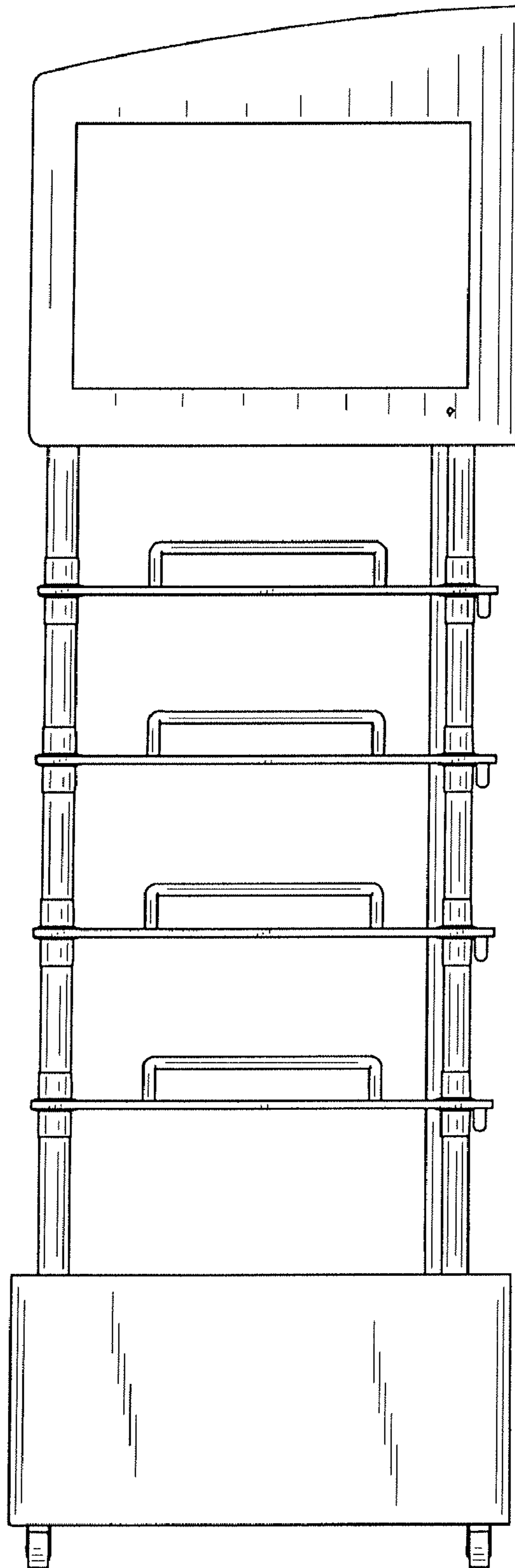


Fig. 5

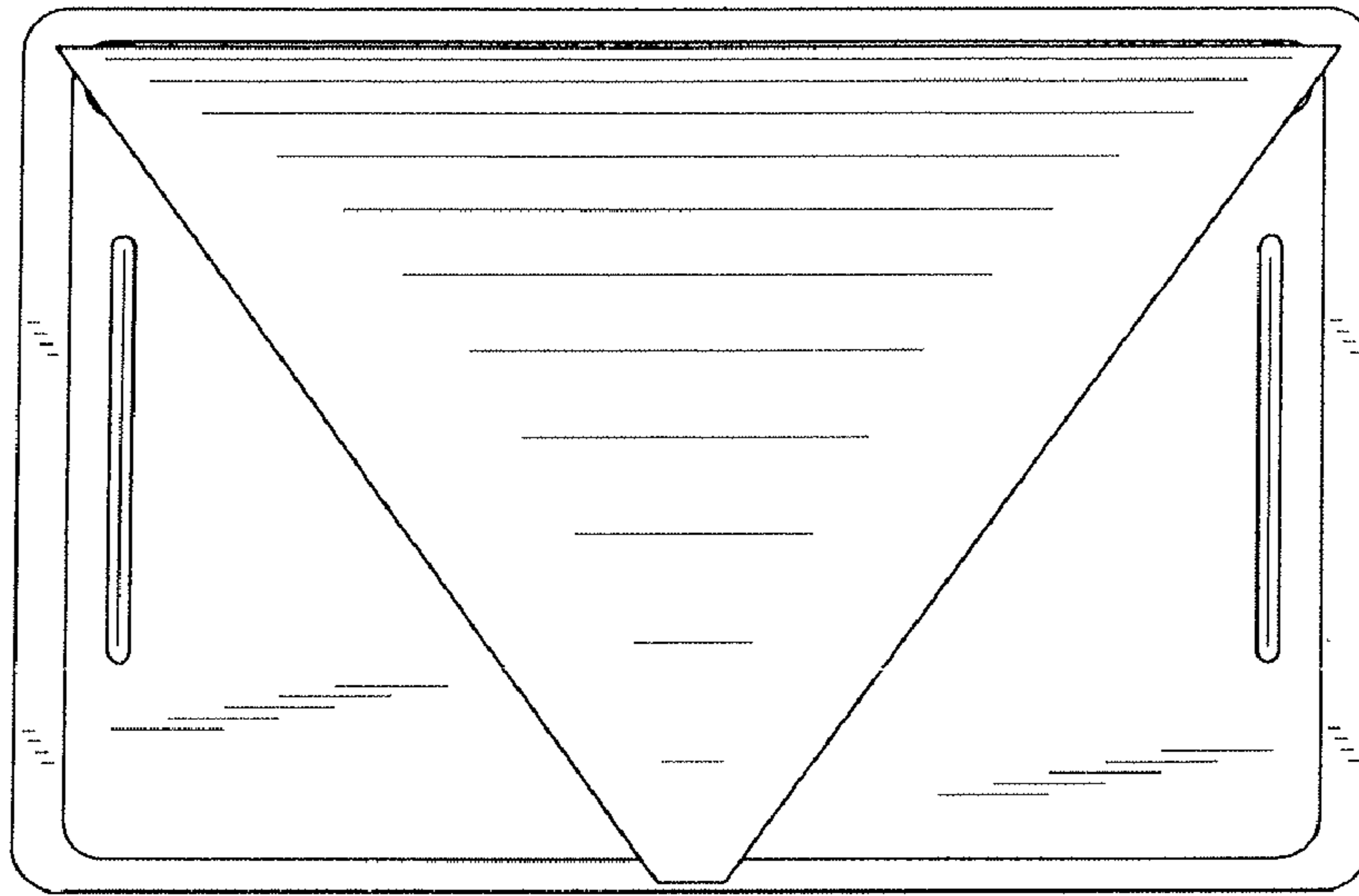


Fig. 6



Fig. 7