



US00D655107S

(12) **United States Design Patent**
Clark et al.

(10) **Patent No.:** **US D655,107 S**
(45) **Date of Patent:** **** Mar. 6, 2012**

- (54) **MERCHANDISER RACK**
- (75) Inventors: **Dina Clark**, York, PA (US); **Jeff Blum**, Windsor, PA (US)
- (73) Assignee: **McCormick & Company, Incorporated**, Sparks, MD (US)
- (**) Term: **14 Years**
- (21) Appl. No.: **29/385,877**
- (22) Filed: **Feb. 22, 2011**

Related U.S. Application Data

- (62) Division of application No. 29/377,045, filed on Oct. 15, 2010, now Pat. No. Des. 636,616, which is a division of application No. 29/305,440, filed on Mar. 20, 2008, now Pat. No. Des. 632,907.
- (51) **LOC (9) Cl.** **06-06**
- (52) **U.S. Cl.** **D6/476**
- (58) **Field of Classification Search** D6/462-463, D6/465, 472, 474, 476, 396, 510-512, 515; 211/126, 128-129, 90.01, 153, 134, 183-184
See application file for complete search history.

References Cited

U.S. PATENT DOCUMENTS

1,746,137	A	2/1930	Winter	
2,057,617	A	10/1936	Keith	
2,964,154	A *	12/1960	Erickson	193/35 R
3,704,792	A	12/1972	Wiese	
3,900,112	A *	8/1975	Azzi et al.	211/187
4,128,177	A *	12/1978	Bustos	211/59.2
D253,213	S	10/1979	Hudik et al.	
4,372,451	A *	2/1983	Rasmussen et al.	211/187
D297,082	S	8/1988	Binder et al.	
4,923,070	A	5/1990	Jackle et al.	
4,925,038	A	5/1990	Gajewski	
D317,094	S	5/1991	Weinberg et al.	
5,097,962	A	3/1992	Eklof et al.	

5,115,920	A *	5/1992	Tipton et al.	211/59.2
5,383,562	A *	1/1995	Gay	211/181.1
5,749,478	A	5/1998	Ellis	
D395,769	S	7/1998	Reeves	
5,797,502	A *	8/1998	Brady et al.	211/183
5,810,176	A *	9/1998	Stravitz	211/55
D402,823	S *	12/1998	Anderson et al.	D6/408
6,068,139	A	5/2000	Brozak, Jr.	
6,095,347	A *	8/2000	Mauro-Vetter	211/151
6,173,845	B1	1/2001	Higgins et al.	
6,196,401	B1 *	3/2001	Brady et al.	211/186
6,227,386	B1	5/2001	Close	
D446,968	S	8/2001	Spencer	
D465,349	S	11/2002	Sharpton, III	
6,536,609	B2 *	3/2003	Lake	211/59.3
D473,073	S	4/2003	Kettering et al.	
D485,460	S	1/2004	Bidwell et al.	
6,964,235	B2	11/2005	Hardy	
7,124,898	B2	10/2006	Richter et al.	
D536,659	S	2/2007	Panasewicz et al.	

(Continued)

Primary Examiner — Elizabeth Albert
Assistant Examiner — Kelley Donnelly

(74) *Attorney, Agent, or Firm* — Oblon, Spivak, McClelland, Maier & Neustadt, L.L.P.

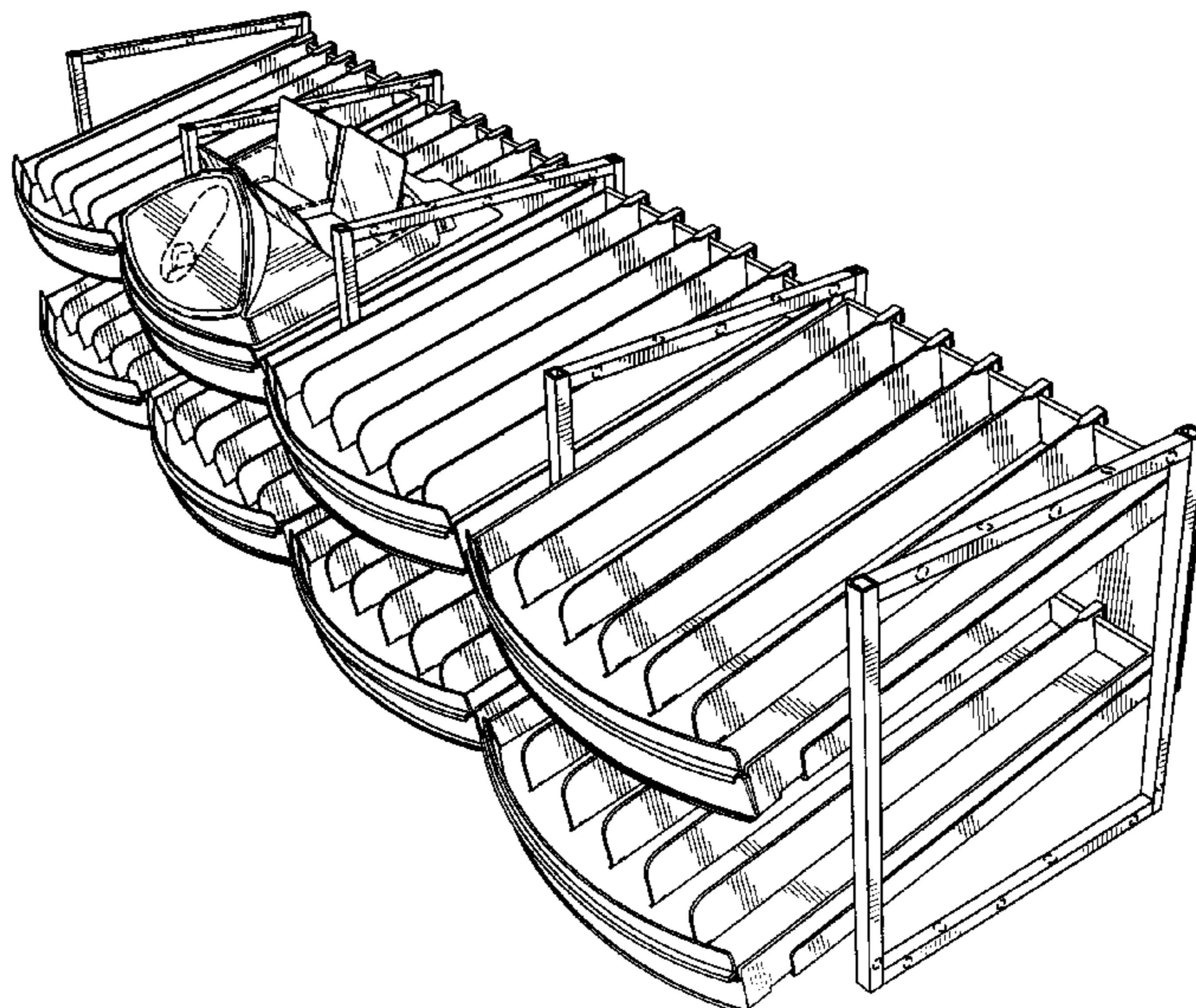
(57) **CLAIM**

The ornamental design for a merchandiser rack, as shown and described.

DESCRIPTION

FIG. 1. is a top and right front perspective view of the merchandiser rack;
FIG. 2. is a front elevational view thereof;
FIG. 3. is a right side elevational view thereof, the left side elevational view being a mirror image of the side view shown;
FIG. 4. is a top plan view thereof; and,
FIG. 5. is a rear elevational view thereof.
The broken lines in the drawings depict environmental subject matter only and form no part of the claimed design.

1 Claim, 5 Drawing Sheets



US D655,107 S

Page 2

U.S. PATENT DOCUMENTS								
7,182,209	B2	2/2007	Squitieri		7,690,519	B2	4/2010	Kahl et al.
D537,655	S *	3/2007	Hessell	D6/468	D614,896	S	5/2010	Stifal
7,207,447	B2	4/2007	Medcalf et al.		D623,439	S *	9/2010	Daniel et al. D6/465
D544,251	S	6/2007	Daugherty et al.		D623,440	S *	9/2010	Daniel et al. D6/465
D573,369	S *	7/2008	Sparkowski	D6/463	2006/0196840	A1	9/2006	Jay et al.
D585,216	S	1/2009	Colin		2008/0169256	A1	7/2008	Shetler
D613,966	S *	4/2010	Staw et al.	D6/476				

* cited by examiner

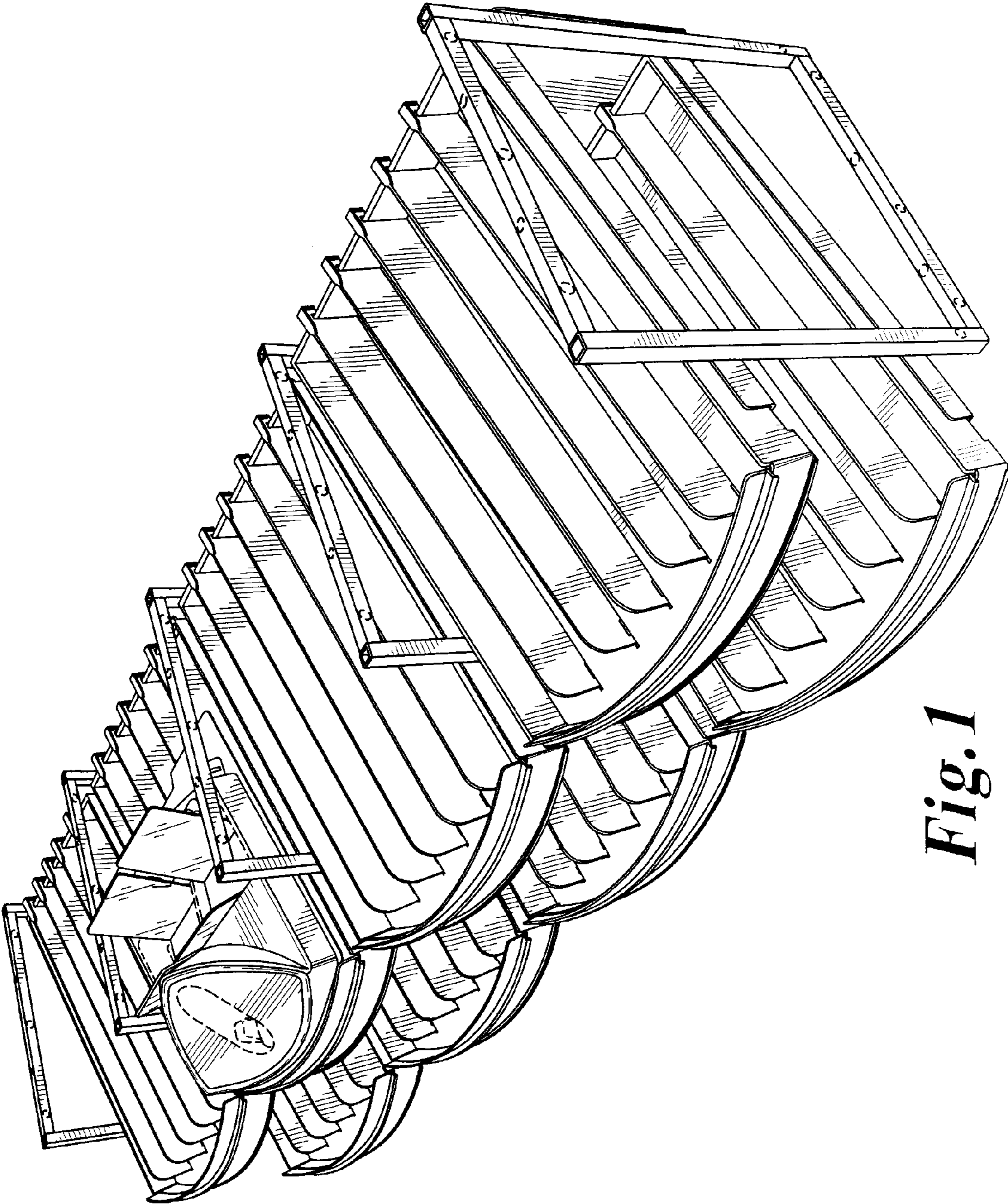


Fig. 1

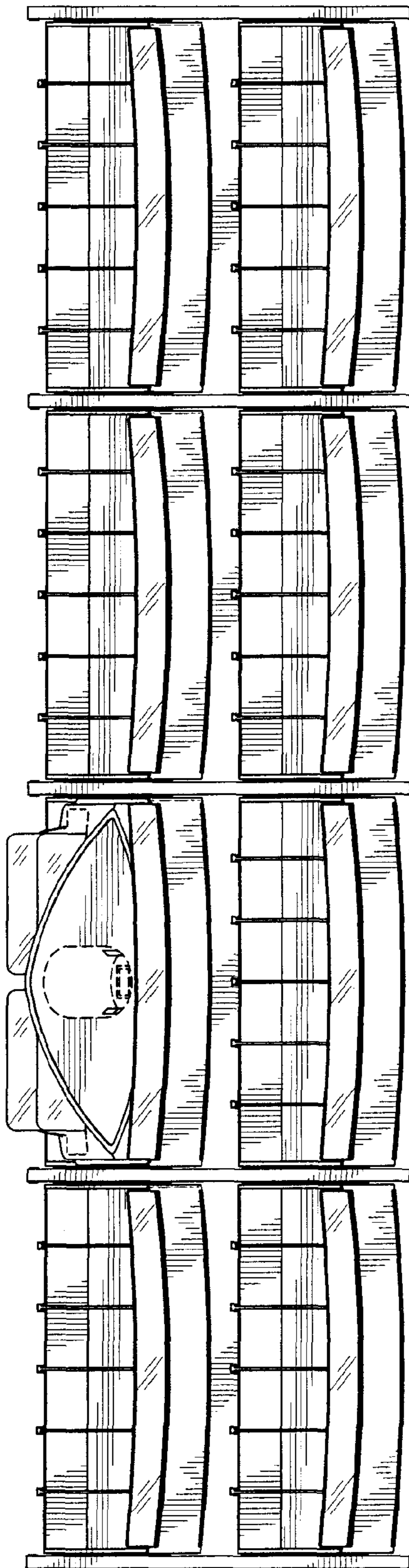


Fig. 2

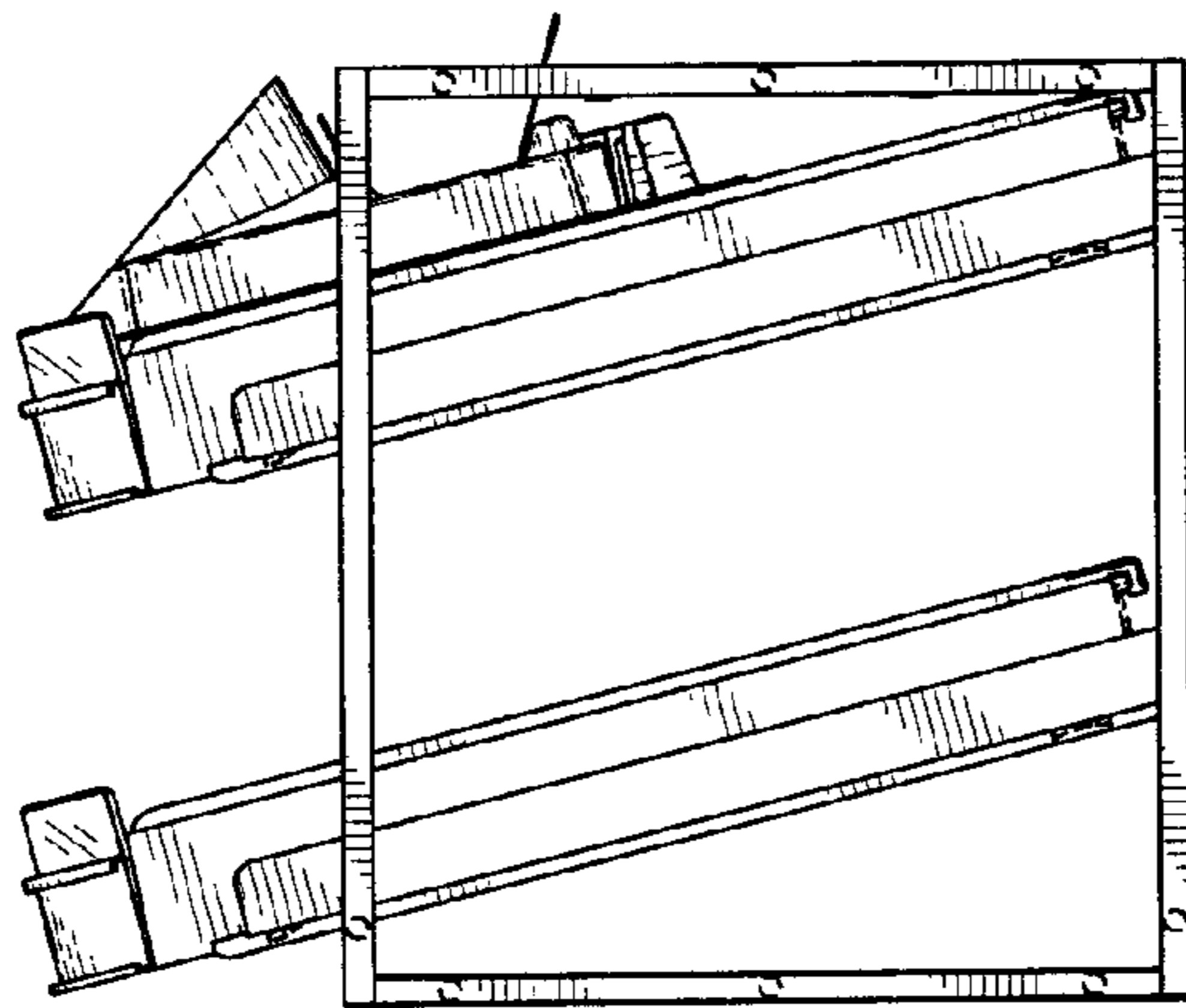


Fig. 3

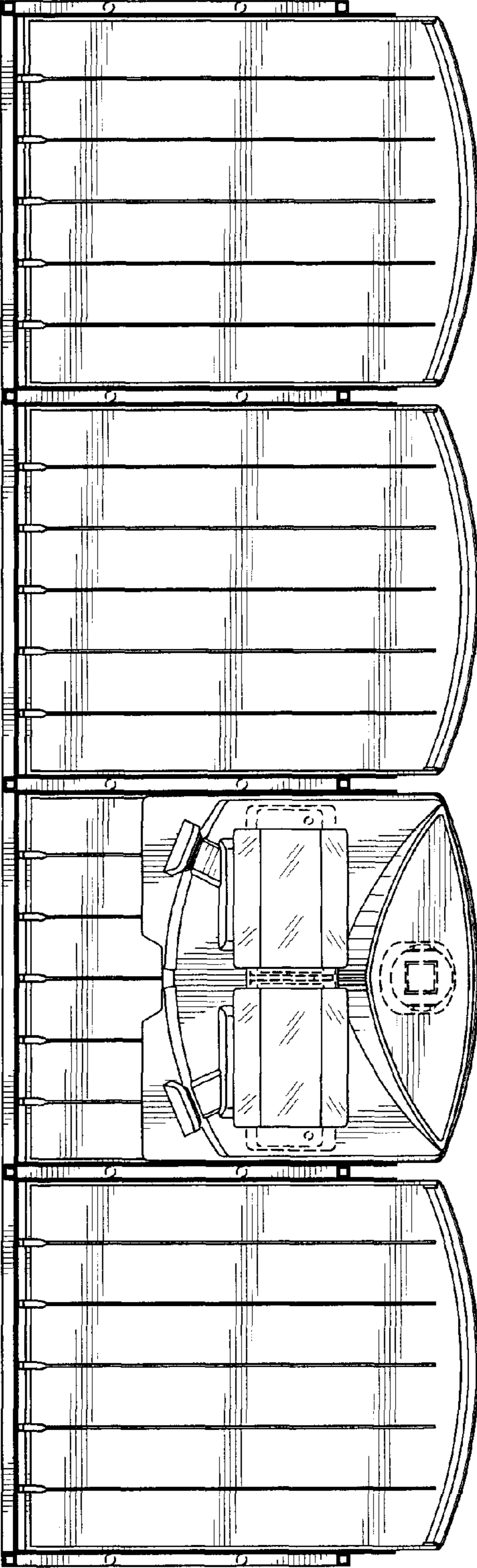


Fig. 4

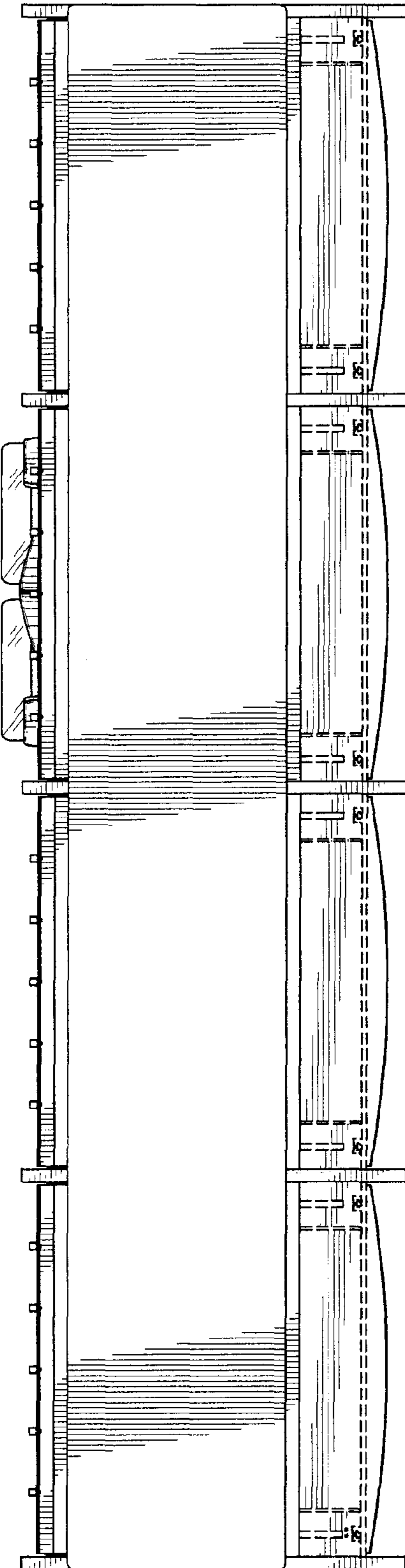


Fig. 5