



US00D655106S

(12) **United States Design Patent**  
**Czalkiewicz et al.**

(10) **Patent No.:** **US D655,106 S**  
(45) **Date of Patent:** **\*\* Mar. 6, 2012**

(54) **DISPLAY ASSEMBLY WITH INTEGRAL ROLLER BASE**

(75) Inventors: **Joseph Czalkiewicz**, Brunswick, OH (US); **Kenneth E. Loy, II**, Louisville, OH (US); **Brian McFadden**, Medina, OH (US); **Michael S. Rotolo**, North Royalton, OH (US)

(73) Assignee: **E-B Display Company, Inc.**, Massillon, OH (US)

(\*\*) Term: **14 Years**

(21) Appl. No.: **29/386,043**

(22) Filed: **Feb. 24, 2011**

(51) **LOC (9) Cl.** ..... **06-04**

(52) **U.S. Cl.** ..... **D6/462**

(58) **Field of Classification Search** ..... D6/396, D6/397, 408-410, 449, 450, 453-470, 510; 211/1, 13.1, 51, 59.2, 69.1, 69.5, 70, 70.1, 211/70.6, 74, 77, 78, 85.1, 85.2, 85.4, 85.31, 211/126.9, 134, 153, 162, 181.1, 182, 187; D34/28, 29; 193/35 R; 414/267, 276, 529

See application file for complete search history.

(56) **References Cited**

**U.S. PATENT DOCUMENTS**

1,455,977	A *	5/1923	Wentz	.....	193/35 R
2,964,154	A *	12/1960	Erickson	.....	193/35 R
4,372,451	A *	2/1983	Rasmussen et al.	.....	211/187
5,474,412	A *	12/1995	Pfeiffer et al.	.....	414/276
5,478,189	A *	12/1995	Agtuca	.....	414/529
D367,749	S *	3/1996	Gibbons et al.	.....	D34/28

5,607,068	A *	3/1997	Coretti et al.	.....	211/59.2
6,431,808	B1 *	8/2002	Lowrey et al.	.....	414/276
6,948,900	B1 *	9/2005	Neuman	.....	414/267
D551,467	S *	9/2007	Kassanoff et al.	.....	D6/510
D577,513	S *	9/2008	Walker et al.	.....	D6/449
D588,839	S *	3/2009	Klein et al.	.....	D6/462

\* cited by examiner

*Primary Examiner* — Mary Ann Calabrese

(74) *Attorney, Agent, or Firm* — Sand & Sebolt

(57) **CLAIM**

The ornamental design for a display assembly with integral roller base, as shown and described.

**DESCRIPTION**

FIG. 1 is a front perspective view of a display assembly in accordance with the present design;

FIG. 2 is a front perspective view of the display assembly of FIG. 1 with one of a plurality of movable dividers exploded outwardly therefrom;

FIG. 3 is a left side view thereof;

FIG. 4 is a right side view of the display assembly of FIG. 3; FIG. 5 is a front view thereof taken in the direction of line 5-5 of FIG. 3;

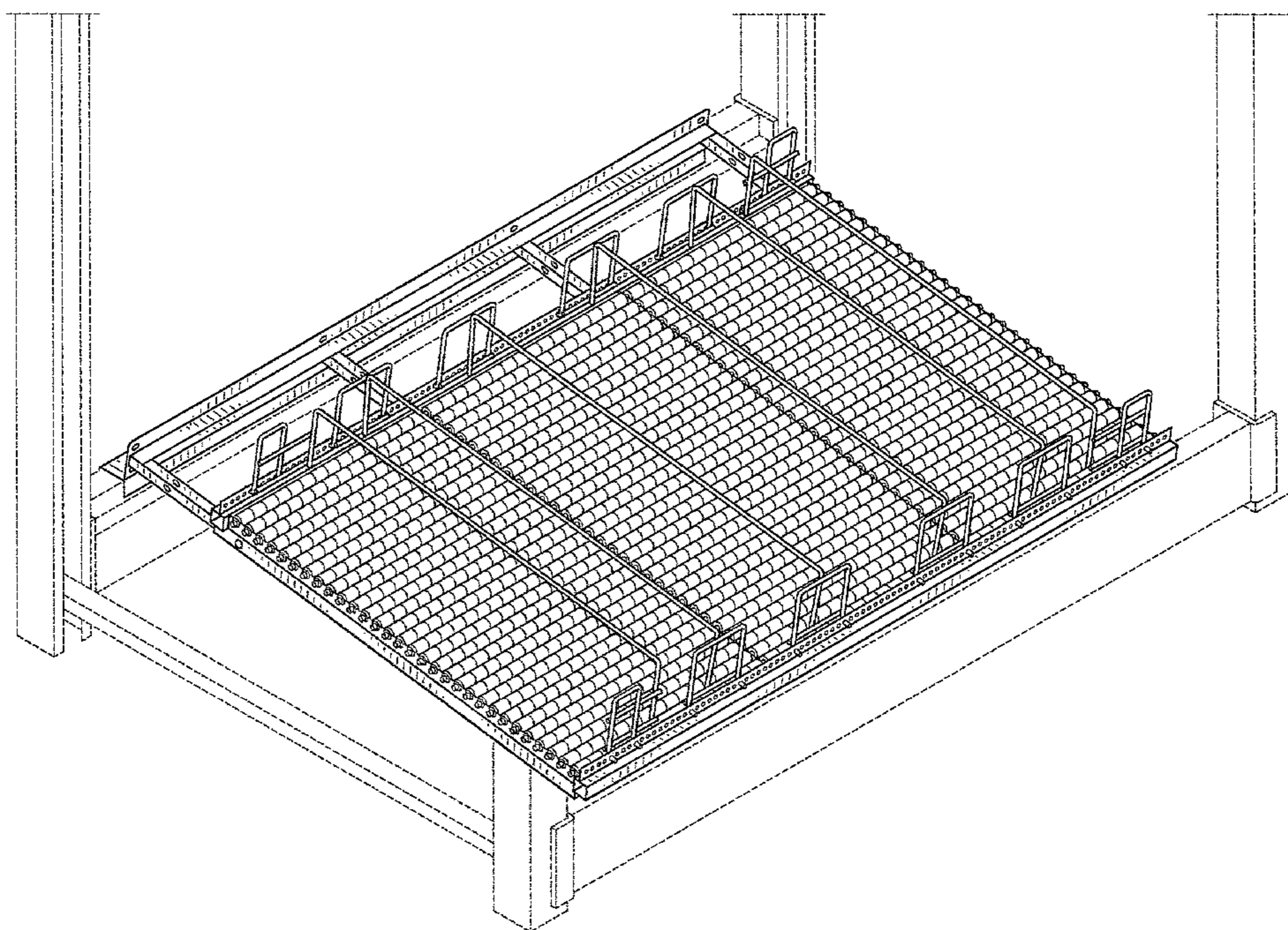
FIG. 6 is a rear view thereof taken in the direction of line 6-6 of FIG. 3;

FIG. 7 is a reduced scale top view thereof; and,

FIG. 8 is a bottom view thereof.

The broken lines showing one or more of the uprights, front beam, rear beam and crossbrace of a shelving unit in FIGS. 1, 3, and 4 depict unclaimed environmental subject matter and form no part of the claimed design.

**1 Claim, 7 Drawing Sheets**





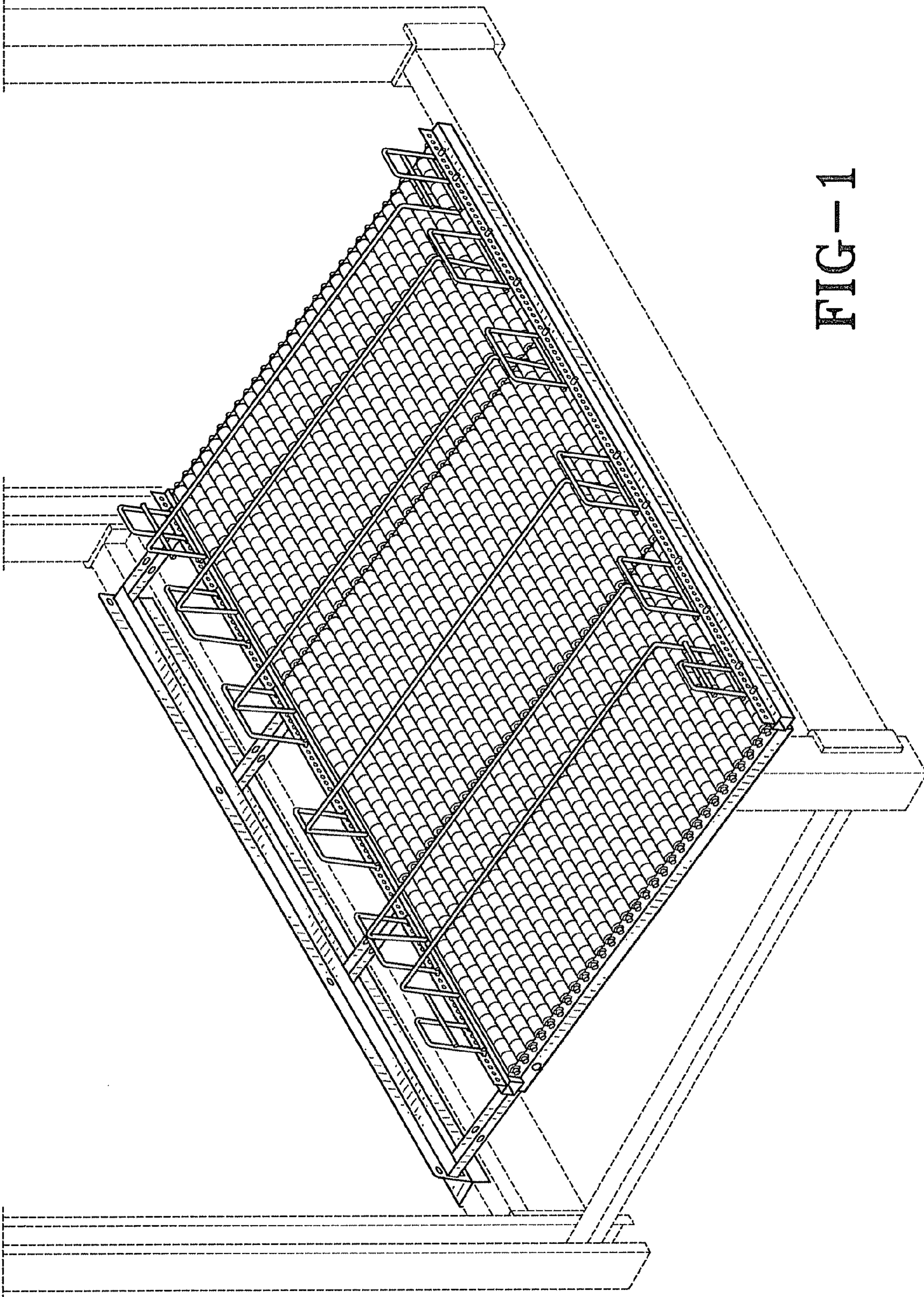


FIG-1



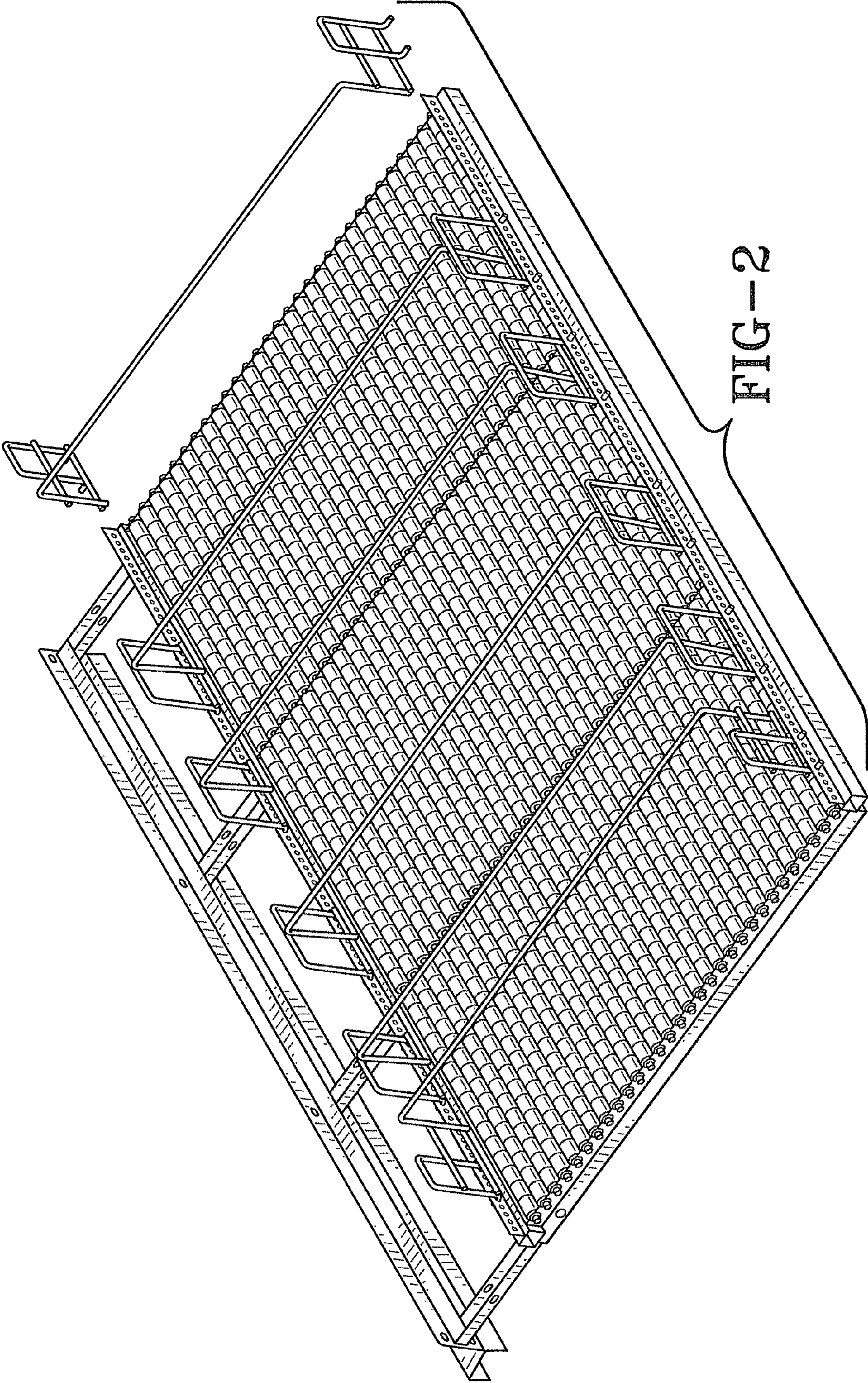


FIG-2

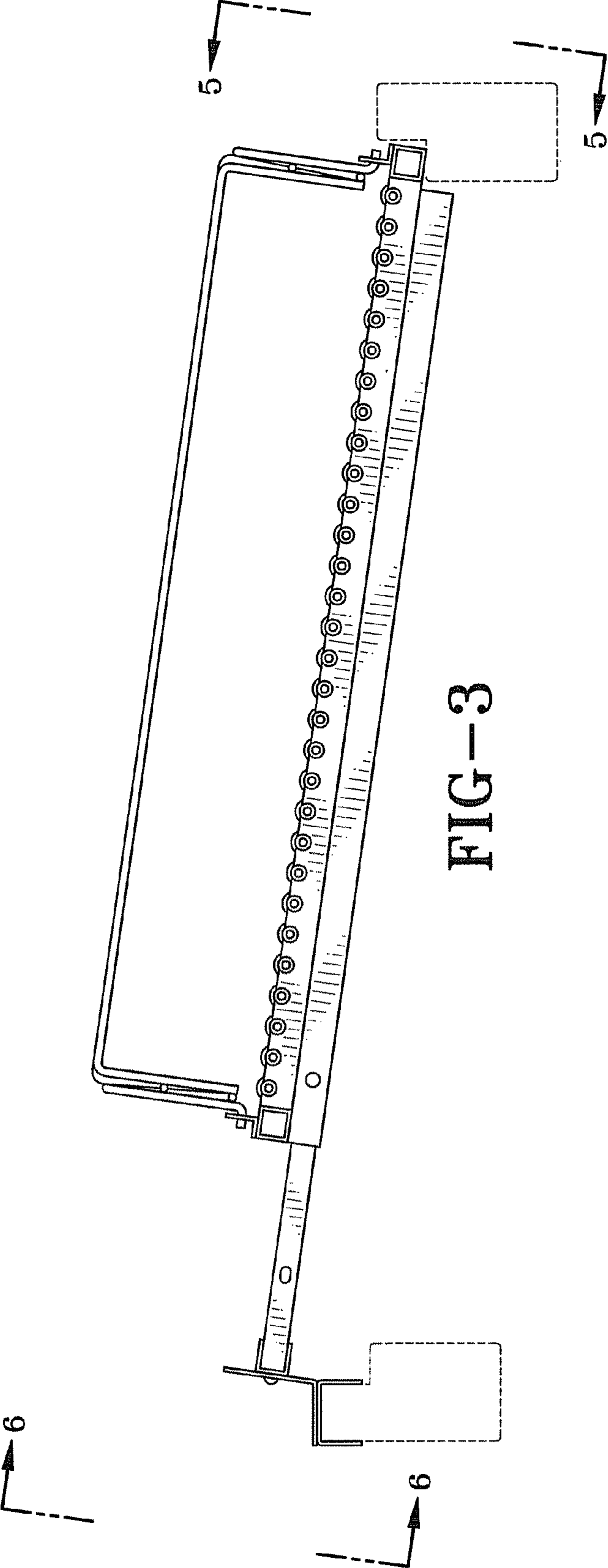


FIG-3



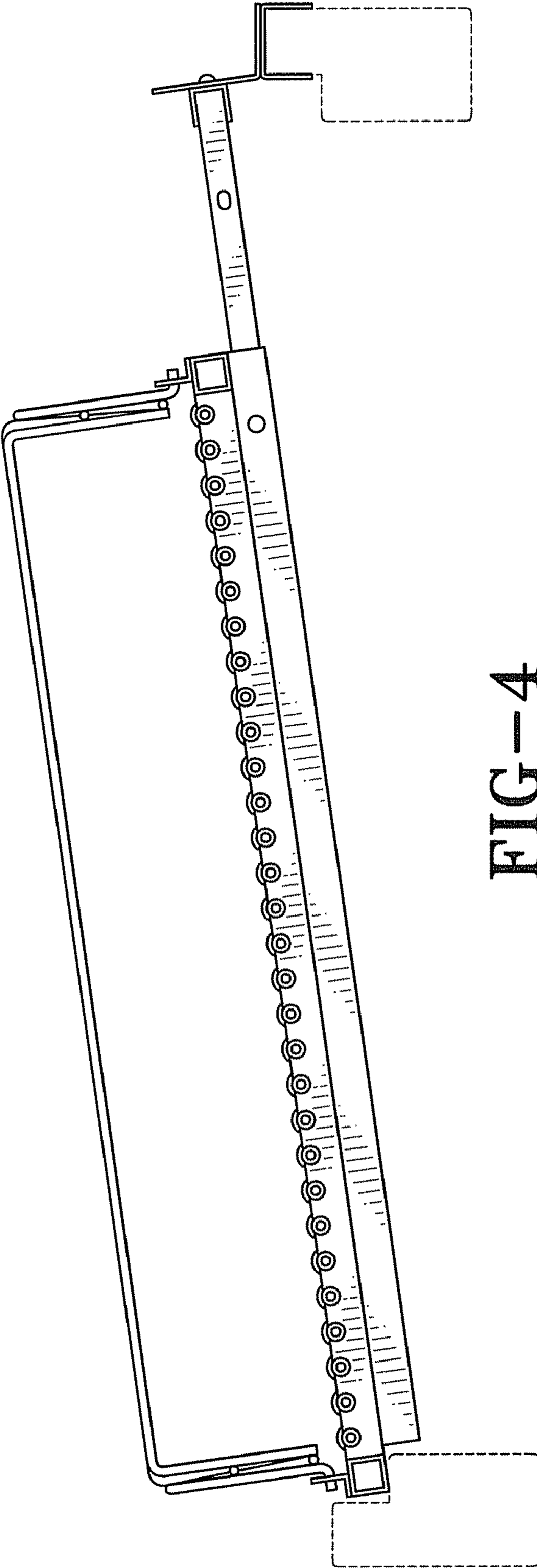


FIG-4

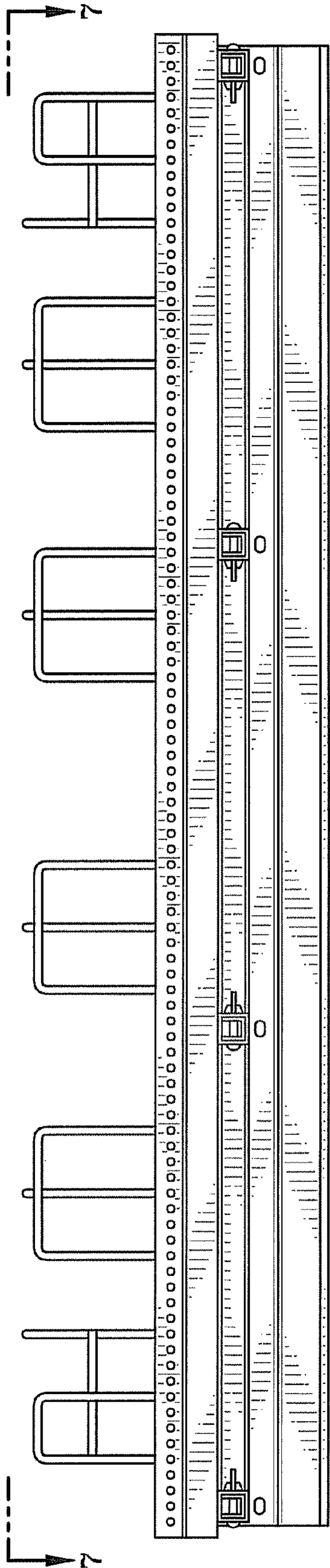


FIG-5

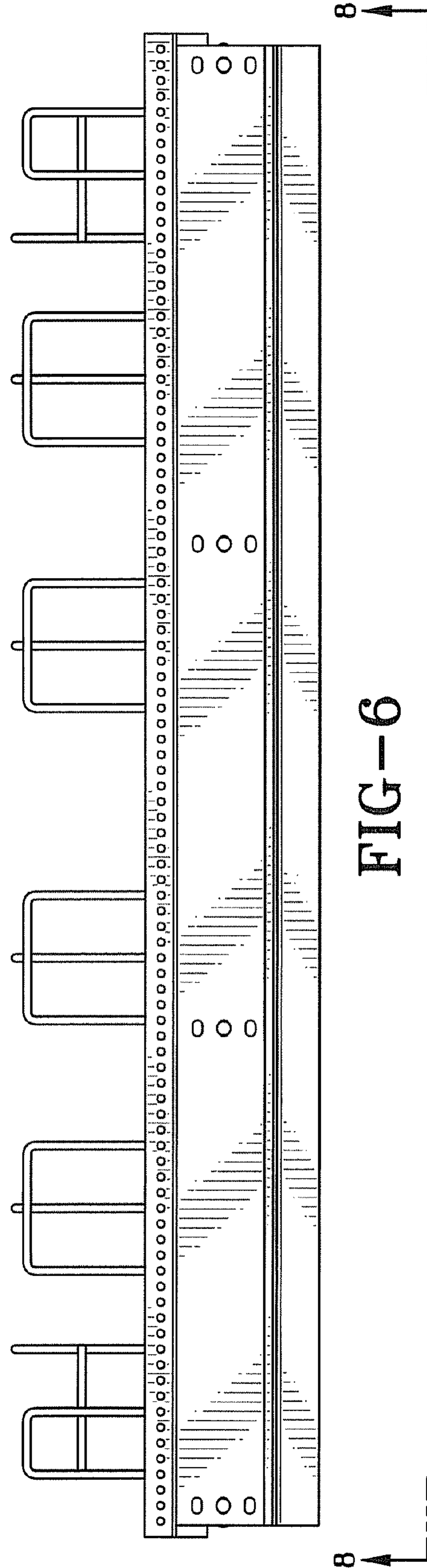


FIG-6



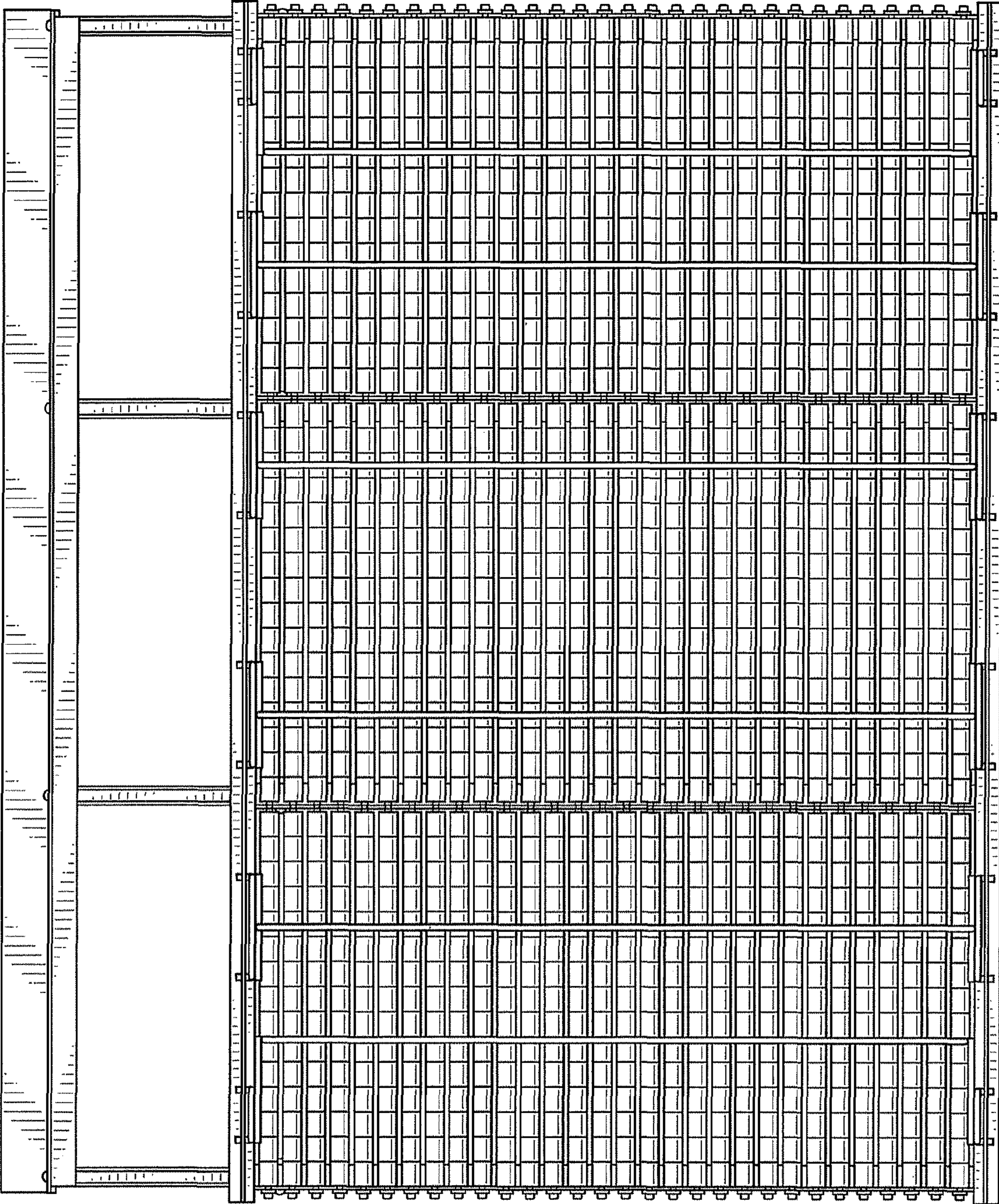


FIG-7



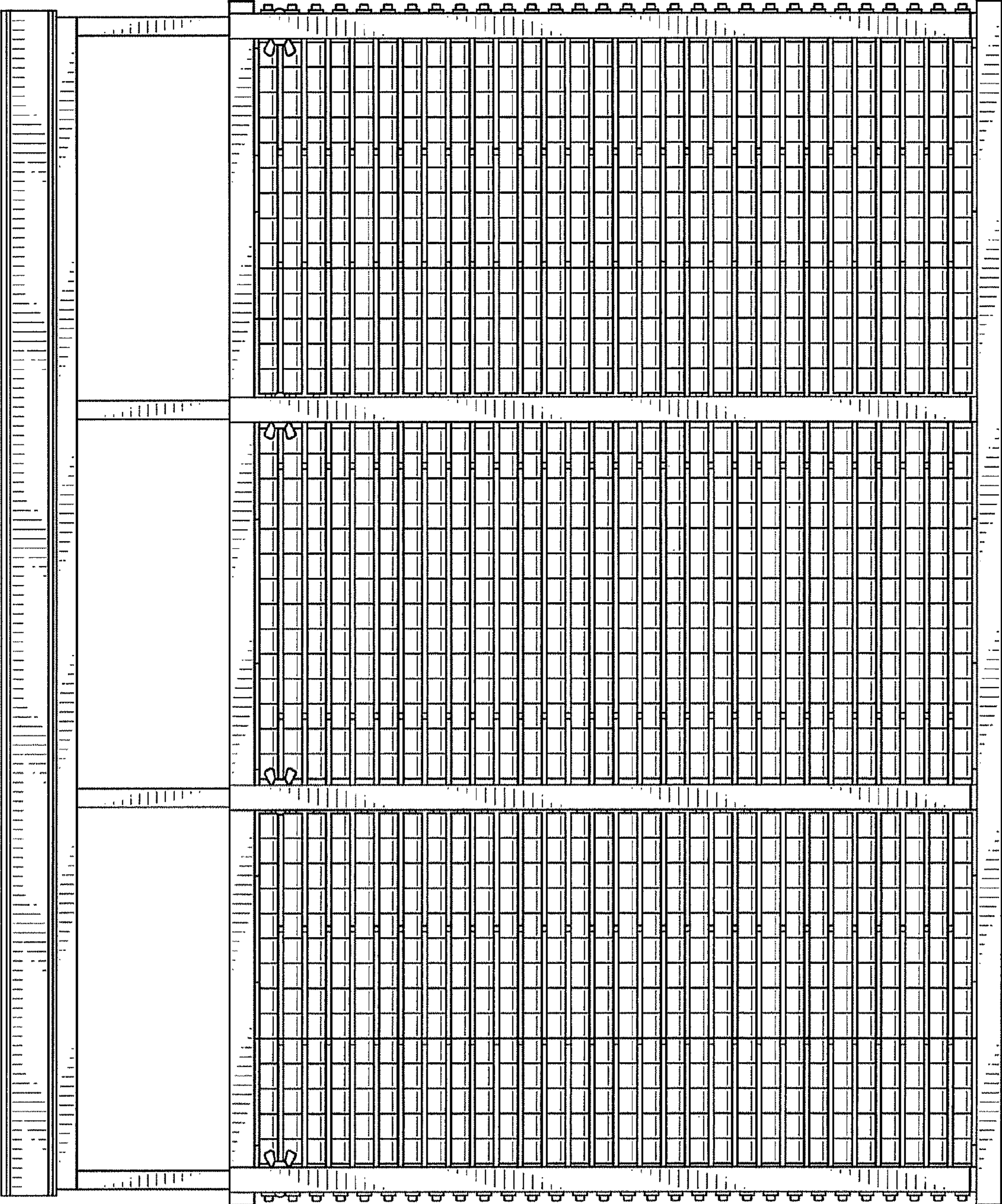


FIG-8