



US00D655105S

(12) **United States Design Patent**
Mason

(10) **Patent No.:** **US D655,105 S**
(45) **Date of Patent:** **** Mar. 6, 2012**

(54) **DISPLAY UNIT**
(75) Inventor: **Timothy L. Mason**, Melville, NY (US)
(73) Assignee: **New Dimensions Research Corporation**, Melville, NY (US)
(**) Term: **14 Years**
(21) Appl. No.: **29/373,443**
(22) Filed: **Apr. 8, 2011**
(51) **LOC (9) Cl.** **06-04**
(52) **U.S. Cl.** **D6/459**
(58) **Field of Classification Search** D6/393,
D6/397, 449, 450, 454-470; 211/1, 10, 13.1,
211/27, 44, 50-53, 59.2, 59.3, 70, 70.1, 163,
211/186, 189; 312/107, 108
See application file for complete search history.

D450,483 S * 11/2001 Chang et al. D6/467
D451,305 S * 12/2001 Chang et al. D6/467
6,409,027 B1 * 6/2002 Chang et al. 211/59.3
6,467,856 B1 10/2002 Chang et al.
D465,948 S 11/2002 Au et al.
D486,324 S 2/2004 Mason
D489,198 S 5/2004 Mason et al.
D489,556 S 5/2004 Mason
D493,638 S 8/2004 Peyker
D496,193 S 9/2004 Mason
D496,194 S 9/2004 Mason
6,877,618 B2 4/2005 Mason
6,915,914 B2 * 7/2005 Farrand 211/163
D511,426 S 11/2005 Mason
D537,274 S 2/2007 Pirro et al.
D566,989 S 4/2008 Mason

(Continued)

Primary Examiner — Mary Ann Calabrese
(74) *Attorney, Agent, or Firm* — Collard & Roe, P.C.

(56) **References Cited**

U.S. PATENT DOCUMENTS

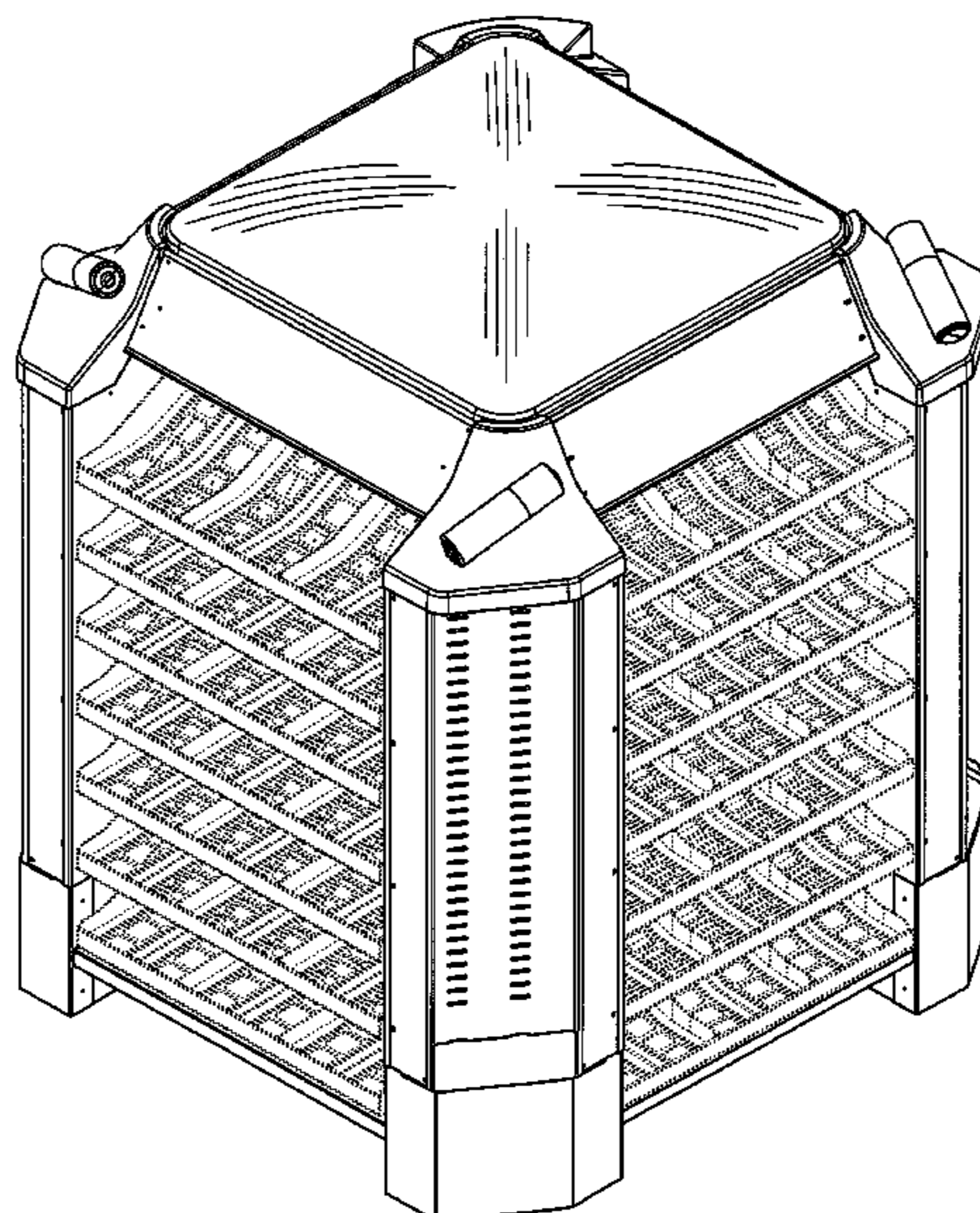
1,317,534 A 9/1919 Williams
1,711,329 A 4/1929 Short
2,649,207 A 8/1953 Shield
3,019,907 A 2/1962 Belejck
3,404,927 A 10/1968 Mellion
D218,867 S 9/1970 Sheps et al.
D223,041 S 2/1972 Kuenster
3,900,112 A 8/1975 Azzi et al.
3,977,523 A 8/1976 Cousino
D259,161 S 5/1981 Thauer
4,299,327 A 11/1981 Thauer
D268,068 S 3/1983 Ellenson et al.
4,684,027 A 8/1987 Wright
4,744,489 A 5/1988 Binder et al.
D316,637 S * 5/1991 Hartwick D6/397
5,353,939 A 10/1994 Beeler et al.
D381,546 S 7/1997 Hunt
D398,179 S 9/1998 Cutsinger
D404,240 S 1/1999 Man
D428,738 S 8/2000 Brozak, Jr.
D430,432 S * 9/2000 Mason D6/465

(57) **CLAIM**
The ornamental design for a display unit, as shown and described.

DESCRIPTION

FIG. 1 shows a top view of my design for a display unit;
FIG. 2 shows a first perspective view thereof;
FIG. 3 shows an elevational view of a first side thereof;
FIG. 4 shows a second perspective view thereof;
FIG. 5 shows an elevational view of a second side thereof;
FIG. 6 shows a third perspective view thereof;
FIG. 7 shows an elevational view of a third side thereof, being opposite said first side;
FIG. 8 shows a fourth perspective view thereof; and,
FIG. 9 shows an elevational view of a fourth side thereof, being opposite said second side.
The bottom view, which is not shown, and the elements shown in broken lines, which depict environmental structure only, form no part of the claimed design.

1 Claim, 9 Drawing Sheets



US D655,105 S

Page 2

U.S. PATENT DOCUMENTS

D612,633 S 3/2010 Mason
2003/0164663 A1 9/2003 Chang et al.
2004/0020878 A1 2/2004 Boron

2004/0182811 A1* 9/2004 Farrand 211/189
2006/0011565 A1* 1/2006 Pirro et al. 211/59.2

* cited by examiner

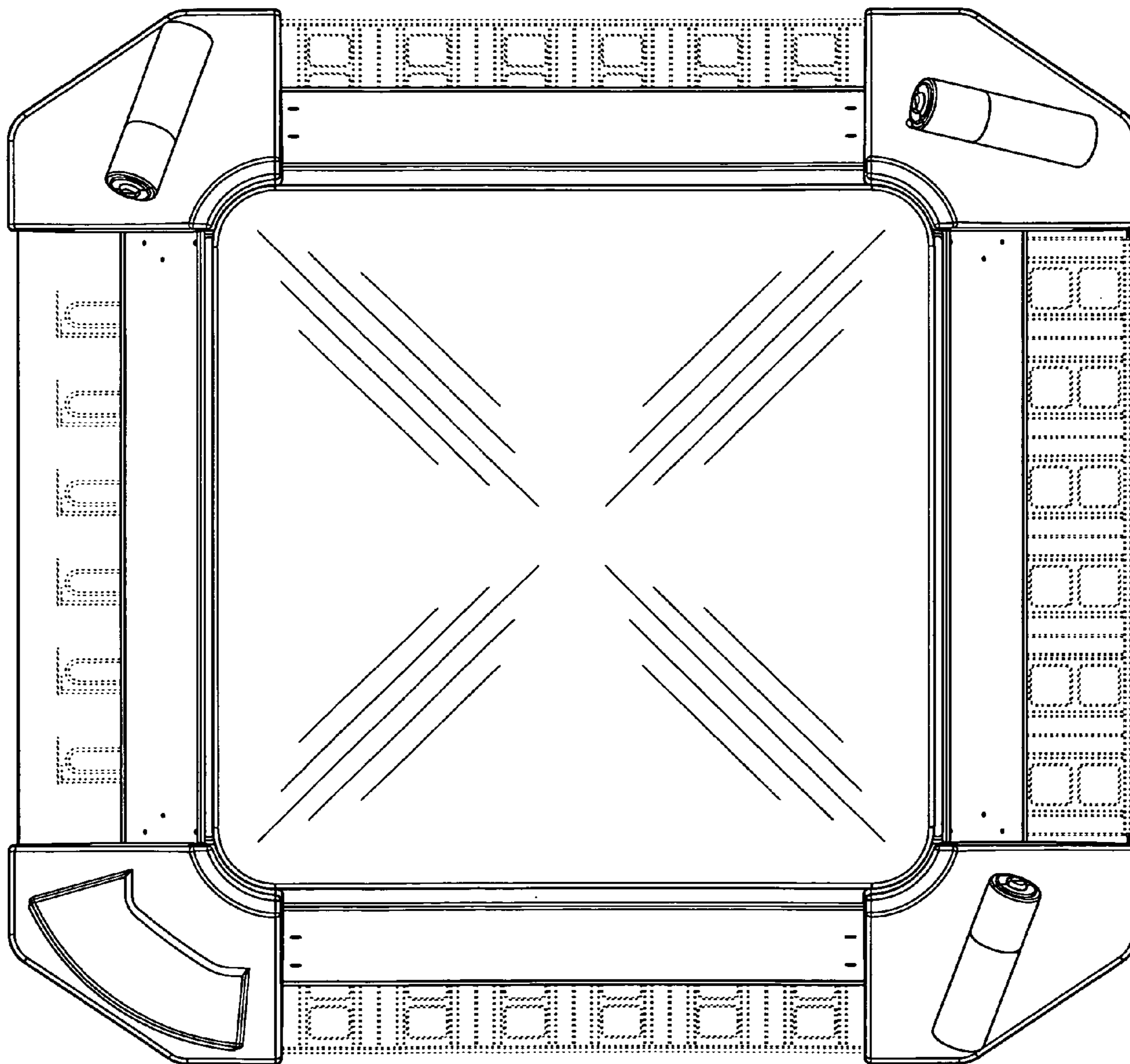


FIG. 1

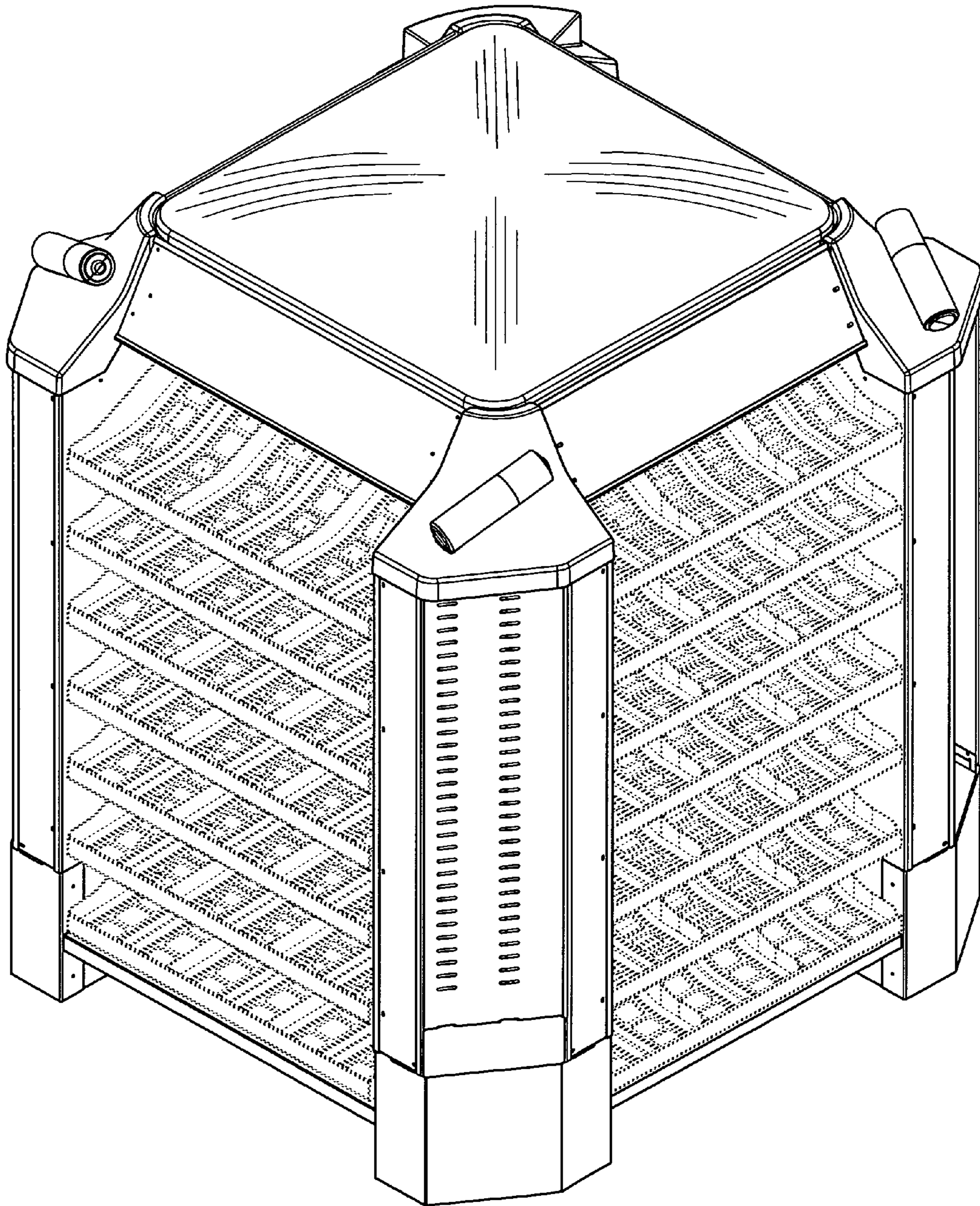


FIG. 2

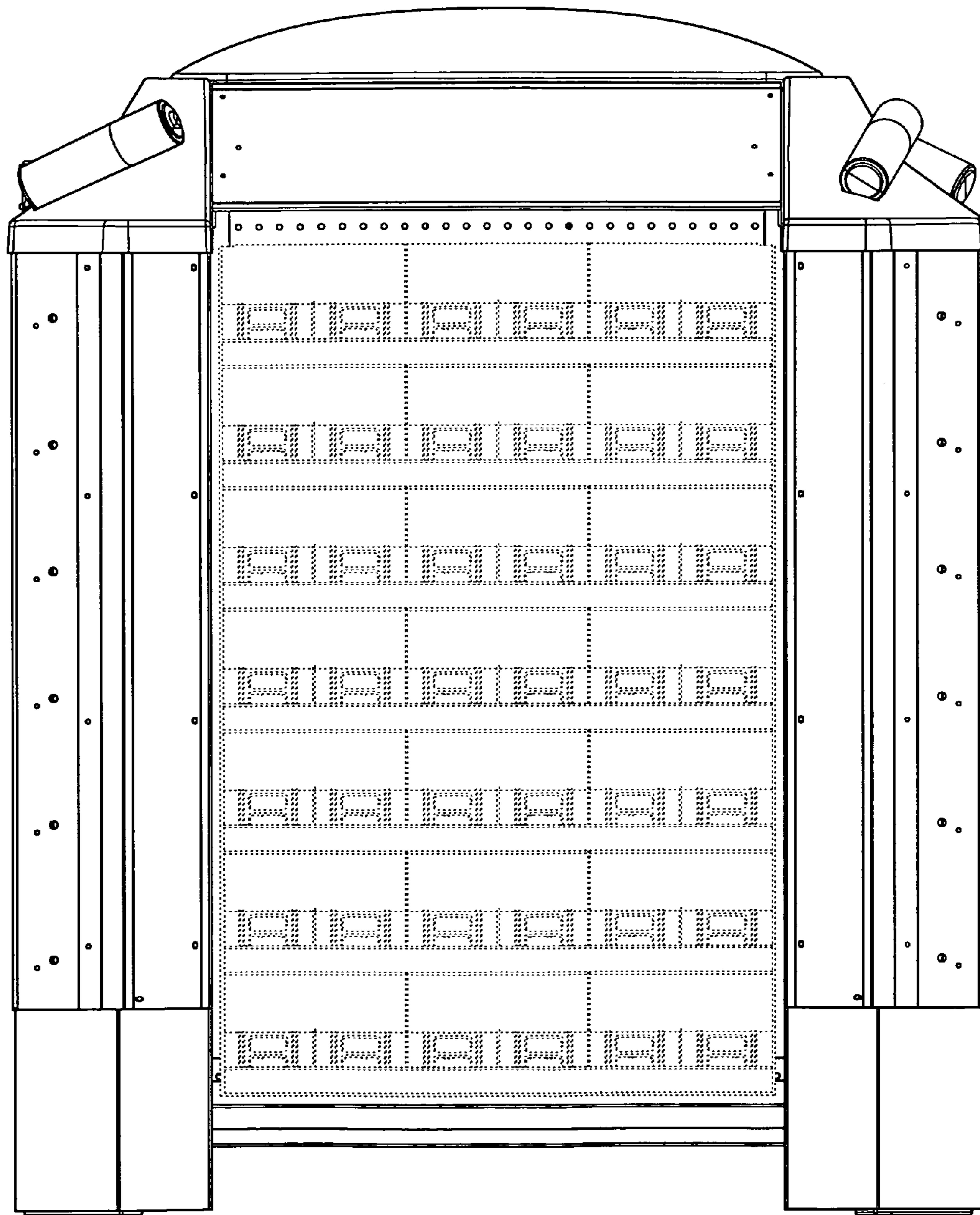


FIG. 3

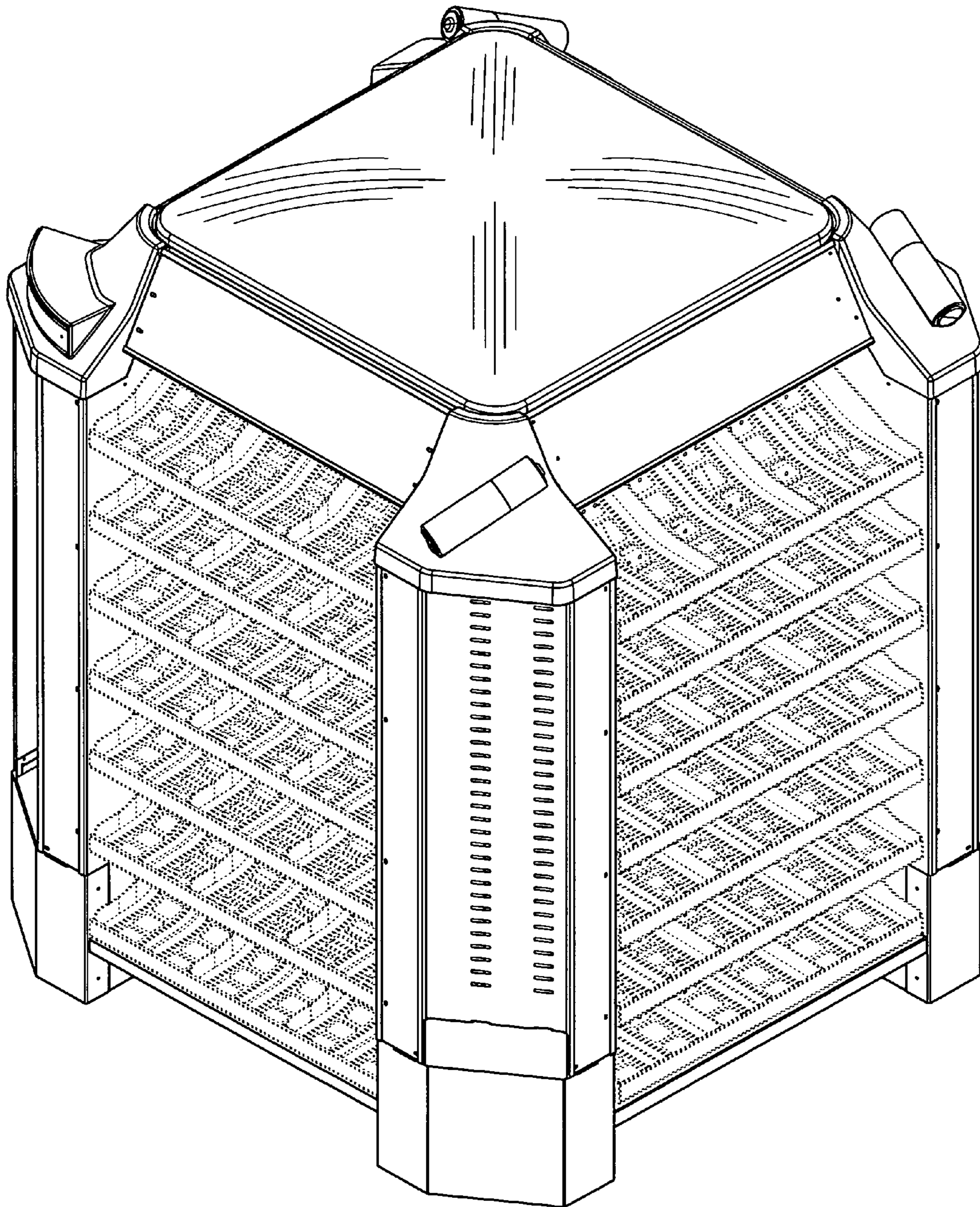


FIG. 4

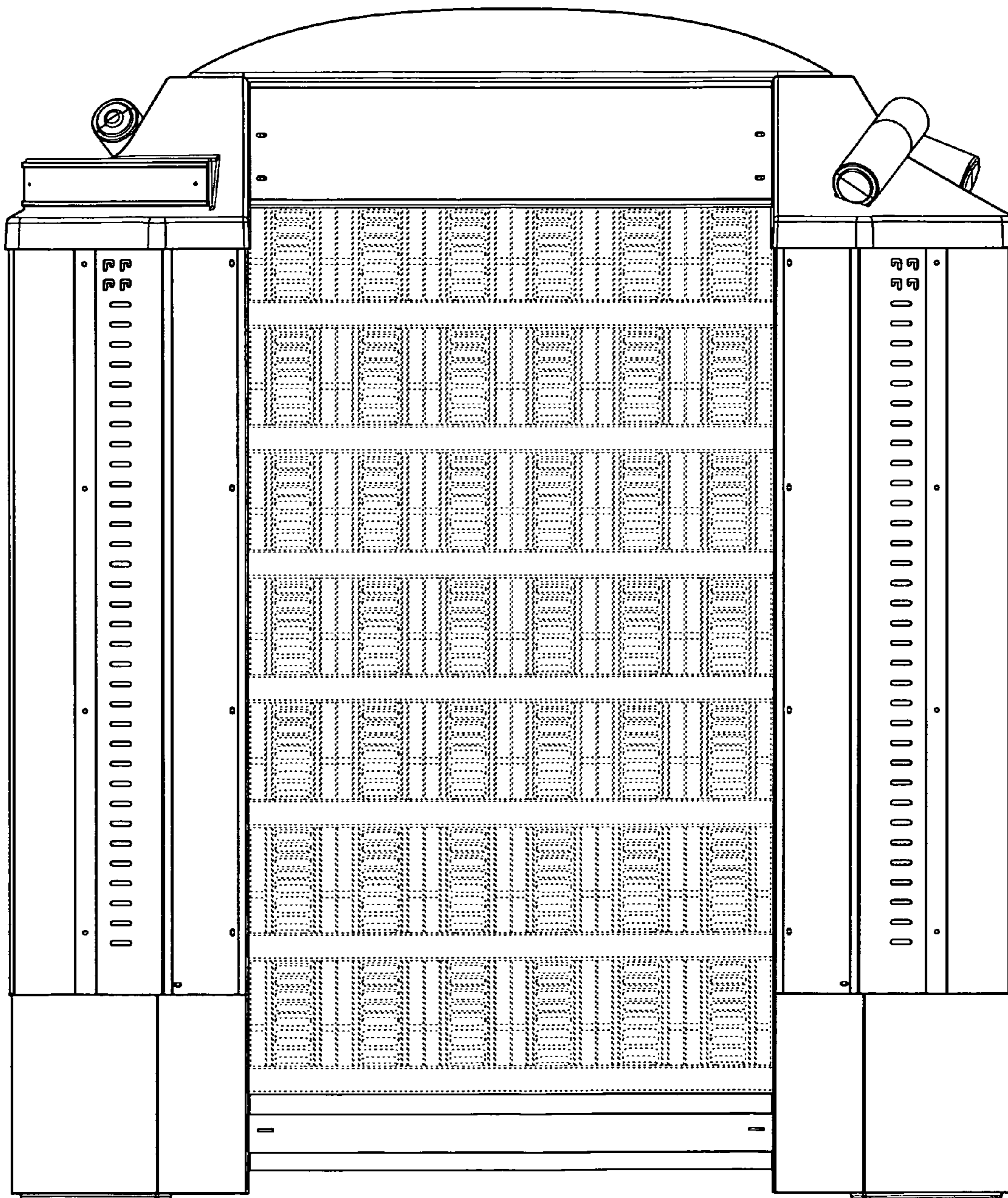


FIG. 5

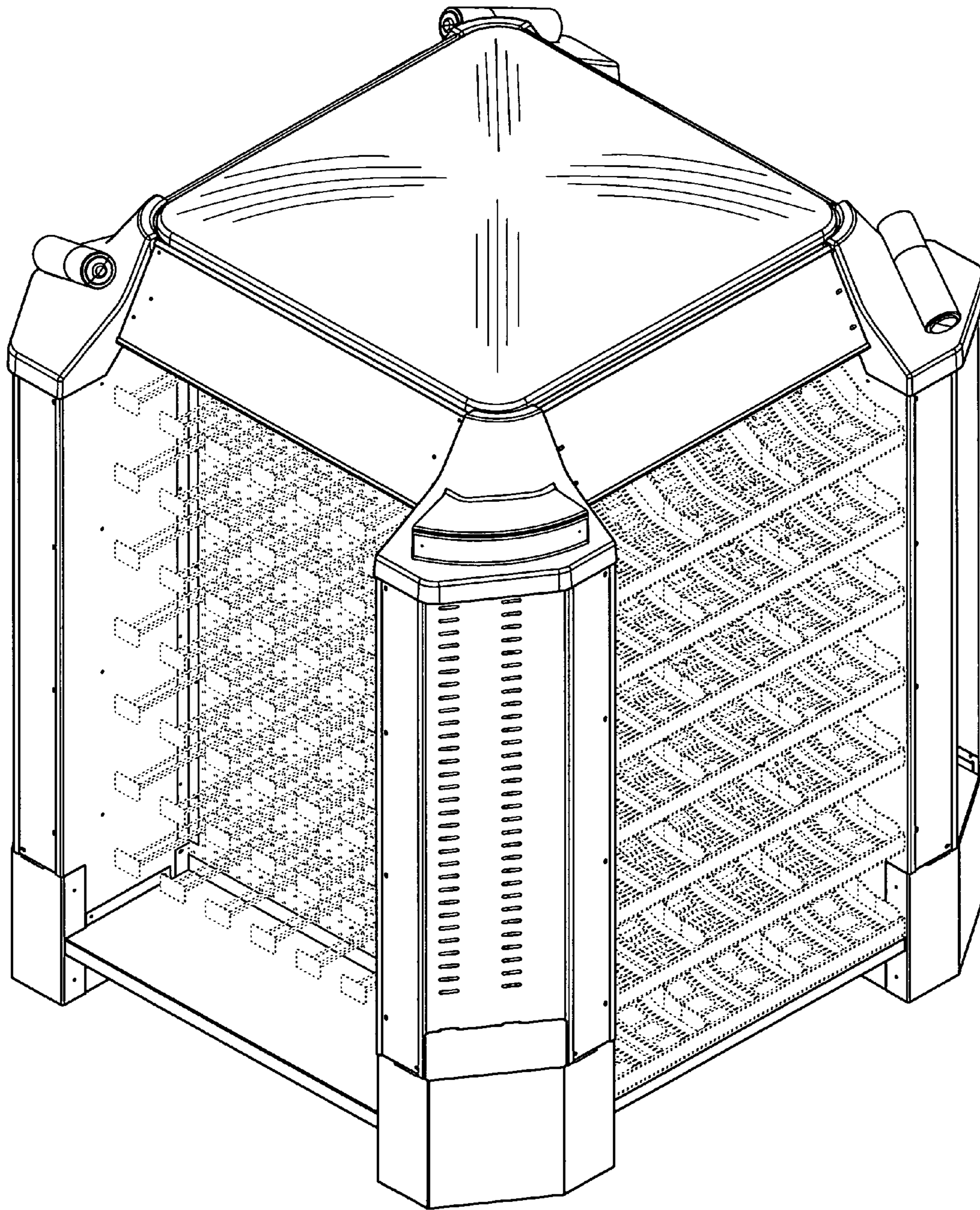


FIG. 6

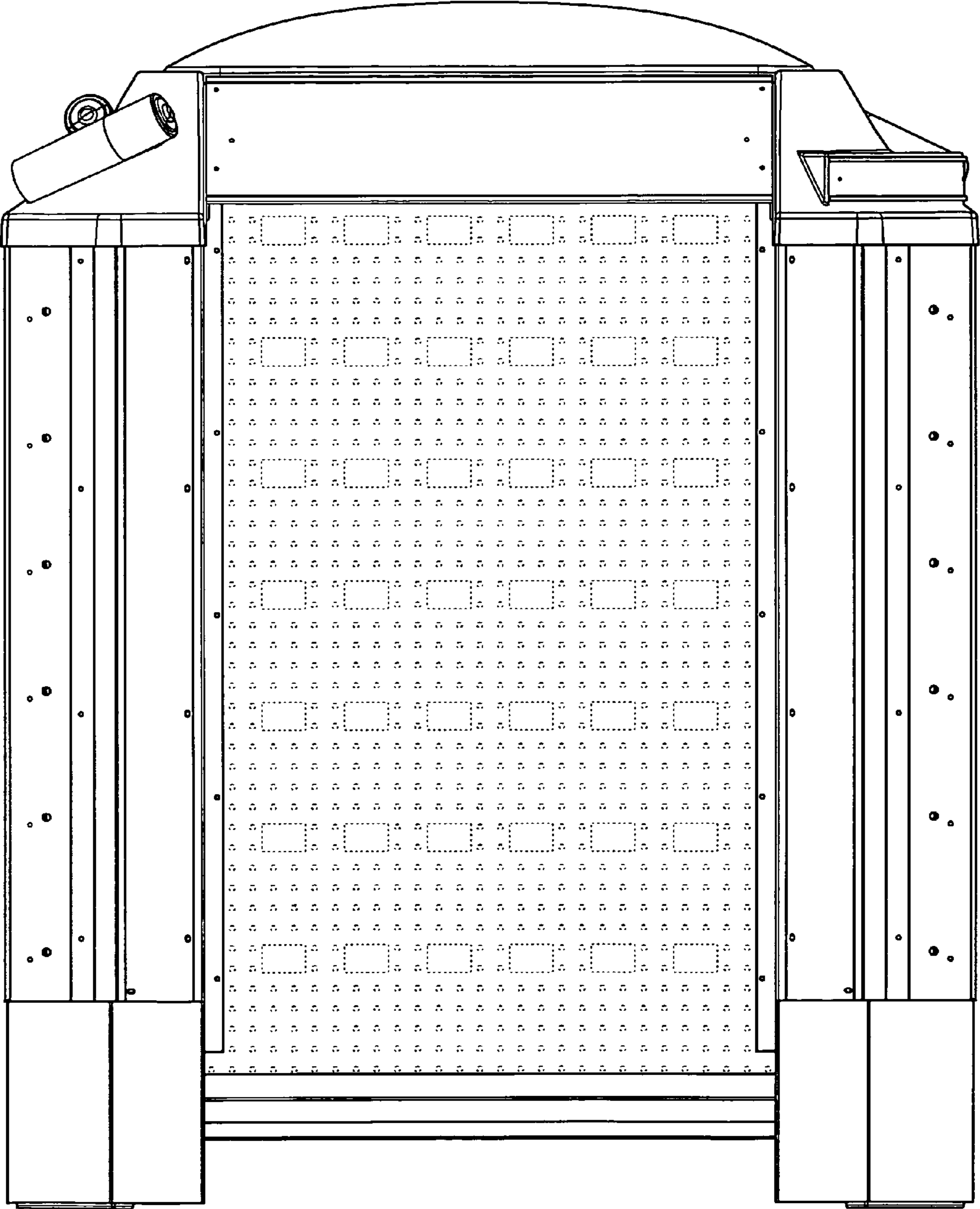


FIG. 7

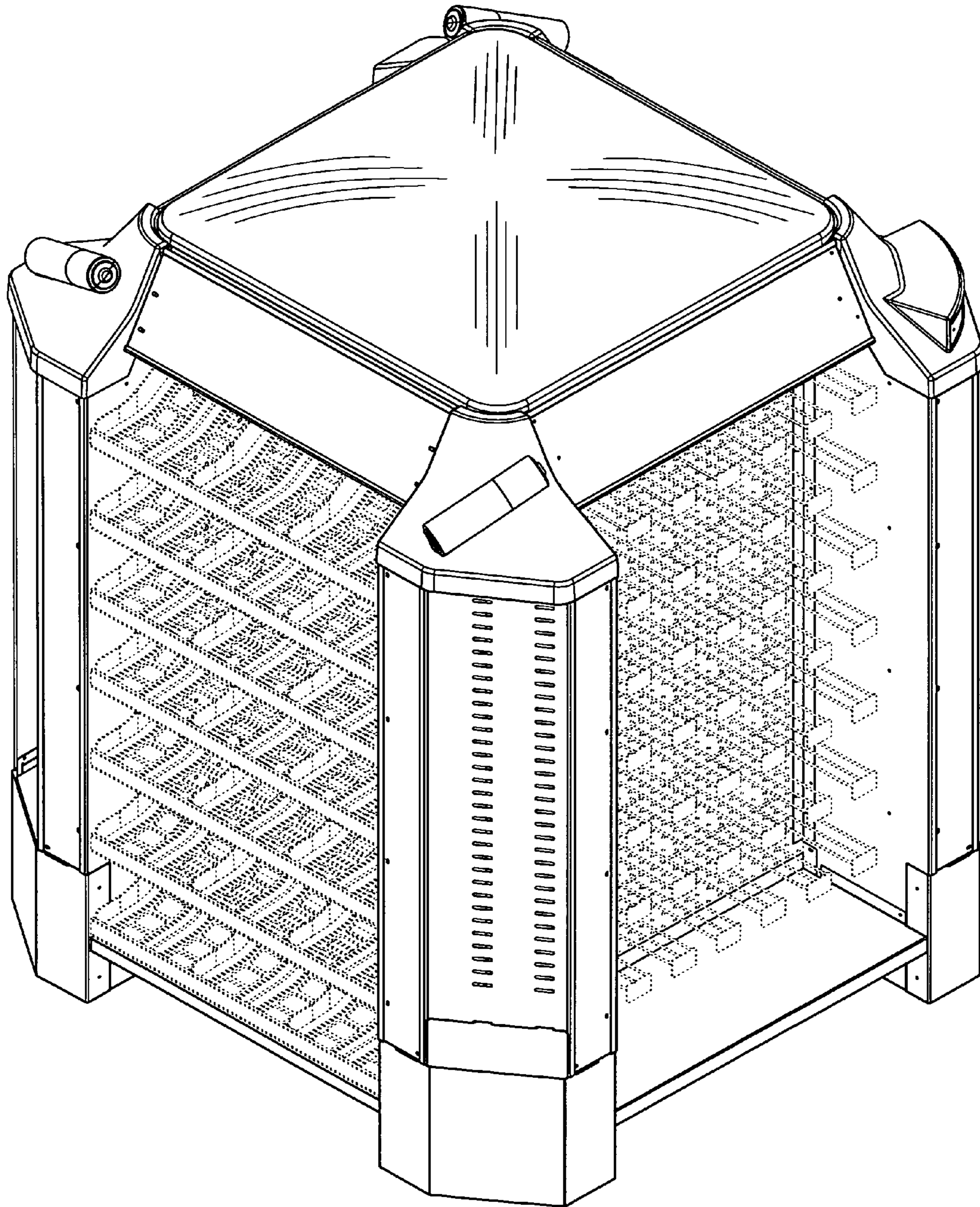


FIG. 8

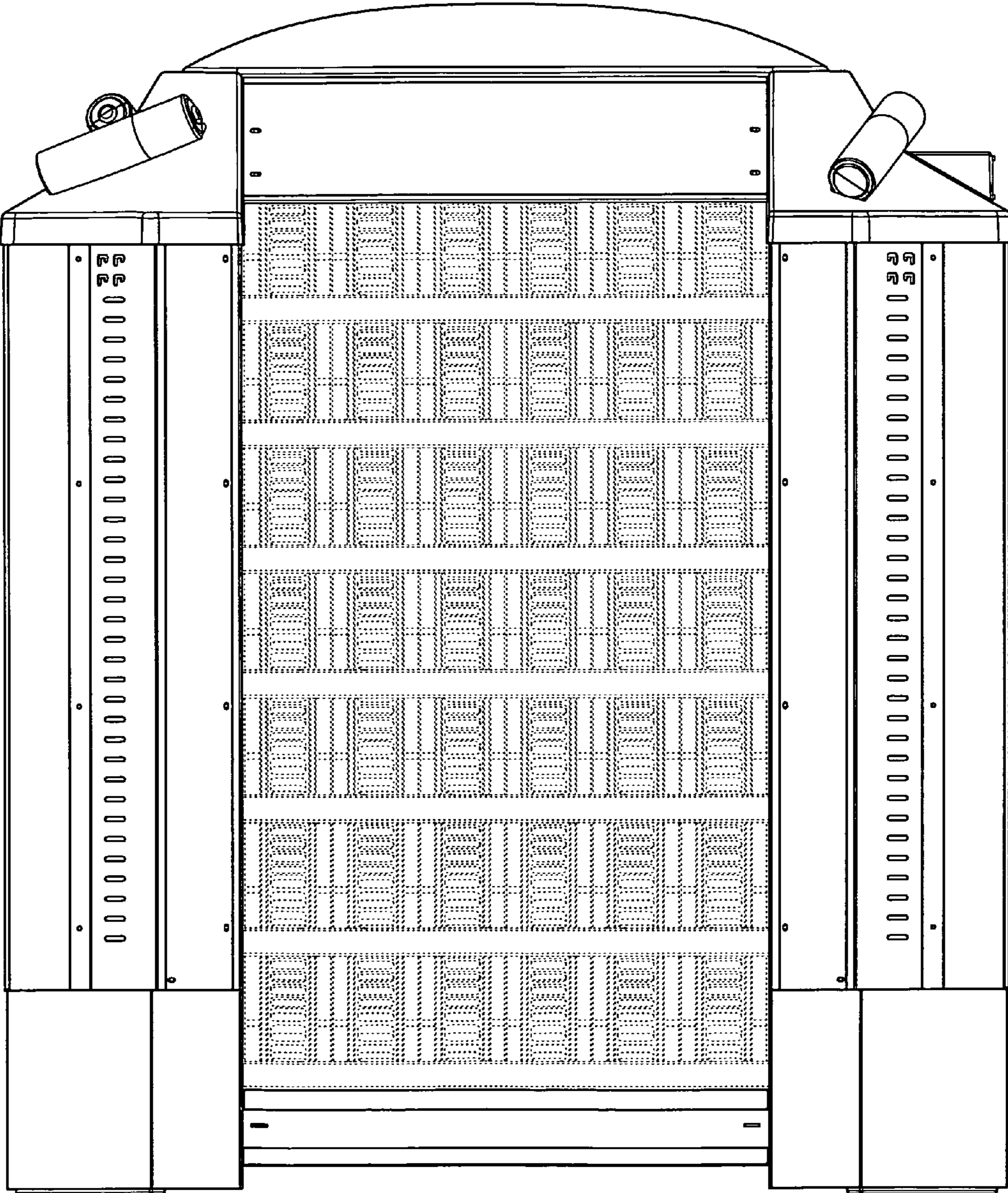


FIG. 9