



US00D655103S

(12) **United States Design Patent**
Barile

(10) **Patent No.:** **US D655,103 S**
(45) **Date of Patent:** **** Mar. 6, 2012**

(54) **CHAIR**

(75) Inventor: **Peter W. Barile**, Morristown, TN (US)

(73) Assignee: **Daniel Paul Chairs, LLC**, Morristown, TN (US)

(**) Term: **14 Years**

(21) Appl. No.: **29/361,490**

(22) Filed: **May 12, 2010**

(51) **LOC (9) Cl.** **06-01**

(52) **U.S. Cl.** **D6/374; D6/380**

(58) **Field of Classification Search** D6/334-336,
D6/360, 370, 371, 372, 373, 374, 375, 379,
D6/380, 500-502; 297/445.1, 446.1, 449.1,
297/451.12, 452.21, 452.63
See application file for complete search history.

(56) **References Cited**

U.S. PATENT DOCUMENTS

D102,695 S * 1/1937 McLellan D6/370
D106,440 S * 10/1937 Jackson D6/374
D357,594 S * 4/1995 Kellen D6/374

D409,848 S * 5/1999 Staubach et al. D6/334
D458,467 S * 6/2002 Starck D6/374
D528,813 S 9/2006 Sienkowski et al.

* cited by examiner

Primary Examiner — Mimoso De

(74) *Attorney, Agent, or Firm* — Pitts & Lake, P.C.

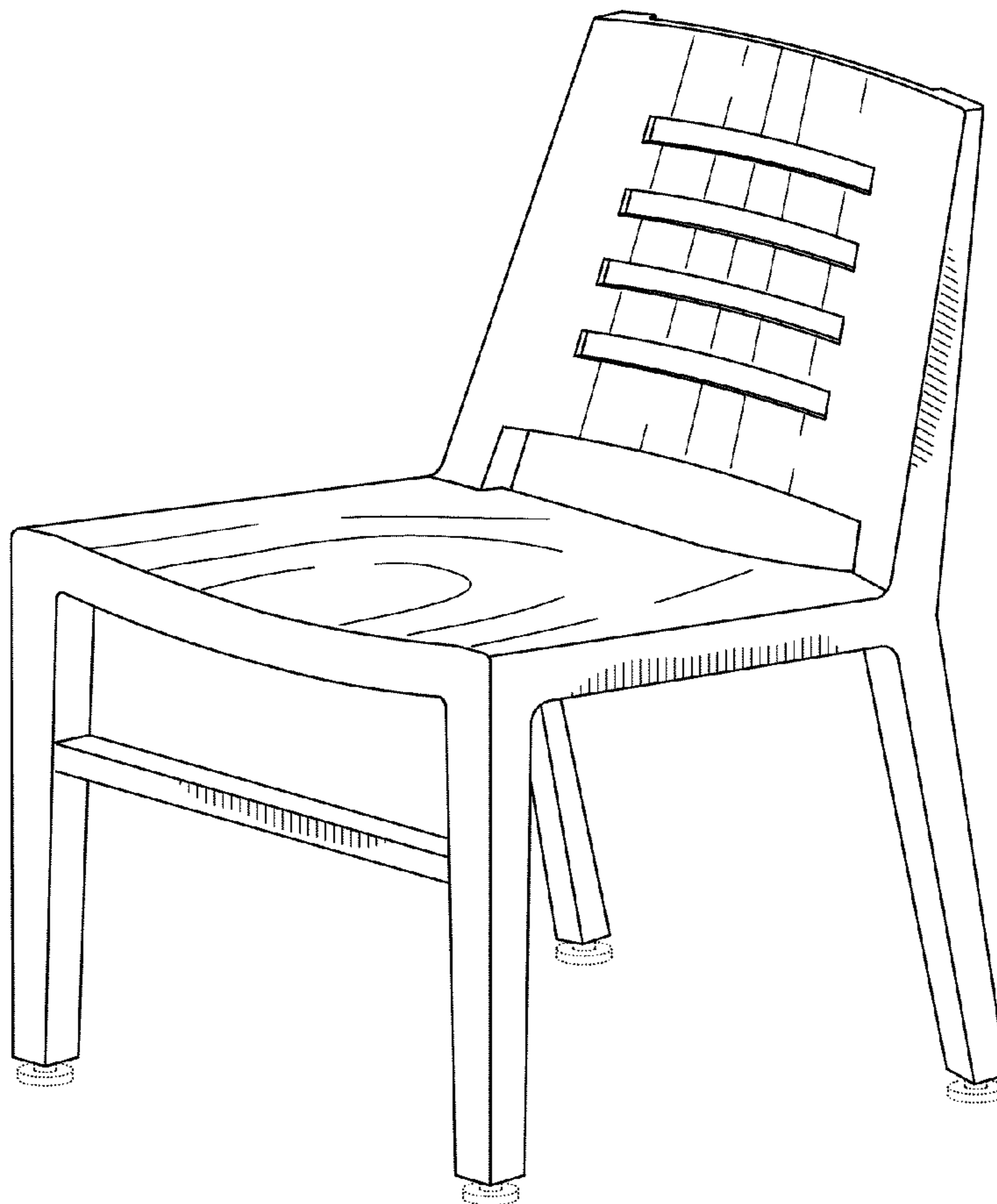
(57) **CLAIM**

I claim the ornamental design for a chair, as shown and described.

DESCRIPTION

FIG. 1 is a perspective view of the design of the present invention for a chair;
FIG. 2 is a front elevation view of the chair of FIG. 1;
FIG. 3 is a rear elevation view of the chair of FIG. 1;
FIG. 4 is a right side elevation view of the chair of FIG. 1, the left side being a mirror image;
FIG. 5 is a top end view of the chair of FIG. 1; and,
FIG. 6 is a bottom end view of the chair of FIG. 1.
The broken lines showing of the footrests in the drawing are for illustrative purposes only and form no part of the claimed design.

1 Claim, 4 Drawing Sheets



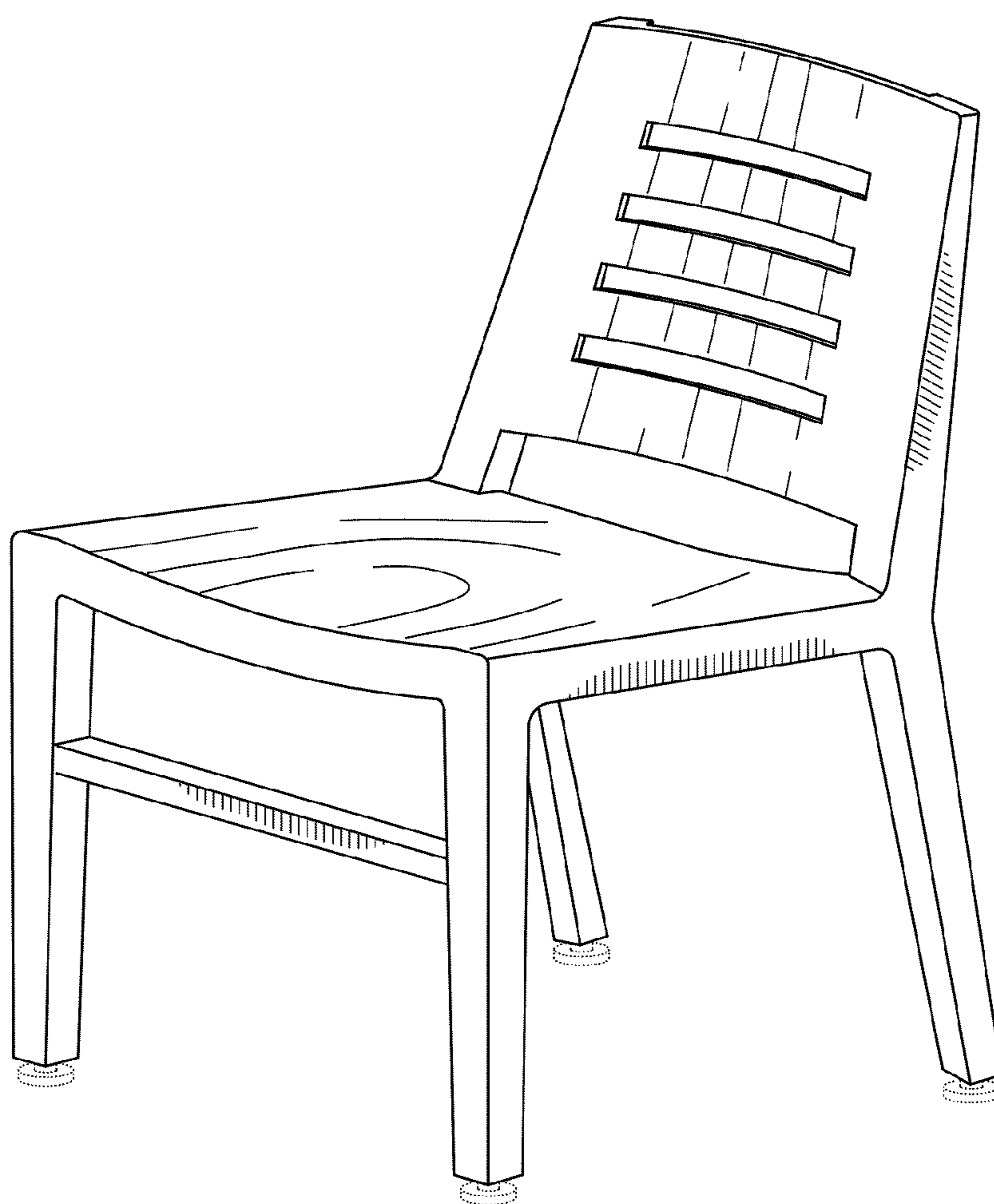


Fig. 1

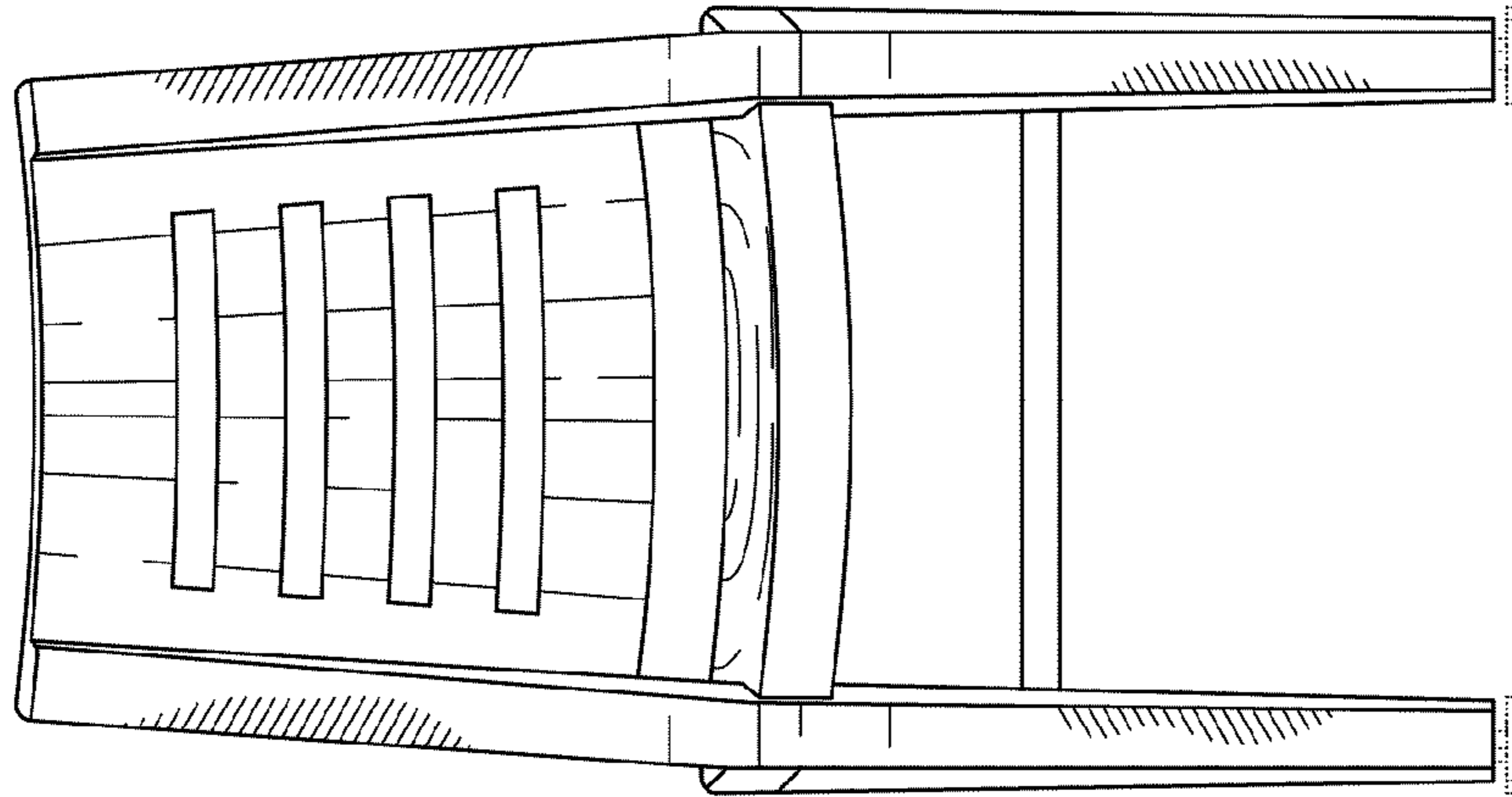


Fig. 3

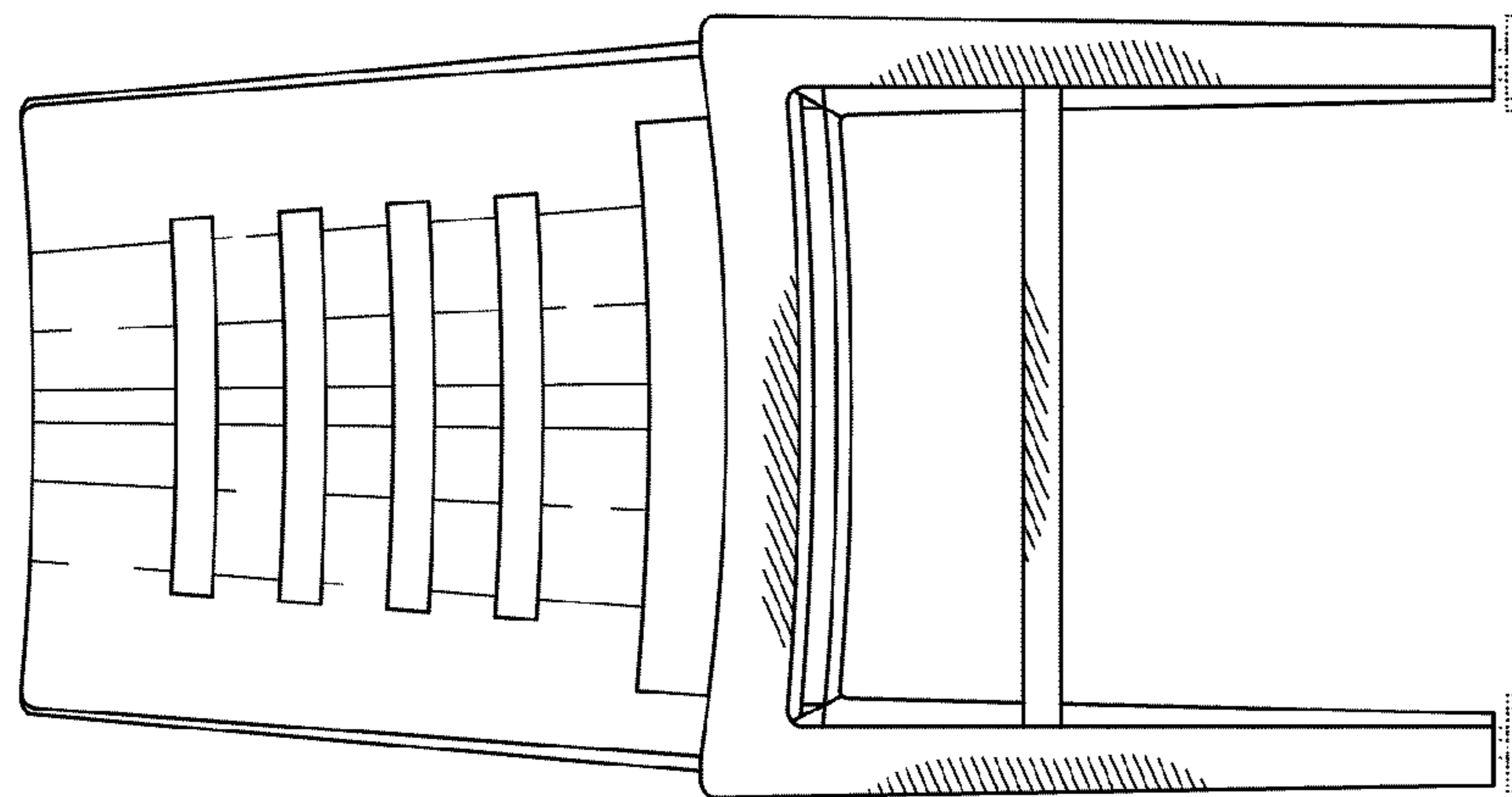


Fig. 2

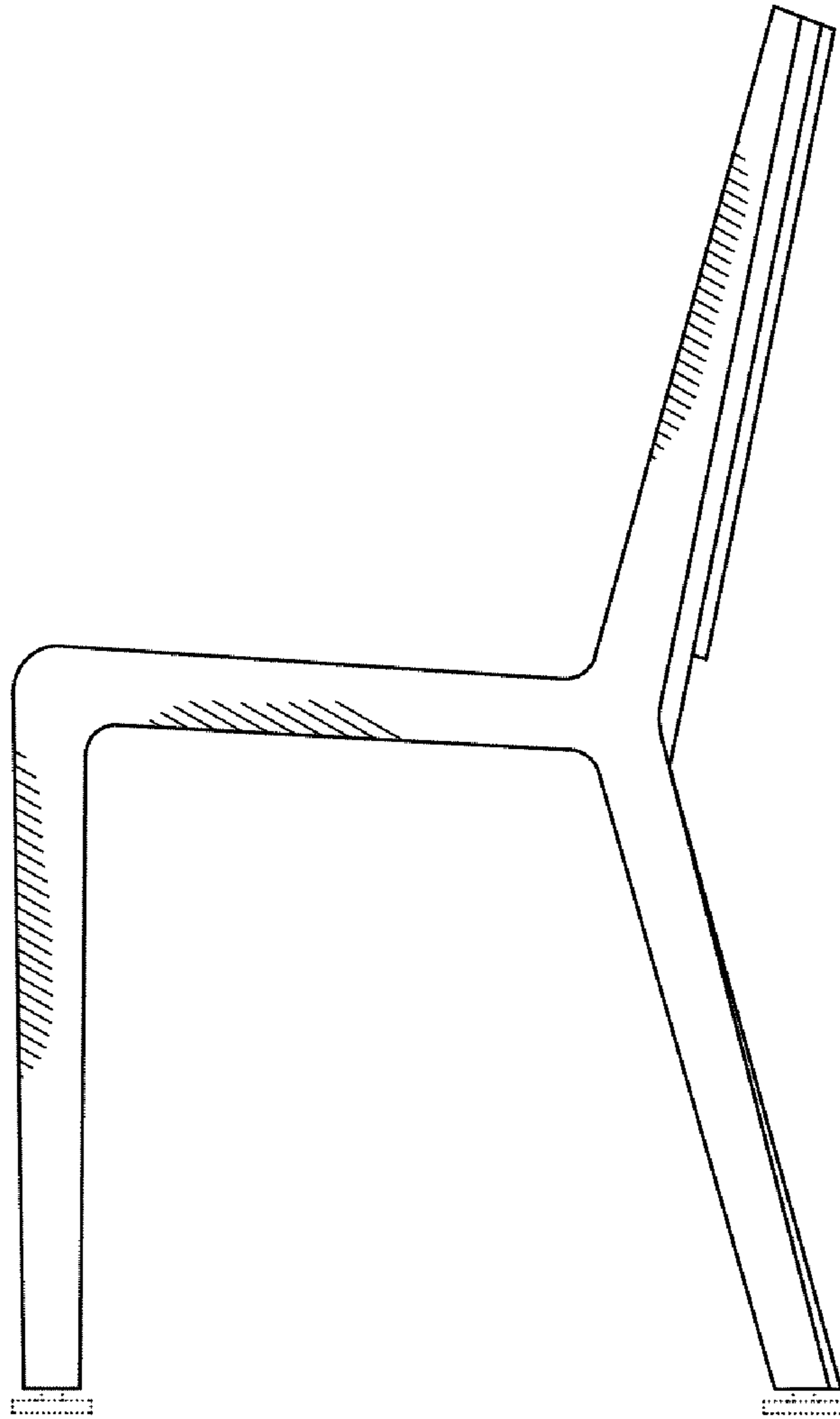


Fig. 4

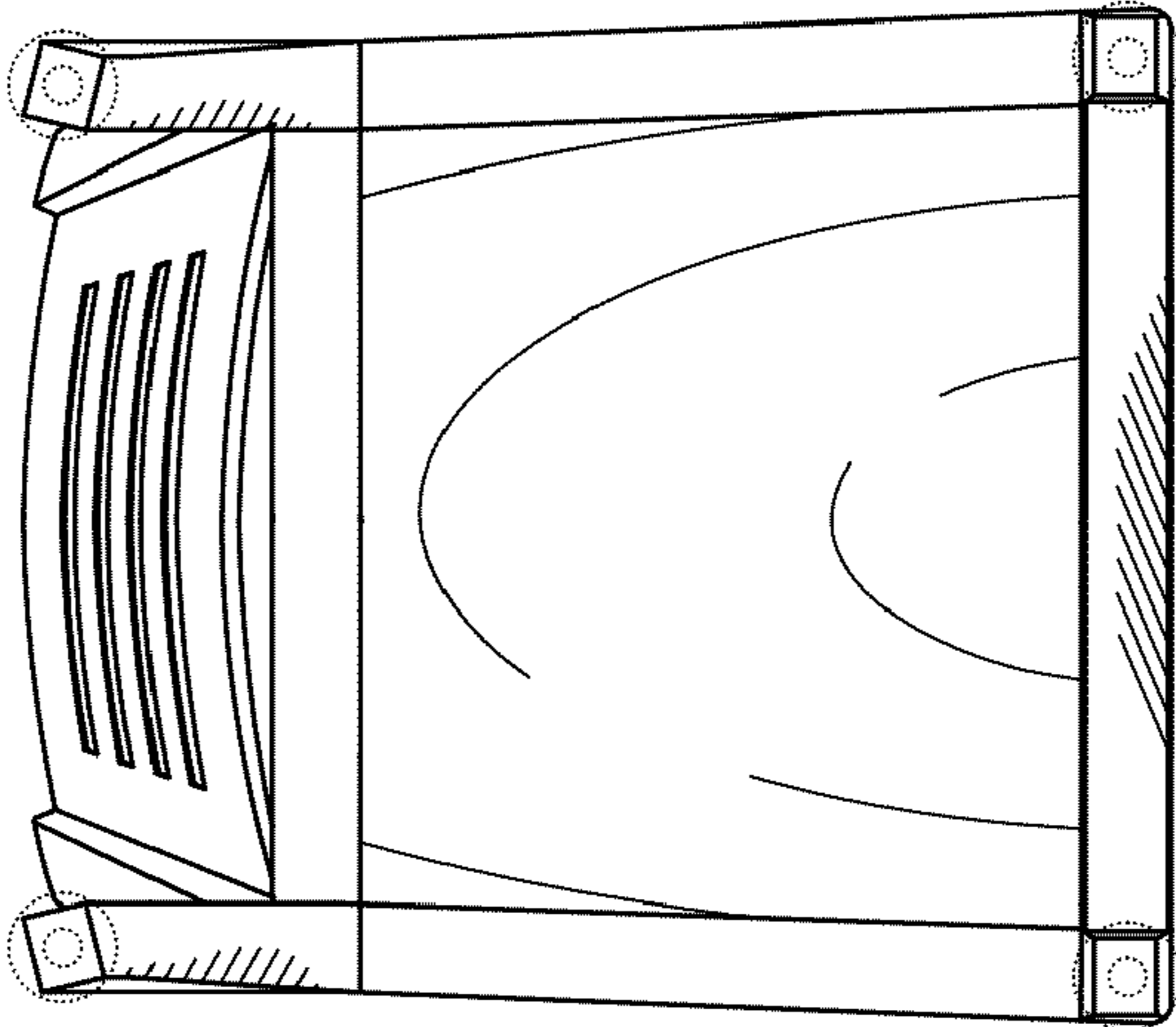


Fig. 5

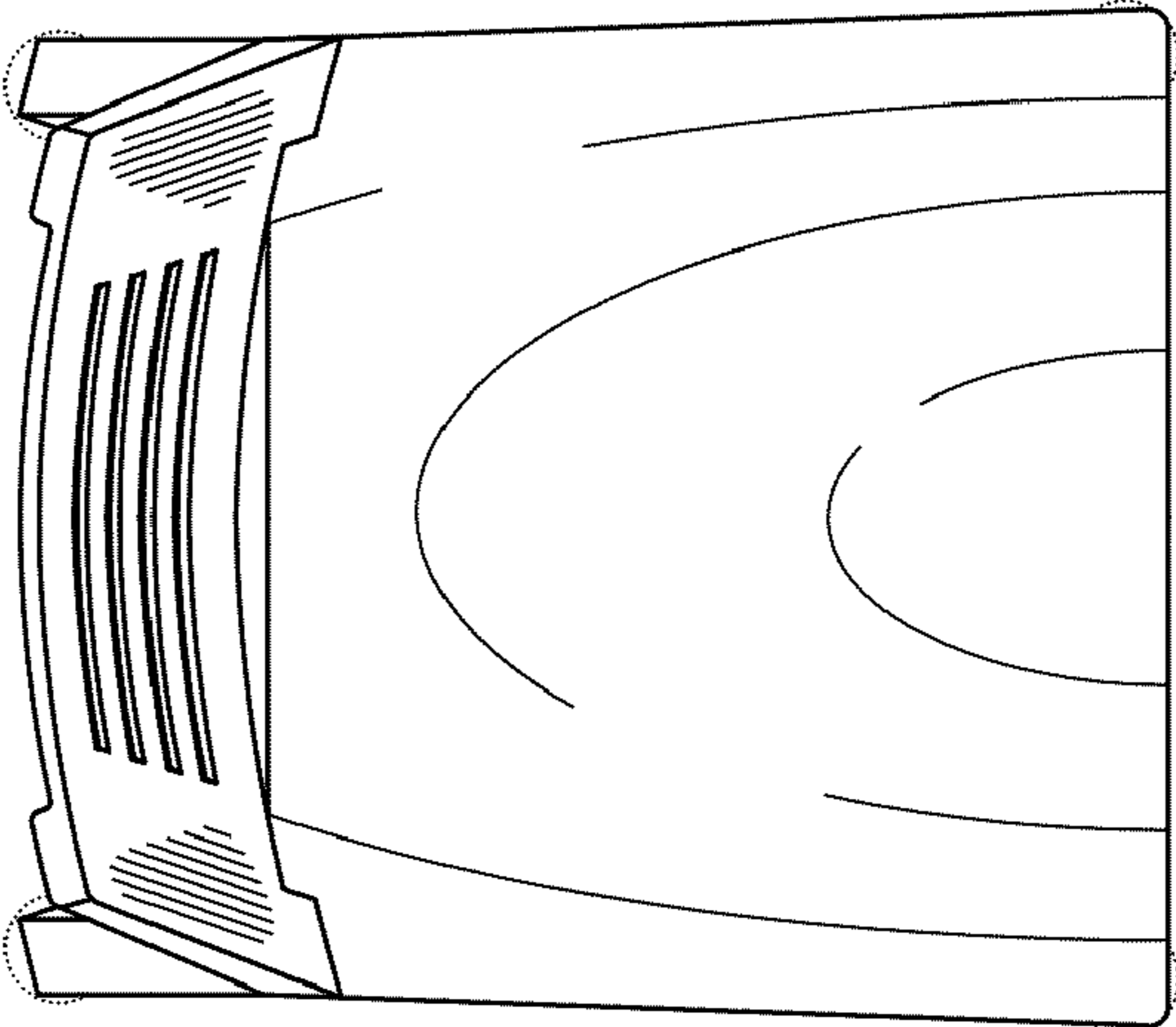


Fig. 6