



US00D655102S

(12) **United States Design Patent**  
**Yetman et al.**

(10) **Patent No.:** **US D655,102 S**  
(45) **Date of Patent:** **\*\* Mar. 6, 2012**

(54) **CHAIR**

(75) Inventors: **Todd Anthony Yetman**, Richmond Hill (CA); **Gary Neil**, Mississauga (CA)

(73) Assignee: **Allseating Corporation**, Mississauga (CA)

(\*\*) Term: **14 Years**

(21) Appl. No.: **29/392,264**

(22) Filed: **May 19, 2011**

(51) **LOC (9) Cl.** ..... **06-01**

(52) **U.S. Cl.** ..... **D6/373**

(58) **Field of Classification Search** ..... D6/334-336,  
D6/371, 372, 373, 374, 375, 376, 379, 380,  
D6/500-502; 297/445.1, 446.1, 447.1, 447.3,  
297/447.4, 448.1, 448.2, 451.3, 452.18, 452.29  
See application file for complete search history.

(56) **References Cited**

U.S. PATENT DOCUMENTS

D202,775 S \* 11/1965 Rowland ..... D6/373  
3,404,916 A \* 10/1968 Rowland ..... 297/447.3

D314,285 S \* 2/1991 Favaretto ..... D6/373  
D396,760 S \* 8/1998 Leib ..... D6/373  
D433,578 S \* 11/2000 Saul ..... D6/373  
D516,830 S \* 3/2006 Leist et al. .... D6/373  
D609,488 S \* 2/2010 Kumazawa ..... D6/373  
D620,273 S \* 7/2010 Brooks ..... D6/373

\* cited by examiner

*Primary Examiner* — Mimoso De

(74) *Attorney, Agent, or Firm* — Norton Rose Canada LLP

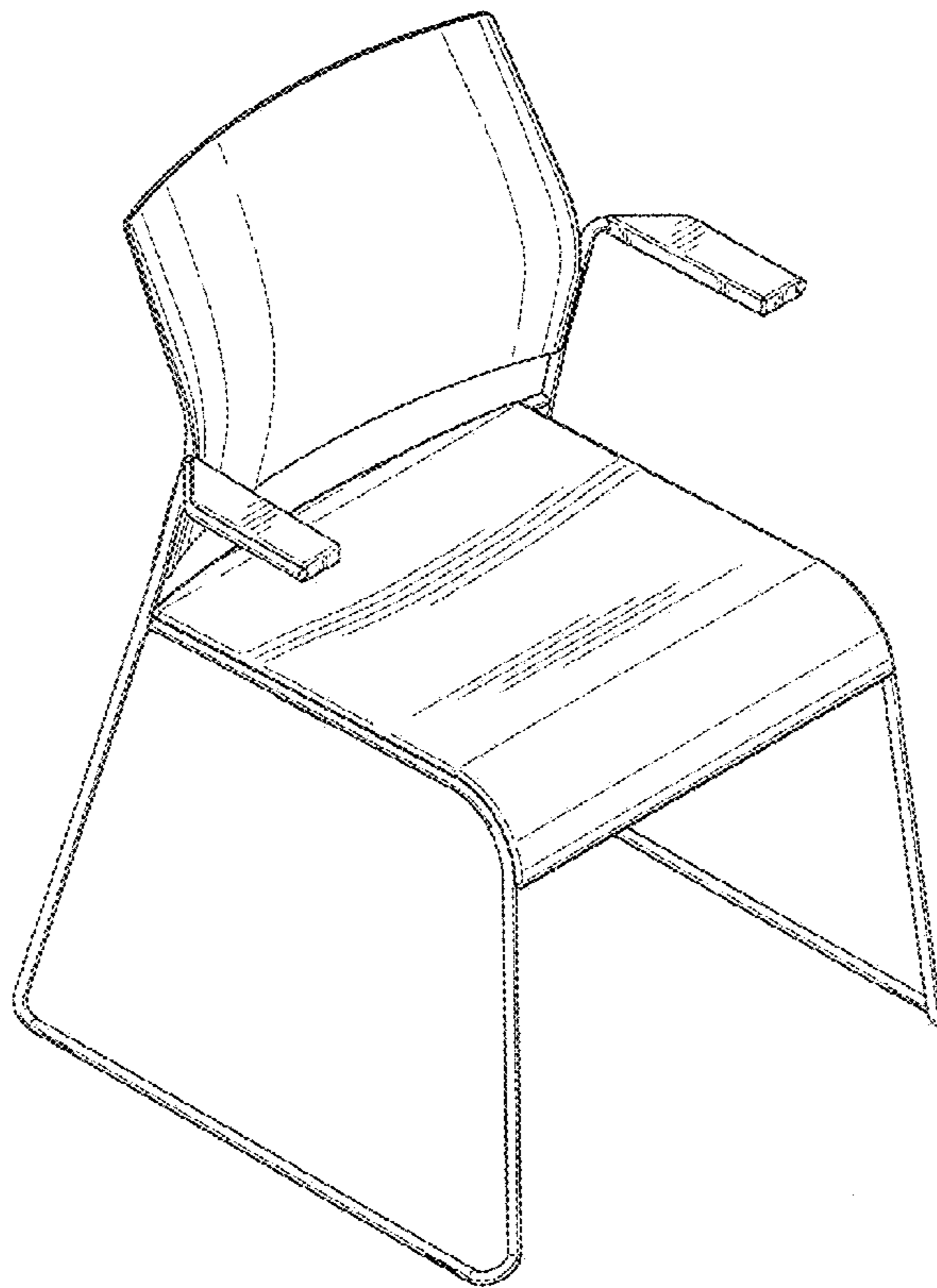
(57) **CLAIM**

The ornamental design for a chair, as shown and described.

**DESCRIPTION**

FIG. 1 is a front perspective view of the chair.  
FIG. 2 is a back perspective view of the chair.  
FIG. 3 is a right side view of the chair.  
FIG. 4 is a front view of the chair.  
FIG. 5 is a left side view of the chair.  
FIG. 6 is a back view of the chair.  
FIG. 7 is a top plan view of the chair; and,  
FIG. 8 is a bottom plan view of the chair.

**1 Claim, 5 Drawing Sheets**



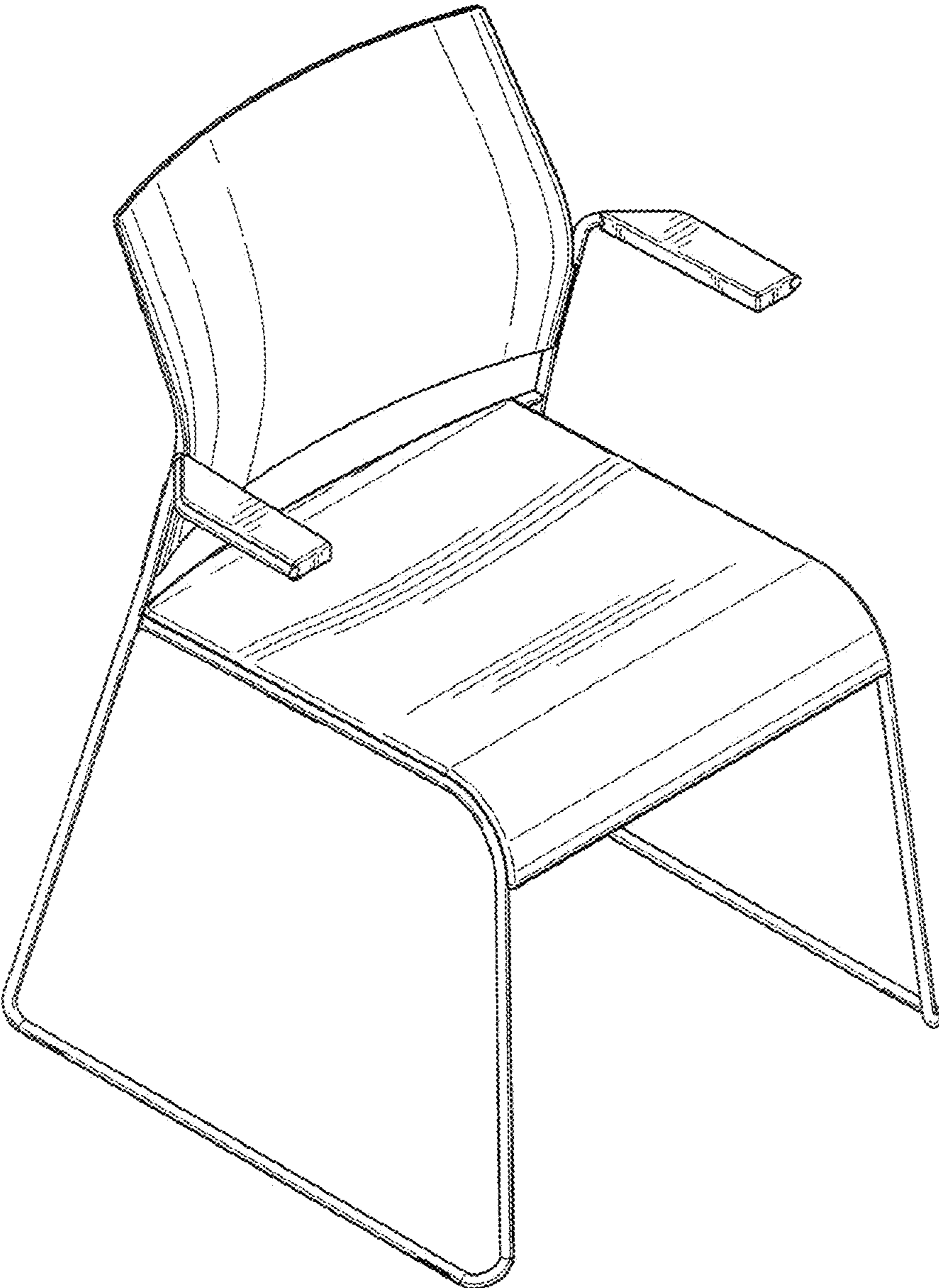


FIG. 1

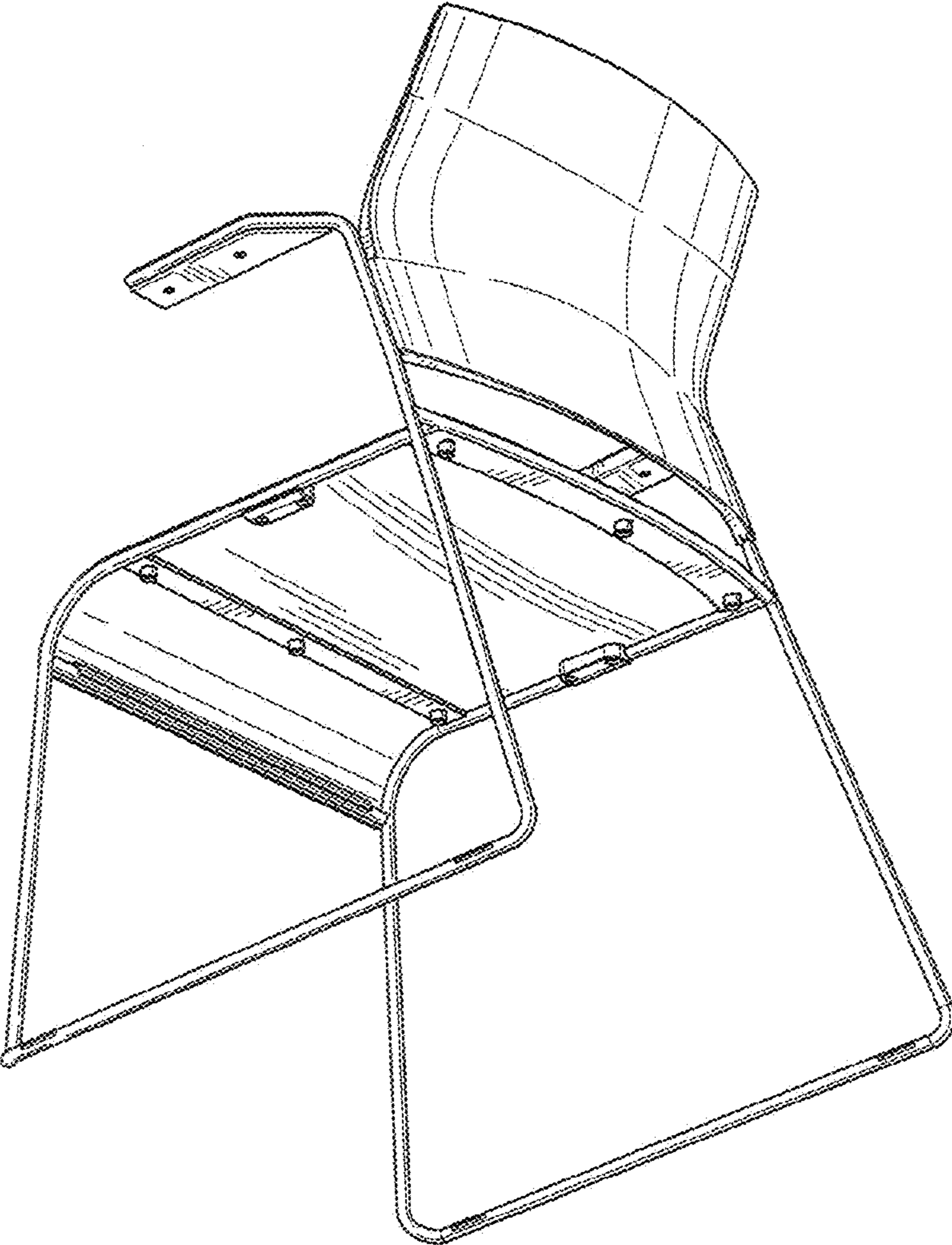


FIG. 2

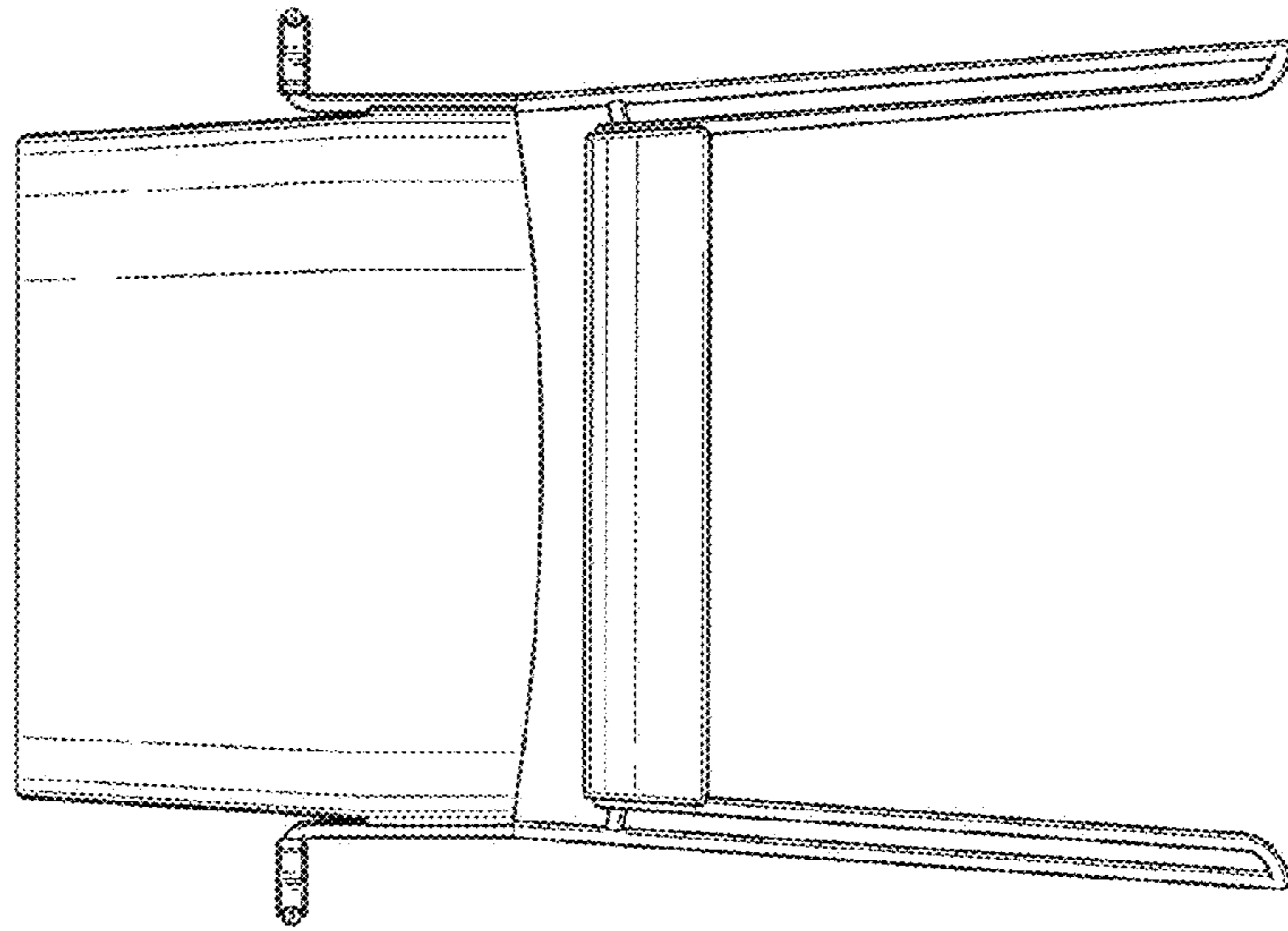


FIG. 4

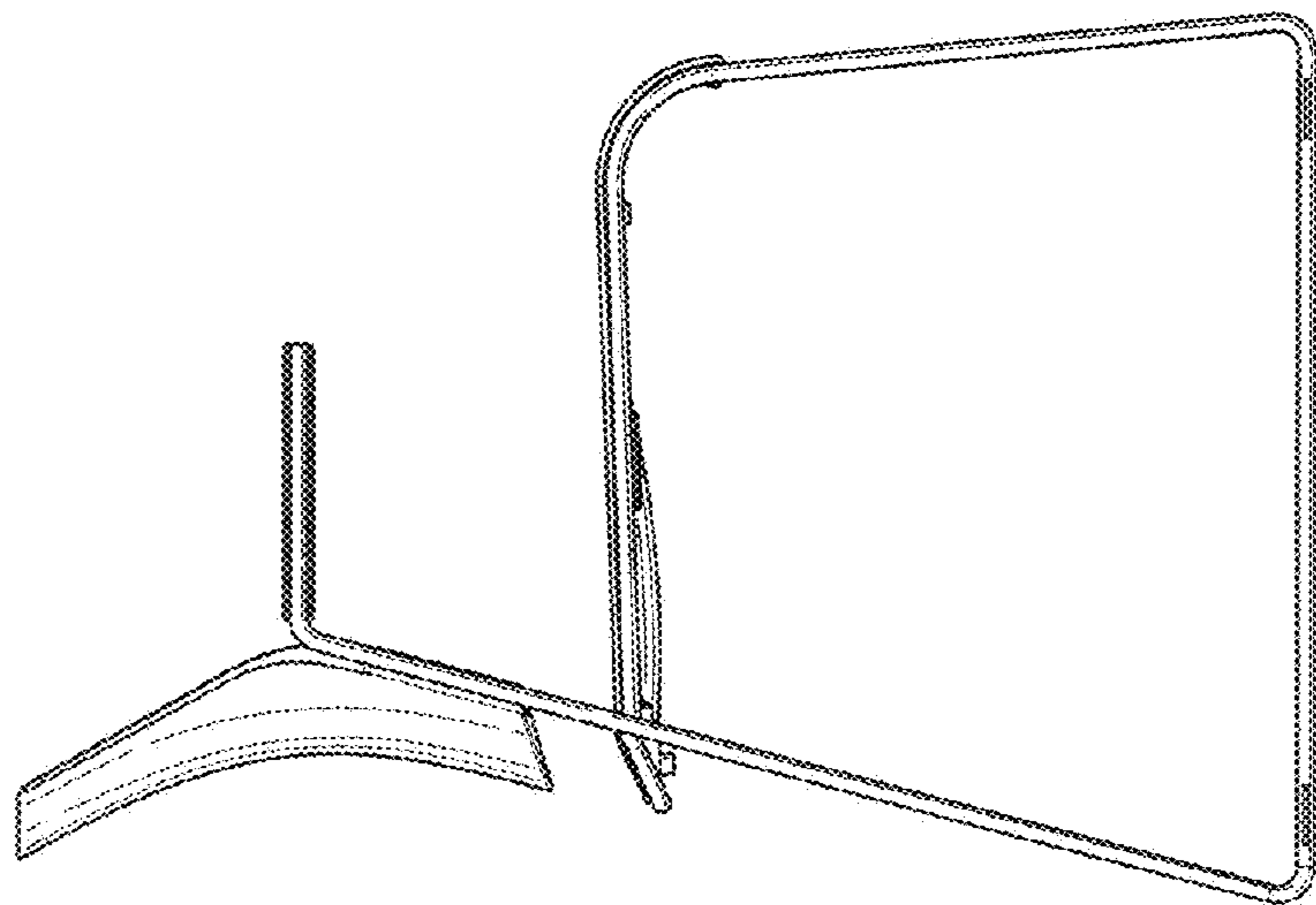


FIG. 3

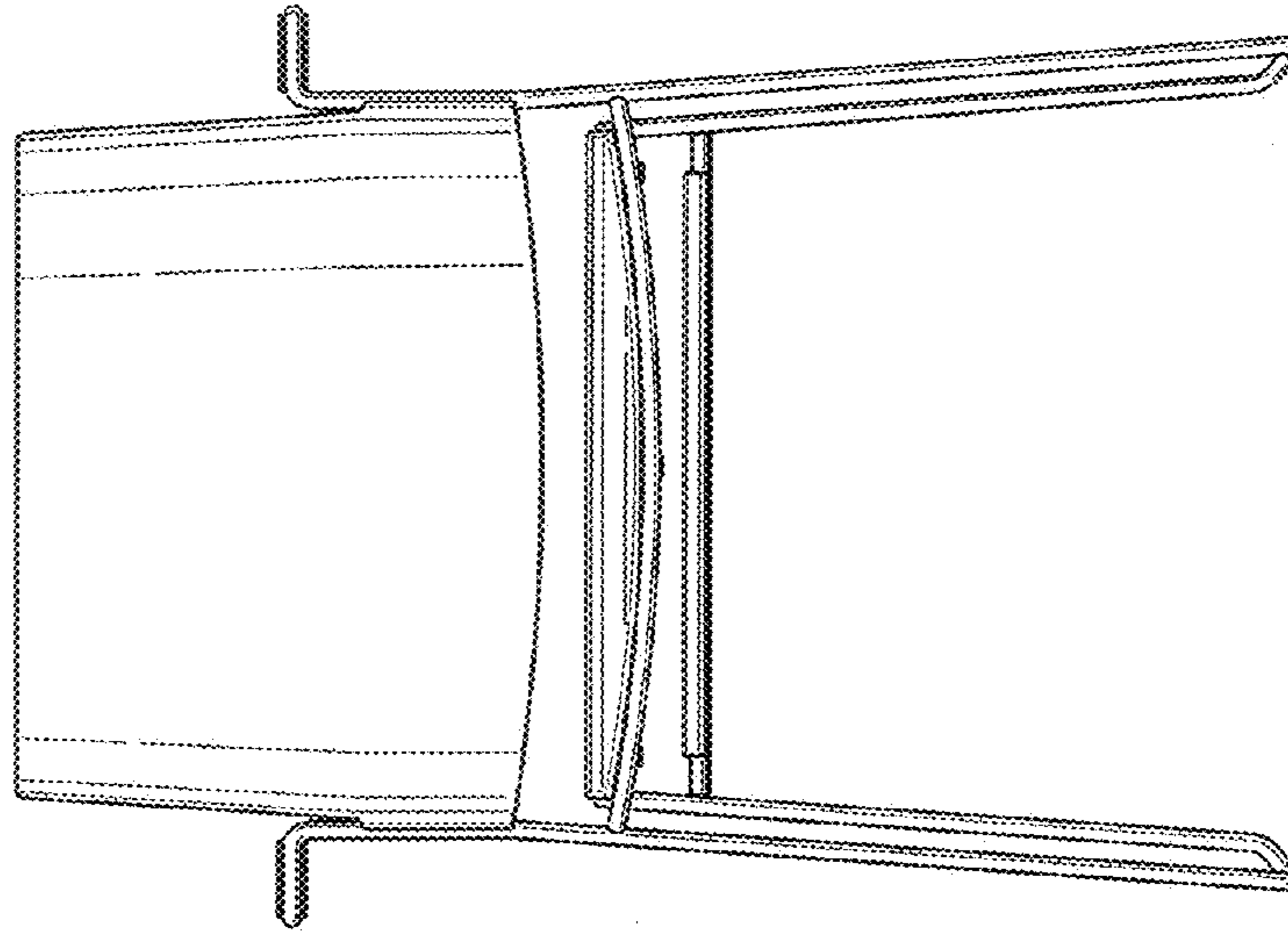


FIG. 6

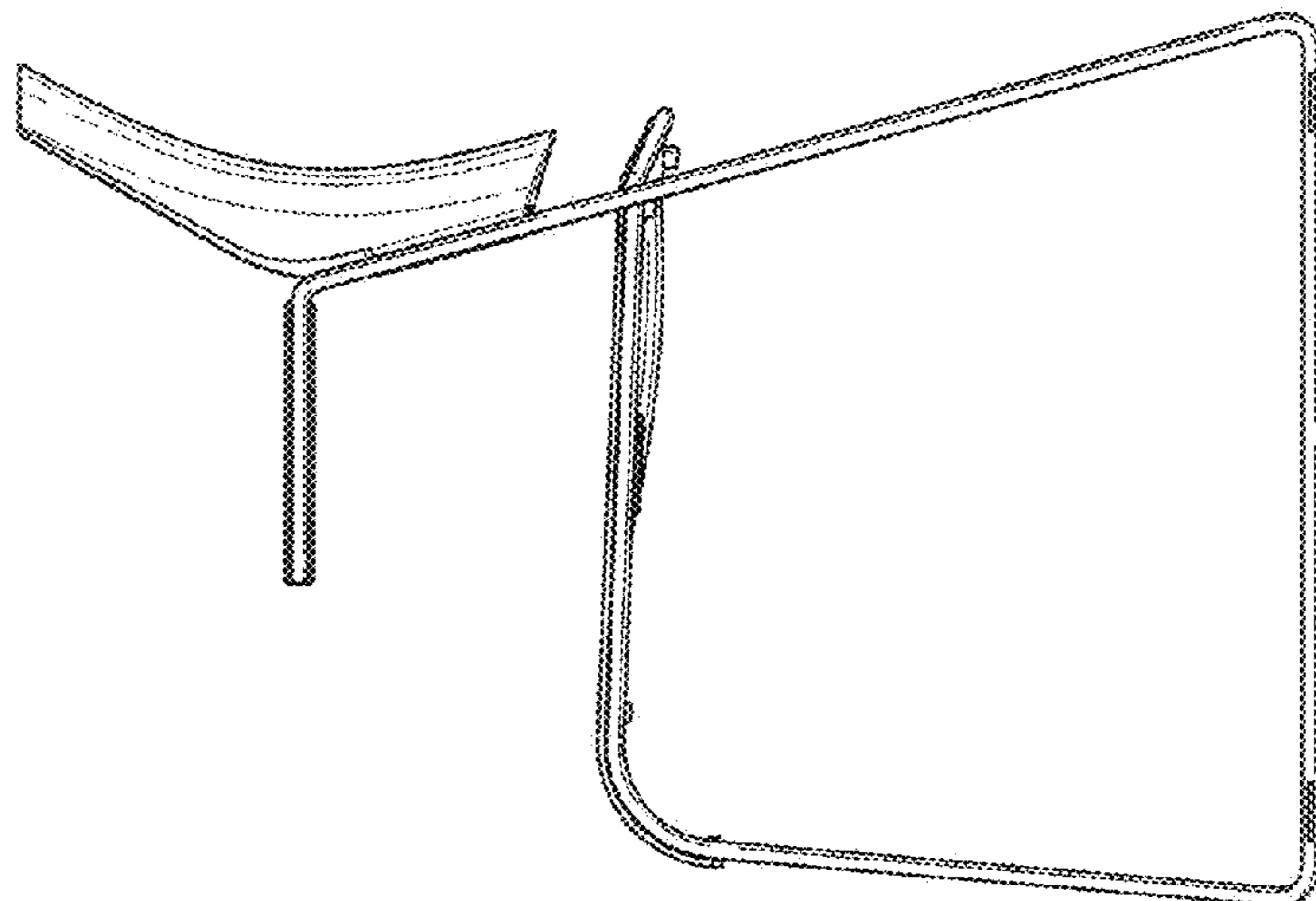


FIG. 5

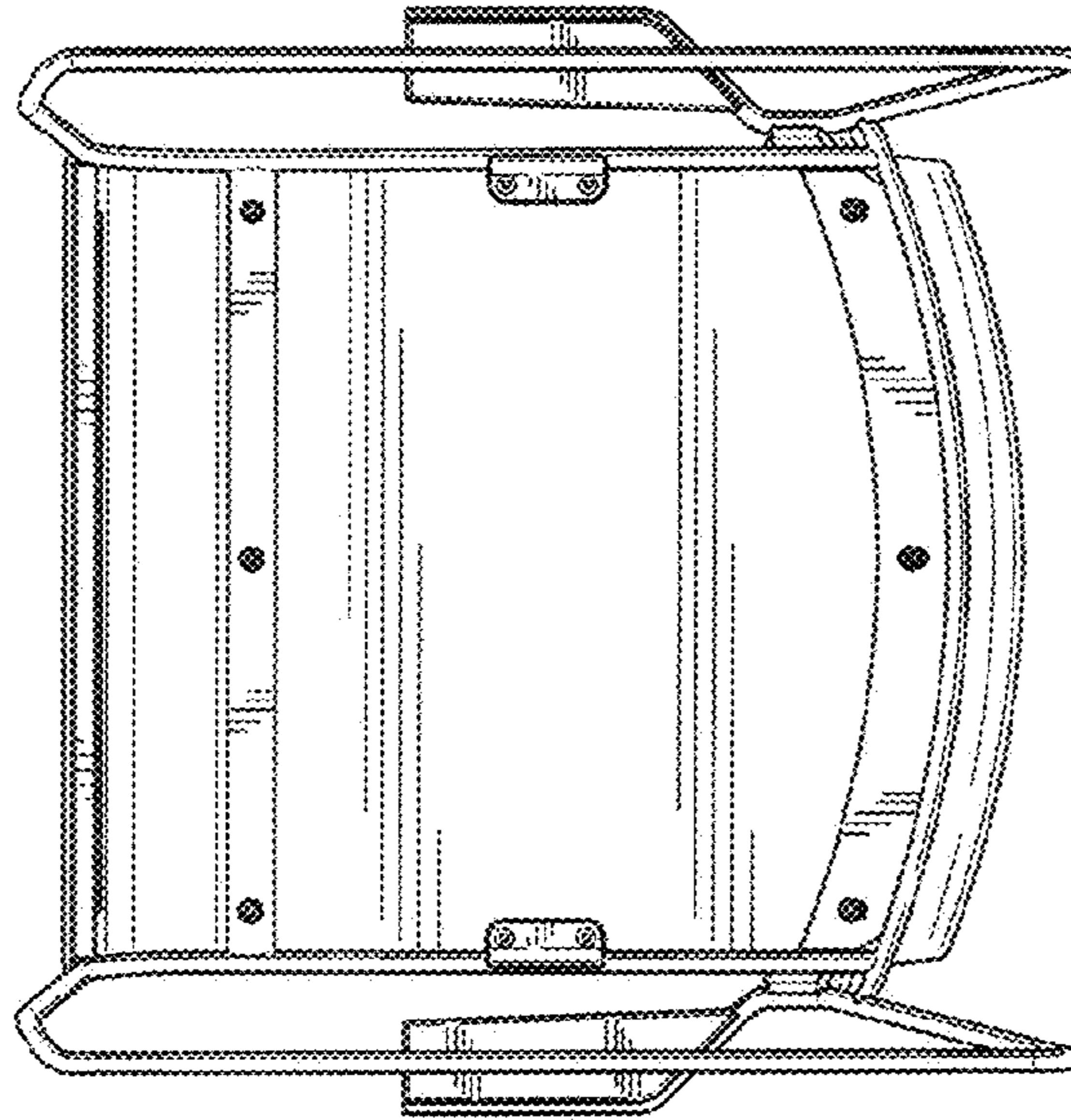


FIG. 8

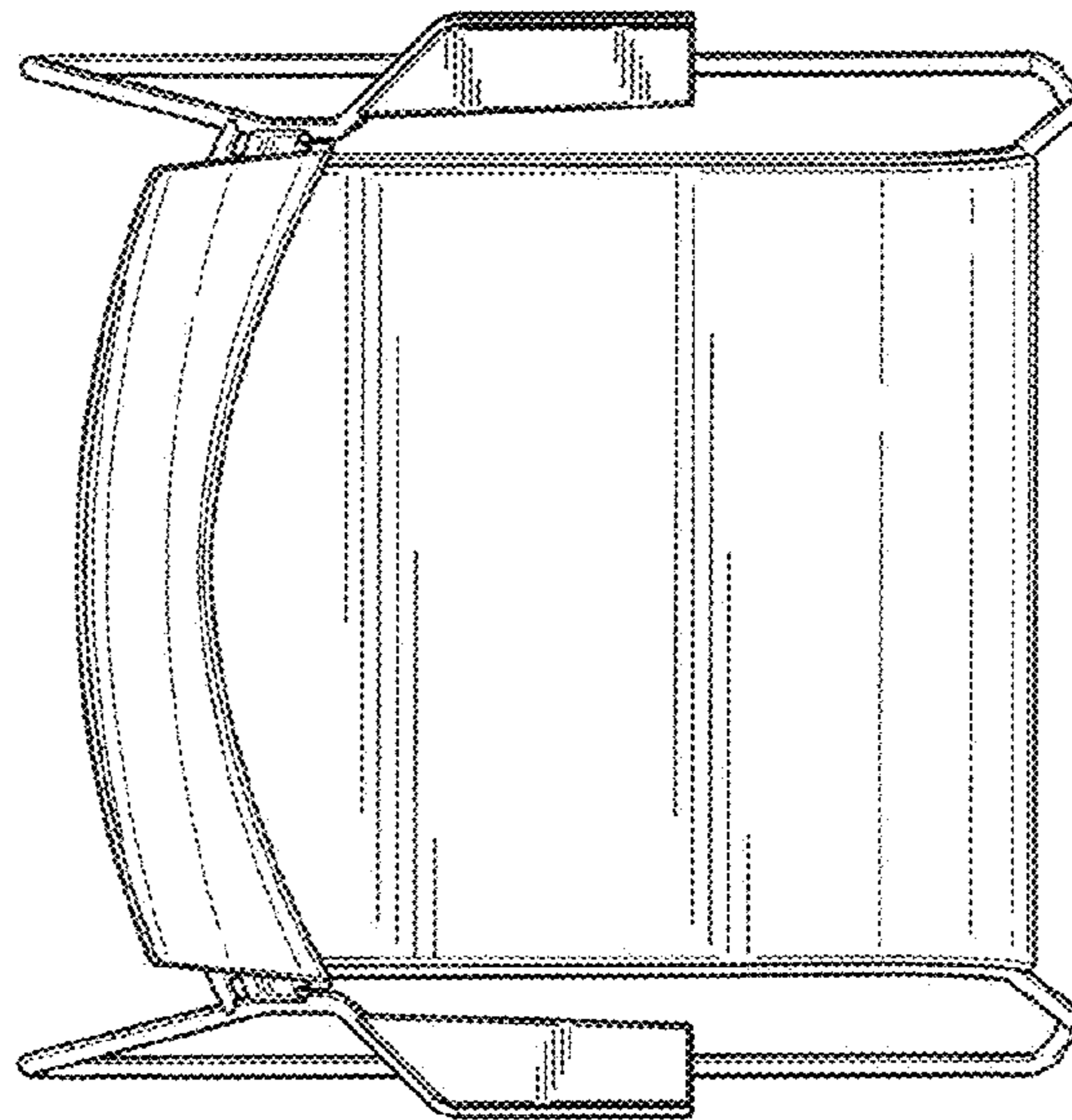


FIG. 7