



US00D655095S

(12) **United States Design Patent**
Chiu

(10) **Patent No.:** **US D655,095 S**
(45) **Date of Patent:** **** Mar. 6, 2012**

- (54) **DISPLAY**
- (75) Inventor: **Yi-Chung Chiu**, Taoyuan County (TW)
- (73) Assignee: **Hannspree, Inc.**, New Taipei (TW)
- (**) Term: **14 Years**
- (21) Appl. No.: **29/400,774**
- (22) Filed: **Sep. 1, 2011**
- (51) **LOC (9) Cl.** **06-07**
- (52) **U.S. Cl.** **D6/308; D14/371**
- (58) **Field of Classification Search** D6/300,
D6/308, 304, 310, 303; D14/372, 448, 449,
D14/450, 141.2, 126, 375; 24/103; D11/133,
D11/140, 134; 40/700, 1.5, 124.5, 714, 721,
40/768; D20/15
See application file for complete search history.

- D558,159 S * 12/2007 Solland D14/126
- D561,713 S * 2/2008 Chu D14/126
- D630,633 S * 1/2011 Chiu D14/371
- D646,332 S * 10/2011 Yi et al. D20/15
- D649,364 S * 11/2011 Chiu D6/308

* cited by examiner

Primary Examiner — Philip S Hyder
Assistant Examiner — Sydney Buffalow
(74) *Attorney, Agent, or Firm* — Ming Chow; Sinorica, LLC

(57) **CLAIM**
The ornamental design for a display, as shown and described.

DESCRIPTION

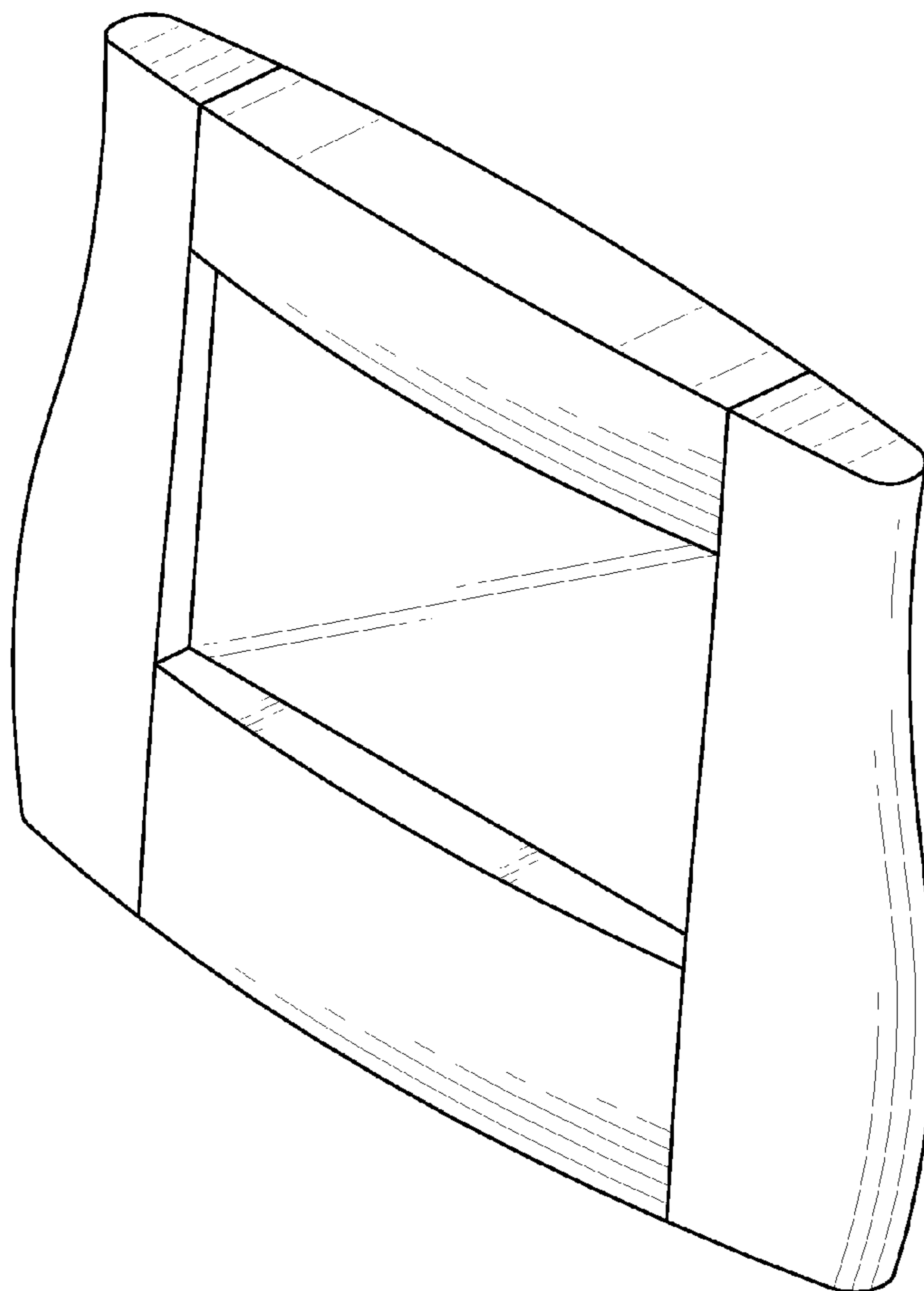
FIG. 1. is a perspective view of a display showing my new design;
FIG. 2. is a front elevational view thereof;
FIG. 3. is a rear elevational view thereof;
FIG. 4. is a left side elevational view thereof;
FIG. 5. is a right side elevational view thereof;
FIG. 6. is a top plan view thereof; and,
FIG. 7. is a bottom plan view thereof.

(56) **References Cited**

U.S. PATENT DOCUMENTS

- D426,200 S * 6/2000 Aeschbacher et al. D14/375
- D543,963 S * 6/2007 Chu D14/126

1 Claim, 7 Drawing Sheets



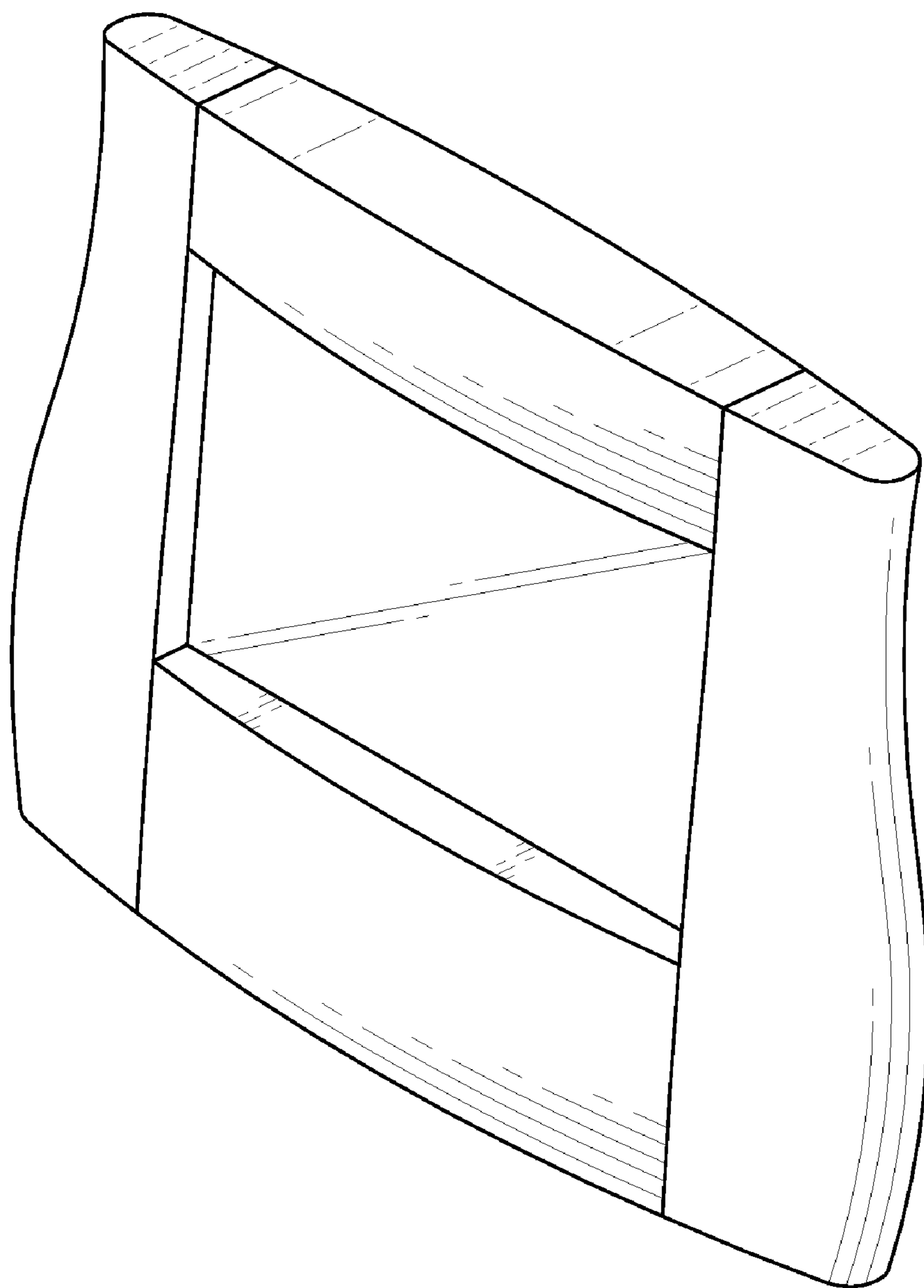


FIG. 1

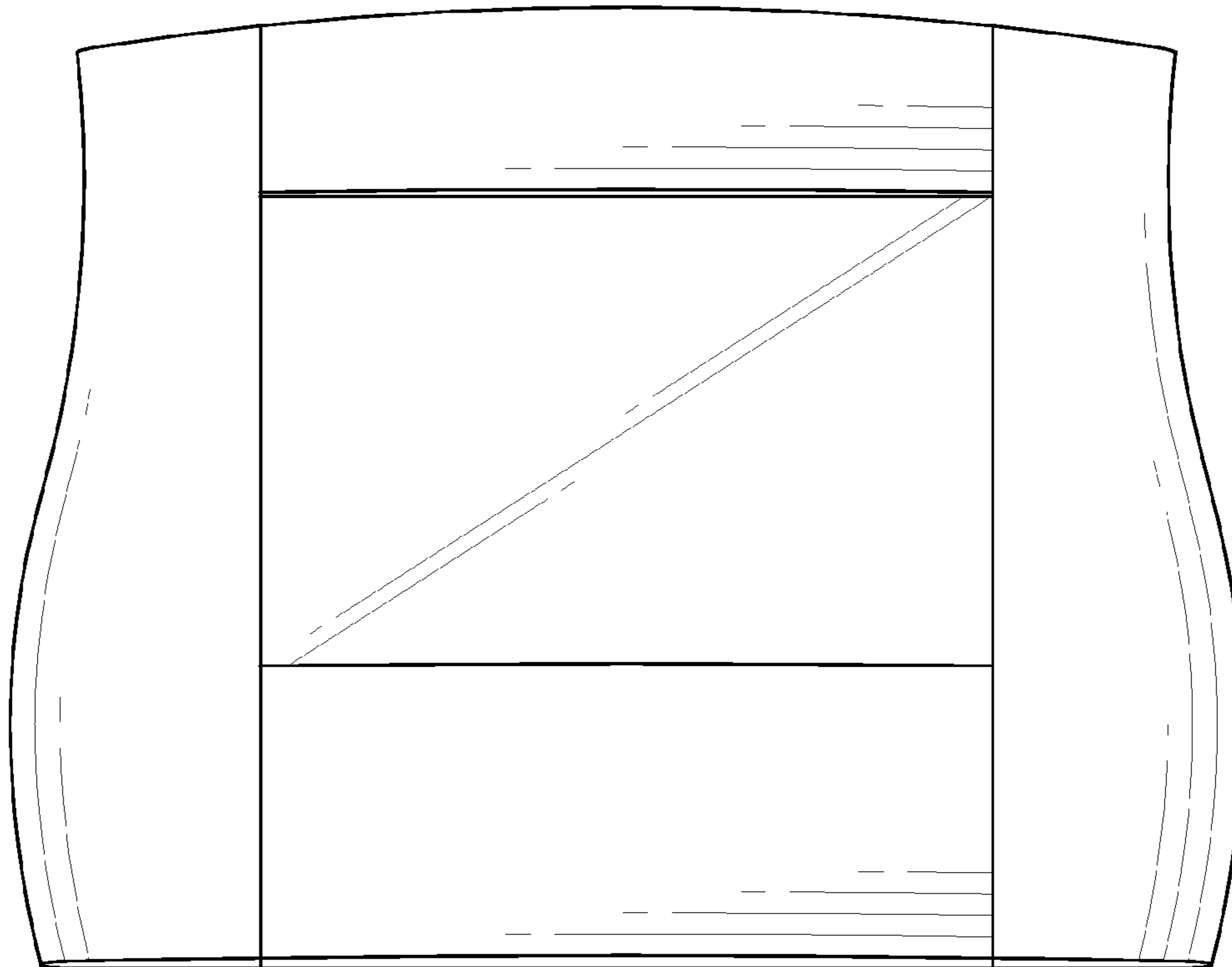


FIG. 2

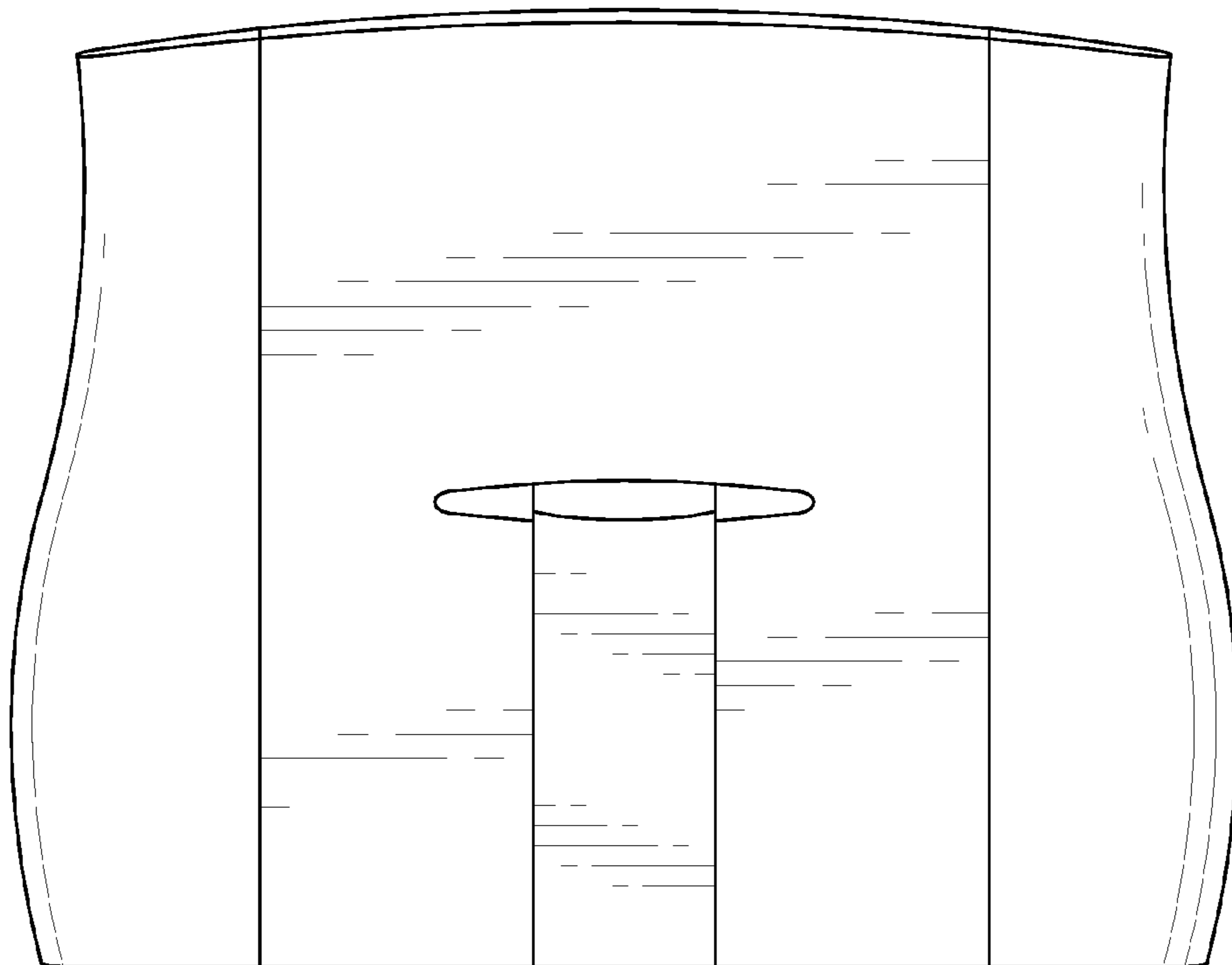


FIG. 3

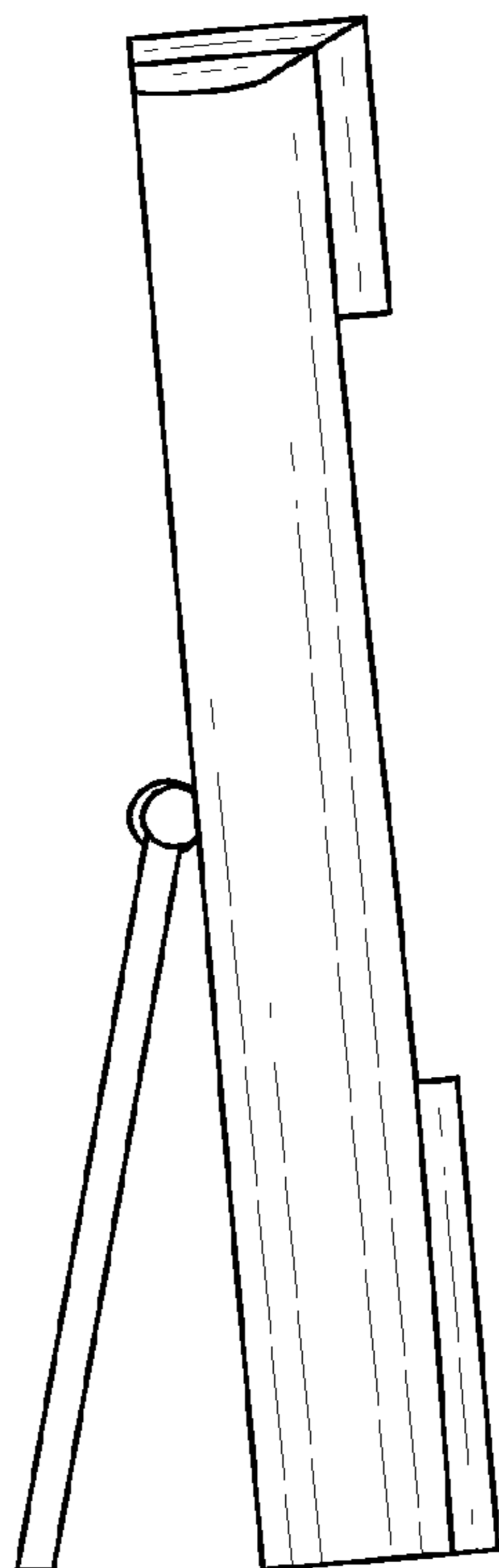


FIG. 4

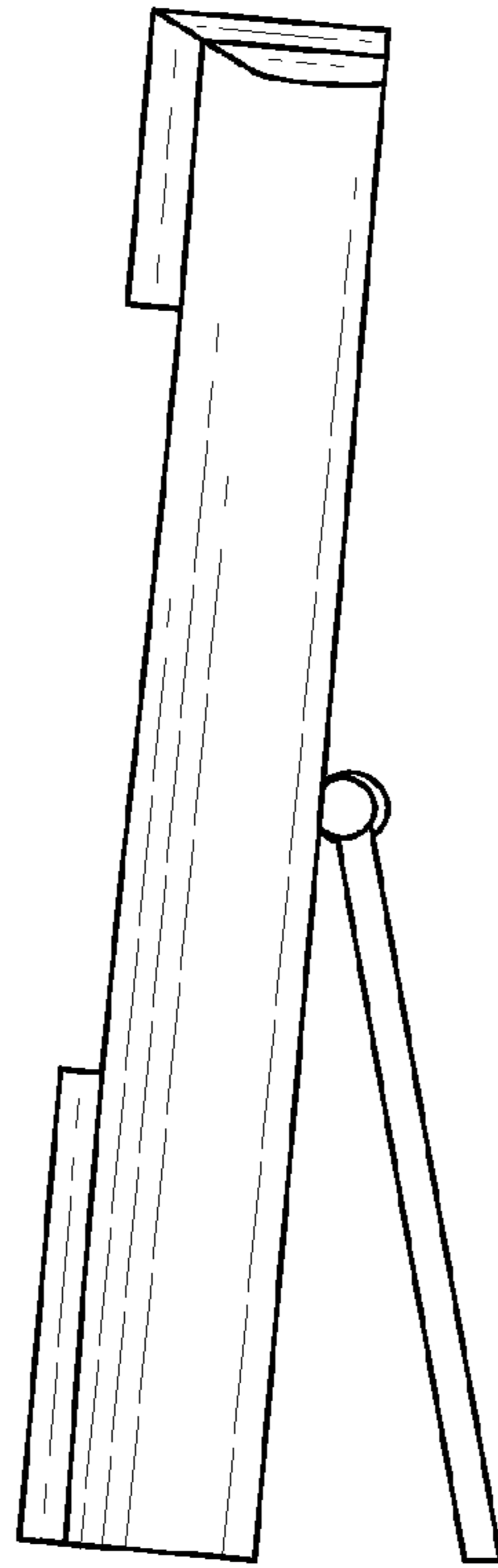


FIG. 5

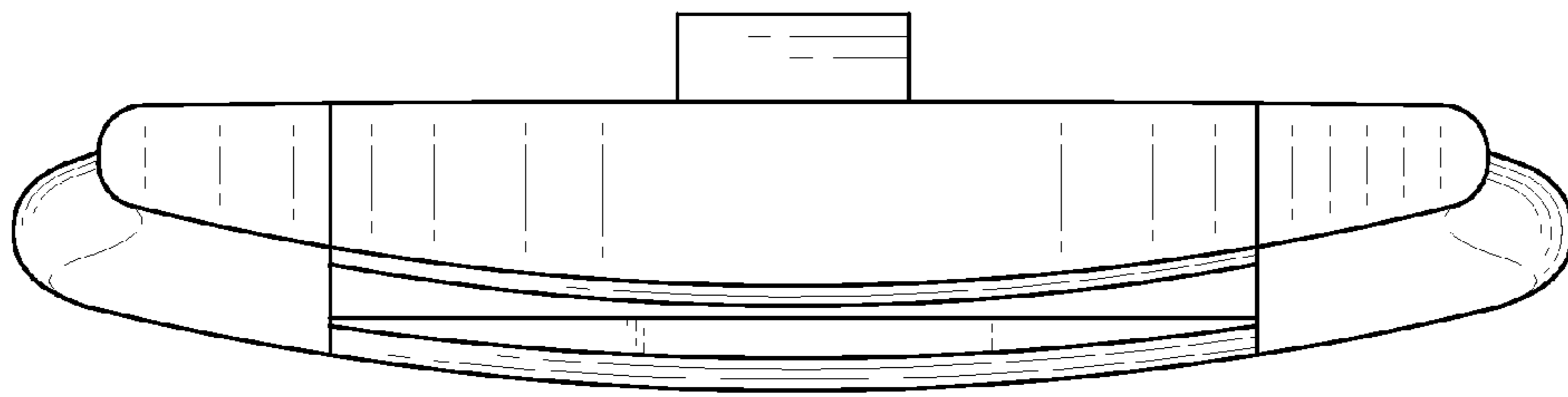


FIG.6

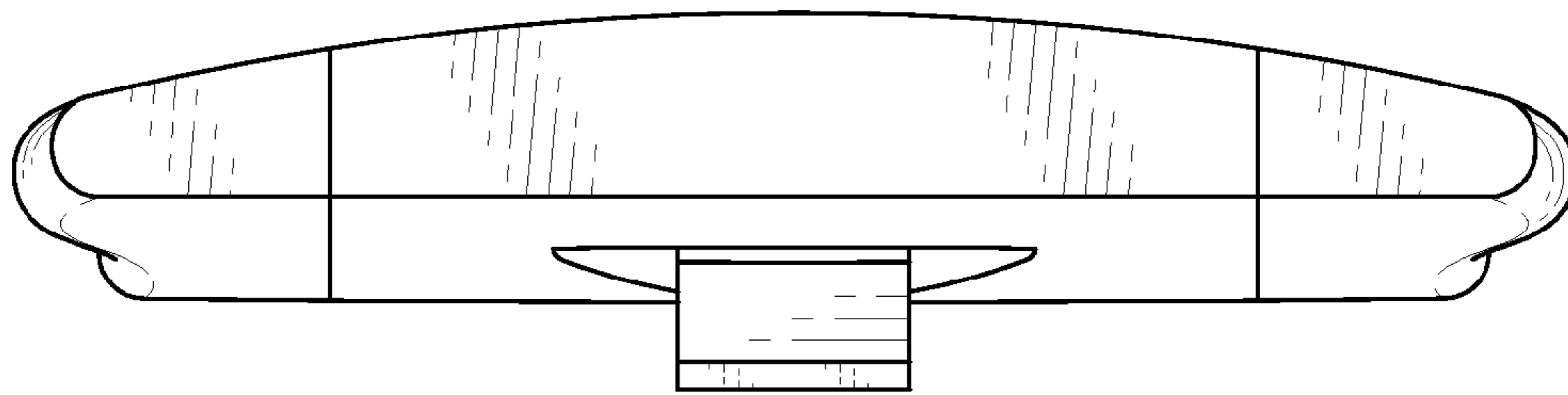


FIG. 7