



US00D655091S

(12) **United States Design Patent**
van der Lande

(10) **Patent No.:** **US D655,091 S**

(45) **Date of Patent:** **** Mar. 6, 2012**

(54) **DOG BONE LINT ROLLER**

(75) Inventor: **Jan van der Lande**, New York, NY (US)

(73) Assignee: **Kikkerland Design, Inc.**, New York, NY (US)

(**) Term: **14 Years**

(21) Appl. No.: **29/404,591**

(22) Filed: **Oct. 21, 2011**

(51) **LOC (9) Cl.** **04-01**

(52) **U.S. Cl.** **D4/122**

(58) **Field of Classification Search** D4/122,
D4/128, 138; 15/27, 104.002, 143.1, 230.11;
16/110.1, 430; 492/13, 14, 17, 19
See application file for complete search history.

(56) **References Cited**

U.S. PATENT DOCUMENTS

D276,763 S	*	12/1984	McKay	D4/122
D467,736 S	*	12/2002	Russell	D4/122
D468,540 S	*	1/2003	Jessen	D4/122
D483,570 S	*	12/2003	Heidel et al.	D4/122
D531,814 S	*	11/2006	Treacy	D4/138
D531,815 S	*	11/2006	Treacy	D4/138

D552,356 S	*	10/2007	Newbould et al.	D4/122
D573,798 S	*	7/2008	Catalfamo et al.	D4/122
D575,065 S	*	8/2008	Benson et al.	D4/122
D606,759 S	*	12/2009	Dotterman et al.	D4/125
D606,760 S	*	12/2009	Dotterman et al.	D4/125
D629,616 S	*	12/2010	Vasilakes	D4/122

* cited by examiner

Primary Examiner — Austin Murphy

(74) *Attorney, Agent, or Firm* — Cascio & Zervas

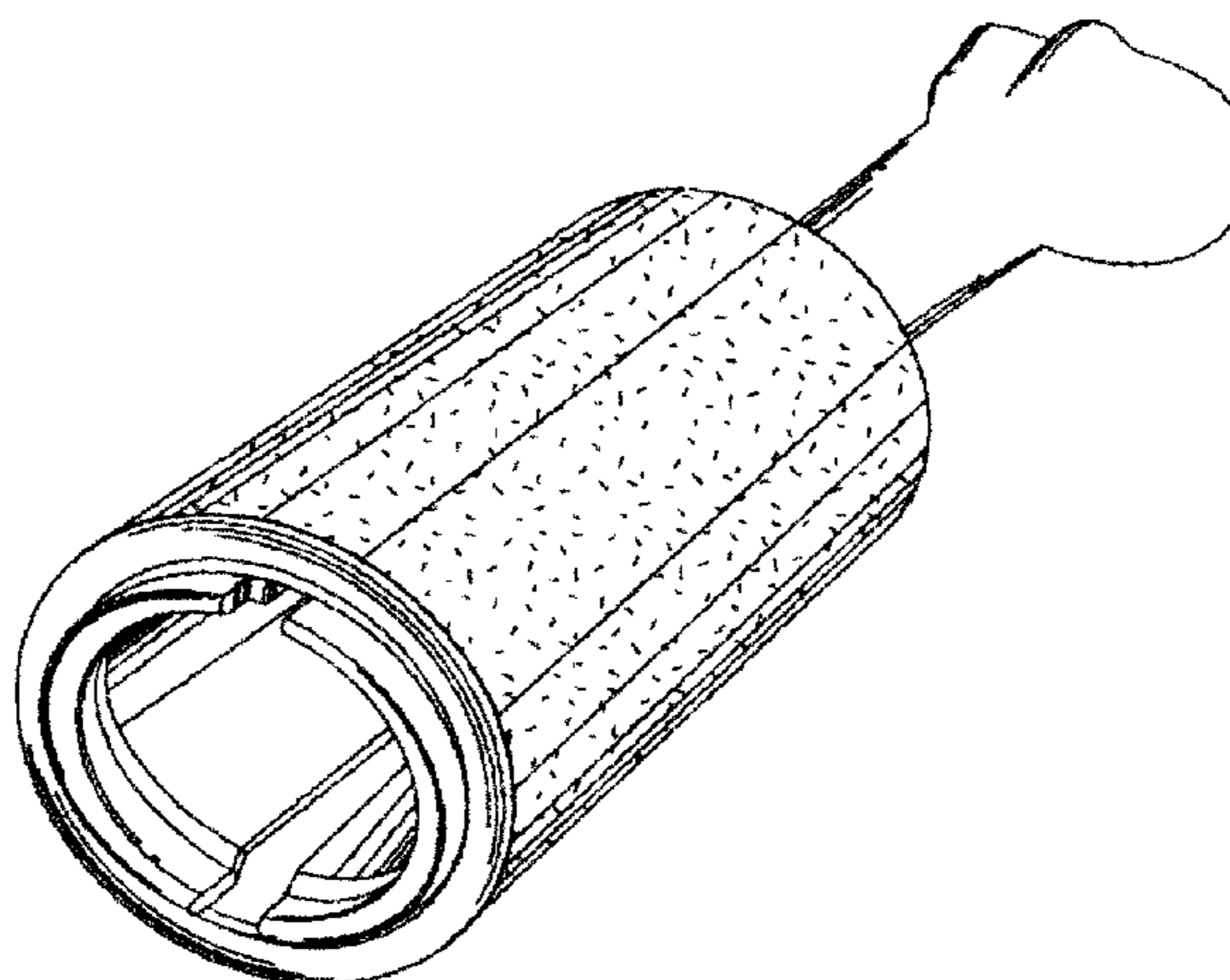
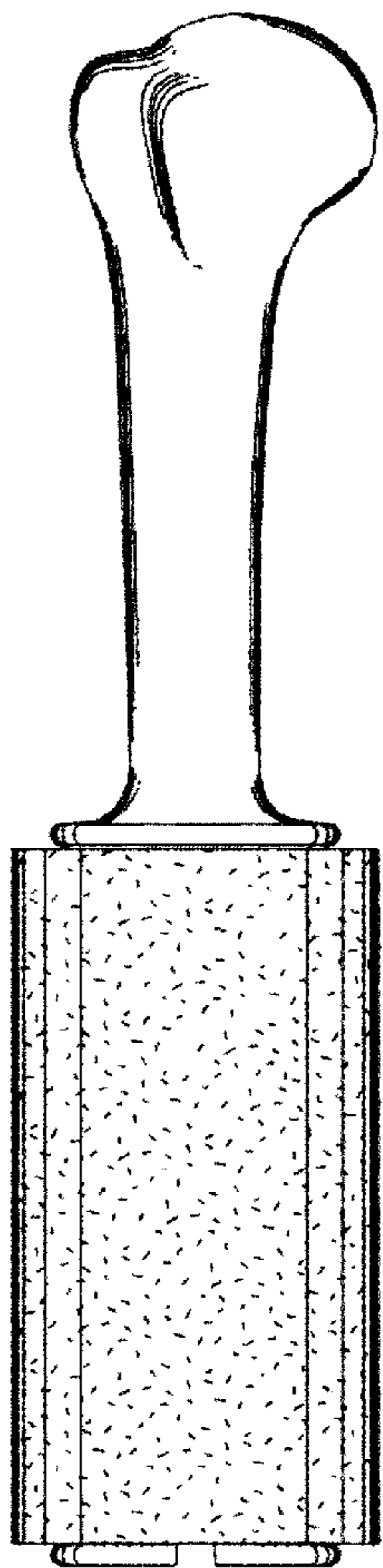
(57) **CLAIM**

The ornamental design for a dog bone lint roller, as shown and described.

DESCRIPTION

FIG. 1 is a front elevational view of the dog bone lint roller showing my design;
FIG. 2 is a rear elevational view thereof;
FIG. 3 is a left side elevational view thereof;
FIG. 4 is a right side elevational view thereof;
FIG. 5 is a top plan view thereof;
FIG. 6 is a bottom plan view thereof; and,
FIG. 7 is a perspective view thereof.

1 Claim, 3 Drawing Sheets



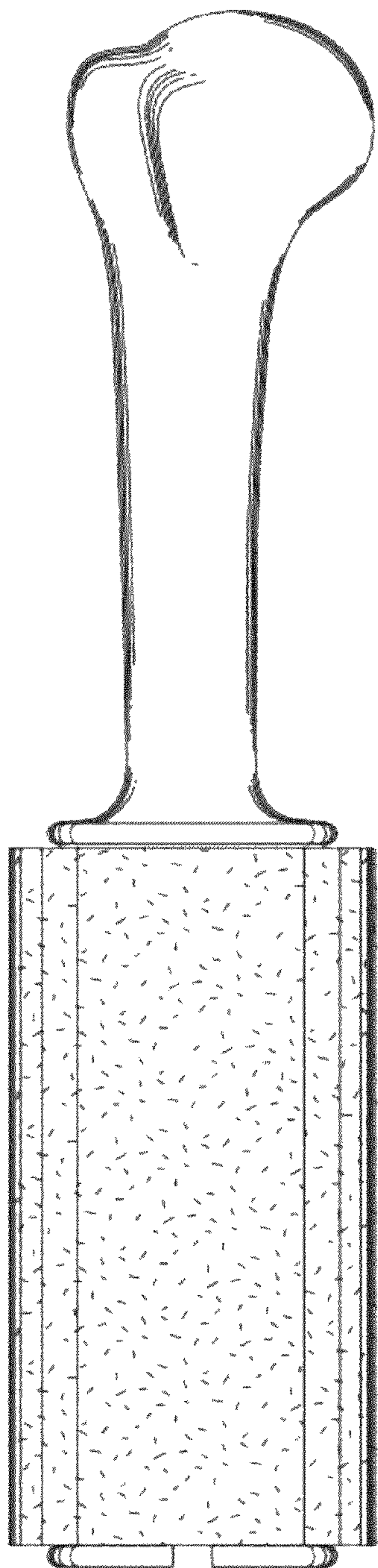


FIG. 1

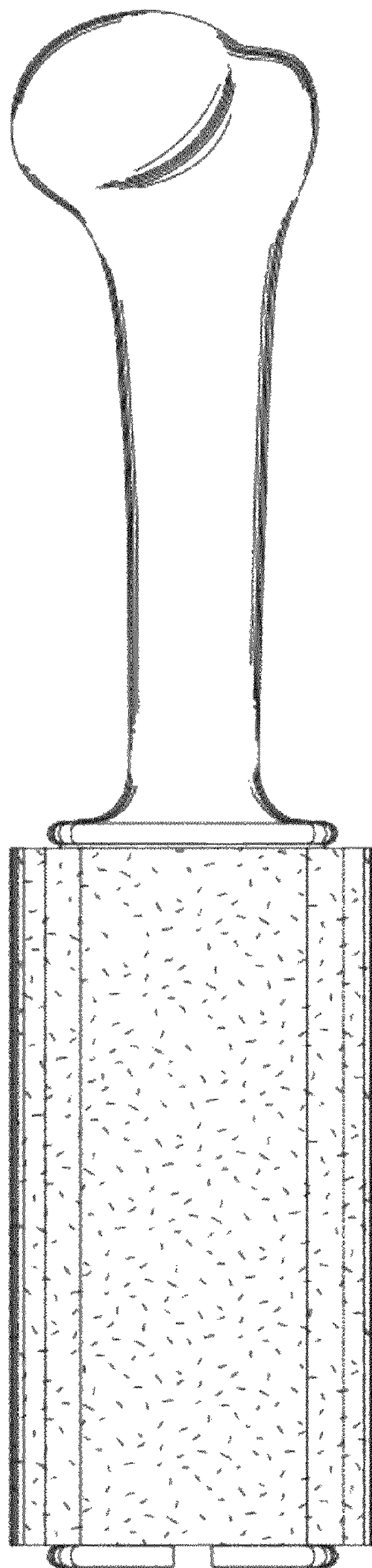


FIG. 2

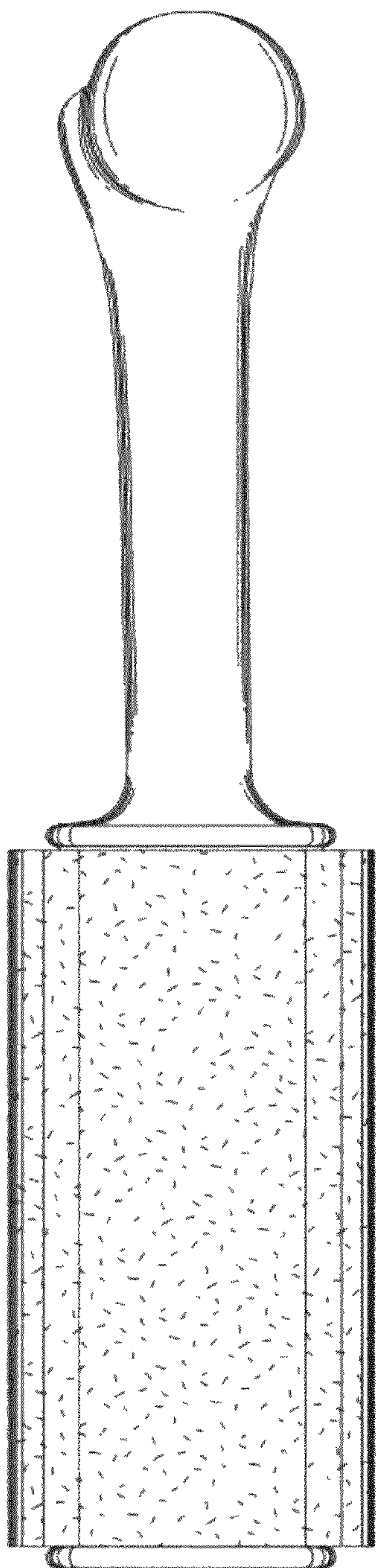


FIG. 3

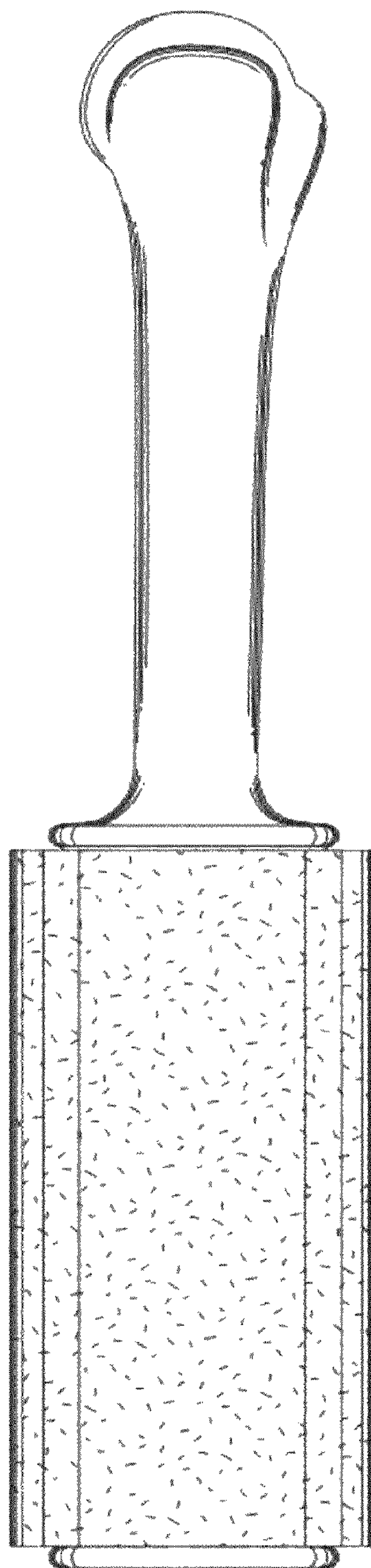


FIG. 4

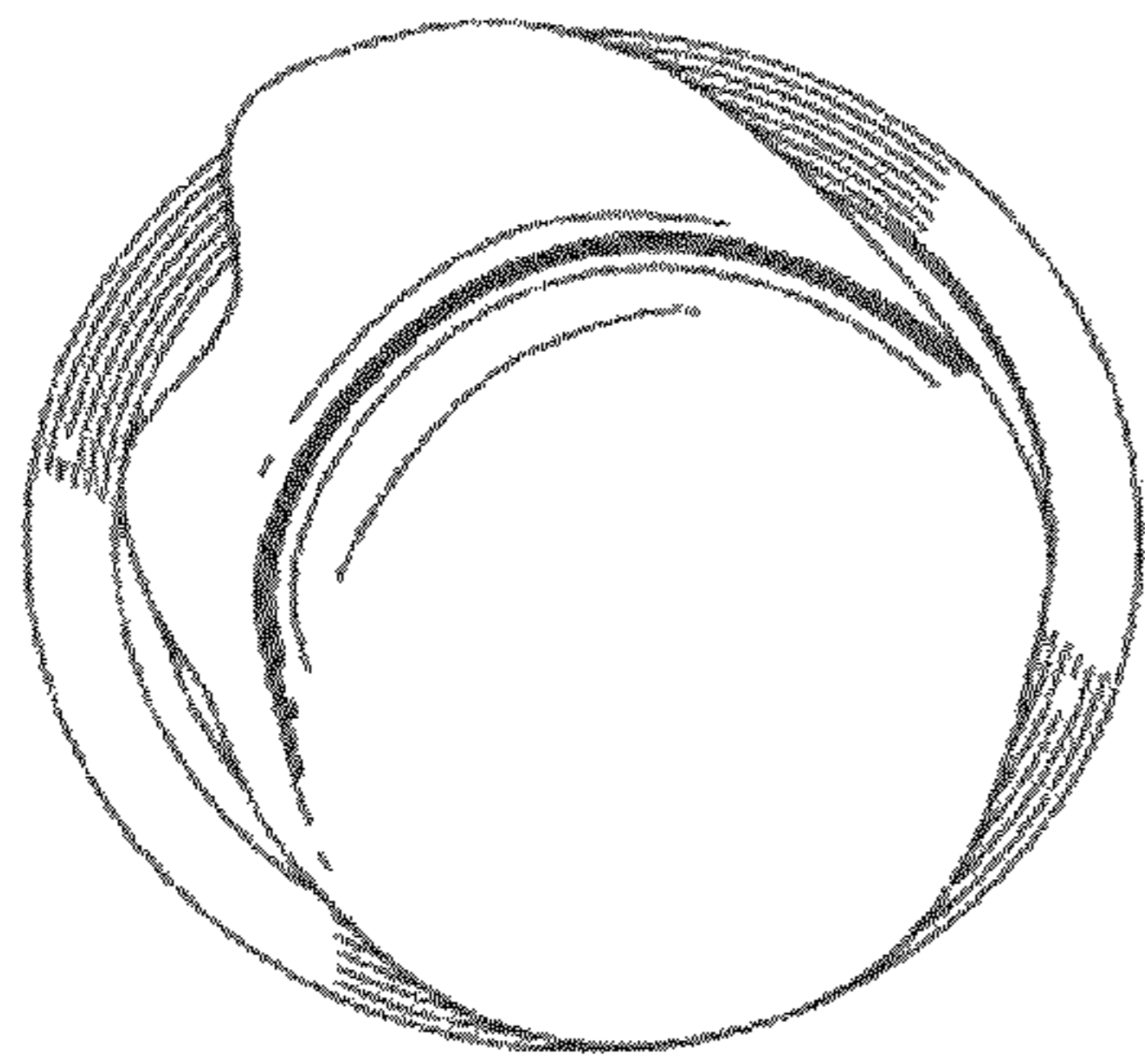


FIG. 5

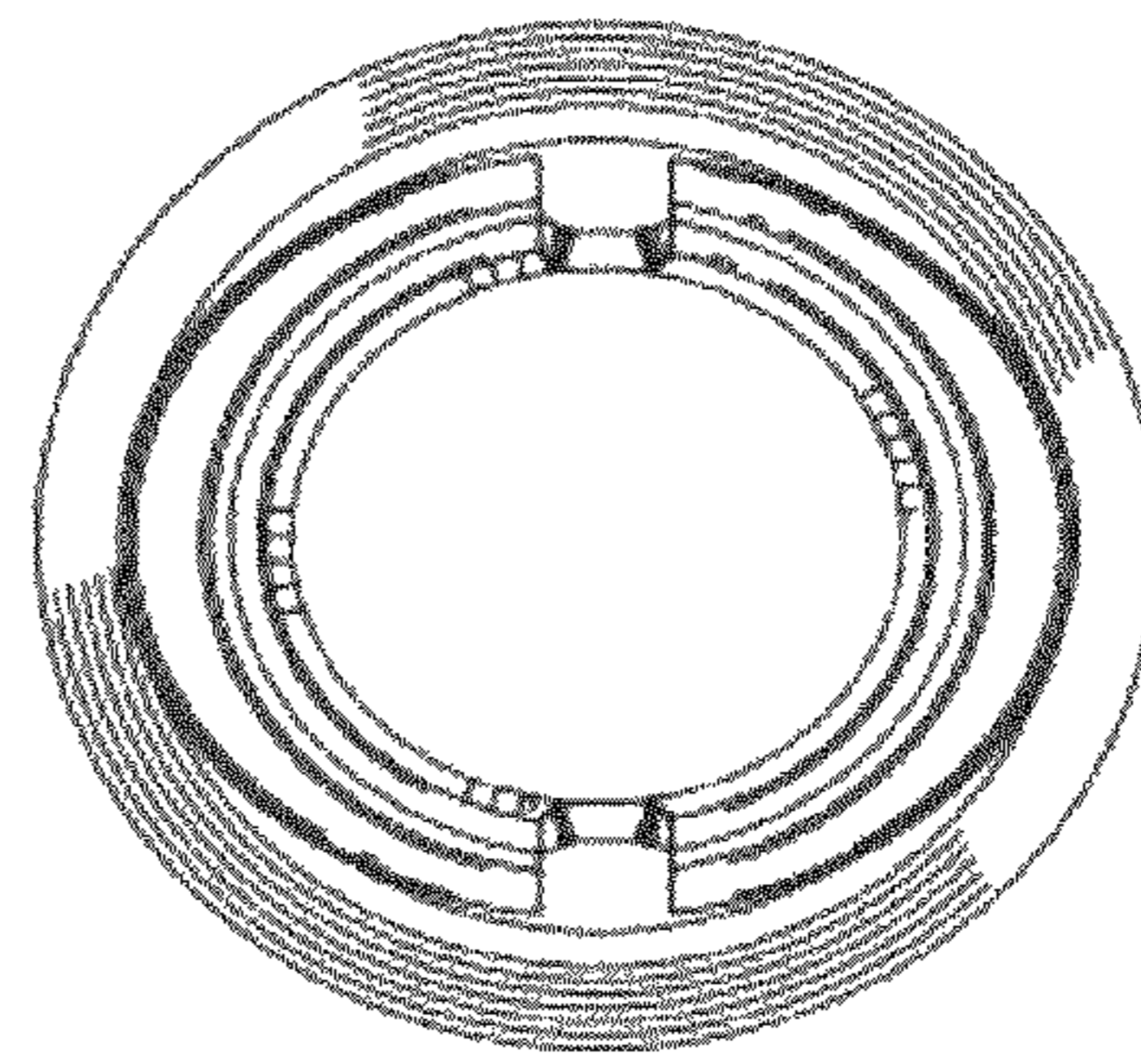


FIG. 6

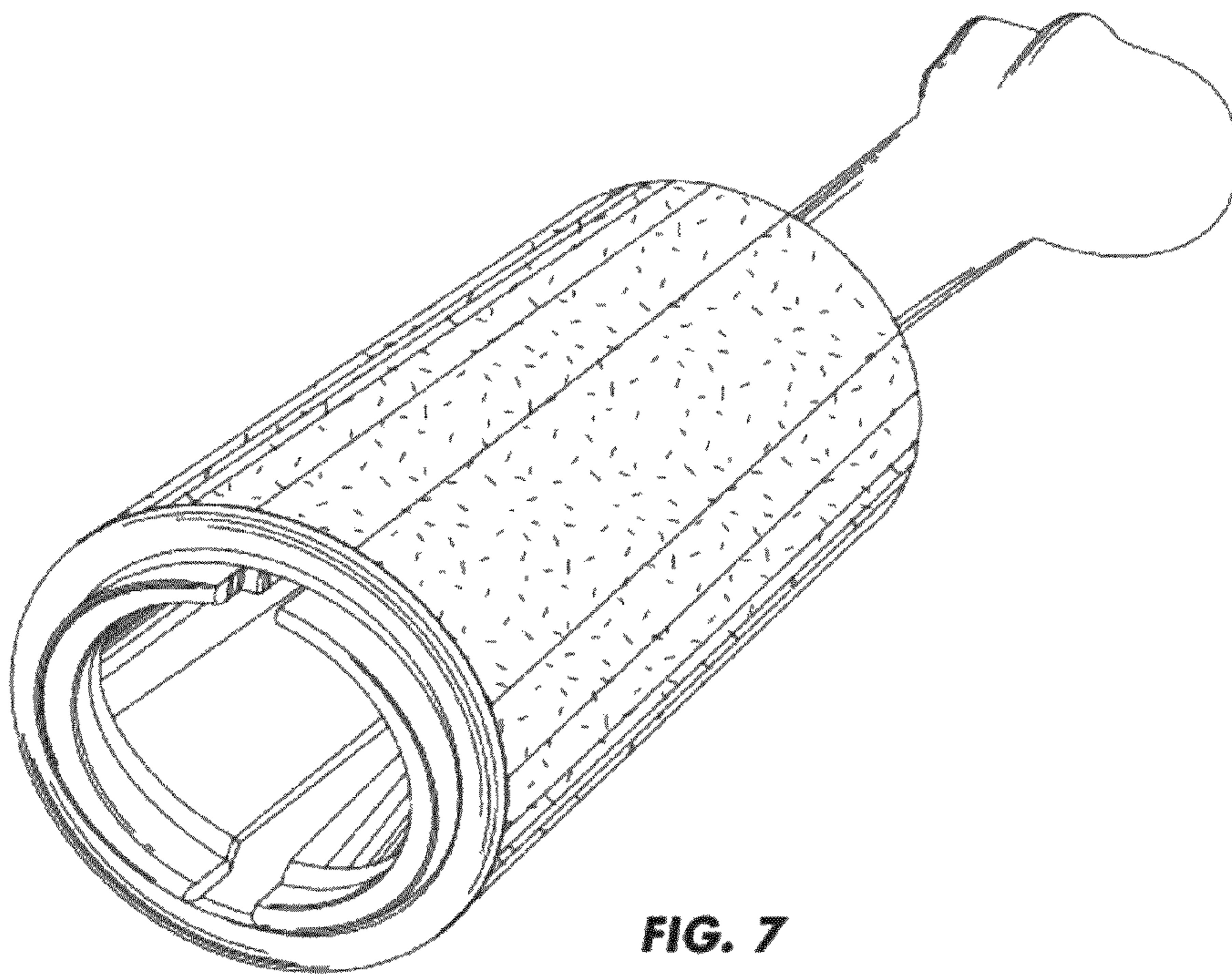


FIG. 7