



US00D655087S

(12) **United States Design Patent**
Hoppus et al.

(10) **Patent No.:** **US D655,087 S**
(45) **Date of Patent:** **** Mar. 6, 2012**

- (54) **BIN**
- (75) Inventors: **Adam D. Hoppus**, Richfield, MN (US);
Jeffrey C. Carter, Minneapolis, MN (US)
- (73) Assignee: **Target Brands, Inc.**, Minneapolis, MN (US)

- 3,563,624 A 2/1971 Stice
- 3,583,780 A 6/1971 Berkowitz
- 3,655,065 A 4/1972 Yellin
- 3,661,434 A 5/1972 Alster
- D225,815 S 1/1973 Torrey
- 3,722,704 A 3/1973 Piretti
- 3,722,971 A 3/1973 Zeischegg
- 3,743,372 A 7/1973 Ruggerone

(Continued)

- (**) Term: **14 Years**
- (21) Appl. No.: **29/403,532**
- (22) Filed: **Oct. 7, 2011**

FOREIGN PATENT DOCUMENTS

AU B69962/91 10/1991

(Continued)

OTHER PUBLICATIONS

Bin Publicly Offered For Sale in Target Stores, Jul. 2007, 2 pages.

(Continued)

Related U.S. Application Data

- (62) Division of application No. 29/356,374, filed on Feb. 24, 2010, now Pat. No. Des. 648,939.
- (51) **LOC (9) Cl.** **03-01**
- (52) **U.S. Cl.** **D3/304**
- (58) **Field of Classification Search** D3/200-201,
D3/203.1, 203.3, 205-206, 273, 276, 304-315;
D6/525, 475-476; D19/75-77, 86, 90, 92.1,
D19/100; 206/203, 214-215, 822, 307.1;
229/100, 913-914, 406

See application file for complete search history.

Primary Examiner — Elizabeth Albert
Assistant Examiner — Kelley Donnelly
(74) *Attorney, Agent, or Firm* — Griffiths & Seaton PLLC

(57) **CLAIM**

The ornamental design for a bin, as shown and described.

DESCRIPTION

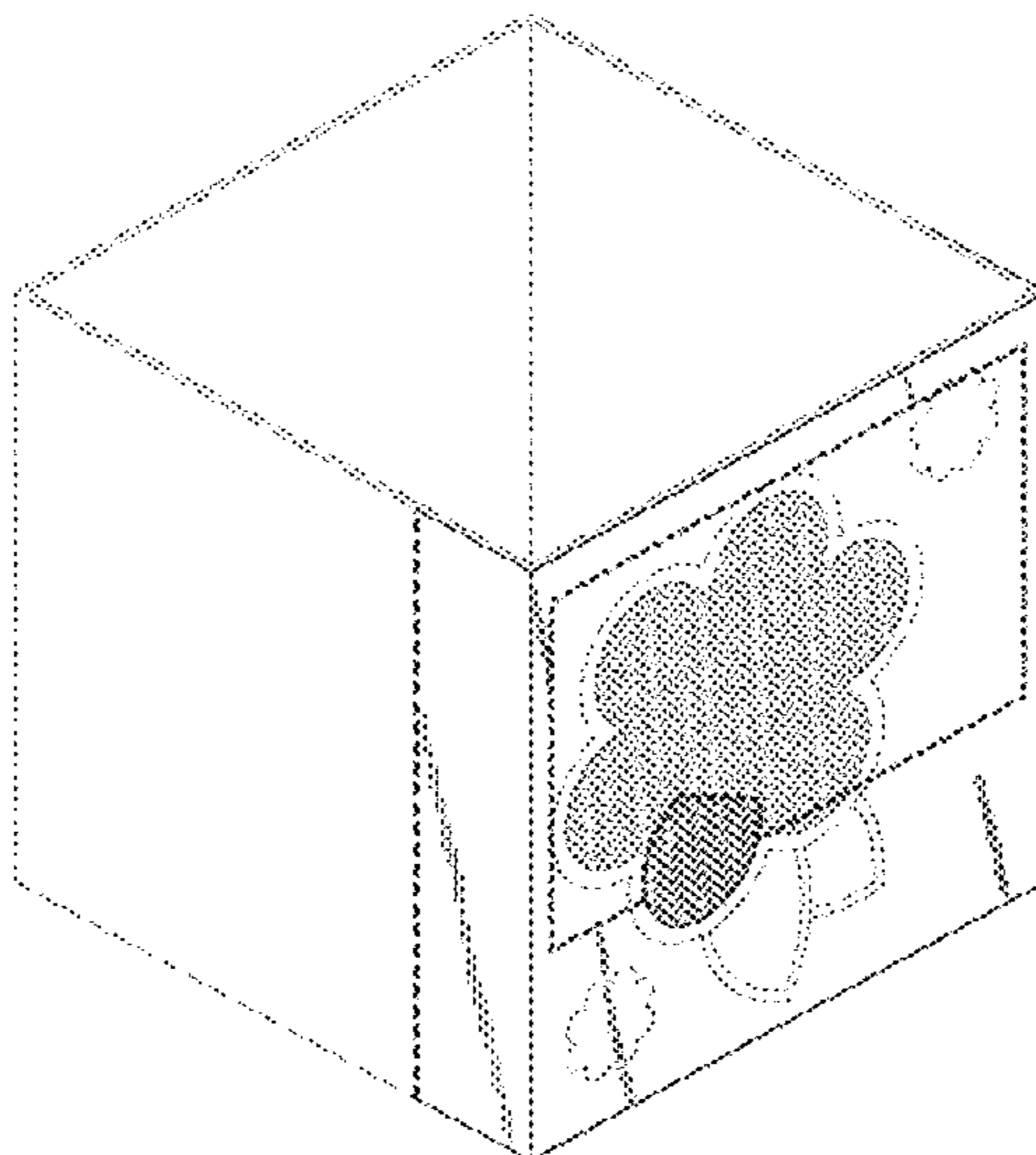
FIG. 1 is a front, perspective view of a bin showing our new design;
FIG. 2 is a front view thereof;
FIG. 3 is a rear view thereof;
FIG. 4 is a top view thereof;
FIG. 5 is a bottom view thereof; and,
FIG. 6 is a left side view thereof, the right side view being a mirror image of the left side view.
The features shown in broken lines depict environmental subject matter and form no part of the claimed design. The heavy dashed broken lines, which indicate the boundaries of the claimed design, also form no part of the claimed design.

1 Claim, 4 Drawing Sheets

(56) **References Cited**

U.S. PATENT DOCUMENTS

- 2,121,190 A 6/1938 Fellowes
- 2,299,766 A 10/1942 Rosenthal
- D158,479 S 5/1950 Long
- 3,027,045 A 3/1962 Wilson
- D197,311 S 1/1964 Spaak et al.
- 3,170,594 A 2/1965 Nascher
- 3,254,440 A 6/1966 Duggar
- 3,254,786 A 6/1966 Melville
- 3,279,873 A 10/1966 Gronquist
- 3,468,591 A 9/1969 Woldi
- 3,506,321 A 4/1970 Hampel
- 3,552,579 A 1/1971 Simon et al.



U.S. PATENT DOCUMENTS

3,822,924 A 7/1974 Lust
D232,812 S 9/1974 Ogle
3,836,217 A 9/1974 Shiina
3,836,218 A 9/1974 Hallal
3,853,367 A 12/1974 Jamison et al.
3,856,147 A 12/1974 Piretti
3,874,753 A 4/1975 Naito et al.
3,885,845 A 5/1975 Krieks
D238,051 S 12/1975 Fler, Jr.
3,975,877 A 8/1976 Walton
4,047,773 A 9/1977 Semany
4,050,604 A 9/1977 Flanders
D246,872 S 1/1978 White
D251,480 S 4/1979 Cherry
4,192,562 A 3/1980 Bishoff et al.
4,196,948 A 4/1980 Gavel et al.
D256,196 S 8/1980 Kates
4,261,627 A 4/1981 Felsenthal
D268,622 S 4/1983 Wolters et al.
4,403,554 A 9/1983 Valentine et al.
4,448,463 A 5/1984 Amos
4,470,647 A 9/1984 Bishoff et al.
4,704,313 A 11/1987 Maier
4,717,214 A 1/1988 Moore et al.
4,863,222 A 9/1989 Posso
D323,296 S 1/1992 Schoenthaler
D326,345 S 5/1992 Mandell et al.
5,119,610 A 6/1992 Birkeland et al.
5,147,120 A 9/1992 Ray
D330,161 S 10/1992 Schuh
5,176,435 A 1/1993 Pipkens
D334,815 S 4/1993 Bunger
D349,646 S 8/1994 Dickinson
5,357,728 A 10/1994 Duncanson
D360,898 S 8/1995 Huerto et al.
5,464,295 A 11/1995 Dailot
5,466,058 A 11/1995 Chan
5,477,594 A 12/1995 LePage
5,486,041 A 1/1996 Sykes
5,492,399 A 2/1996 Tillack
5,497,888 A 3/1996 Michaels et al.
D376,259 S 12/1996 Dickinson et al.
5,588,726 A 12/1996 Lee
5,647,649 A 7/1997 Kao
5,680,744 A 10/1997 Kramedjian et al.
D387,559 S 12/1997 Williamson
5,716,116 A 2/1998 Carlson et al.
5,720,547 A 2/1998 Baird
5,775,046 A 7/1998 Fanger et al.
D399,648 S 10/1998 Hilton
D404,571 S 1/1999 Evans
5,921,646 A 7/1999 Hwang
5,941,616 A 8/1999 Billingham
6,024,626 A 2/2000 Mendelsohn
D421,678 S 3/2000 Levy
D423,171 S 4/2000 Alcala et al.
D427,769 S 7/2000 Zimmerman
6,113,203 A 9/2000 Chen
D431,907 S 10/2000 Andujar et al.
D437,706 S 2/2001 Alcala et al.
6,488,346 B2 12/2002 Chen
6,508,021 B2 1/2003 Ong
6,557,955 B2 5/2003 Saravis
D495,248 S 8/2004 Krebs et al.
6,820,950 B1 11/2004 Sun
6,848,758 B1 2/2005 Yeh et al.
6,938,966 B1 9/2005 Rouwhorst
RE38,836 E 10/2005 Krause et al.
6,962,262 B2 11/2005 Toma
6,971,529 B1 12/2005 Shapiro
6,991,115 B2 1/2006 Chow et al.
7,048,346 B2 5/2006 Saravis
D540,039 S 4/2007 van Beuningen
7,231,740 B2 6/2007 Jirele
D565,664 S 4/2008 Gusdorf
7,507,136 B2 3/2009 Patton
D596,857 S * 7/2009 Ahlgrim et al. D3/307
D601,201 S 9/2009 Nelson

D602,255 S 10/2009 Ahlgrim et al.
D611,270 S 3/2010 Castillo Higareda
D622,959 S 9/2010 Zalewski et al.
D632,892 S 2/2011 Zalewski et al.
D641,620 S 7/2011 Hammond et al.
D641,980 S * 7/2011 Macoretta D3/306
8,006,465 B1 * 8/2011 Albert, III 53/443
D648,939 S * 11/2011 Hoppus et al. D3/304
2002/0185941 A1 12/2002 Ferraro et al.
2003/0193274 A1 10/2003 Saravis
2003/0222545 A1 12/2003 Stravitz
2004/0164653 A1 8/2004 Winkless
2004/0217677 A1 11/2004 Durand et al.
2005/0006991 A1 1/2005 Saravis
2005/0077805 A1 4/2005 Dalebout et al.
2005/0104483 A1 5/2005 Saravis
2006/0080928 A1 4/2006 Kichijo et al.
2006/0244348 A1 11/2006 Richied et al.
2006/0250052 A1 11/2006 Davis et al.
2008/0011697 A1 1/2008 Berg
2008/0017596 A1 1/2008 Brock
2010/0087304 A1 4/2010 Little
2010/0237754 A1 9/2010 Zalewski et al.
2010/0237755 A1 9/2010 Zalewski

FOREIGN PATENT DOCUMENTS

DE 3020836 A 12/1981
DE 3302105 7/1983
DE 3933611 4/1991
DE 4313330 9/1994
DE 19735185 2/1999
DE 19949849 2/2001
DE 20309712 U 8/2003
EP 0270495 6/1988
EP 0614017 9/1994
EP 0801912 10/1997
FR 2316679 1/1977
FR 2376677 8/1978
FR 2862356 5/2005
GB 2101202 A 1/1983
GB 2206280 1/1989
GB 2231820 A 11/1990
GB 2355672 5/2001
GB 2370239 A 6/2002
WO 8700406 1/1987
WO 9920153 4/1999
WO 0127395 4/2001

OTHER PUBLICATIONS

Shopwiki, "Organizer Bins-Lookers-Locker Organizers-Magnetic Storage Bins," http://www.shopwiki.com/_Organizer+Bins++Lookers++Locker+Organizers++Magnetic+Storage+Bins, printed on Aug. 2, 2009, 2 pages.
"iCube, my cube, my space™", materials publicly provided in an offer to sell the associated product at least as early as Apr. 23, 2008, 22 pages.
Egan Visual, Inc., "Modular Storage . . . configured to your requirements," 2004, 2 pages.
Egan Visual, Inc., "Finish Schedule," Price and Specification Guide, Jul. 2002, 11 pages.
Egan Visual, Inc., "Finish Schedule," Price and Specification Guide, Jul. 2002, 3 pages.
Egan Visual, Inc., "Mobile Task Carts & Lockers—Product Design Rationale," 2004, 2 pages.
Moduline Modular Aluminum Cabinets, "Moduline Pro-Series Combinations—Trailer Cabinets Organize With Style! —Modular Aluminum Storage Cabinets," printed from www.modulinecabinets.com in May 2006, 3 pages.
"elfa® Platinum Garage System," printed from www.organize.com in May 2006, 2 pages.
"The Cube Storage System," printed from www.organize.com in May 2006, 2 pages.
"Storage Cubes: A Unique 5 Piece Modular Storage System—Cherry," printed from www.organize.com in May 2006, 2 pages.

US D655,087 S

Page 3

“elfa® Basic 9" Double Hang Closet,” printed from www.organize.com in May 2006, 2 pages.

“Closits Modular Furniture System—Maple,” printed from www.target.com in May 2006, 3 pages.

“QBO Storage Solution,” www.topdeq.com/topdeq/product.do@catid=us_75&prodid=pp_QBO, printed in May 2006, 2 pages.

“Cubo Modular Storage,” www.topdeq.com/topdeq/product.do@catid=us_75&prodid=pp_CUBIC, printed in May 2006, 3 pages.

Storage Member publicly available in Ikea stores at least as early as Jan. 2000.

* cited by examiner

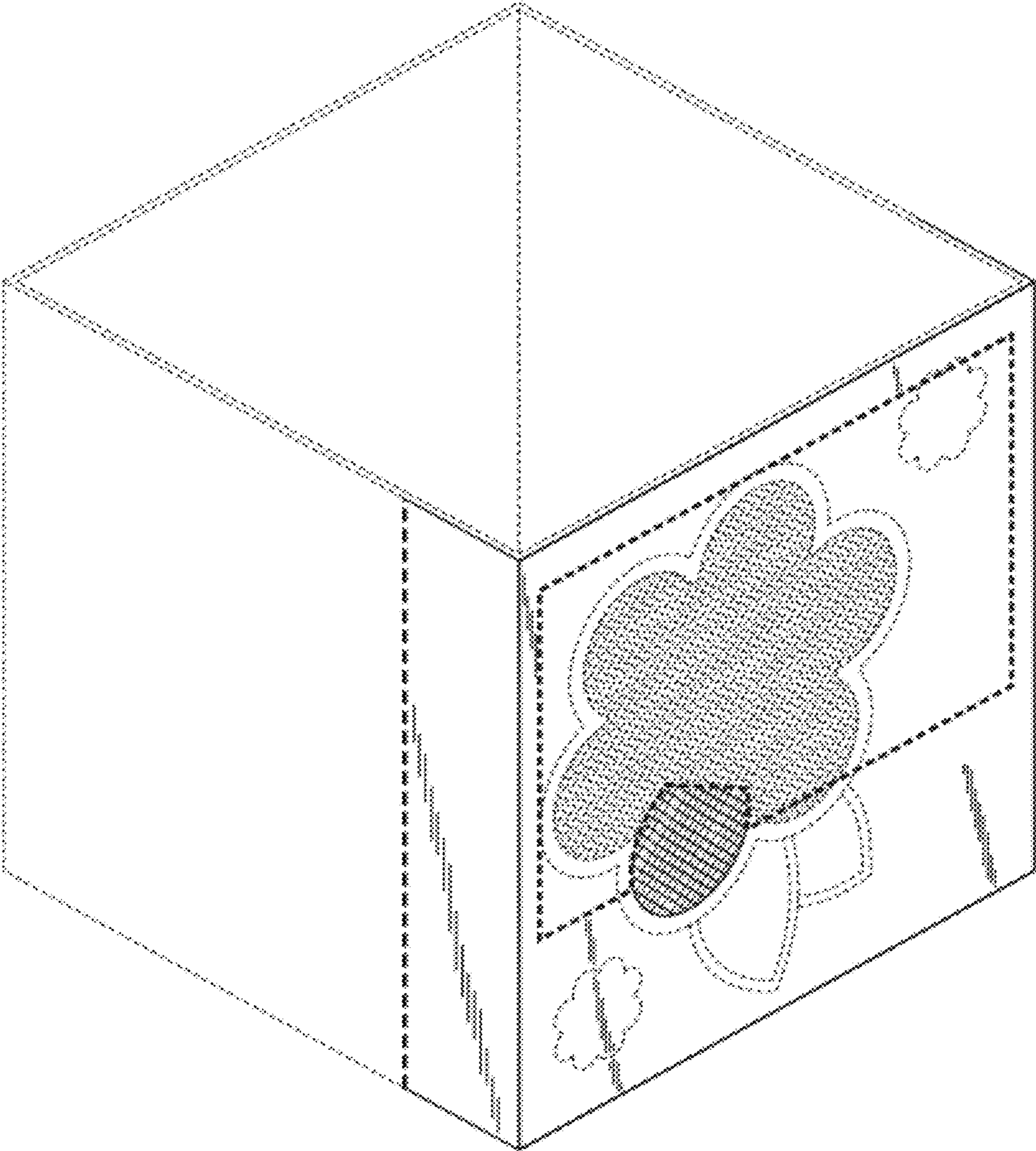


Fig. 1

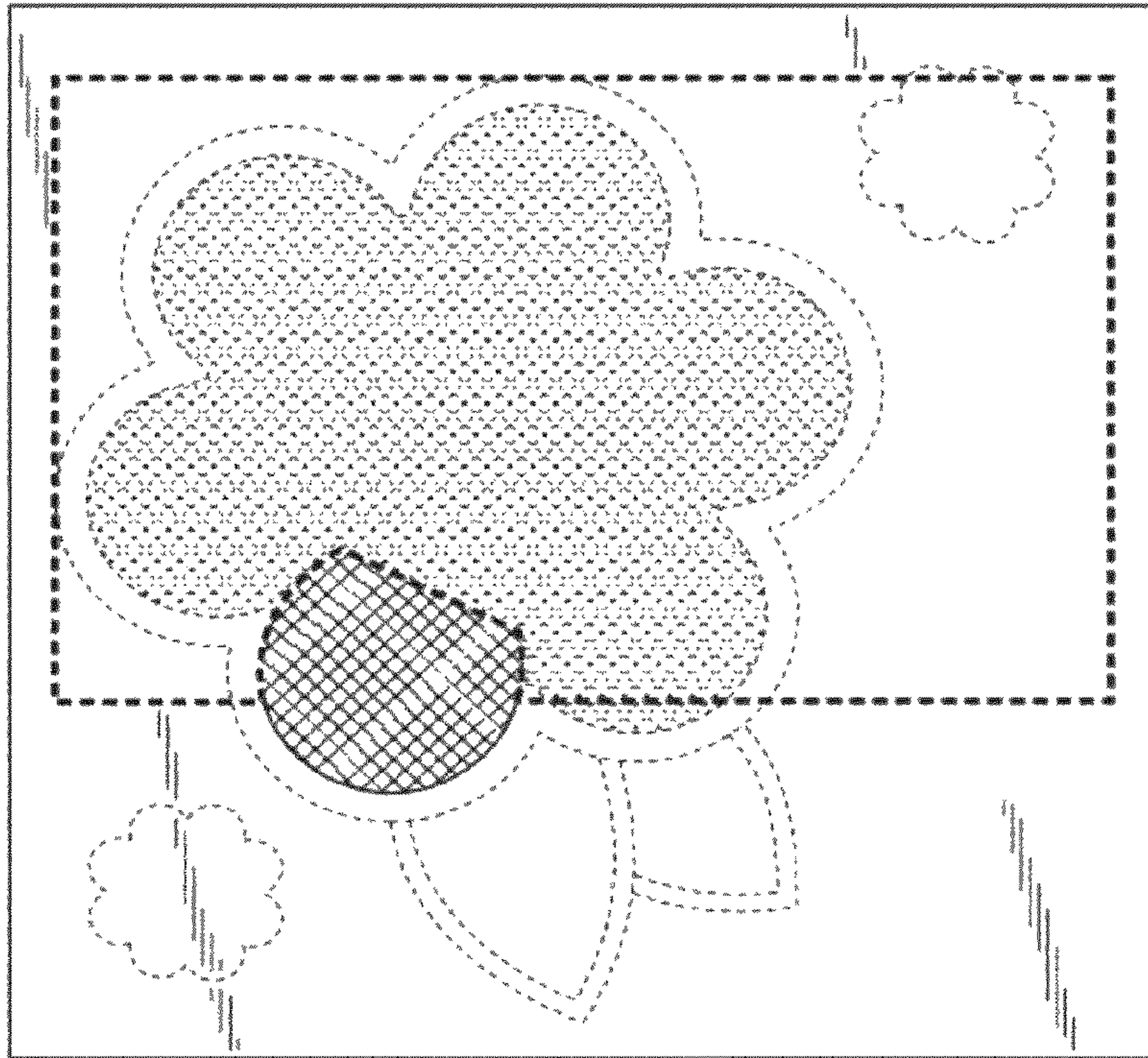


Fig. 2

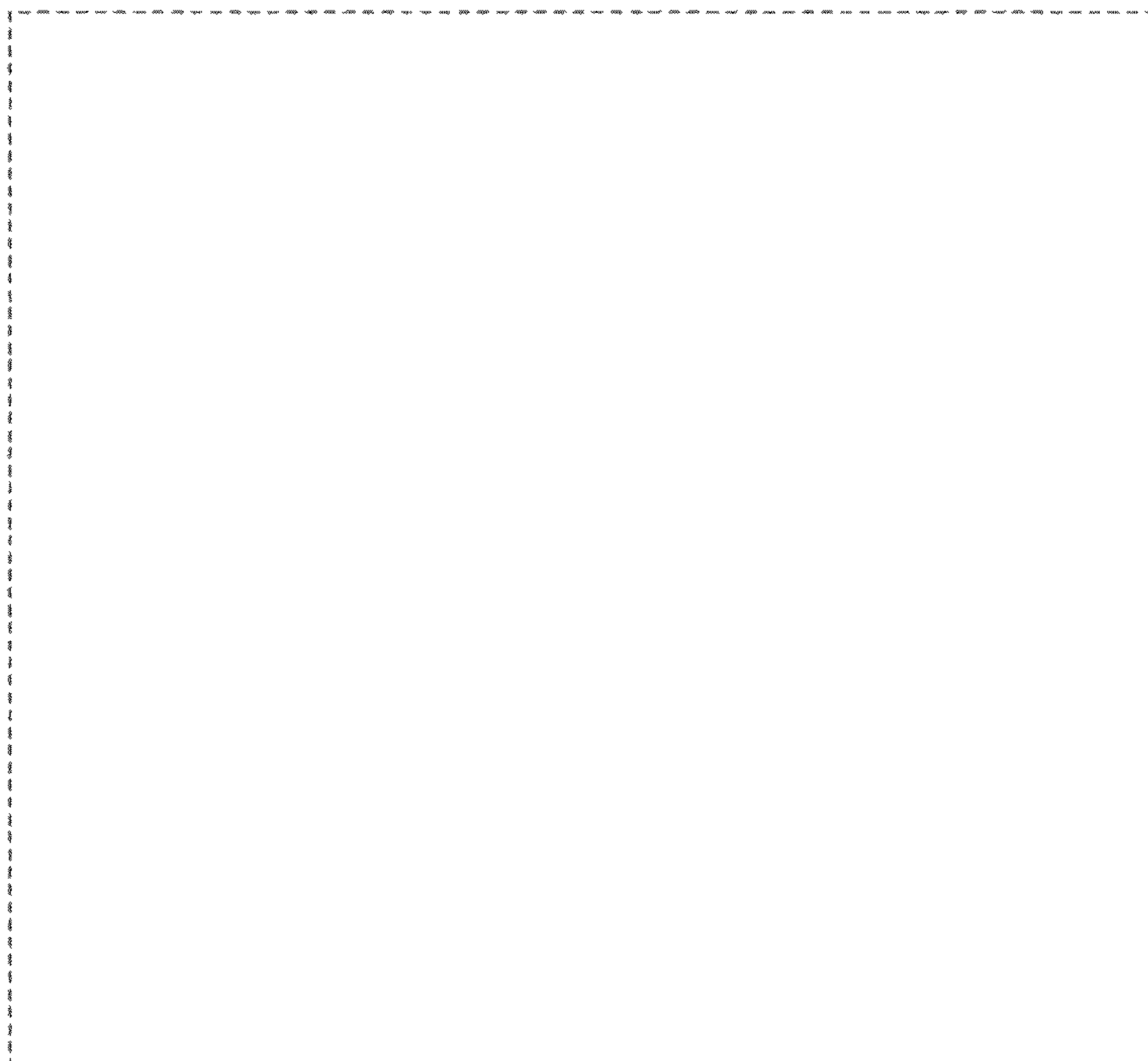


Fig. 3



Fig. 4

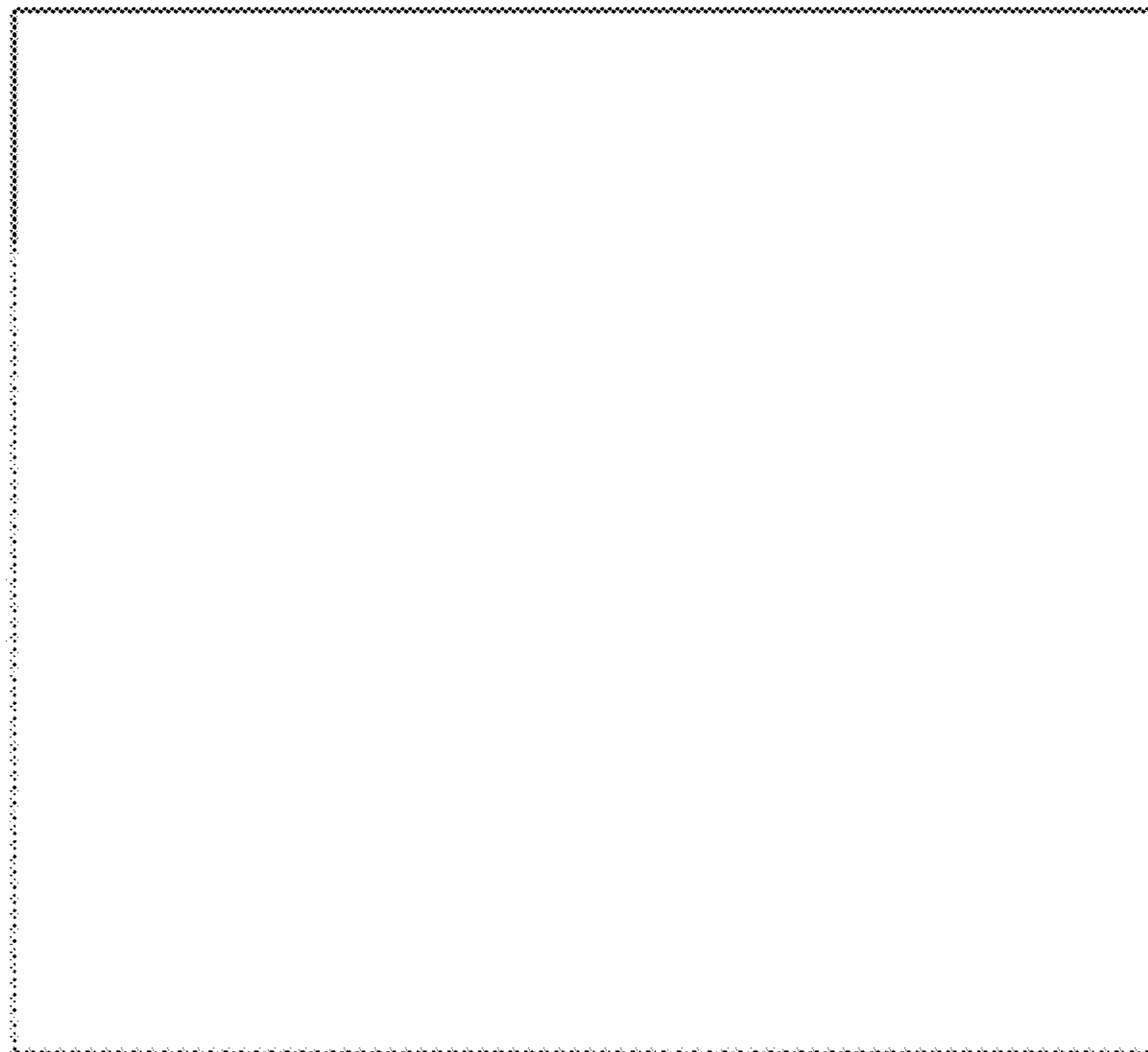


Fig. 5

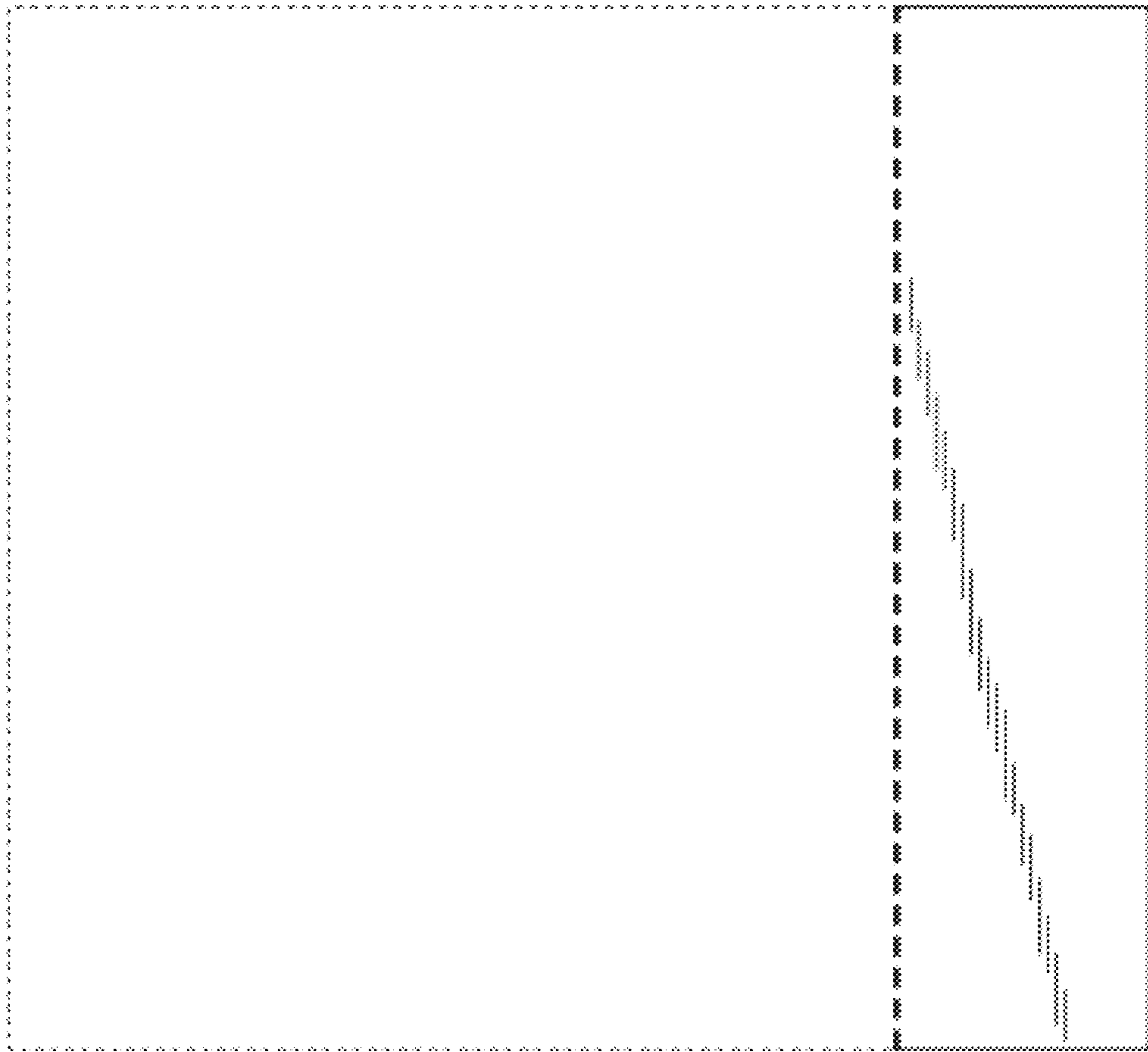


Fig. 6