



US00D655084S

(12) **United States Design Patent**
Shor et al.

(10) **Patent No.:** **US D655,084 S**
(45) **Date of Patent:** **** Mar. 6, 2012**

(54) **CARRYING CASE FOR PORTABLE ELECTRONIC DEVICE**

D595,503 S * 7/2009 Guy D3/205
D613,054 S * 4/2010 Morszeck D3/205
2009/0223007 A1 9/2009 Li

* cited by examiner

(76) Inventors: **Otniel Shor**, Colts Neck, NJ (US); **Todd Kramer**, Marlton, NJ (US)

Primary Examiner — Holly Baynham

(**) Term: **14 Years**

(74) *Attorney, Agent, or Firm* — Lawrence G. Fridman

(21) Appl. No.: **29/372,862**

(57) **CLAIM**

The ornamental design for a carrying case for portable electronic device, as shown and described.

(22) Filed: **Jan. 24, 2011**

DESCRIPTION

(51) **LOC (9) Cl.** **03-01**

(52) **U.S. Cl.** **D3/276**

(58) **Field of Classification Search** D3/276,
D3/301, 303, 272; 206/320

See application file for complete search history.

FIG. 1 is a perspective view of a carrying case for portable electronic device in a partially open position showing our new design;

FIG. 2 is a front elevational view thereof;

FIG. 3 is a side elevation view thereof; (the other side view is a mirror image of FIG. 3);

FIG. 4 is a top plan view thereof;

FIG. 5 is a rear elevational view thereof;

FIG. 6 is a bottom plan view thereof;

FIG. 7 is a top plan view of the carrying case in a fully open position;

FIG. 8 is a top plan view of the carrying case showing a receiving compartment; and,

FIG. 9 is another perspective view of the carrying case showing the receiving compartment.

The broken lines representing stitching are part of the claimed design.

(56) **References Cited**

U.S. PATENT DOCUMENTS

5,217,119	A	6/1993	Hollingsworth	
5,263,587	A	11/1993	Elkin et al.	
5,360,108	A	11/1994	Alagia	
5,524,754	A	6/1996	Hollingsworth	
D390,004	S *	2/1998	Tawil	D3/246
5,884,768	A	3/1999	Fox	
6,105,764	A	8/2000	Scicluna et al.	
6,109,434	A	8/2000	Howard, Jr.	
6,131,734	A	10/2000	Hollingsworth et al.	
D477,563	S *	7/2003	Hassett	D12/416
6,735,009	B2	5/2004	Li	
D512,219	S	12/2005	Yeo	

1 Claim, 6 Drawing Sheets



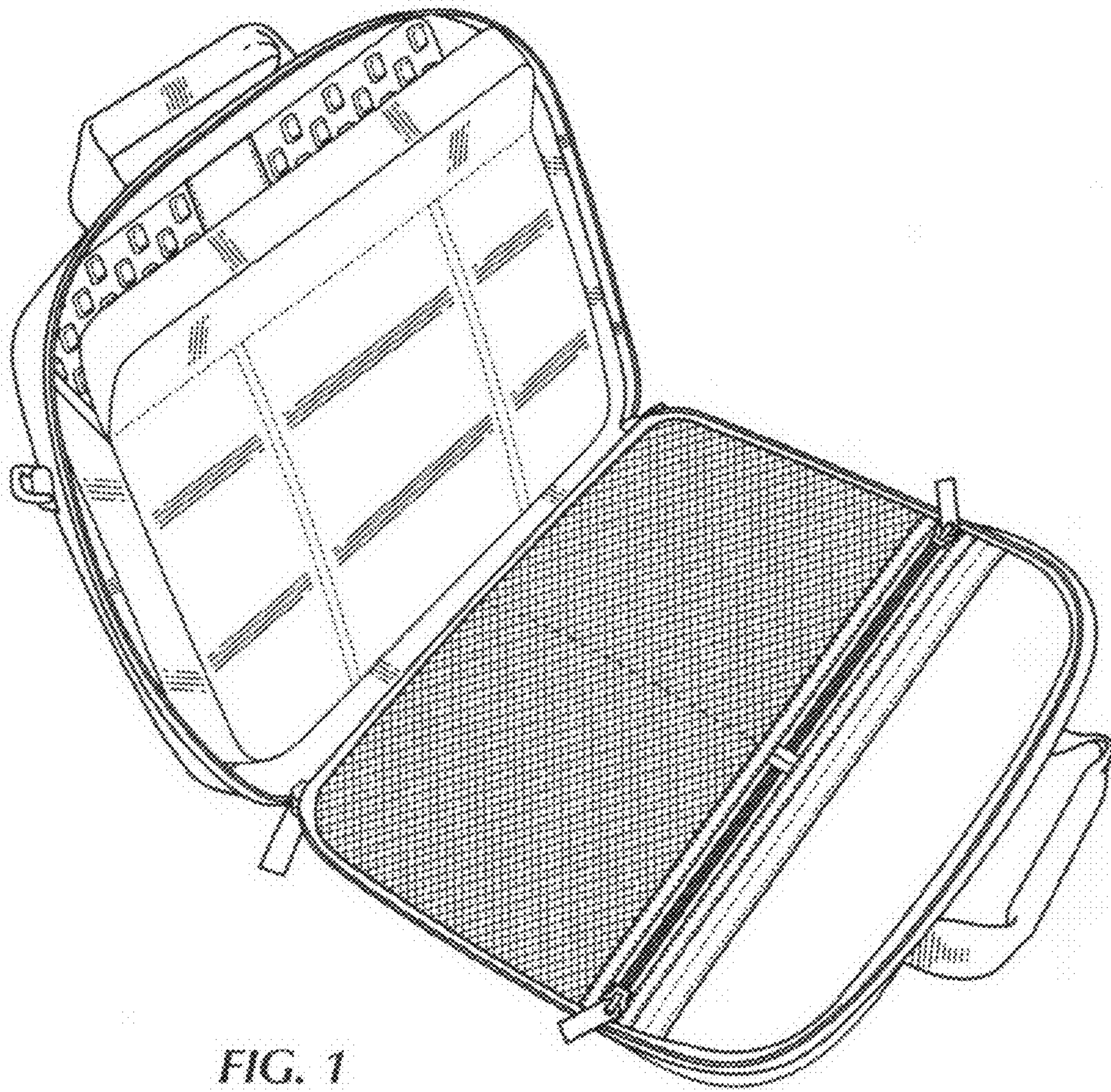


FIG. 1

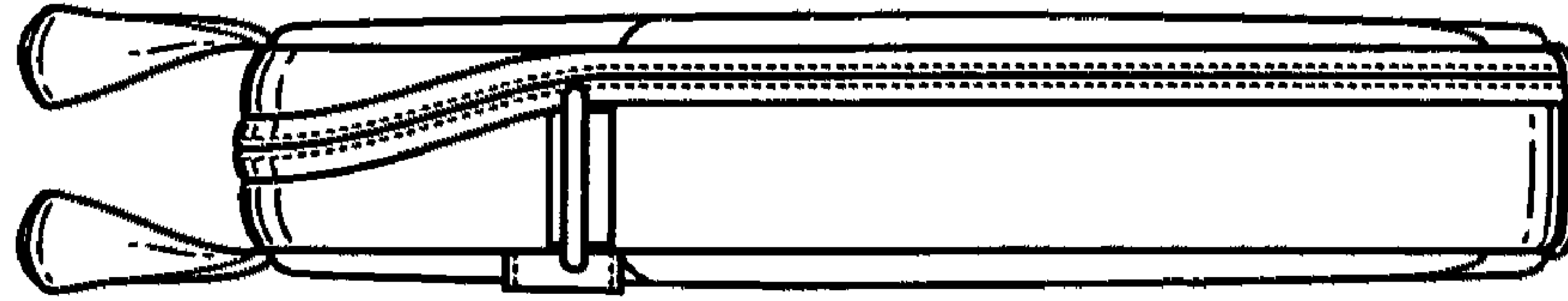


FIG. 3

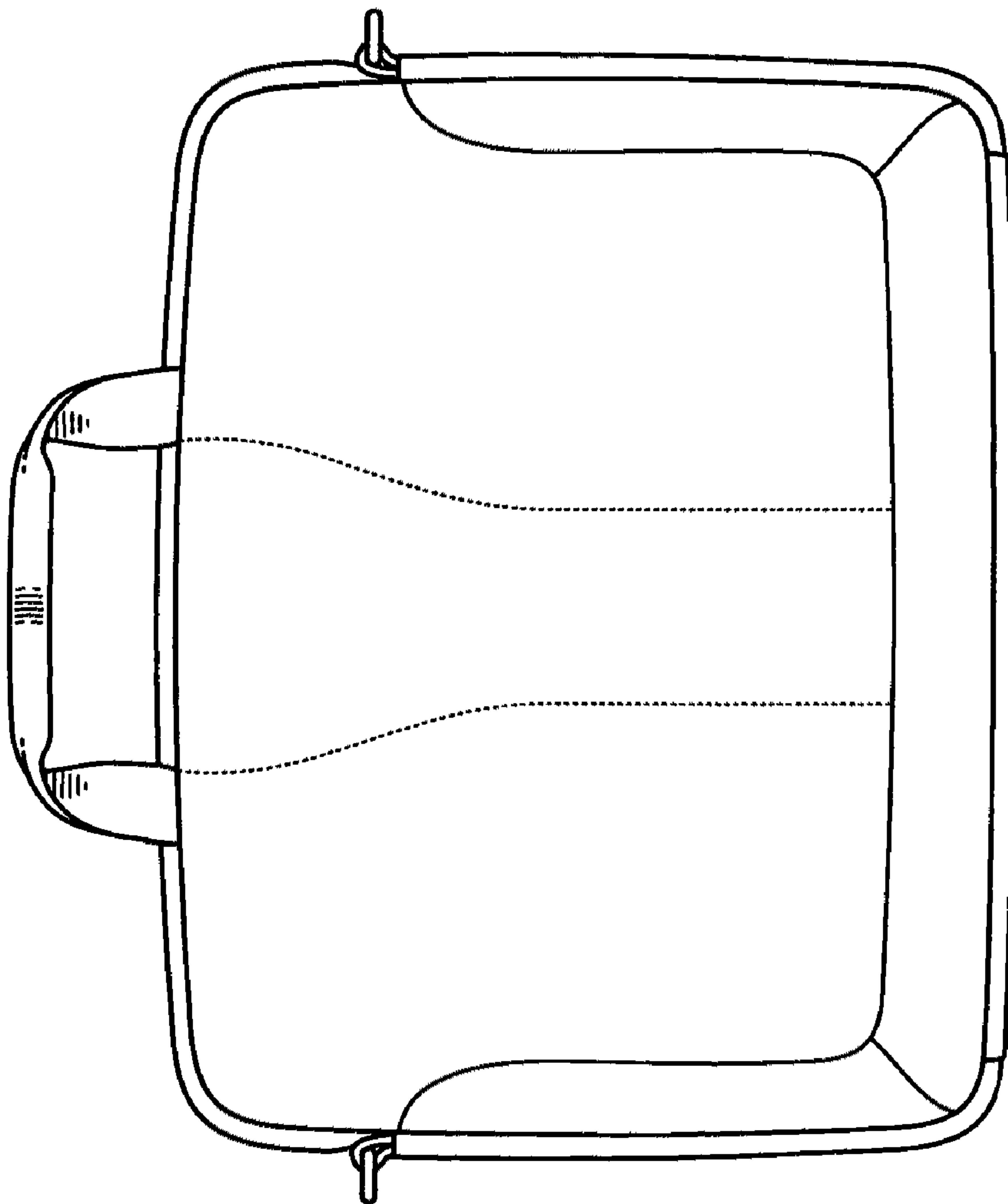


FIG. 2

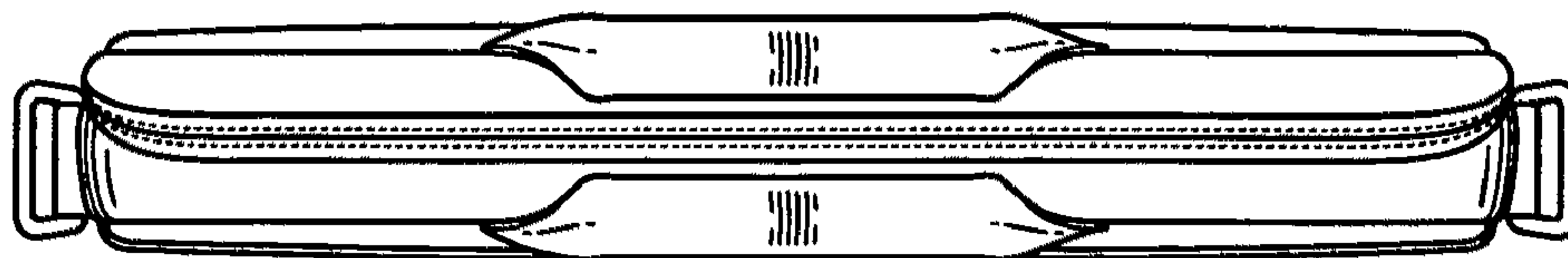


FIG. 4

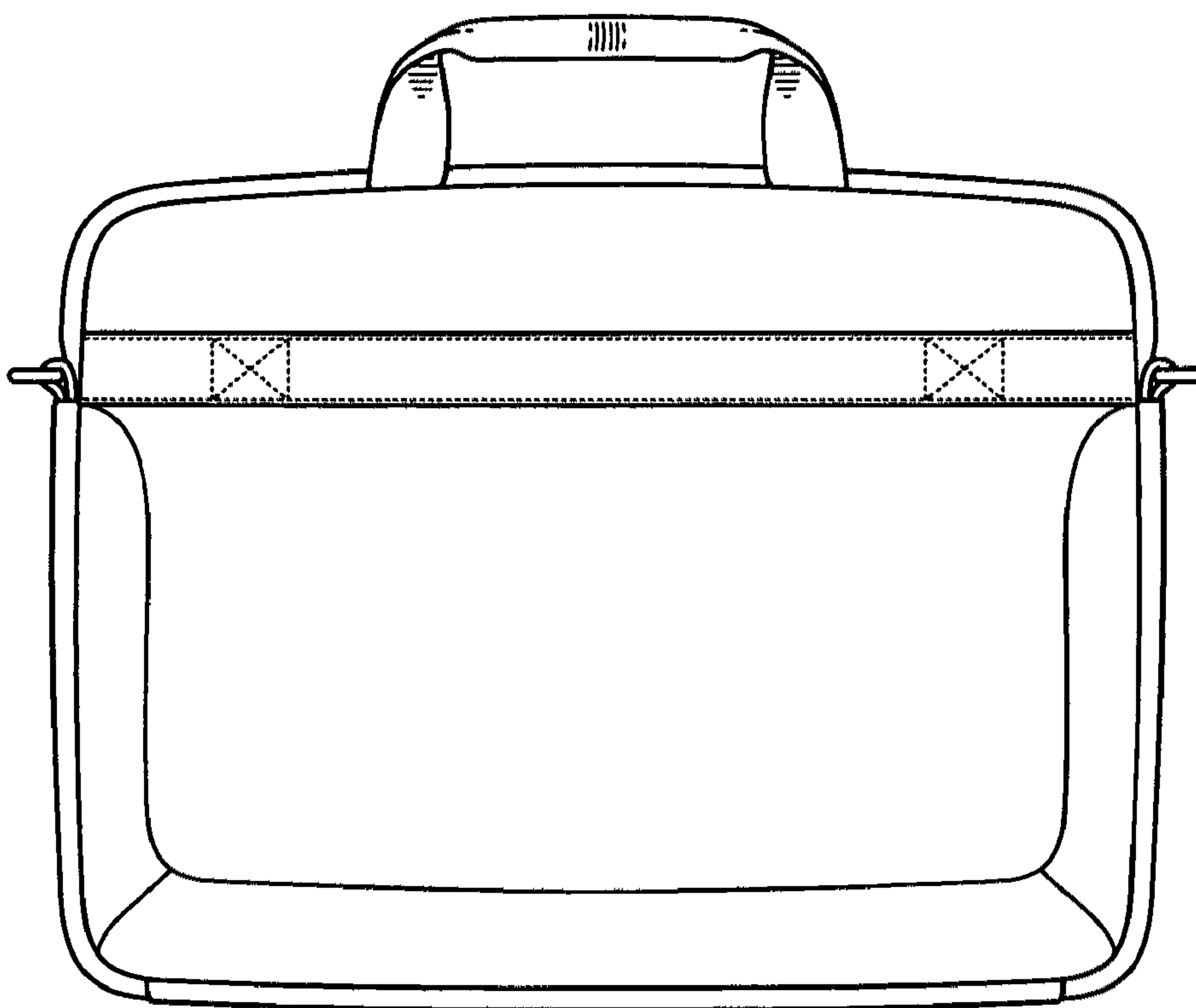


FIG. 5

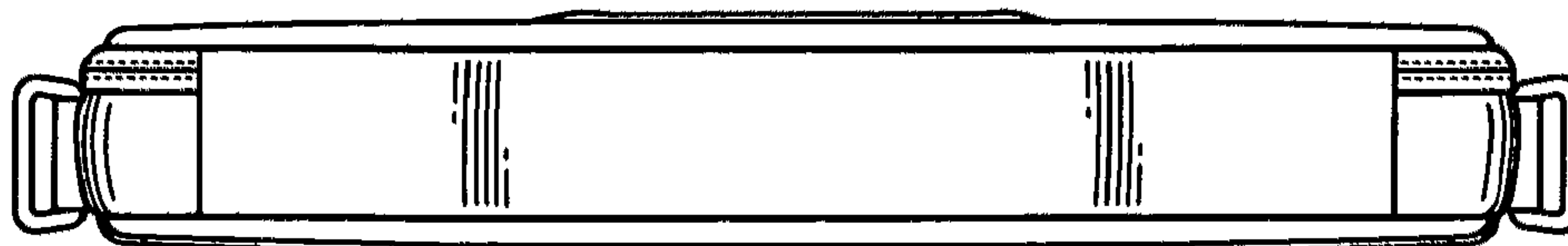


FIG. 6

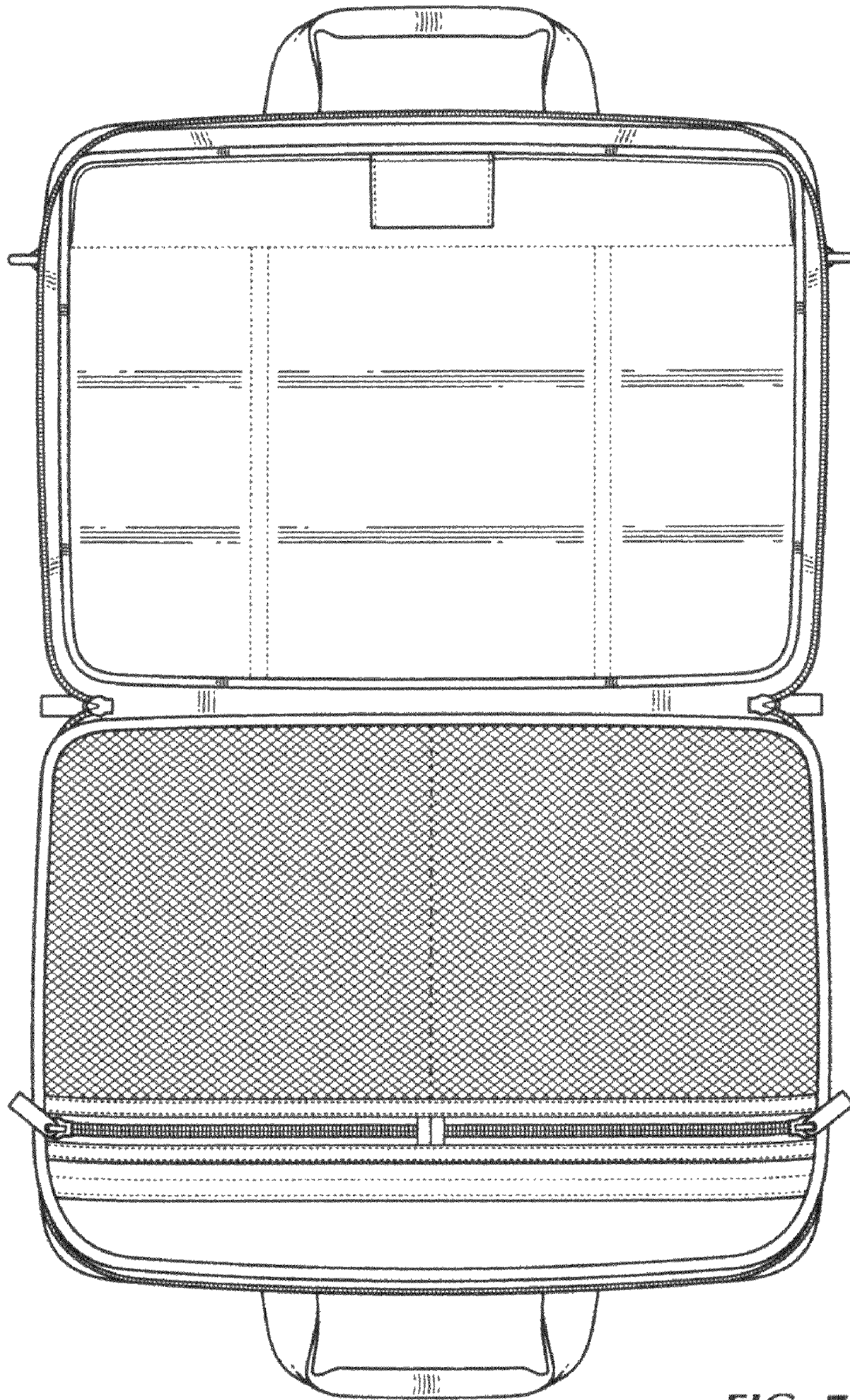


FIG. 7

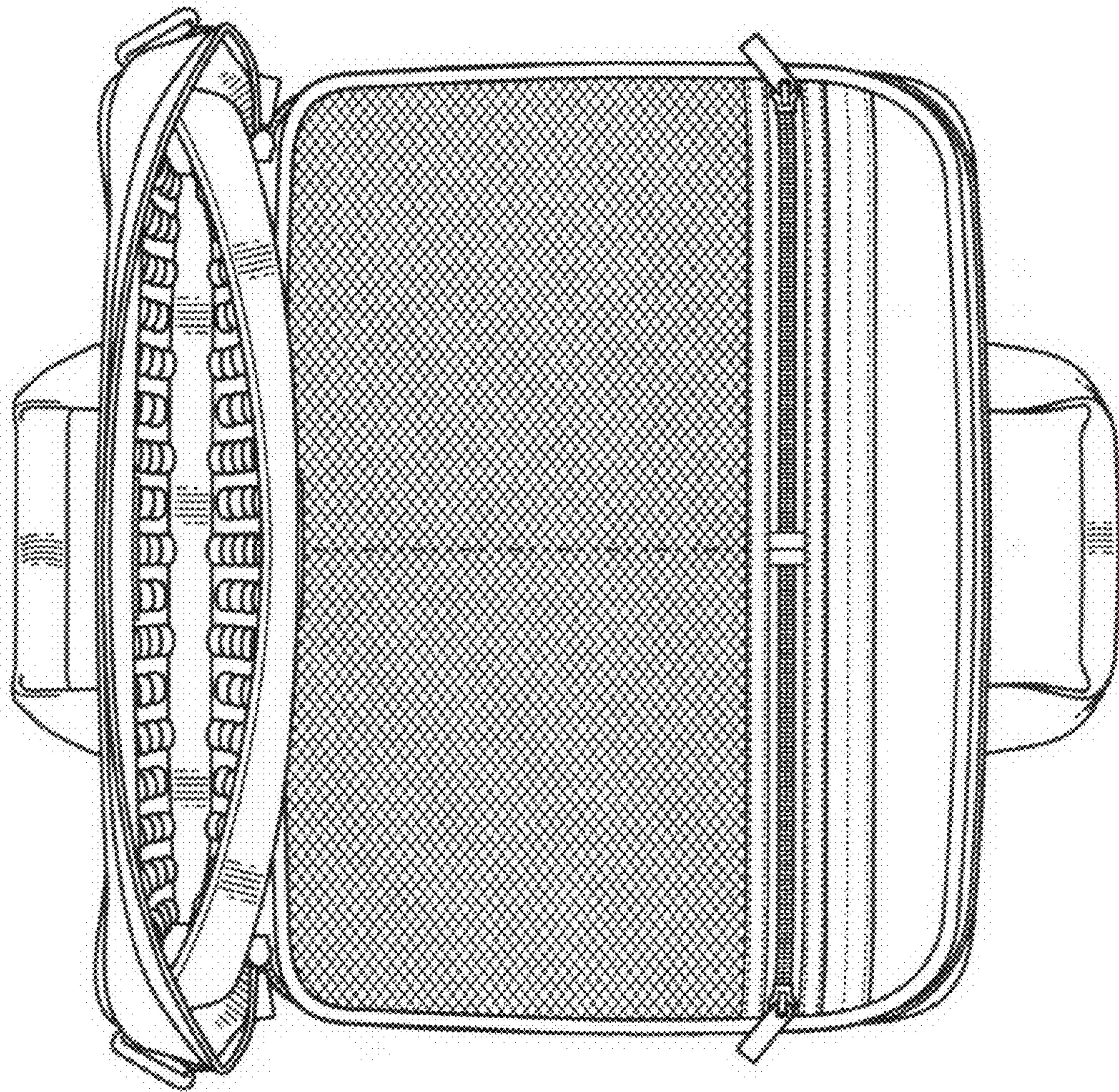


FIG. 8

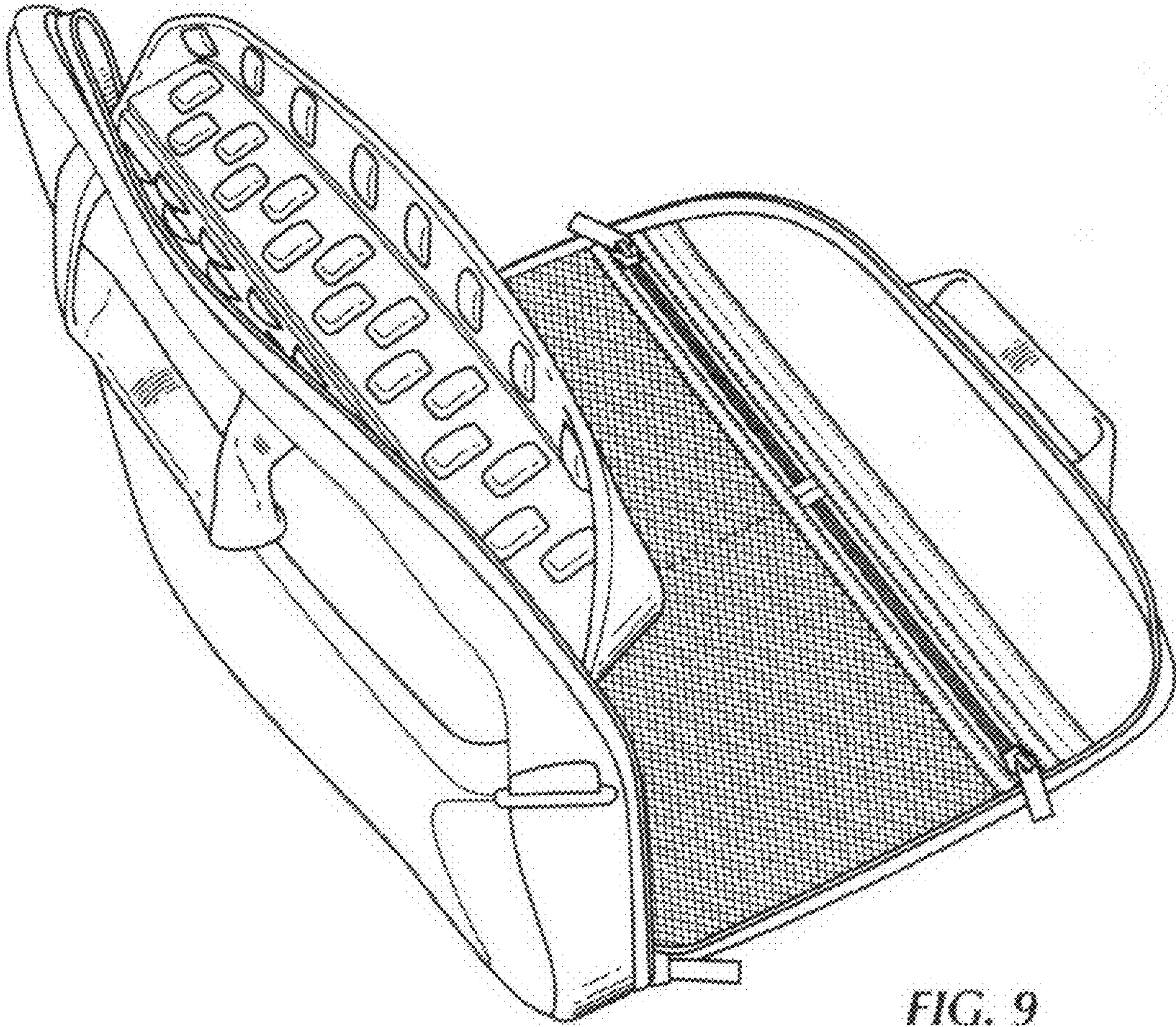


FIG. 9