



US00D655081S

(12) **United States Design Patent**  
**Maravilla et al.**

(10) **Patent No.:** **US D655,081 S**  
(45) **Date of Patent:** **\*\* Mar. 6, 2012**

(54) **ELECTRONIC DEVICE HOLDER FOR A WRIST BAND**

(75) Inventors: **Daniel J. Maravilla**, Simi Valley, CA (US); **Anthony T. Valladares**, Thousand Oaks, CA (US)

(73) Assignee: **August Hat Company, Inc.**, Oxnard, CA (US)

(\*\*) Term: **14 Years**

(21) Appl. No.: **29/392,009**

(22) Filed: **May 16, 2011**

(51) **LOC (9) Cl.** ..... **03-01**

(52) **U.S. Cl.** ..... **D3/218**

(58) **Field of Classification Search** ..... D3/218, D3/215, 219, 201; D11/1-5; D10/31-32; D14/138, 250-251, 253; 361/679.03; 224/219, 224/222, 267, 269, 236, 240-241, 646, 666, 224/678, 930, 165, 197, 221; 206/305, 320; 455/575.1-575.8; 379/454-455

See application file for complete search history.

(56) **References Cited**

U.S. PATENT DOCUMENTS

5,235,728 A \* 8/1993 Nordberg ..... 24/3.11  
5,584,423 A \* 12/1996 Wang ..... 224/197

D388,249 S \* 12/1997 Negron ..... D3/218  
6,726,070 B2 \* 4/2004 Lautner ..... 224/221  
D519,731 S \* 5/2006 Andre et al. .... D3/218  
D545,564 S \* 7/2007 Davis ..... D3/218  
2003/0019894 A1 \* 1/2003 Caldana ..... 224/165

\* cited by examiner

*Primary Examiner* — Catheri Oliver

(74) *Attorney, Agent, or Firm* — Christie, Parker & Hale, LLP

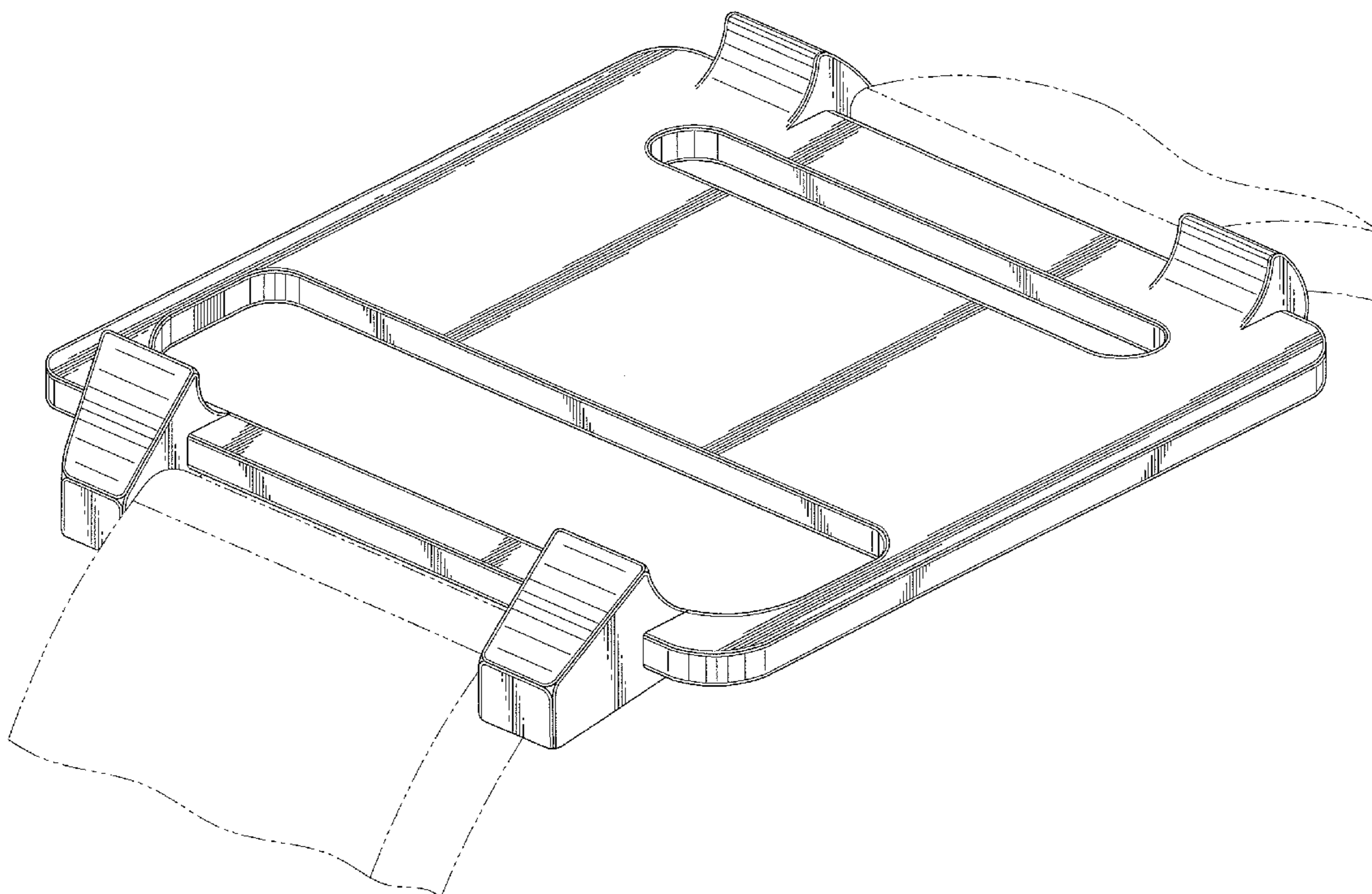
(57) **CLAIM**

The ornamental design for electronic device holder for a wrist band, as shown and described.

**DESCRIPTION**

FIG. 1 is a perspective view of our new electronic device holder for a wrist band design;  
FIG. 2 is a top view of our new electronic device holder for a wrist band design;  
FIG. 3 is a right side view of our new electronic device holder for a wrist band design, which is the same as a left side view;  
FIG. 4 is a bottom view of our new electronic device holder for a wrist band design; and,  
FIG. 5 is a front end view of our new electronic device holder for a wrist band design, which is the same as a rear end view. The broken lines are for illustrative purposes only and form no part of the claimed design.

**1 Claim, 5 Drawing Sheets**



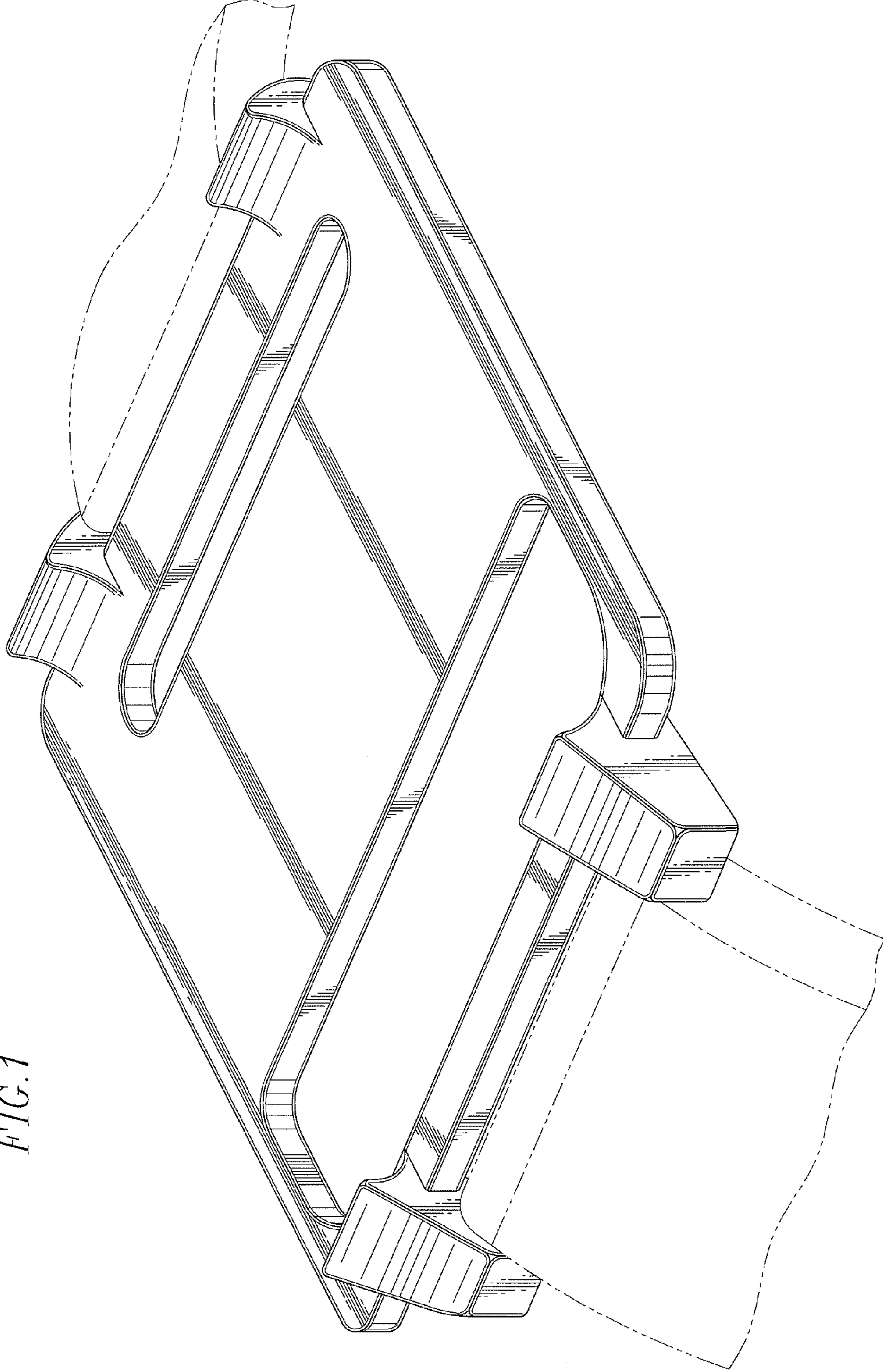
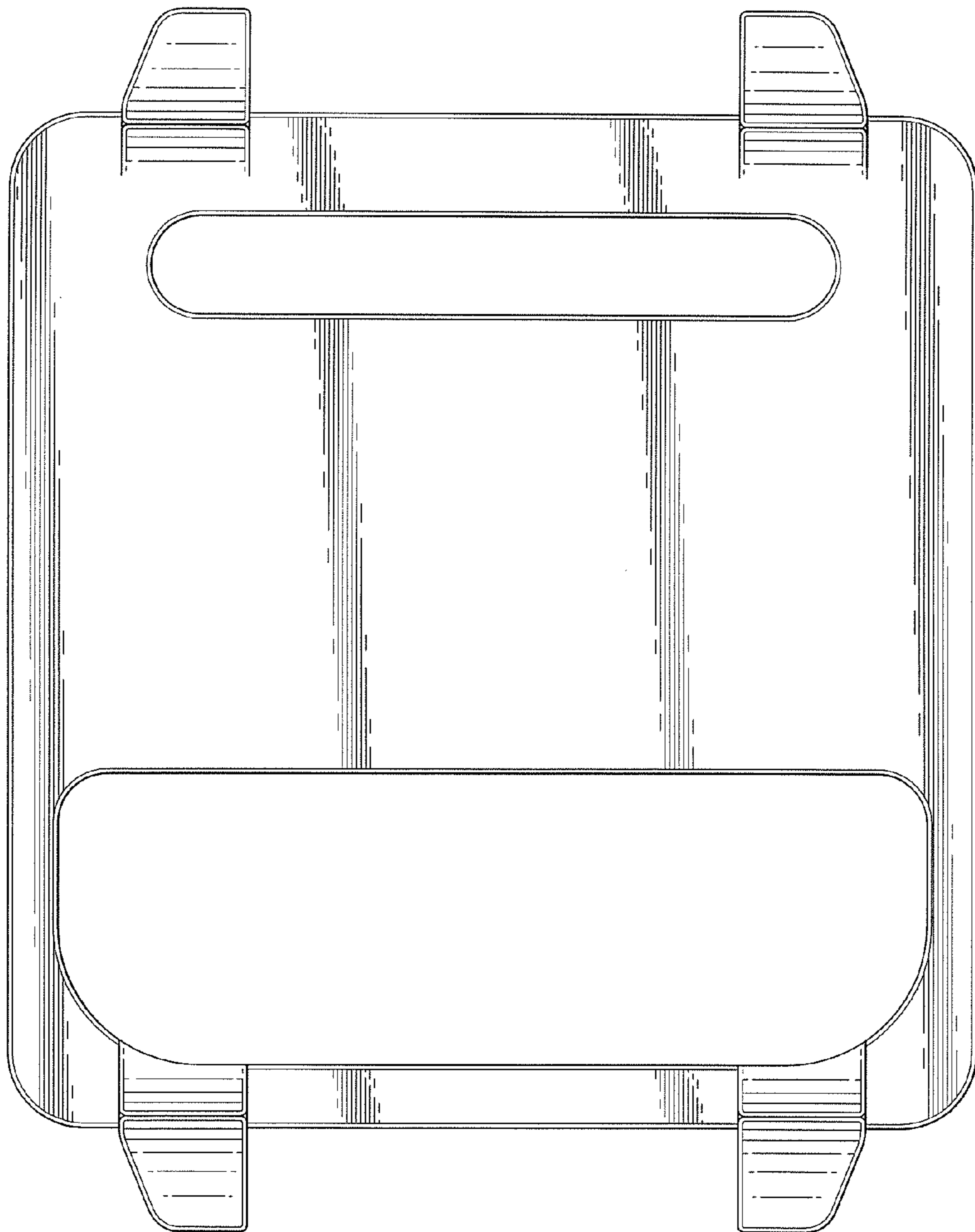


FIG. 1

*FIG. 2*



*FIG. 3*

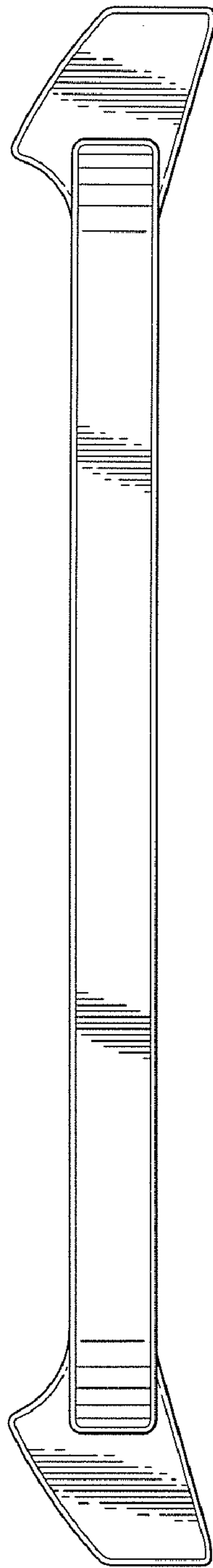
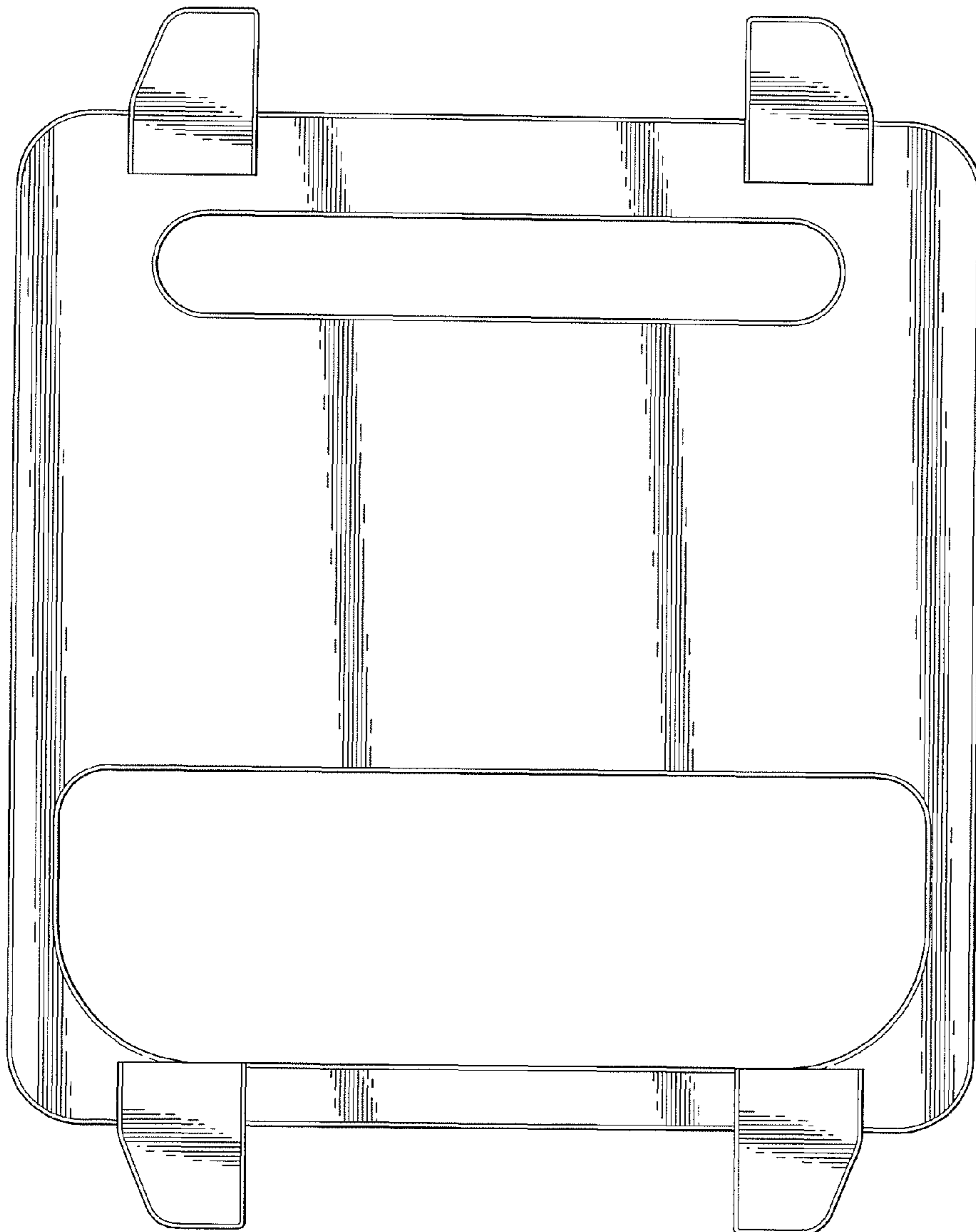




FIG. 4



*FIG. 5*

