



US00D655079S

(12) **United States Design Patent**
Patenaude

(10) **Patent No.:** **US D655,079 S**
(45) **Date of Patent:** **** Mar. 6, 2012**

(54) **DENTURE BATH**

(75) Inventor: **Danielle Patenaude**, Montreal (CA)

(73) Assignee: **Les Brevets Eurêka inc.**, Montreal, QC
(CA)

(**) Term: **14 Years**

(21) Appl. No.: **29/391,145**

(22) Filed: **May 4, 2011**

(51) **LOC (9) Cl.** **03-01**

(52) **U.S. Cl.** **D3/203.1**

(58) **Field of Classification Search** D3/203.1,
D3/201, 272-273, 294, 302, 903; D24/176,
D24/227; D28/73; 15/104.001; 206/63.5,
206/83, 205, 368, 438; 220/62.11

See application file for complete search history.

(56) **References Cited**

U.S. PATENT DOCUMENTS

D212,066 S * 8/1968 Seller D28/73
D230,012 S * 1/1974 Chipman, Jr. D3/294
D427,686 S * 7/2000 Butler et al. D3/203.1
D539,641 S * 4/2007 Tanner D3/203.1

* cited by examiner

Primary Examiner — Catheri Oliver

(74) *Attorney, Agent, or Firm* — Benoît & Côté

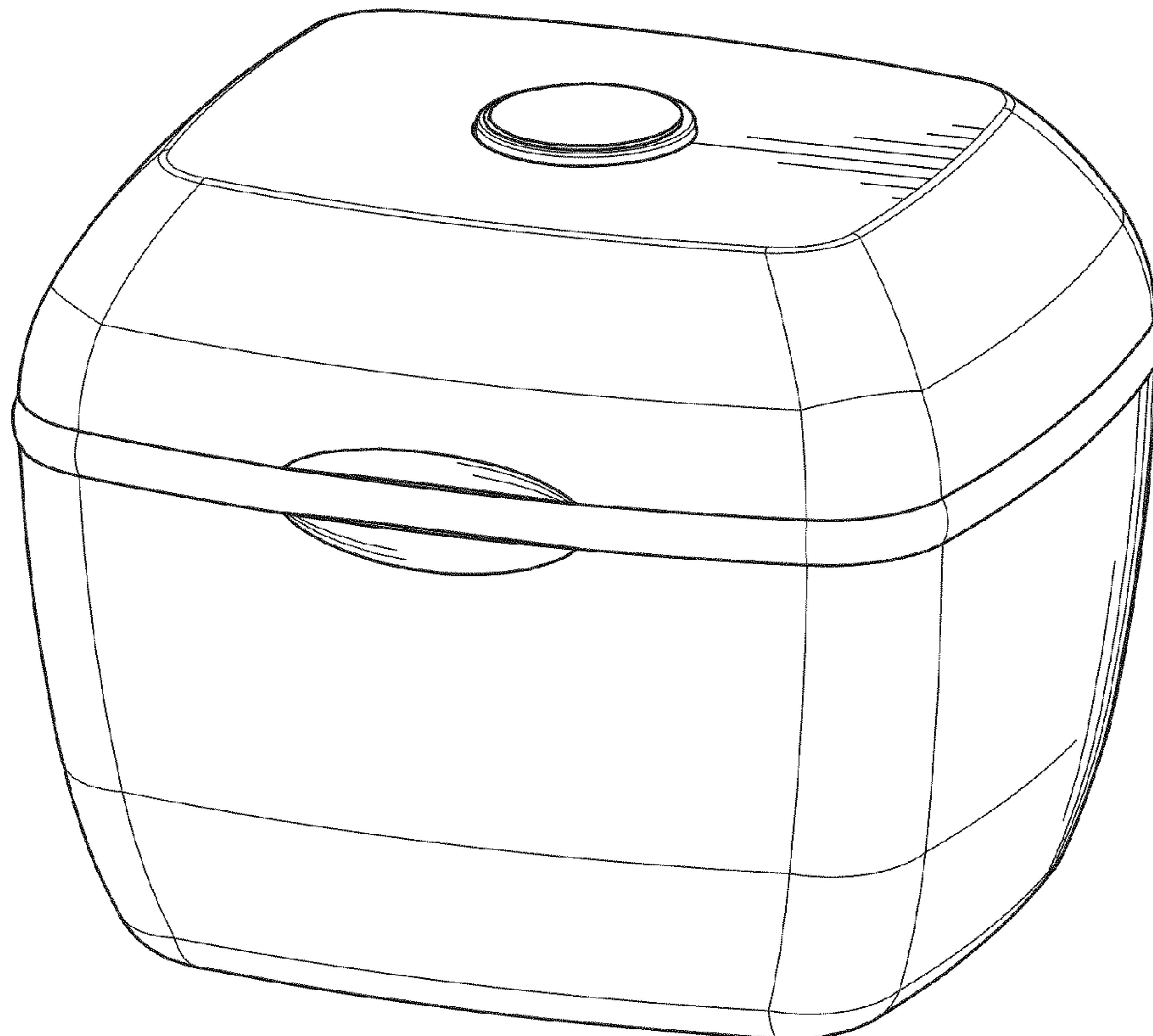
(57) **CLAIM**

I claim the ornamental design for a denture bath.

DESCRIPTION

FIG. 1 is a top, front and left side perspective view of the denture bath in accordance with the present design;
FIG. 2 is a top, front and left side exploded perspective view of the present design;
FIG. 3 is a front elevational view of the present design (rear elevational view identical);
FIG. 4 is a right side elevational view of the present design (left side elevational view identical);
FIG. 5 is a top plan view of the present design; and,
FIG. 6 is a bottom plan view of the present design.

1 Claim, 6 Drawing Sheets



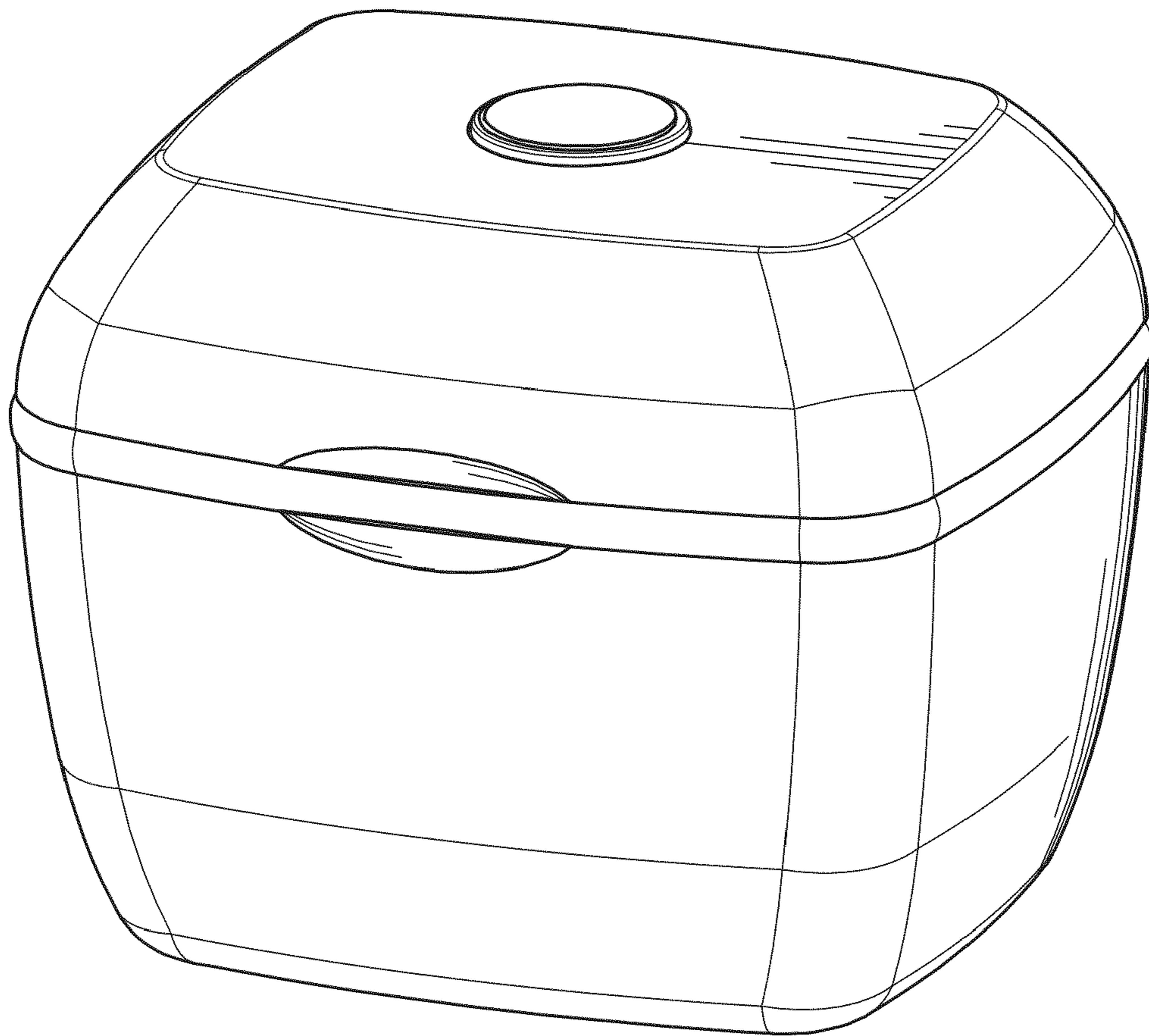


FIG. 1

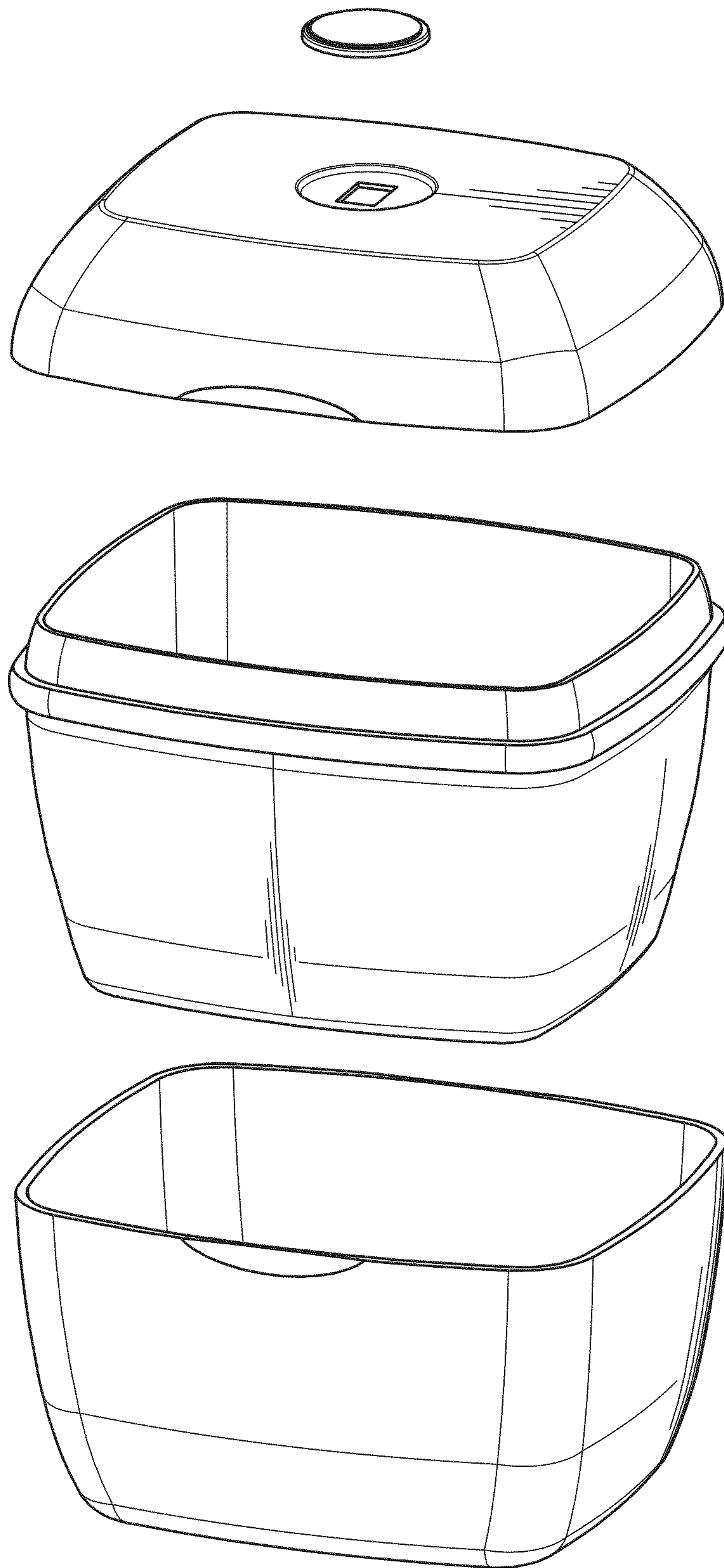


FIG. 2

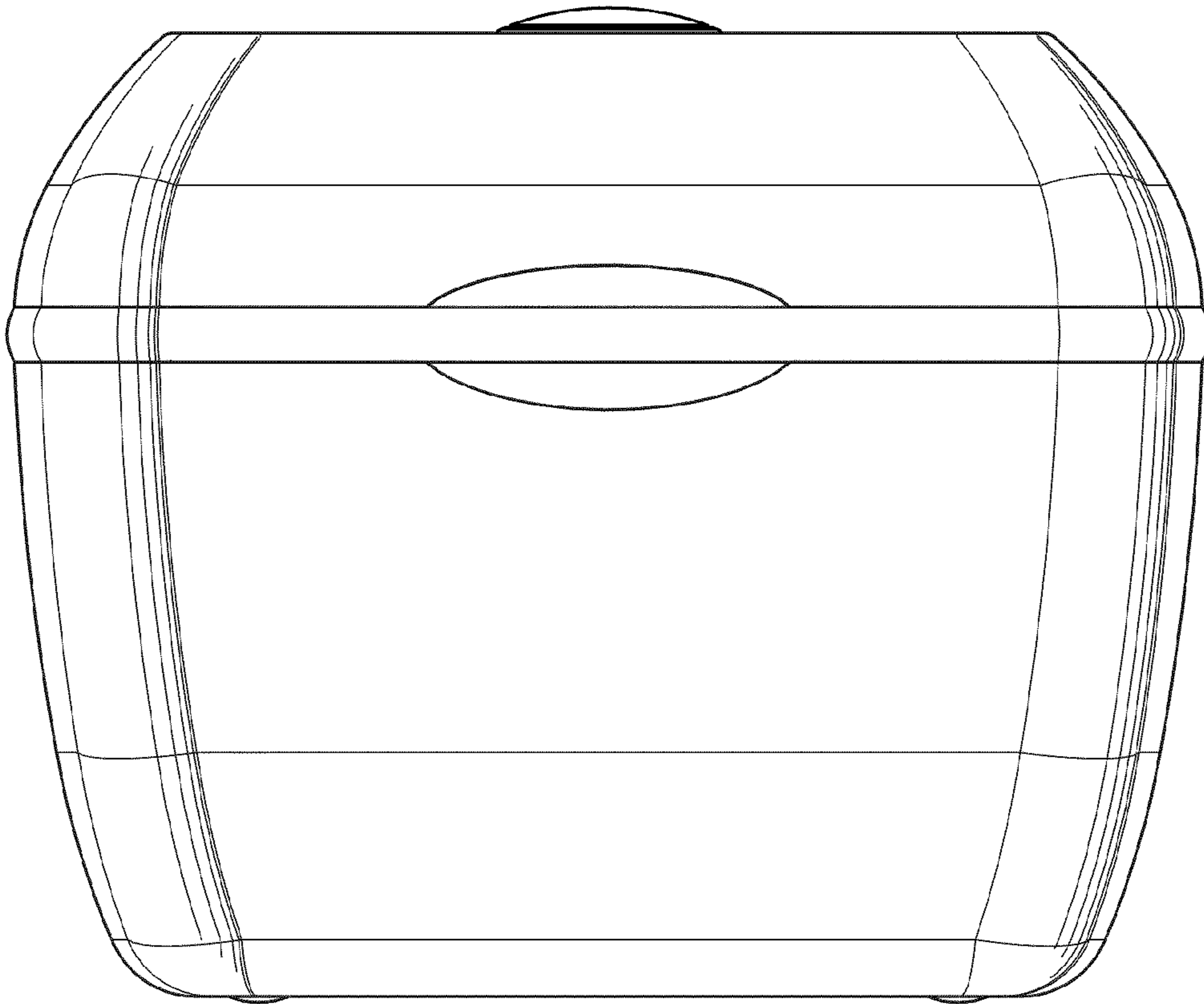


FIG. 3

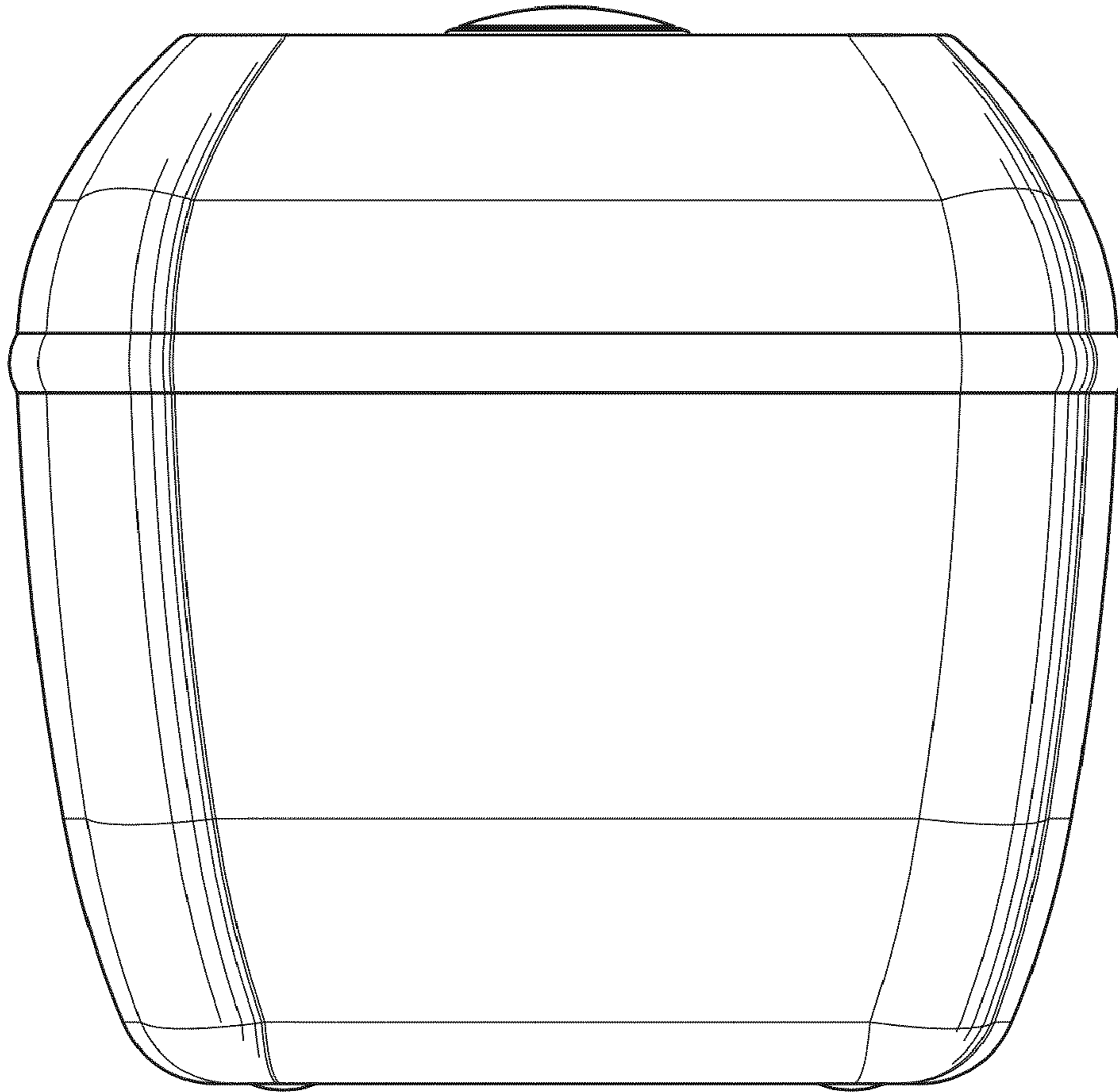


FIG. 4

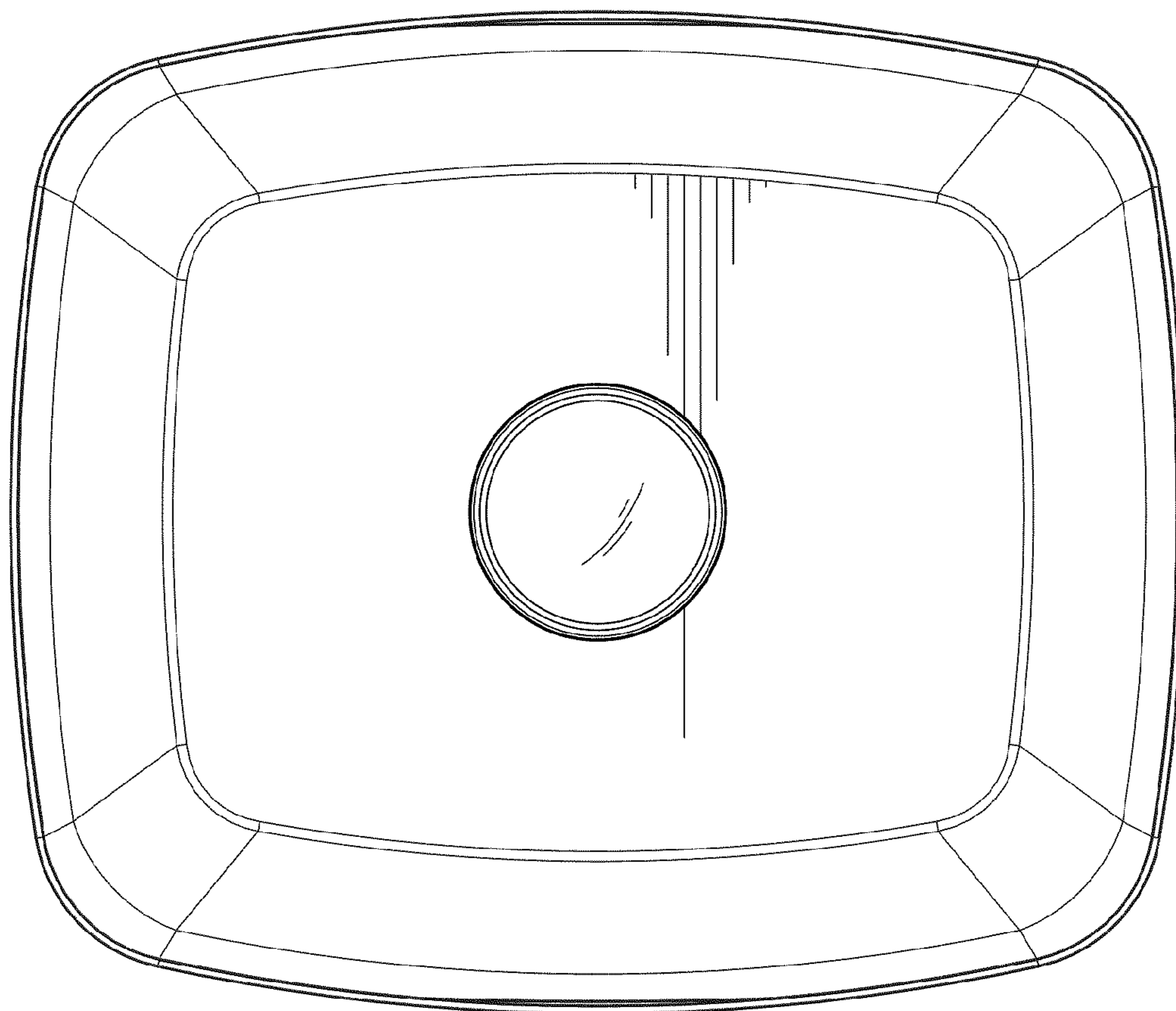


FIG. 5

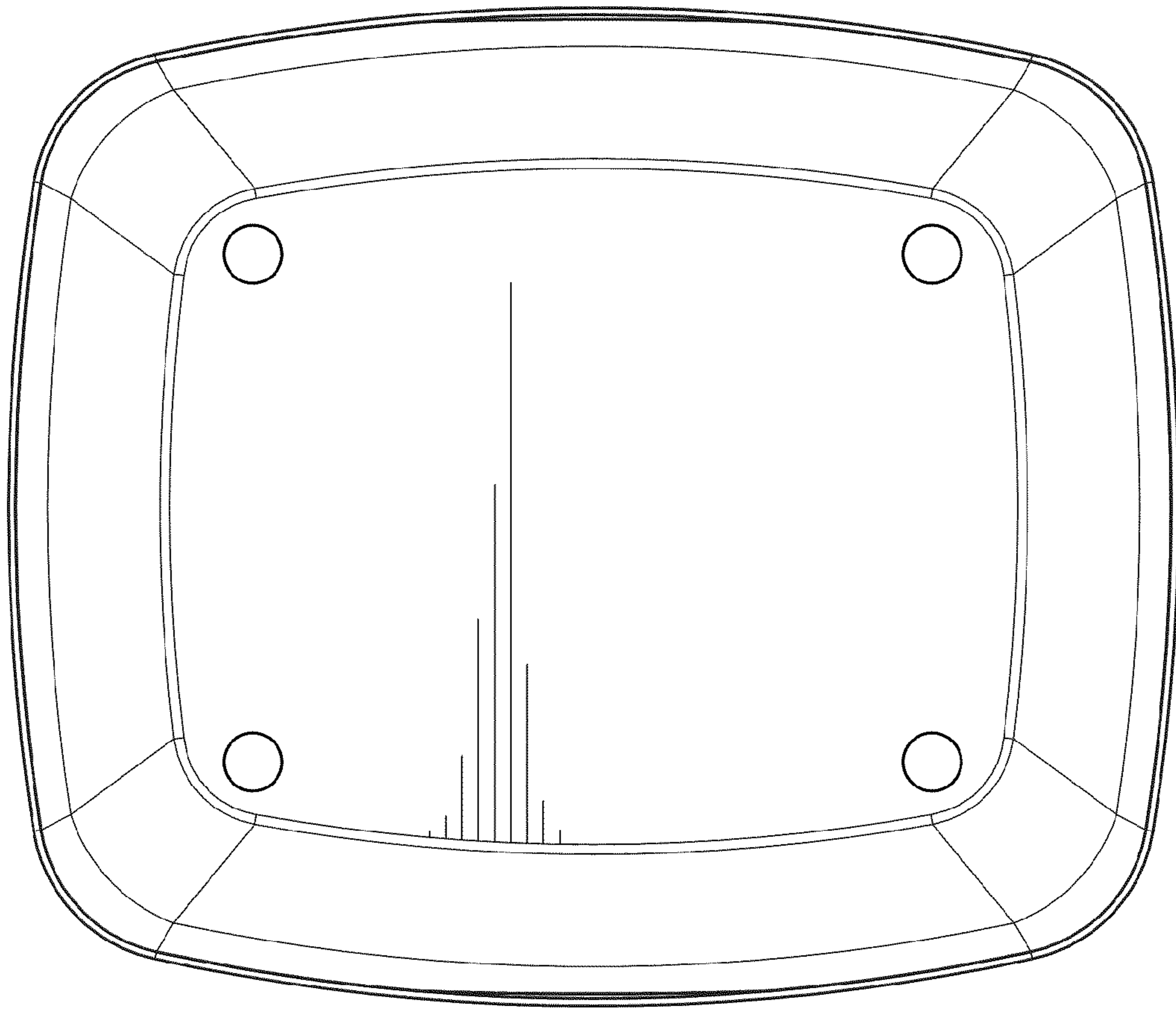


FIG. 6