



US00D655075S

(12) **United States Design Patent**  
**Finch**

(10) **Patent No.:** **US D655,075 S**  
(45) **Date of Patent:** **\*\* Mar. 6, 2012**

(54) **PORTION OF A SHOE UPPER**

(75) Inventor: **Shannon Finch**, Lawndale, CA (US)

(73) Assignee: **Dynasty Footwear, Ltd.**, El Segundo, CA (US)

(\*\*) Term: **14 Years**

(21) Appl. No.: **29/375,940**

(22) Filed: **Sep. 29, 2010**

(51) **LOC (9) Cl.** ..... **02-99**

(52) **U.S. Cl.** ..... **D2/946; D2/923; D2/972**

(58) **Field of Classification Search** ..... D2/896,  
D2/902, 906-908, 923, 943, 944, 946, 969,  
D2/972-974; 36/45-49, 50.1, 77 M, 77 R,  
36/83, 88, 113, 114, 126-131; D5/58, 59,  
D5/61

See application file for complete search history.

(56) **References Cited**

**U.S. PATENT DOCUMENTS**

D14,605 S \* 2/1884 Hiller ..... D2/974

(Continued)

*Primary Examiner* — Dominic Simone

(74) *Attorney, Agent, or Firm* — Joseph C. Swan, P.C.

(57) **CLAIM**

The ornamental design for a portion of a shoe upper, as shown and described.

**DESCRIPTION**

FIG. 1 is a front elevational view of a portion of a shoe upper according to a first representative embodiment of the present invention, said portion having the illustrated pattern.

FIG. 2 is a rear elevational view of the portion of a shoe upper according to a first representative embodiment of the present invention, said portion having the illustrated pattern.

FIG. 3 is a top plan view of the portion of a shoe upper according to a first representative embodiment of the present invention, said portion having the illustrated pattern.

FIG. 4 is a right side elevational view of the portion of a shoe upper according to a first representative embodiment of the present invention, said portion having the illustrated pattern. FIG. 5 is a left side elevational view of the portion of a shoe upper according to a first representative embodiment of the present invention, said portion having the illustrated pattern. FIG. 6 is a front elevational view of a portion of a shoe upper on an unclaimed shoe according to a second representative embodiment of the present invention, said portion having the illustrated pattern.

FIG. 7 is a rear elevational view of the portion of a shoe upper according to a second representative embodiment of the present invention, said portion having the illustrated pattern.

FIG. 8 is a top plan view of the portion of a shoe upper according to a second representative embodiment of the present invention, said portion having the illustrated pattern.

FIG. 9 is a right side elevational view of the portion of a shoe upper (showing the inner side, given that the present example pertains to a left shoe) according to a second representative embodiment of the present invention, said portion having the illustrated pattern.

FIG. 10 is a left side elevational view of the portion of a shoe upper (showing the outer side, given that the present example pertains to a left shoe) according to a second representative embodiment of the present invention, said portion having the illustrated pattern.

FIG. 11 is a front elevational view of a portion of a shoe upper on an unclaimed shoe according to a third representative embodiment of the present invention, said portion having the illustrated pattern.

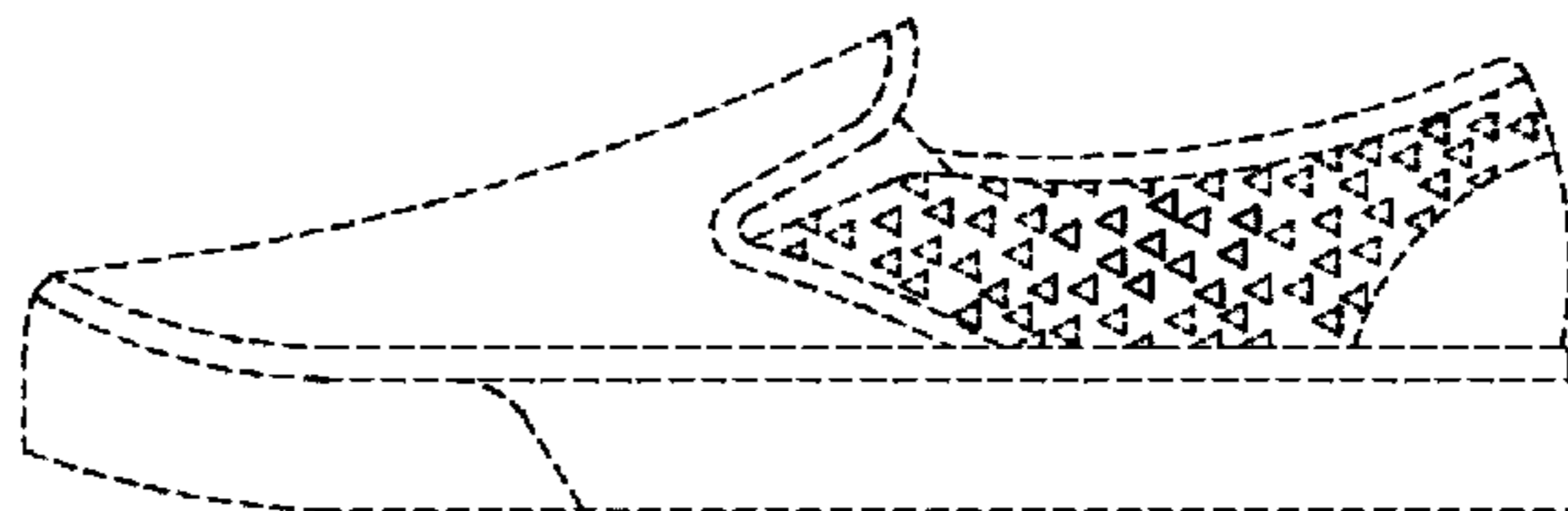
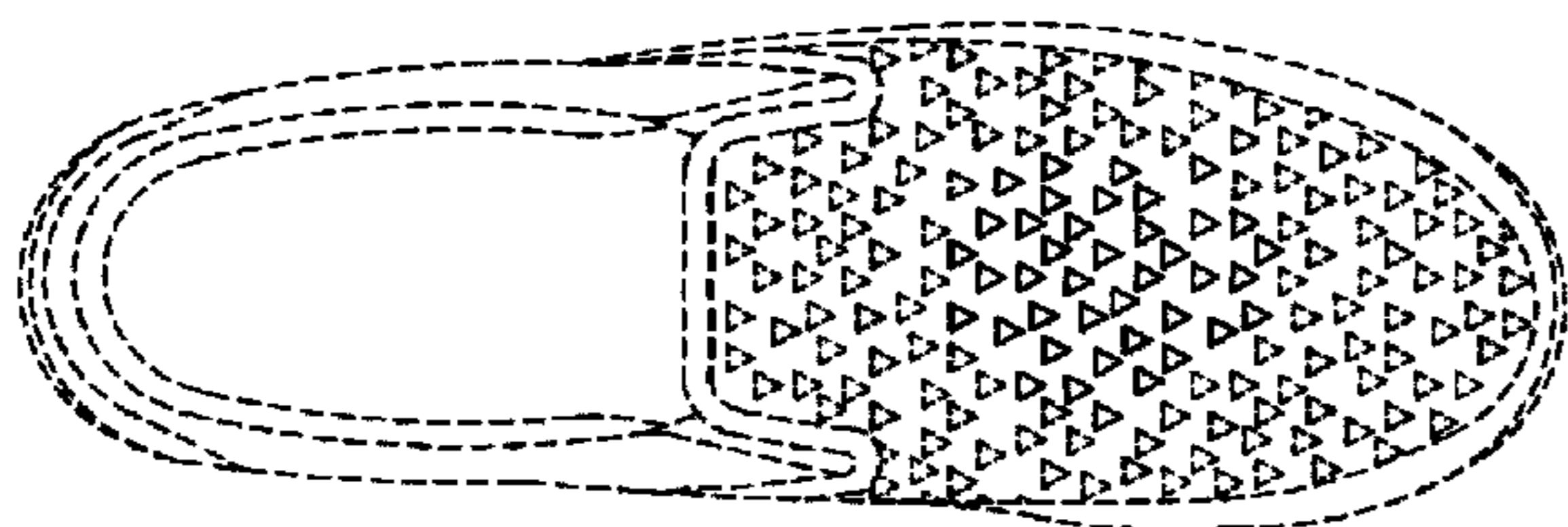
FIG. 12 is a rear elevational view of the portion of a shoe upper according to a third representative embodiment of the present invention, said portion having the illustrated pattern.

FIG. 13 is a top plan view of the portion of a shoe upper according to a third representative embodiment of the present invention, said portion having the illustrated pattern.

FIG. 14 is a right side elevational view of the portion of a shoe upper according to a third representative embodiment of the present invention, said portion having the illustrated pattern; and,

FIG. 15 is a left side elevational view of the portion of a shoe upper according to a third representative embodiment of the present invention, said portion having the illustrated pattern. The portions shown in broken lines are solely for the purpose of illustrating context and form no part of the claimed design.

**1 Claim, 6 Drawing Sheets**



# US D655,075 S

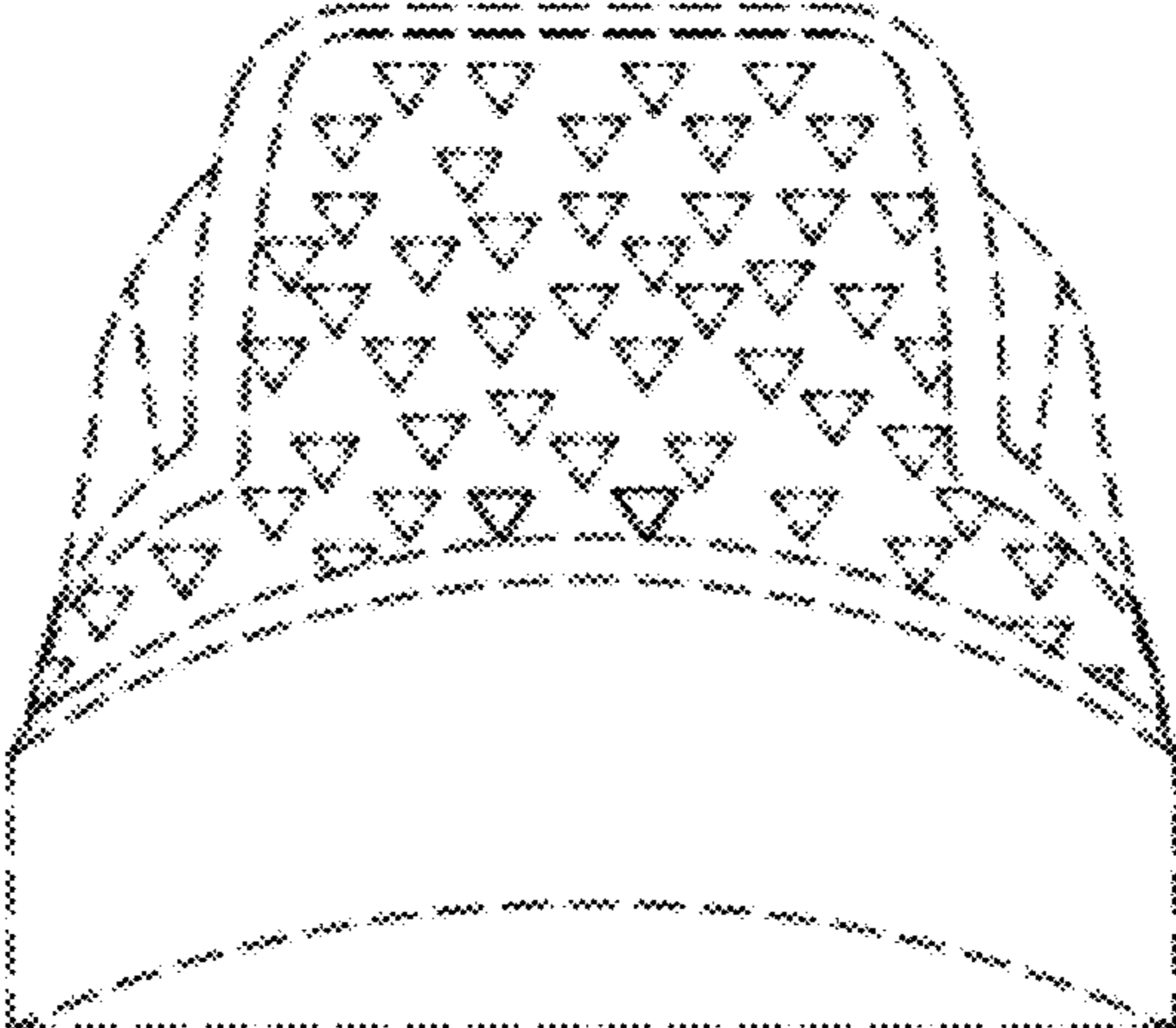
Page 2

## U.S. PATENT DOCUMENTS

D18,384 S *	6/1888	Hiller .....	D2/974	D175,983 S *	11/1955	Sandler .....	D2/923
D39,059 S *	2/1908	Landis .....	D5/61	D176,339 S *	12/1955	Joyce .....	D2/923
D65,737 S *	10/1924	Groman .....	D5/61	D246,943 S *	1/1978	Fukuoka .....	D2/923
1,695,225 A	12/1928	Bohr		D246,944 S *	1/1978	Fukuoka .....	D2/923
D87,530 S *	8/1932	Leverone .....	D2/973	D326,953 S	6/1992	Hatfield	
D89,123 S	1/1933	Casey		D349,394 S	8/1994	Hatfield	
D90,758 S *	9/1933	Gantz .....	D2/974	D354,844 S *	1/1995	Rinehart .....	D2/923
D91,007 S *	11/1933	Bernstein .....	D2/974	D382,388 S *	8/1997	Genuin .....	D2/906
D94,283 S	1/1935	Saugues		D408,983 S	5/1999	Maxwell	
D97,518 S	11/1935	Abowitz		D409,367 S	5/1999	Maxwell	
D98,338 S	1/1936	Liberty		D458,442 S *	6/2002	Matis .....	D2/969
D98,347 S	1/1936	Liberty		D470,996 S *	3/2003	Bronga .....	D2/923
D98,350 S	1/1936	Liberty		D472,697 S	4/2003	Yamazaki	
D104,964 S	6/1937	Doucette		D482,188 S *	11/2003	Belley et al. ....	D2/969
D107,033 S	11/1937	Rosenston		D485,671 S	1/2004	Estey	
D107,260 S	11/1937	Rosenston		D504,011 S *	4/2005	Robbins et al. ....	D2/969
D107,886 S	1/1938	Snyder		D514,793 S *	2/2006	Corbi Rico .....	D2/969
D107,962 S *	1/1938	Lanz .....	D2/923	D546,053 S	7/2007	Mayden	
D110,818 S	8/1938	Odenchrants		D568,039 S	5/2008	Kuerbis	
D112,052 S	11/1938	Calderazzo		D572,452 S	7/2008	Kuerbis	
D118,137 S *	12/1939	Pick .....	D2/923	D575,480 S	8/2008	Zimmerman	
D118,141 S	12/1939	Weyand		D586,089 S *	2/2009	Gwon .....	D2/923
D173,924 S *	1/1955	Weiss .....	D2/974	D624,297 S *	9/2010	Henderson .....	D2/972

\* cited by examiner

*FIG. 1*



*FIG. 2*

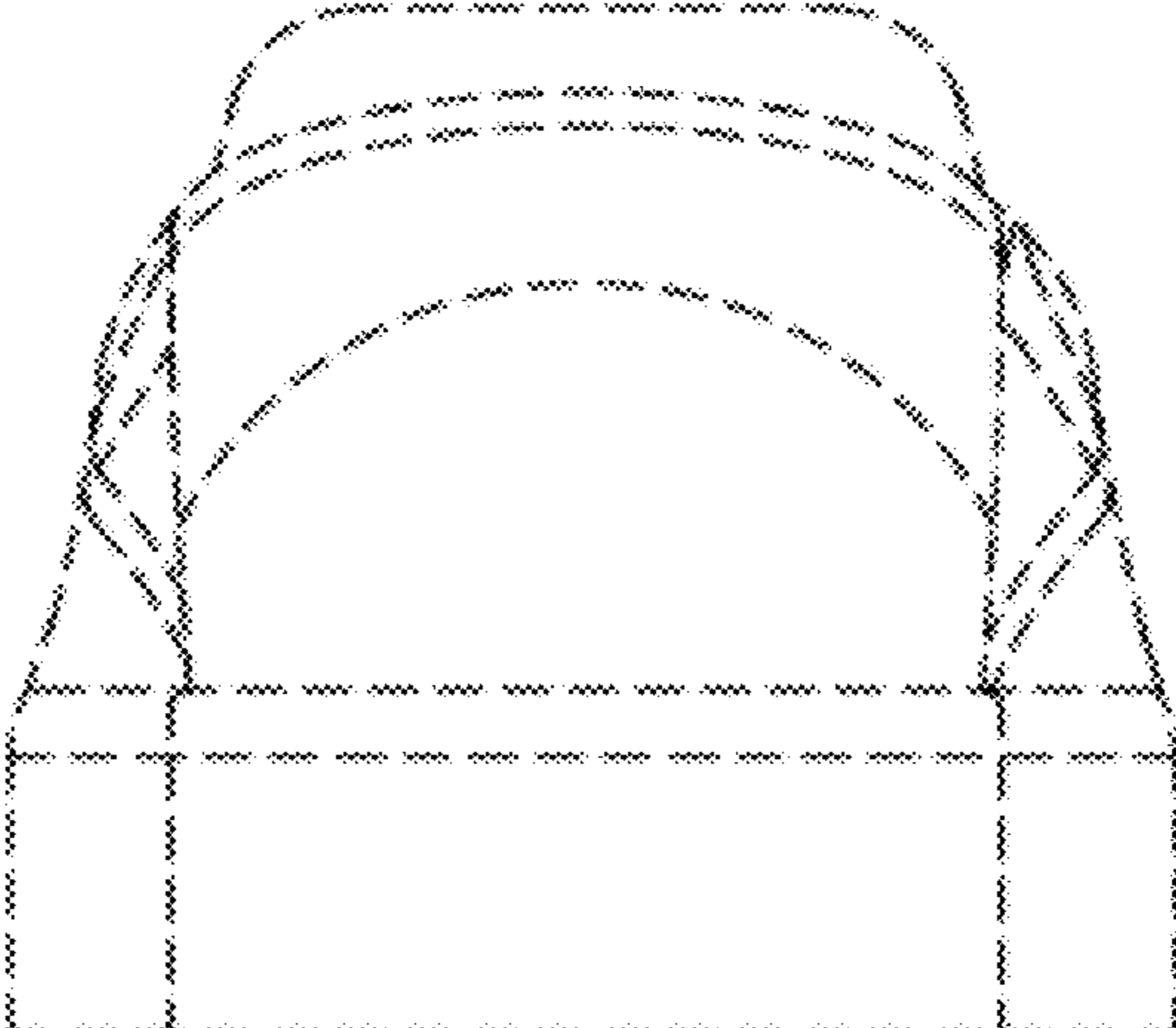




FIG. 3

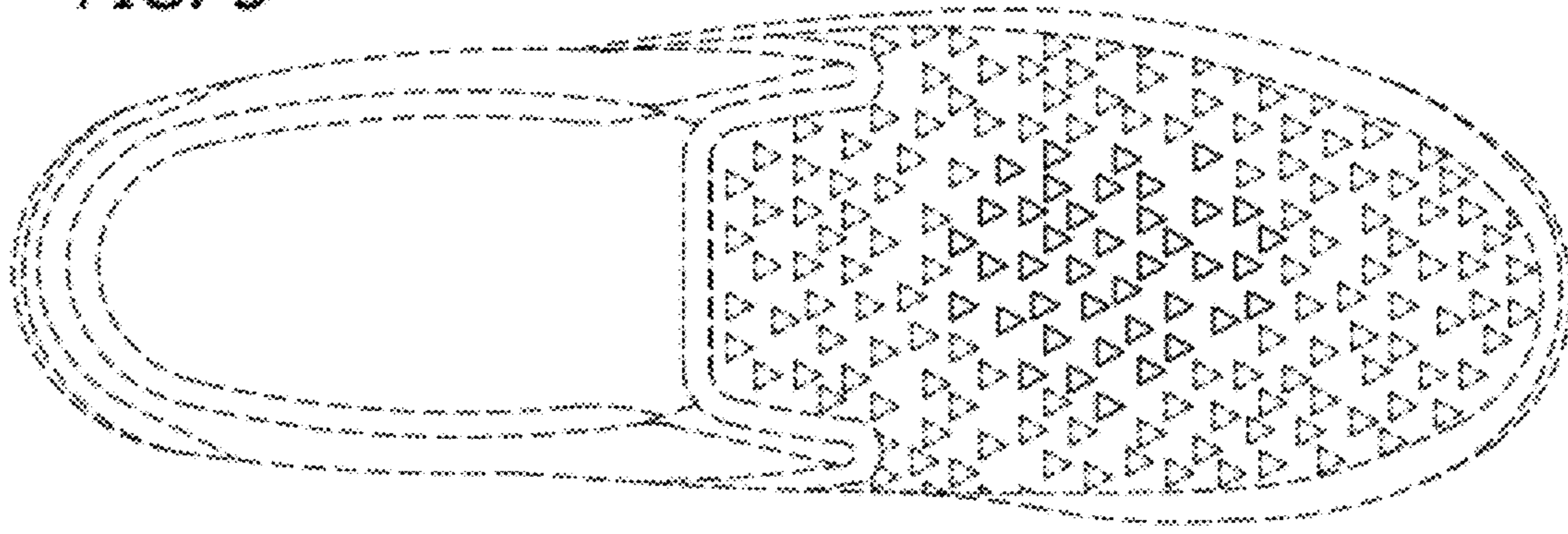


FIG. 4

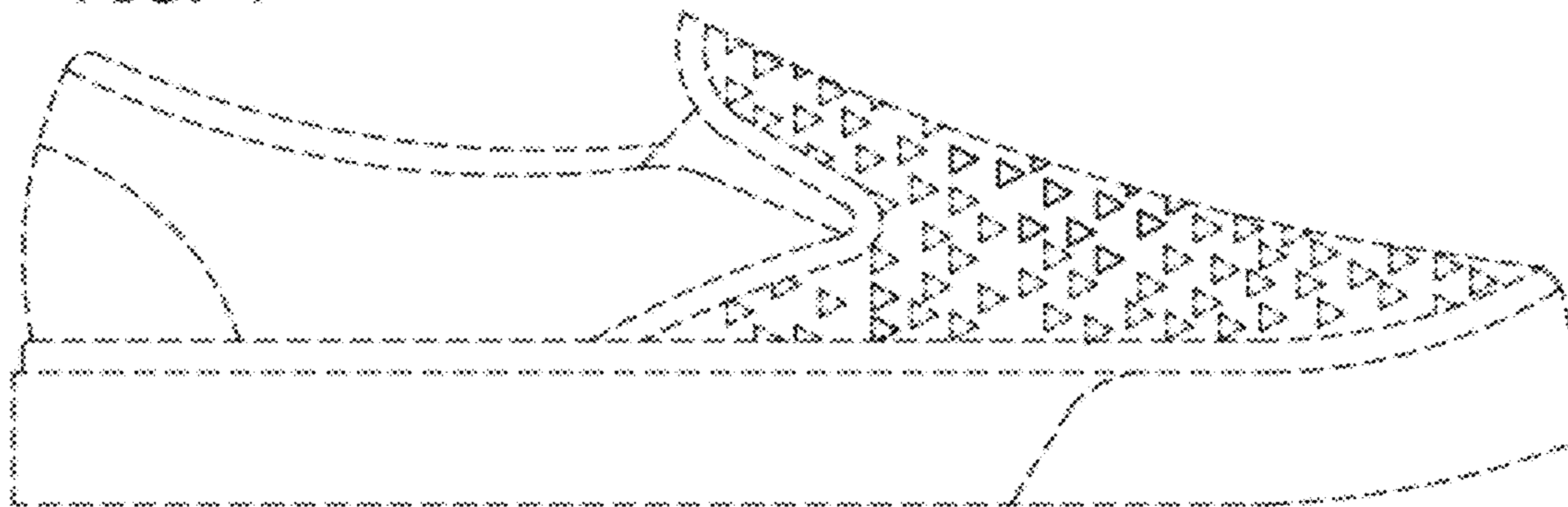
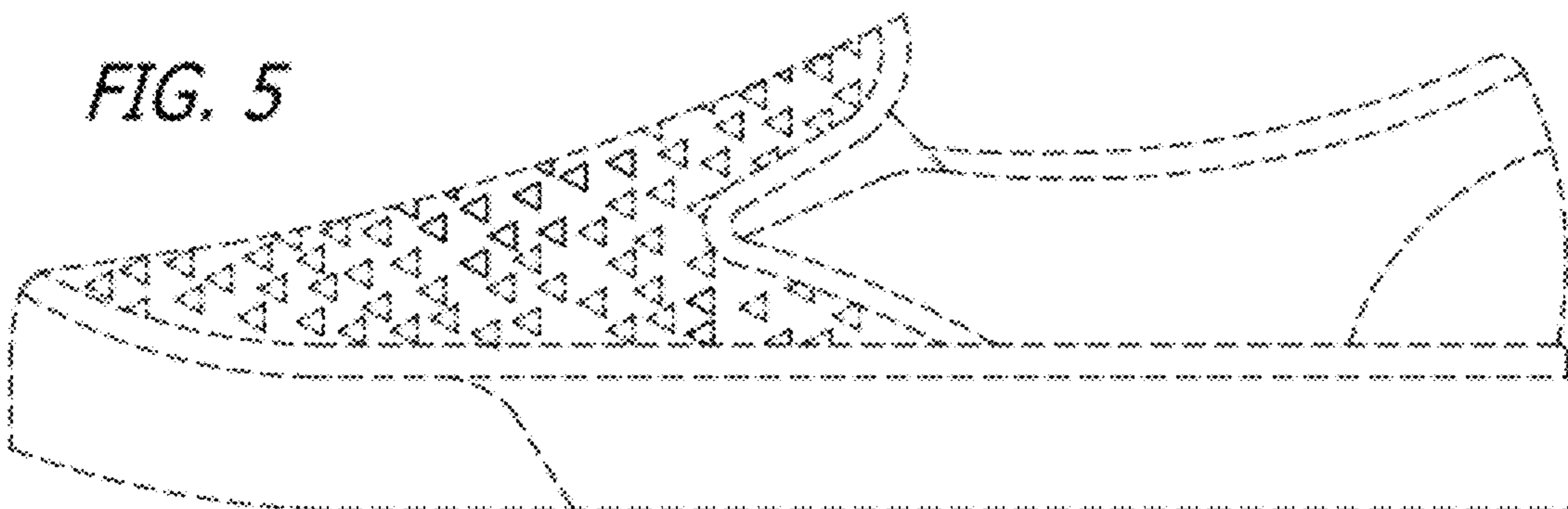
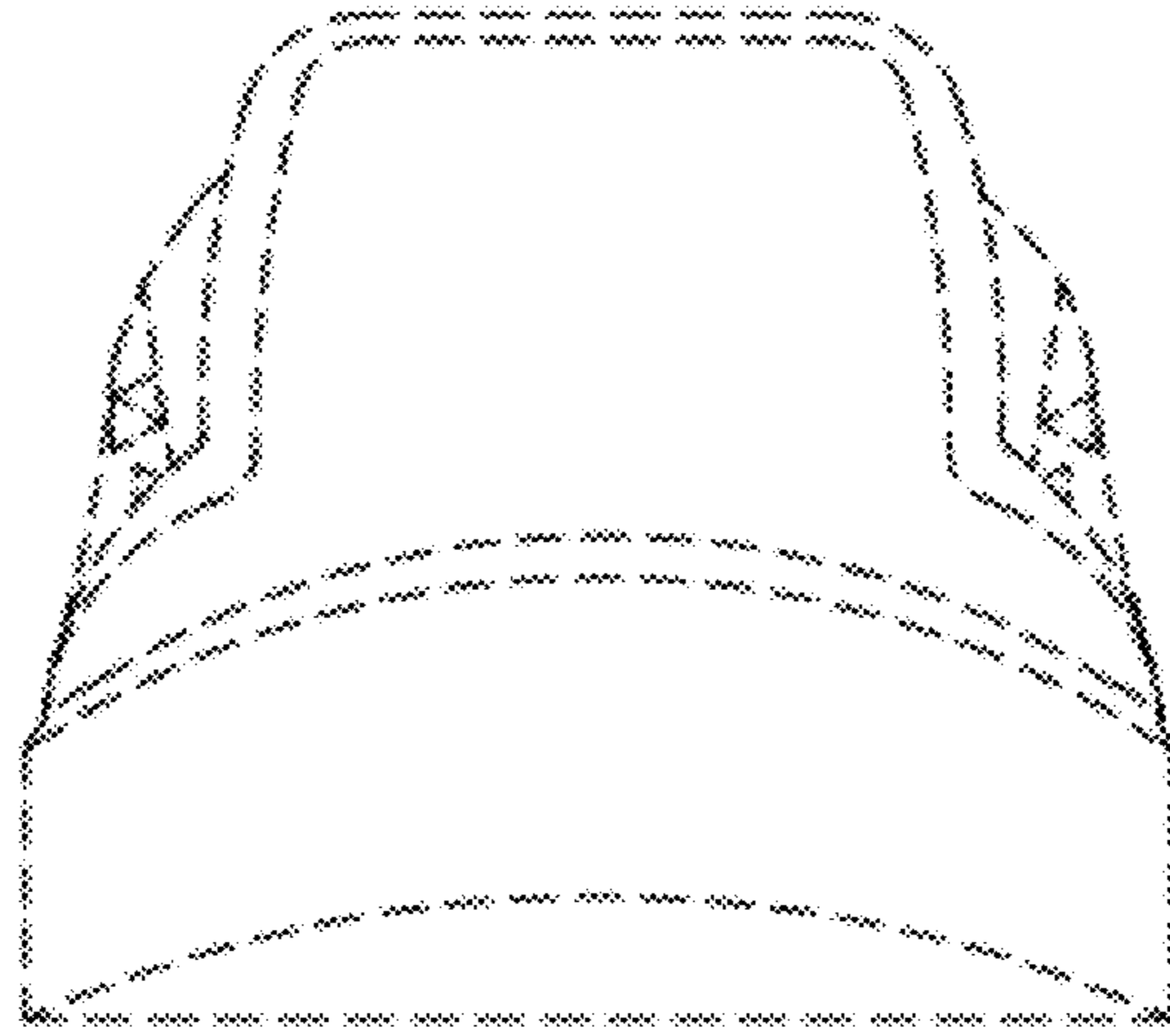


FIG. 5



*FIG. 6*



*FIG. 7*

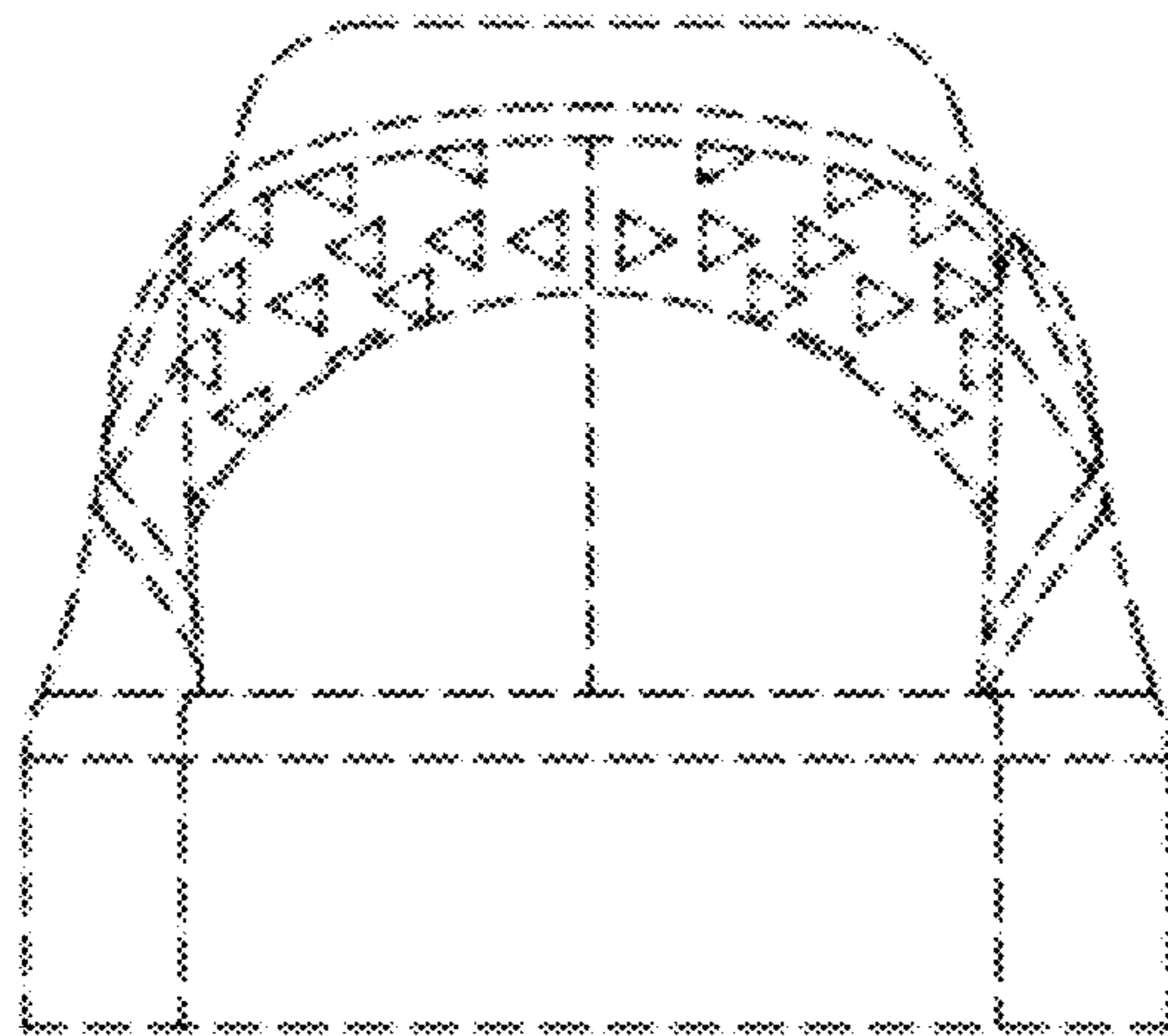


FIG. 8

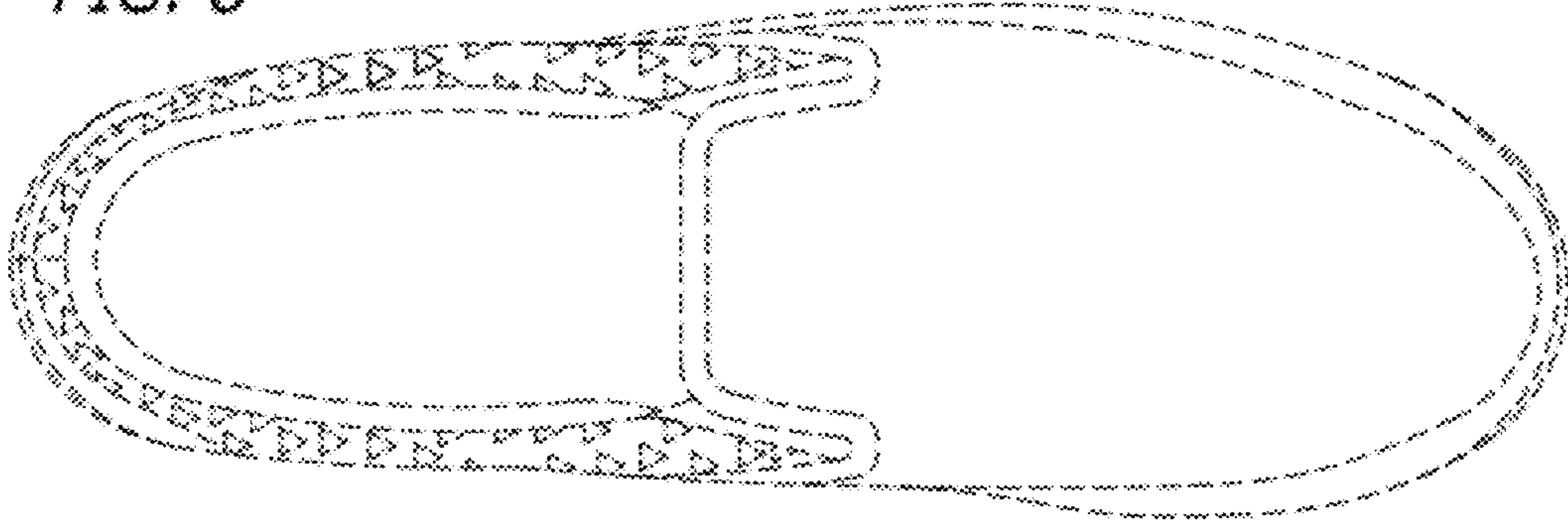


FIG. 9

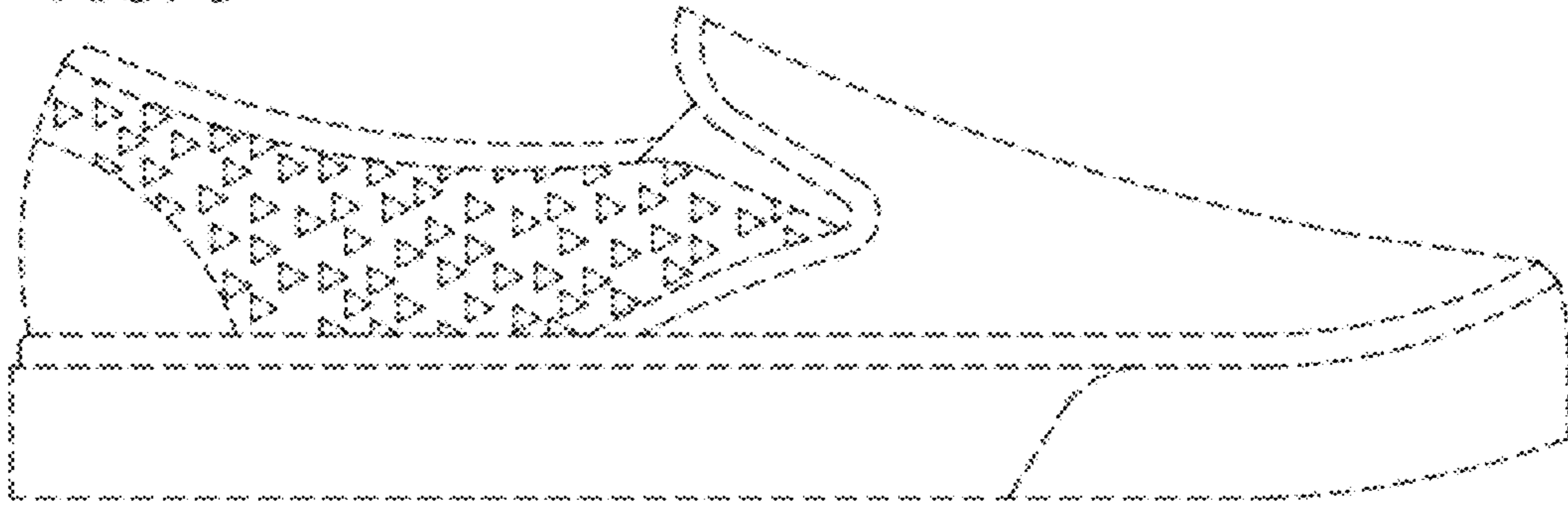
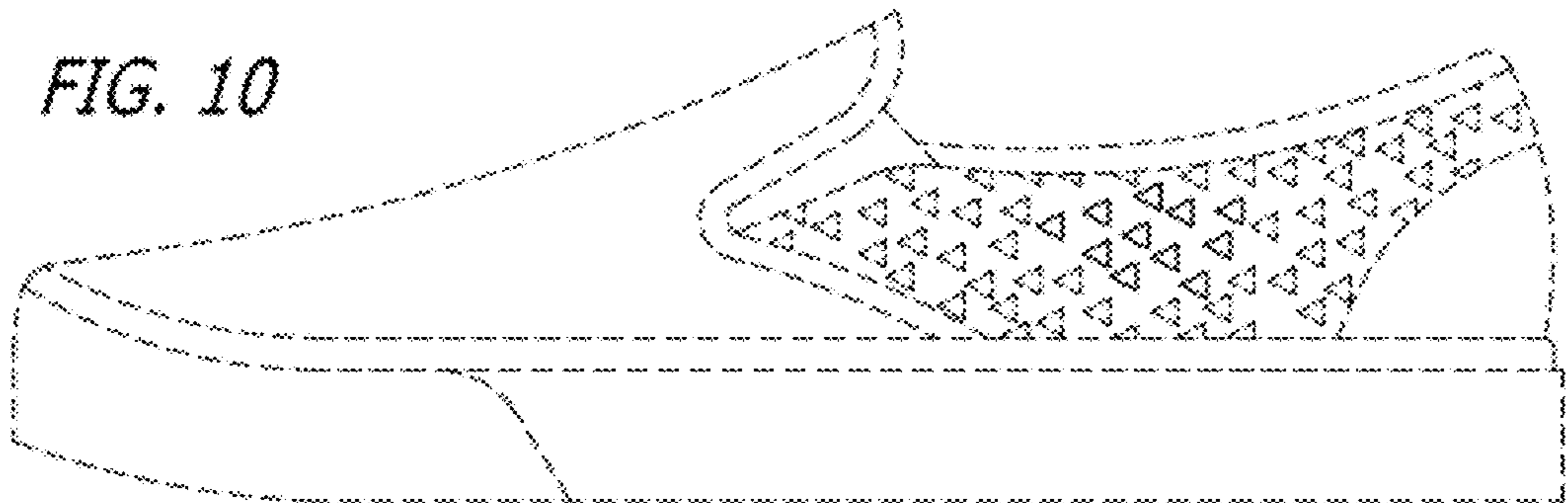
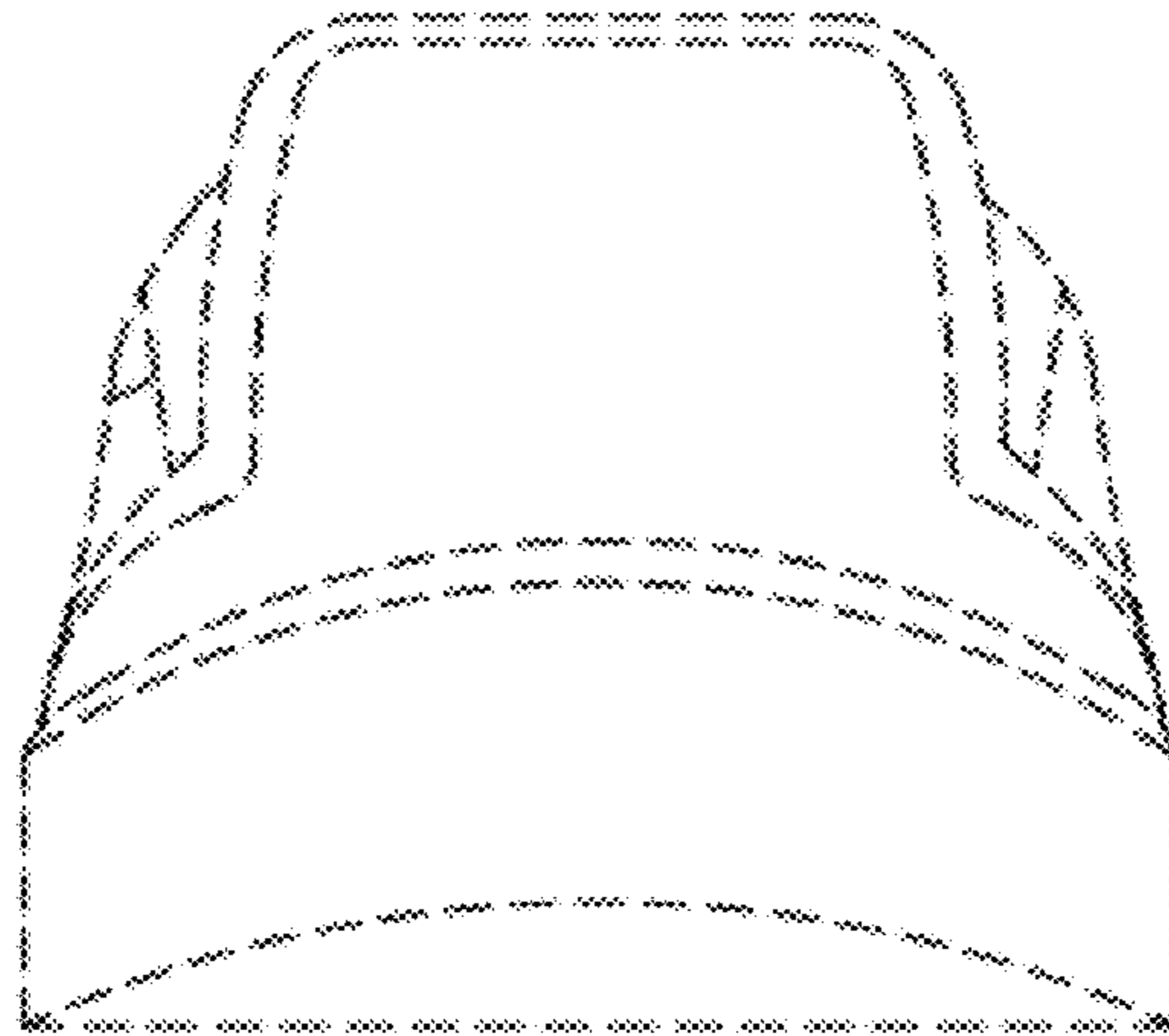


FIG. 10



*FIG. 11*



*FIG. 12*

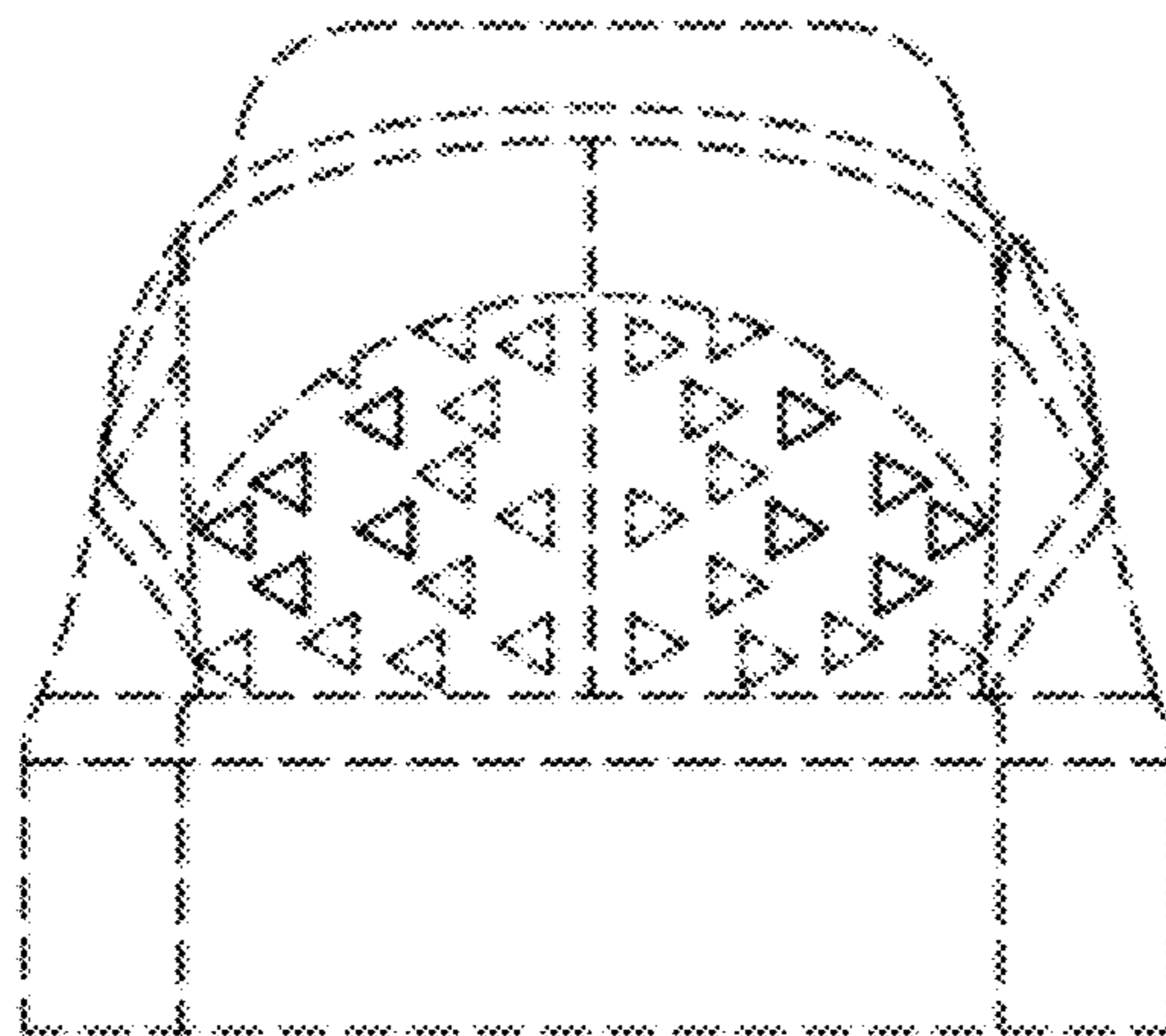




FIG. 13

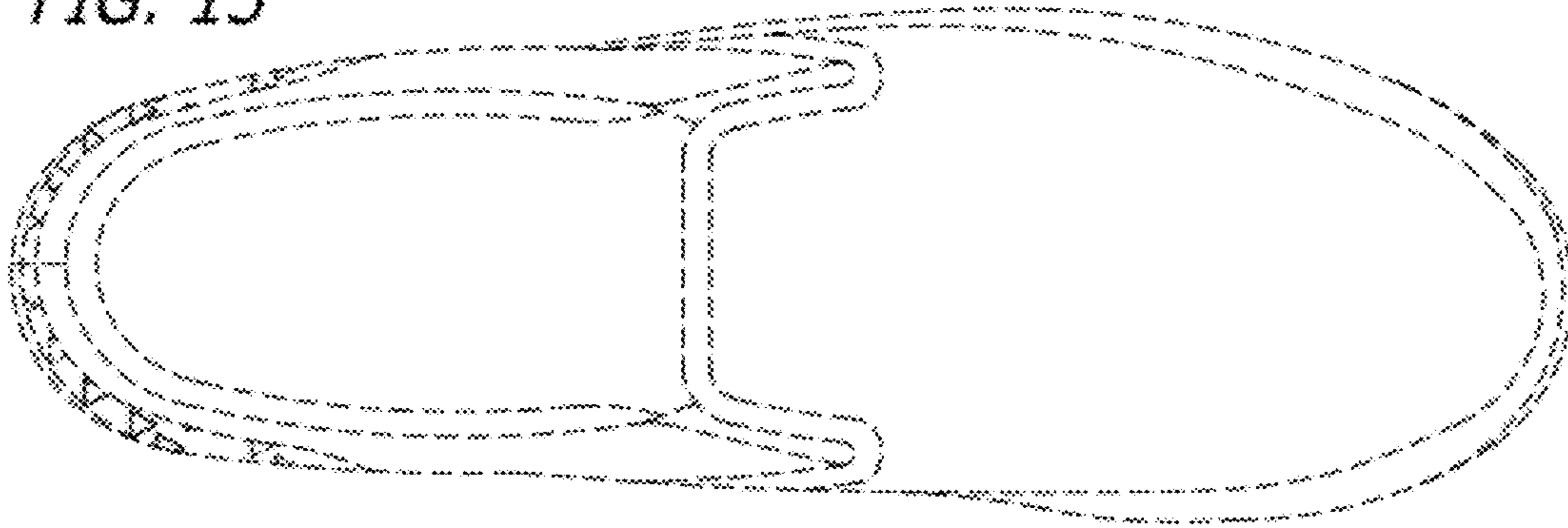


FIG. 14

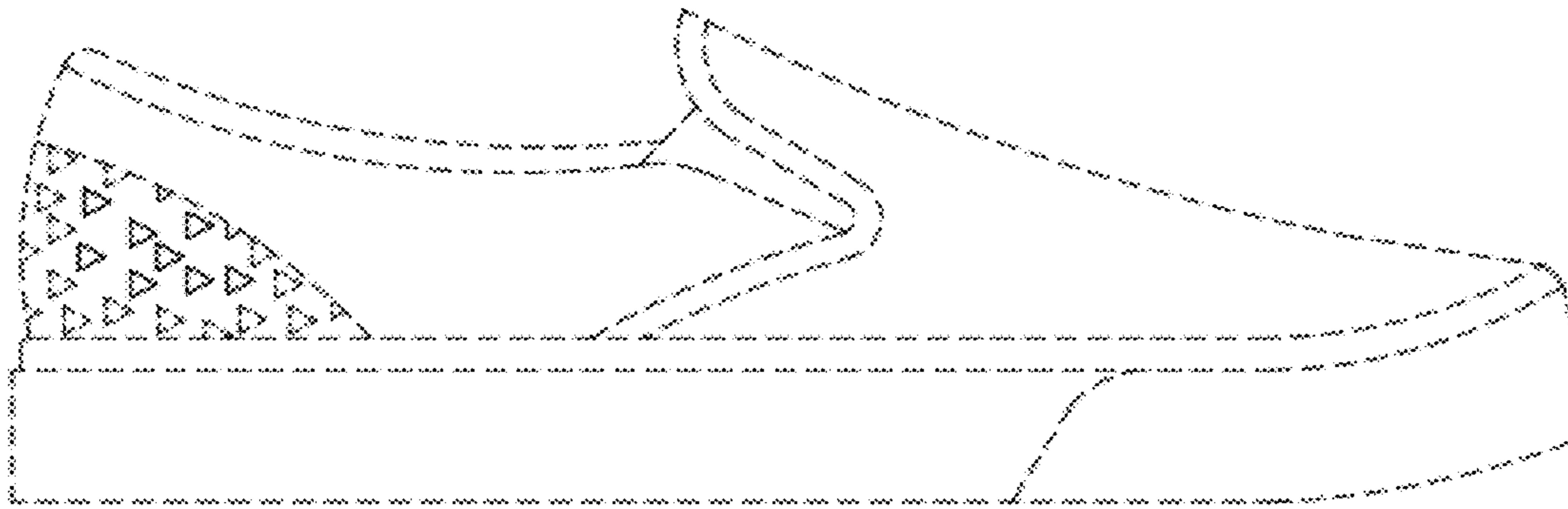


FIG. 15

