



US00D655063S

(12) **United States Design Patent**
Kravitz et al.

(10) **Patent No.:** **US D655,063 S**

(45) **Date of Patent:** **** Feb. 28, 2012**

(54) **CART**

(75) Inventors: **David Kravitz**, Barrington Hills, IL (US); **Aaron Randall Ferber**, Chicago, IL (US); **Ross Lockwood**, Chicago, IL (US); **Rodney Hal Monson**, Waukegan, IL (US); **Evan David Shapiro**, Chicago, IL (US)

(73) Assignee: **Lifeline Scientific, Inc.**, Itasca, IL (US)

(**) Term: **14 Years**

(21) Appl. No.: **29/390,857**

(22) Filed: **Apr. 29, 2011**

(51) **LOC (9) Cl.** **12-02**

(52) **U.S. Cl.** **D34/17**

(58) **Field of Classification Search** D34/12-27;
280/47.35, 47.34, 79.11, 79.2, 79.3, 47.24
See application file for complete search history.

(56) **References Cited**

U.S. PATENT DOCUMENTS

D142,171 S *	8/1945	Lion	D34/21
D177,657 S *	5/1956	Bedol	D6/430
D191,393 S *	9/1961	Molitor	D34/21
D236,705 S *	9/1975	Woekener	D34/18
4,249,749 A *	2/1981	Collier	280/35
4,655,466 A *	4/1987	Hanaoka	280/47.371
5,078,414 A *	1/1992	Court et al.	280/42
D324,439 S *	3/1992	Churchill et al.	D34/17

5,154,441 A *	10/1992	White et al.	280/645
D373,668 S *	9/1996	Linder	D34/21
D405,580 S *	2/1999	Vanderminden	D34/24
D425,280 S *	5/2000	vom Braucke et al.	D34/21
7,204,509 B1 *	4/2007	Vanderminden	280/652
7,377,525 B1 *	5/2008	Whitmore	280/47.34
D578,269 S *	10/2008	Van Landingham, Jr.	D34/17
2002/0030337 A1 *	3/2002	Calmeise et al.	280/47.35
2004/0070179 A1 *	4/2004	Miller et al.	280/651

* cited by examiner

Primary Examiner — Cynthia Ramirez

(74) *Attorney, Agent, or Firm* — Oliff & Berridge, PLC

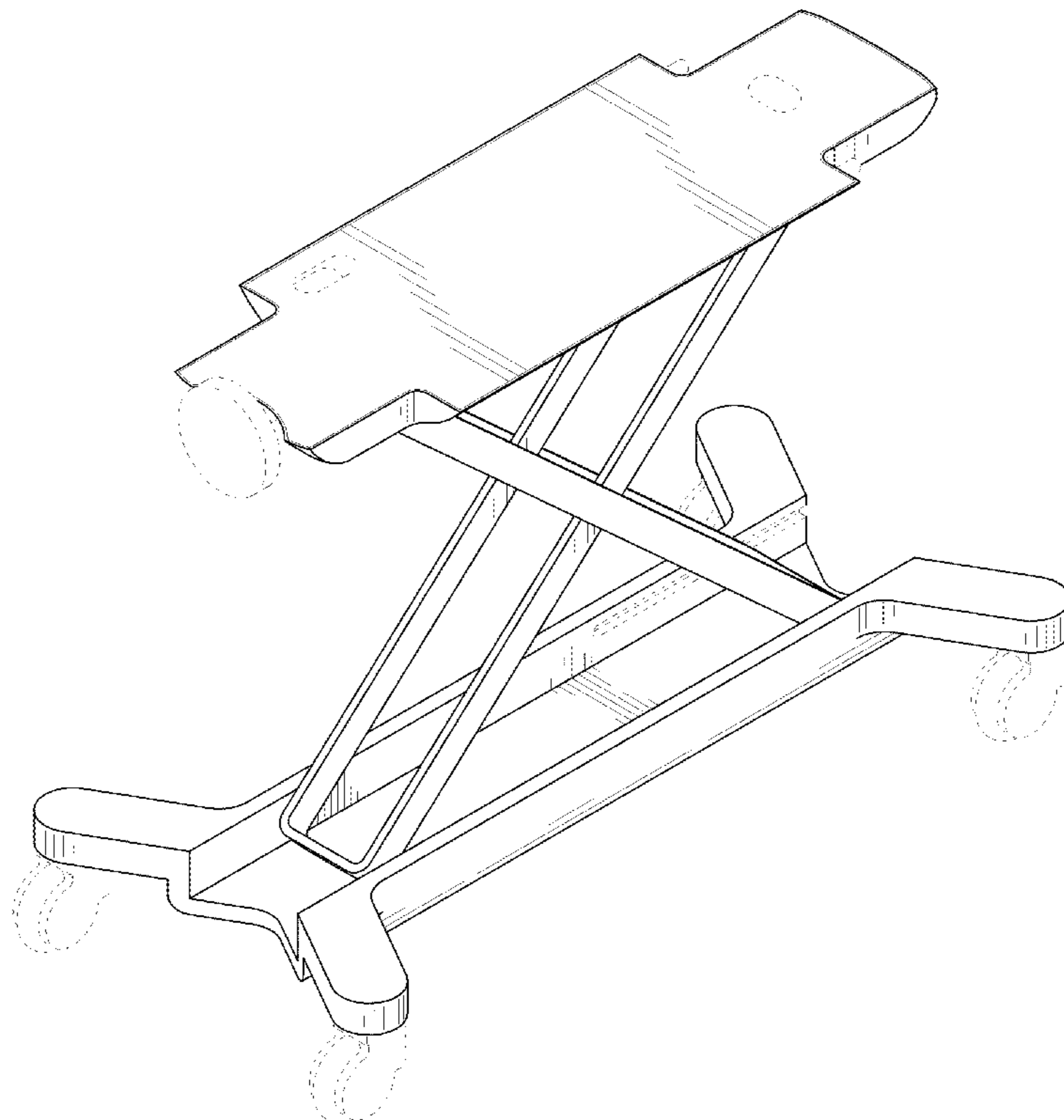
(57) **CLAIM**

The ornamental design for a cart, as shown and described.

DESCRIPTION

FIG. 1 is a perspective view of a cart;
FIG. 2 is a front view thereof;
FIG. 3 is a top view thereof;
FIG. 4 is a right-side view thereof;
FIG. 5 is a left-side view thereof;
FIG. 6 is a rear view thereof;
FIG. 7 is a bottom view thereof; and,
FIG. 8 is another perspective view thereof.
The broken lines depict environmental subject matter only and form no part of the claimed design.

1 Claim, 8 Drawing Sheets



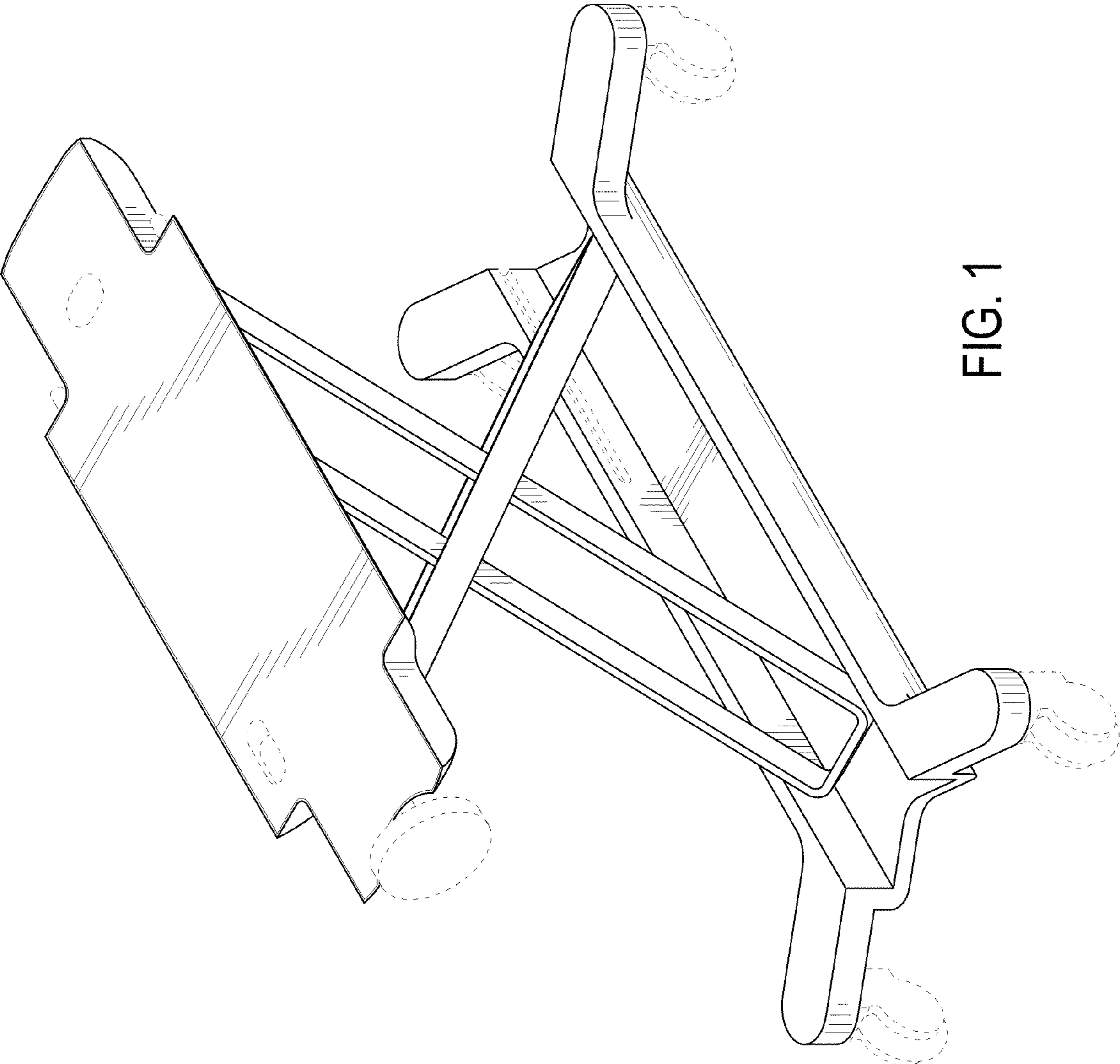


FIG. 1

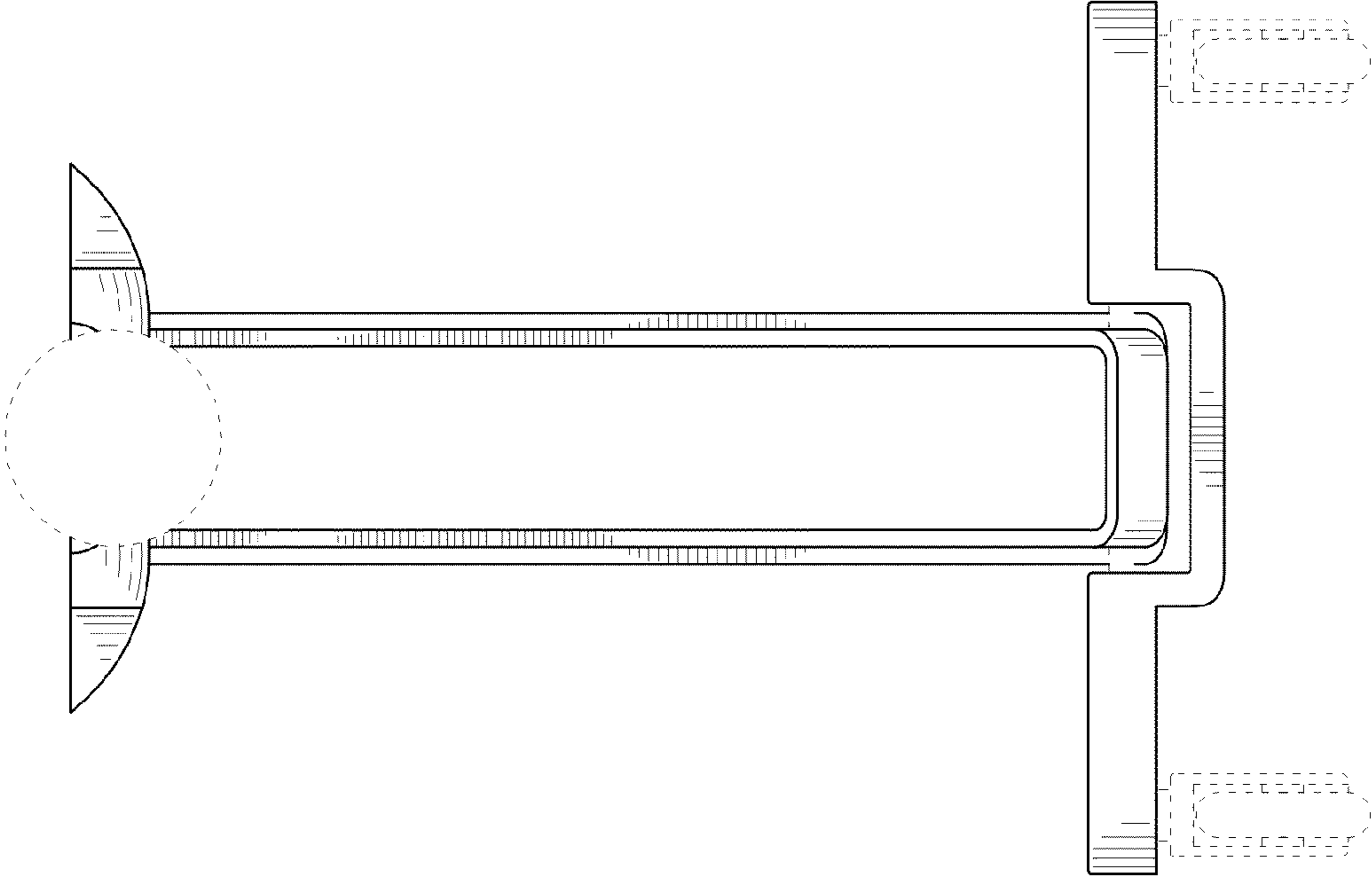


FIG. 2

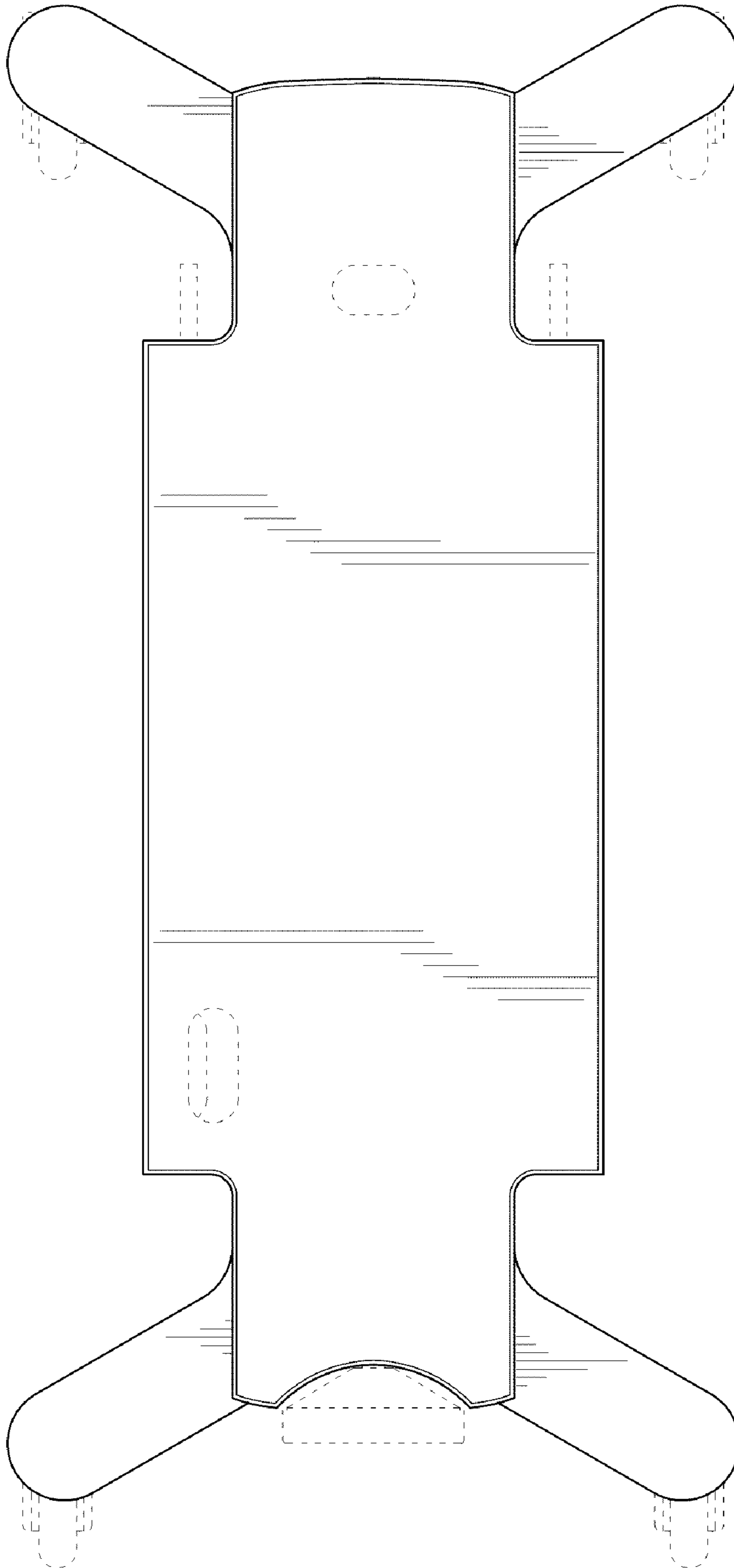


FIG. 3

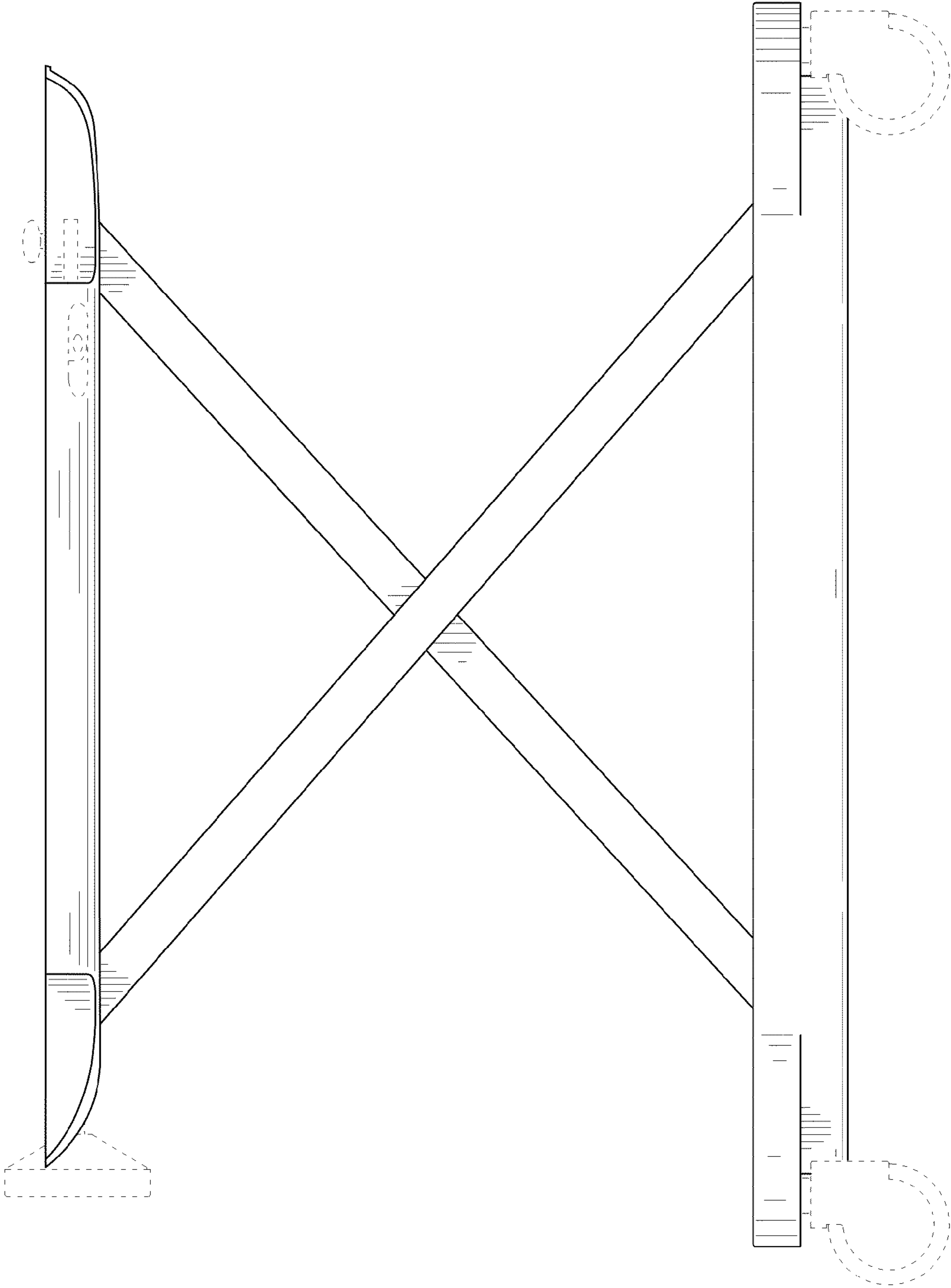


FIG. 4

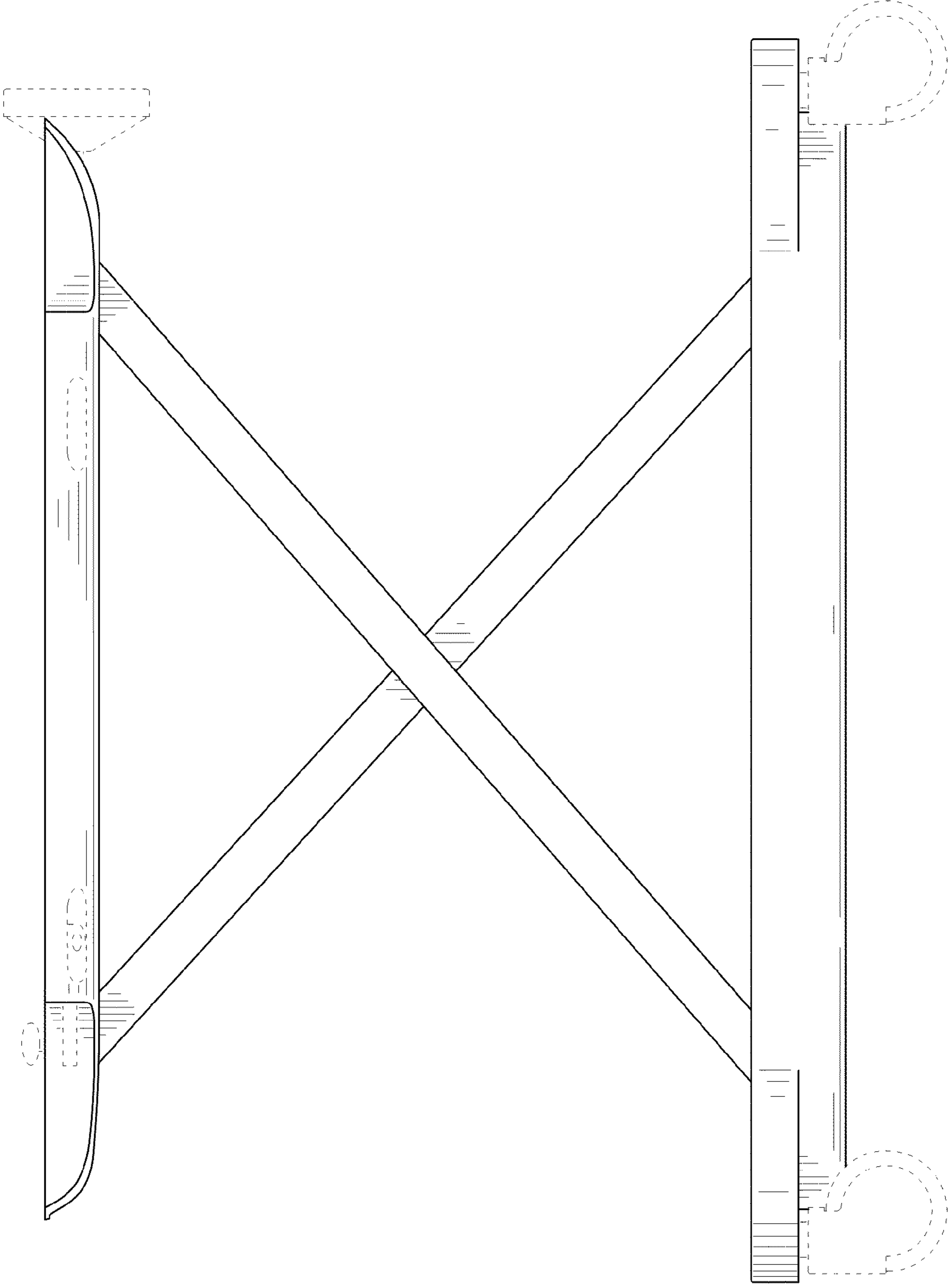


FIG. 5

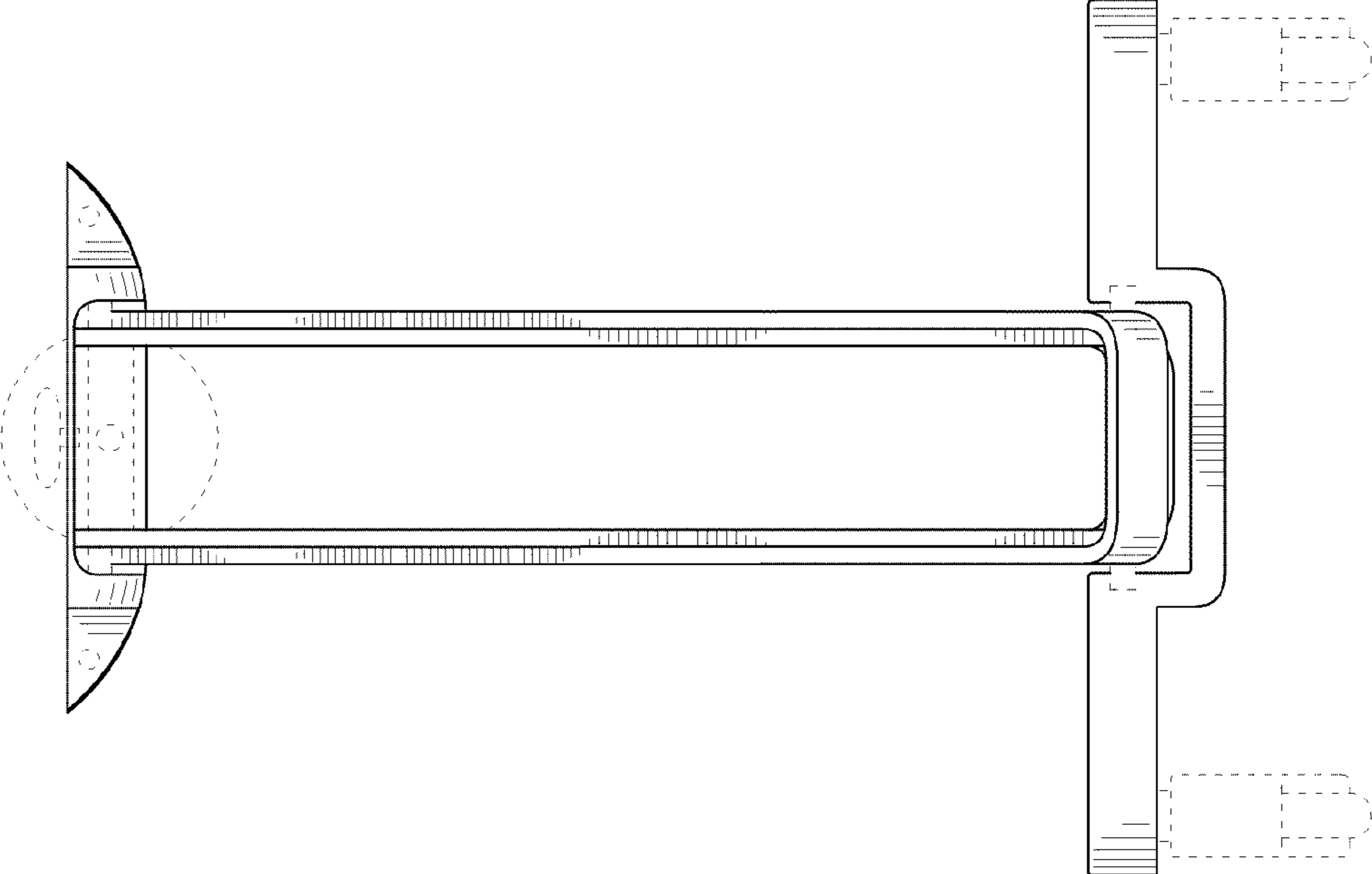


FIG. 6

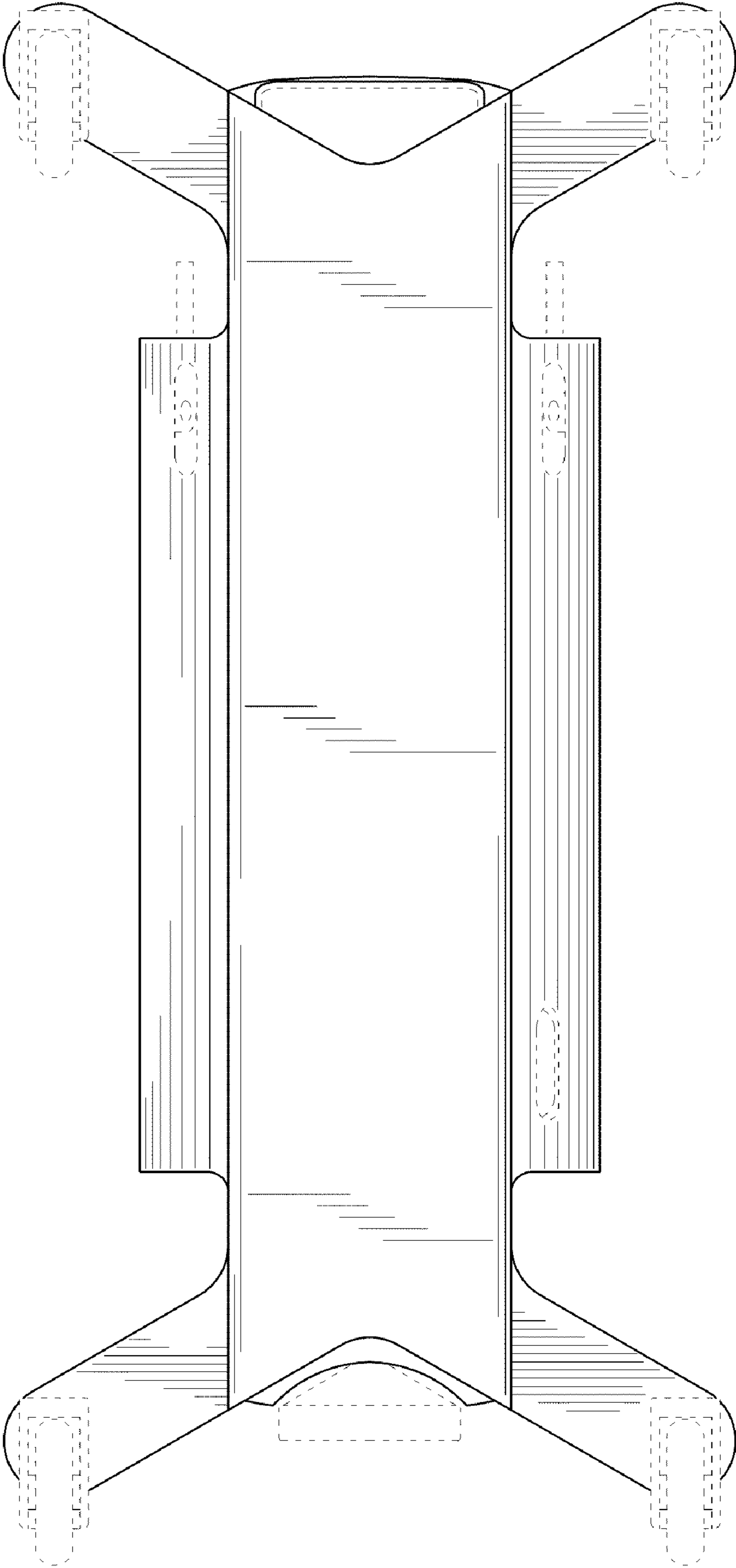


FIG. 7

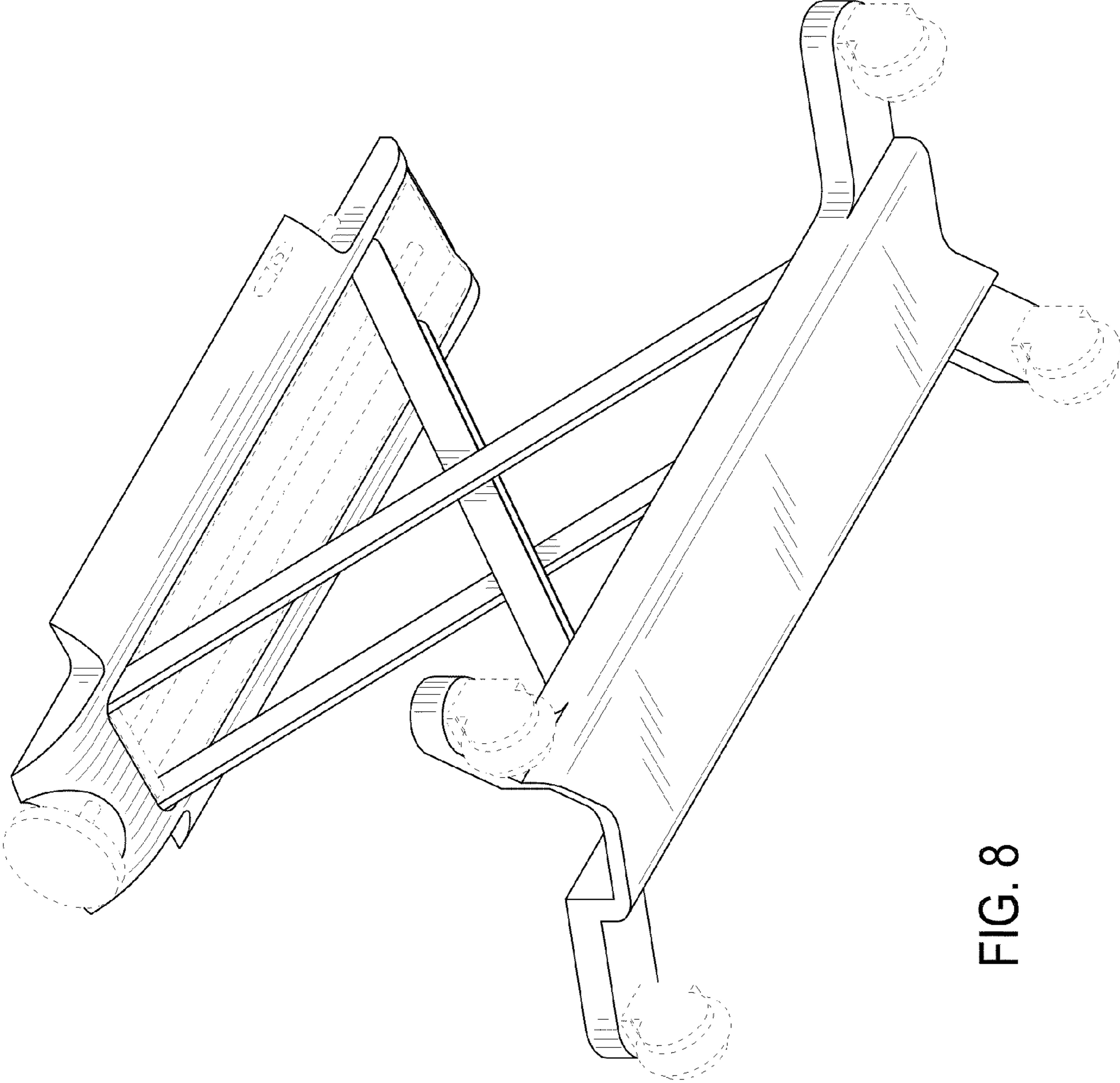


FIG. 8