



US00D655062S

(12) **United States Design Patent**
Gardner

(10) **Patent No.:** **US D655,062 S**
(45) **Date of Patent:** **** Feb. 28, 2012**

(54) **THREE BIN MULTI-SORT CENTRAL
RECYCLING STATION**

(75) Inventor: **Scott R. Gardner**, Rockaway Township,
NJ (US)

(73) Assignee: **Intercycle LLC**, Wayne, NJ (US)

(**) Term: **14 Years**

(21) Appl. No.: **29/391,449**

(22) Filed: **May 9, 2011**

(51) **LOC (9) Cl.** **09-09**

(52) **U.S. Cl.** **D34/7**

(58) **Field of Classification Search** D34/1,
D34/5, 6, 7, 8, 9, 10, 11; 248/147, 907; 220/908,
220/908.1, 909, 910, 911, 912, 913
See application file for complete search history.

(56) **References Cited**

U.S. PATENT DOCUMENTS

3,091,342	A *	5/1963	Crump	211/85.19
3,219,195	A *	11/1965	Mize	211/85.19
3,235,094	A *	2/1966	Otto et al.	211/85.19
3,642,145	A *	2/1972	Shelton	211/78
4,860,909	A *	8/1989	Leumi	220/475
5,067,626	A *	11/1991	Leumi	220/475
5,139,299	A *	8/1992	Smith	294/159

5,213,294	A *	5/1993	DeBord	248/147
5,580,015	A *	12/1996	Baker	248/145
D558,947	S *	1/2008	Gardner et al.	D34/7
D562,520	S *	2/2008	Gardner et al.	D34/7
7,431,246	B1 *	10/2008	Habib	248/146
D602,669	S *	10/2009	Gardner et al.	D34/7
D640,028	S *	6/2011	Gardner	D34/7

* cited by examiner

Primary Examiner — Cynthia Ramirez

(74) *Attorney, Agent, or Firm* — Richard M. Goldberg

(57) **CLAIM**

The ornamental design for a three bin multi-sort central recycling station, as shown and described.

DESCRIPTION

FIG. 1 is an isometric view of the three bin multi-sort central recycling station of my design, viewed from the top and front, with the flaps in a closed configuration;
FIG. 2 is an isometric view thereof, viewed from the top and front, with the flaps in an open configuration;
FIG. 3 is a front elevational view thereof;
FIG. 4 is a rear elevational view thereof;
FIG. 5 is a left side elevational view thereof;
FIG. 6 is a right side elevational view thereof;
FIG. 7 is a top plan view thereof; and,
FIG. 8 is a bottom plan view thereof.

1 Claim, 8 Drawing Sheets

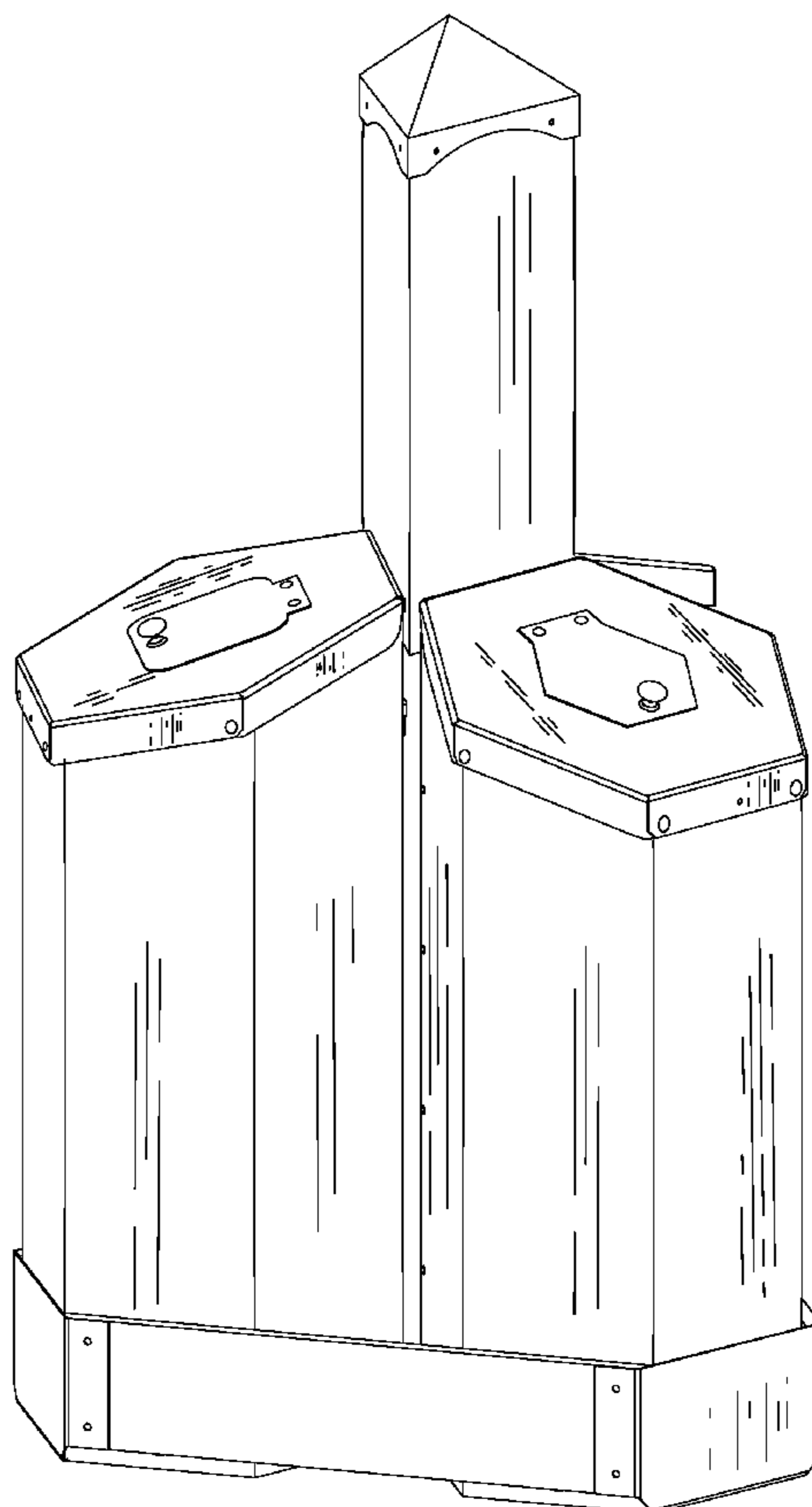


FIG. 1

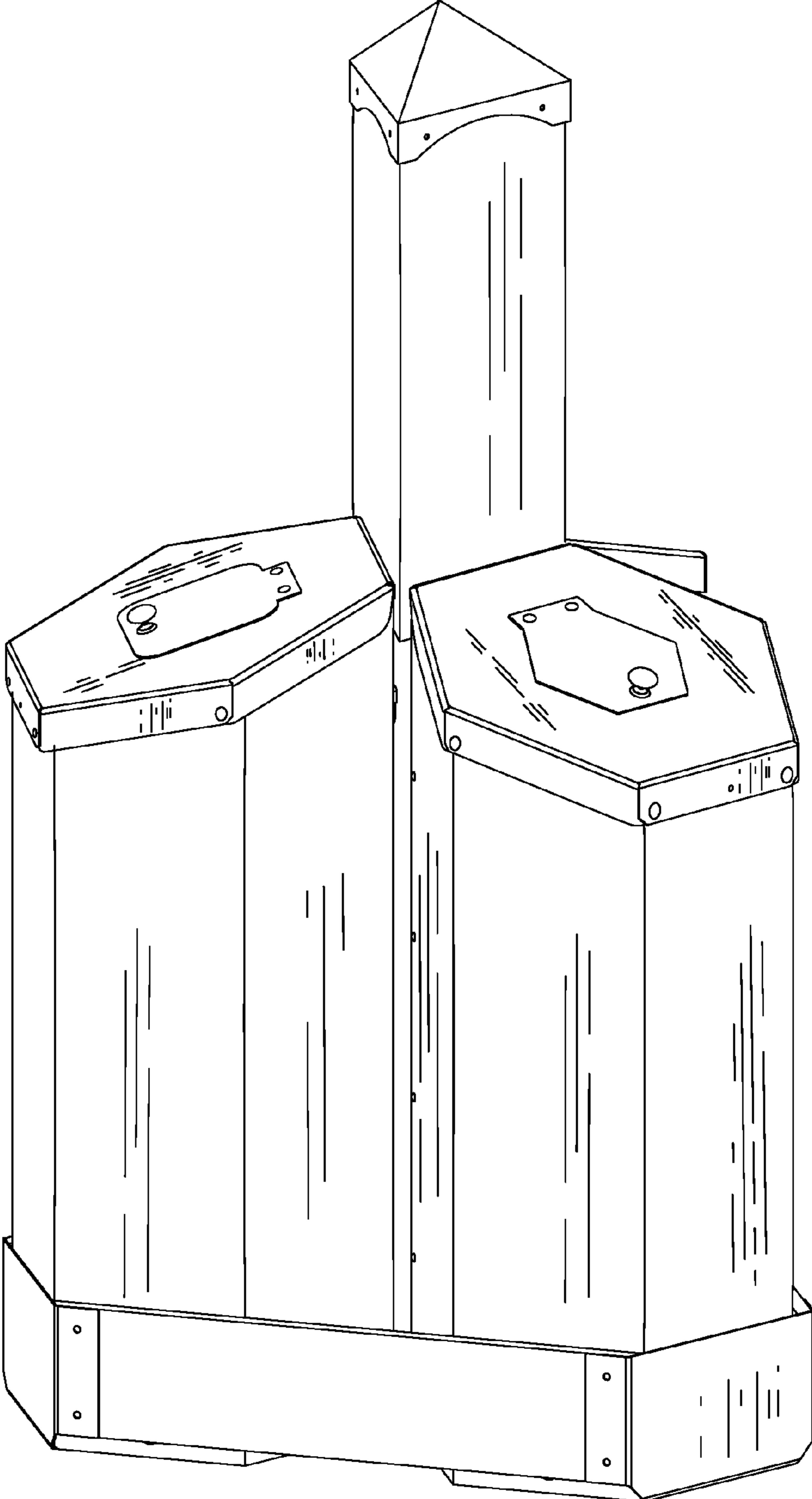


FIG.2

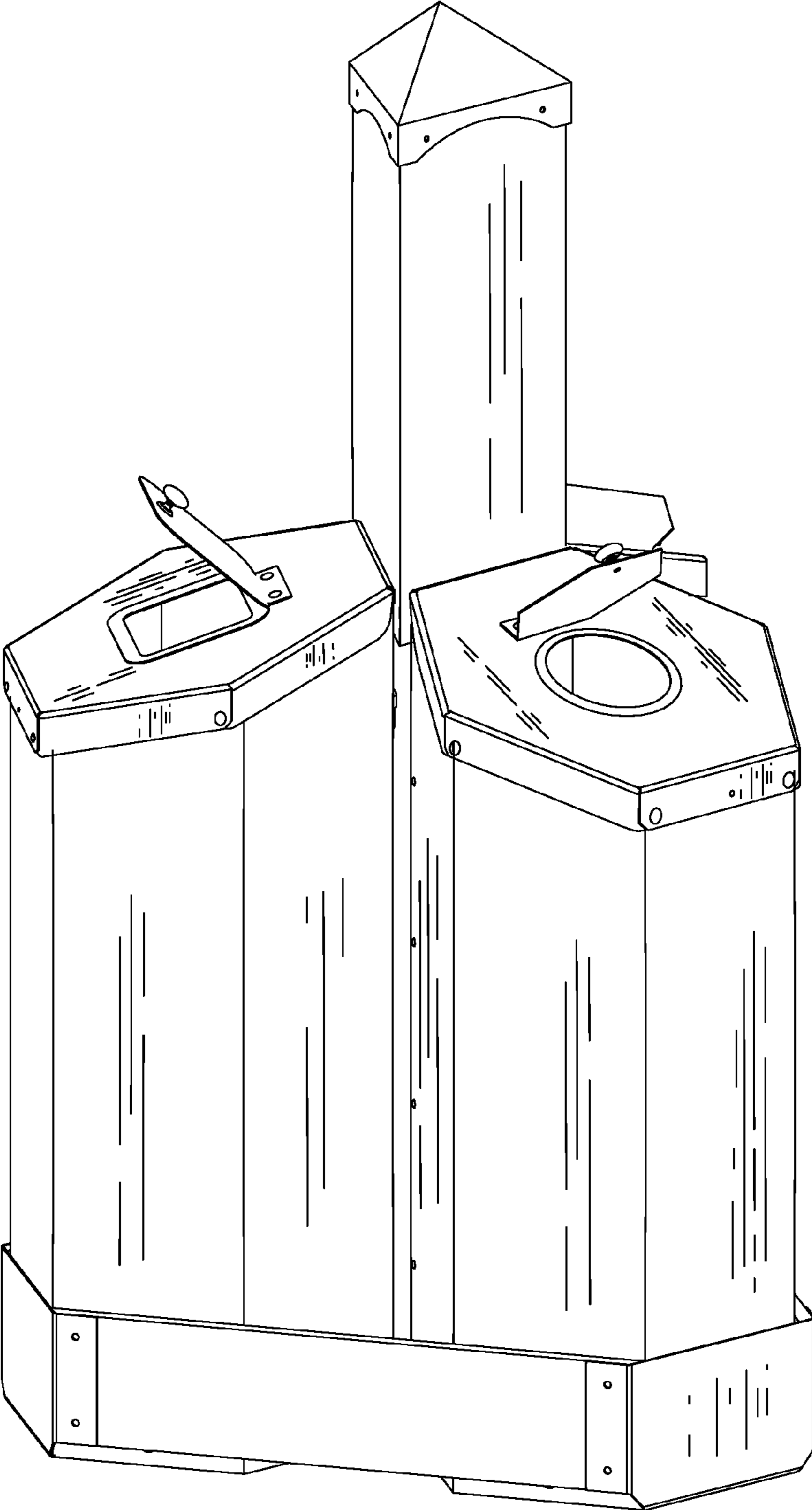


FIG.3

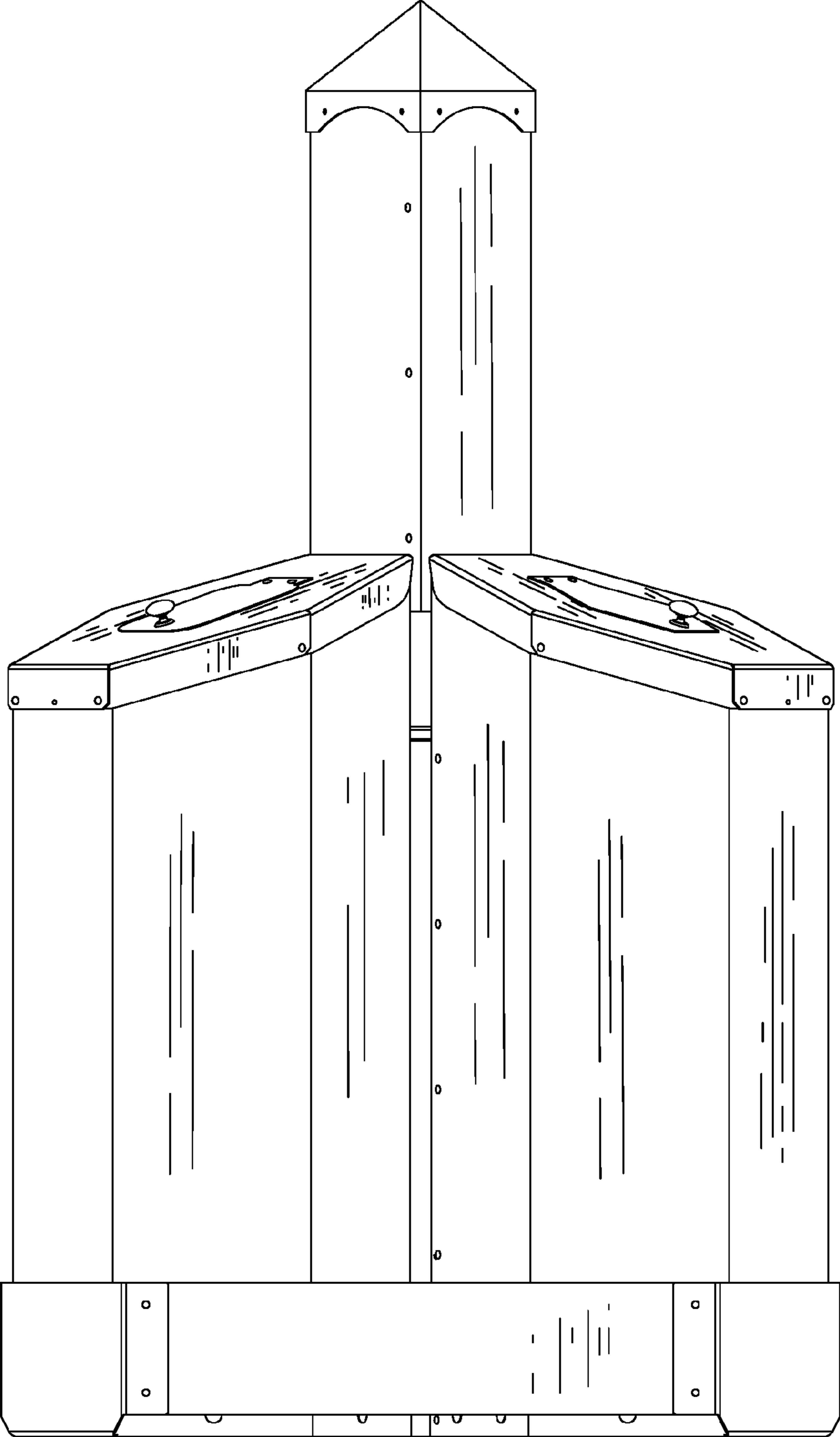


FIG.4

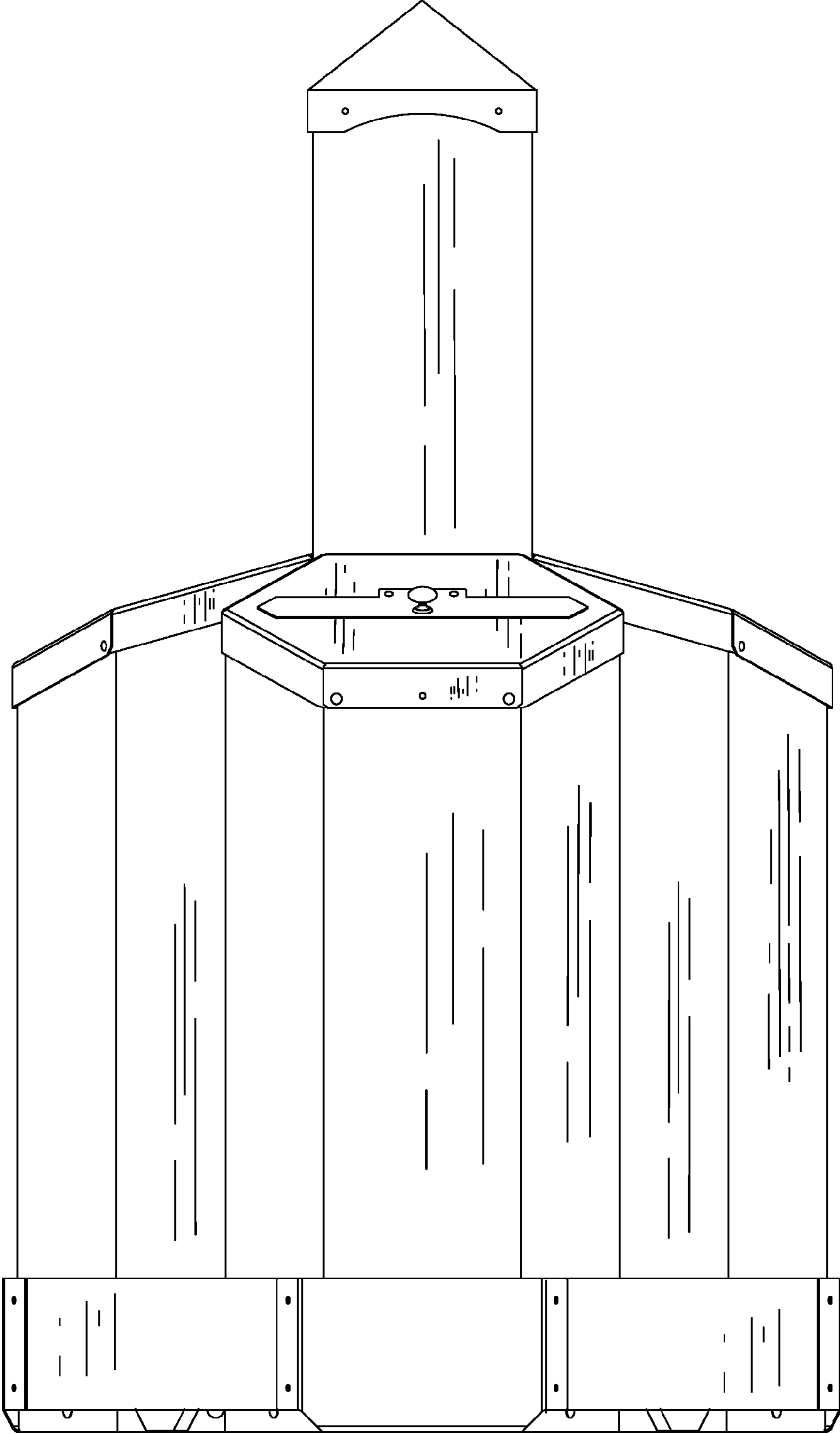


FIG.5

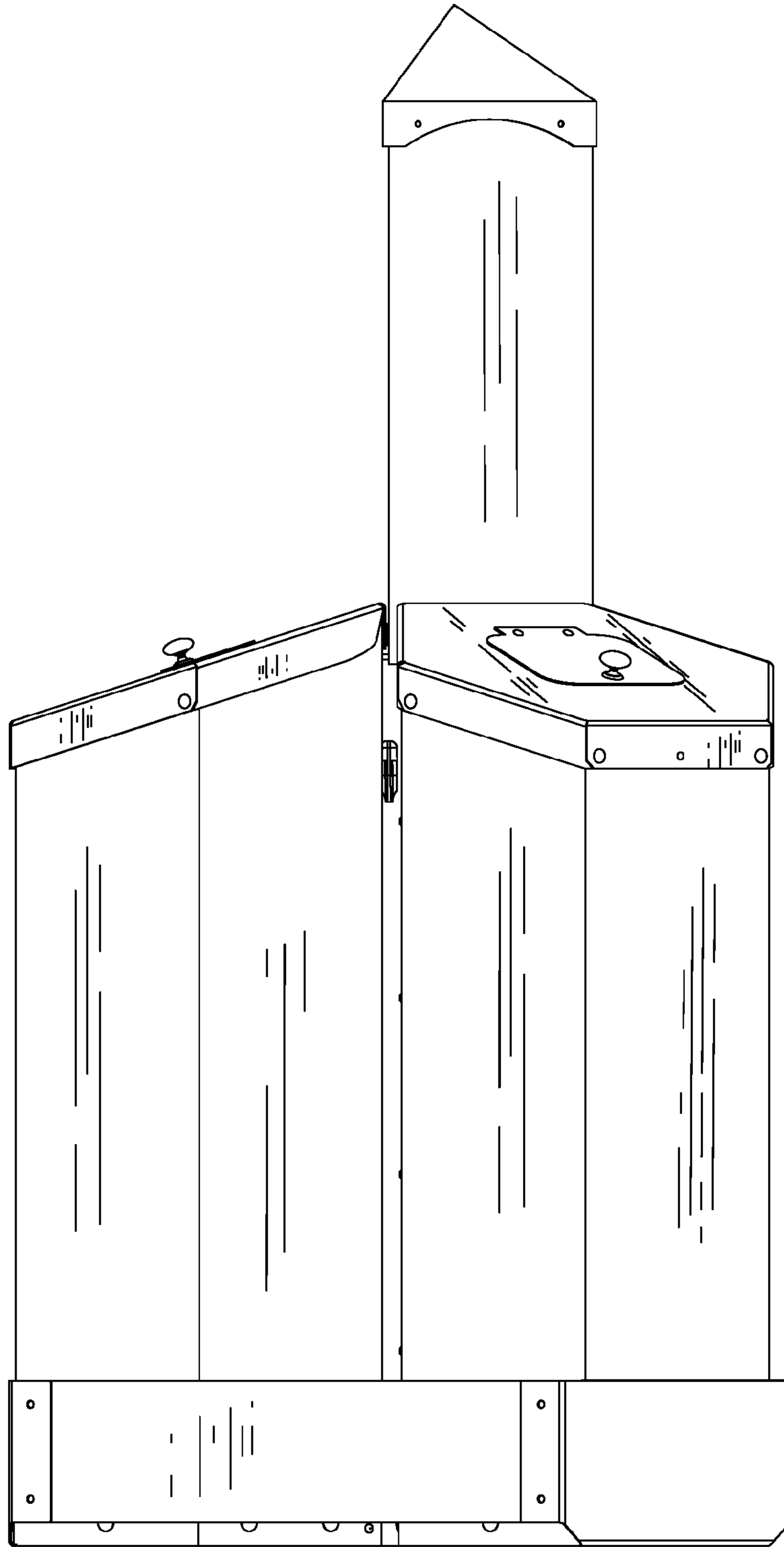


FIG.6

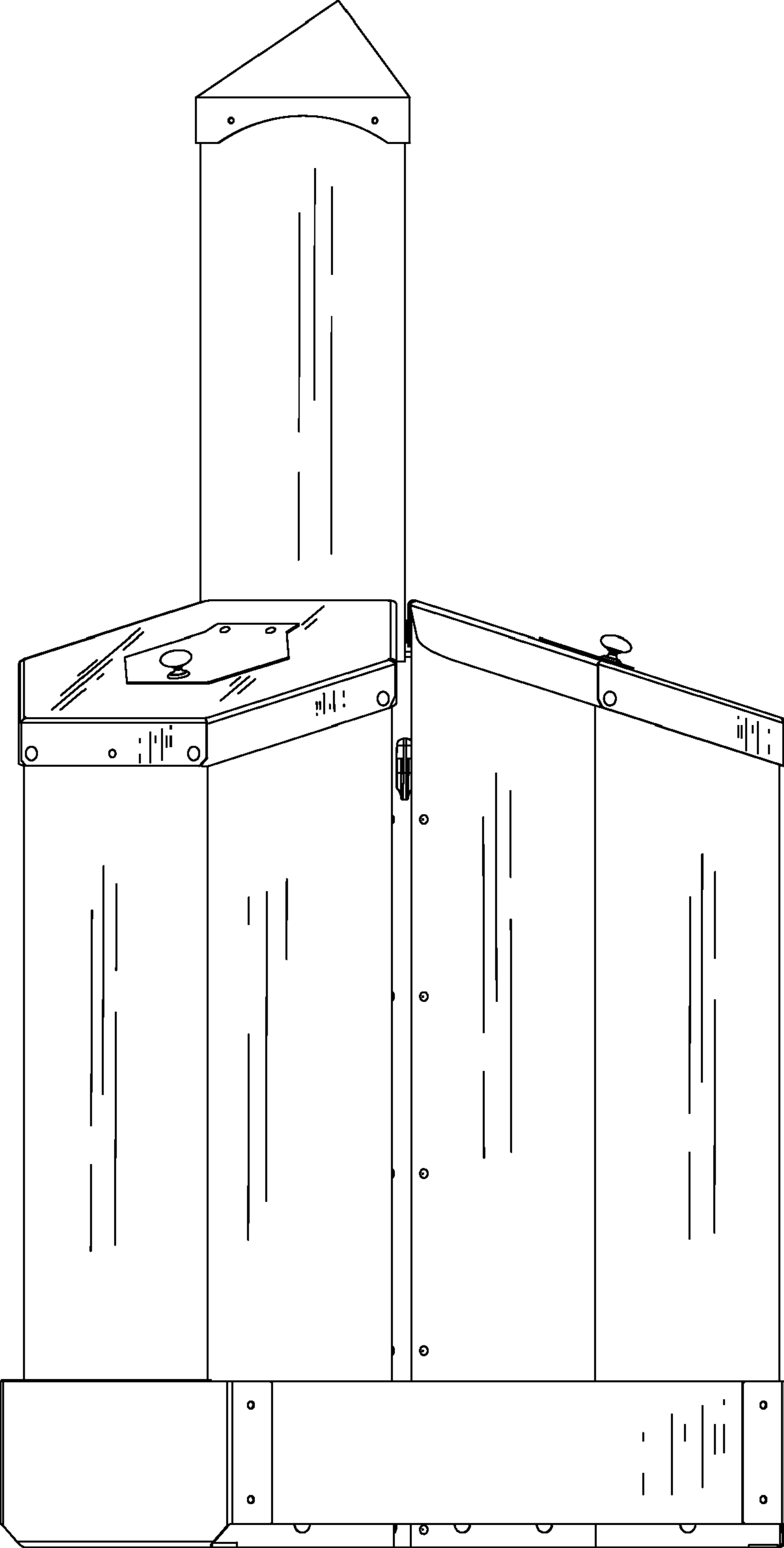


FIG.7

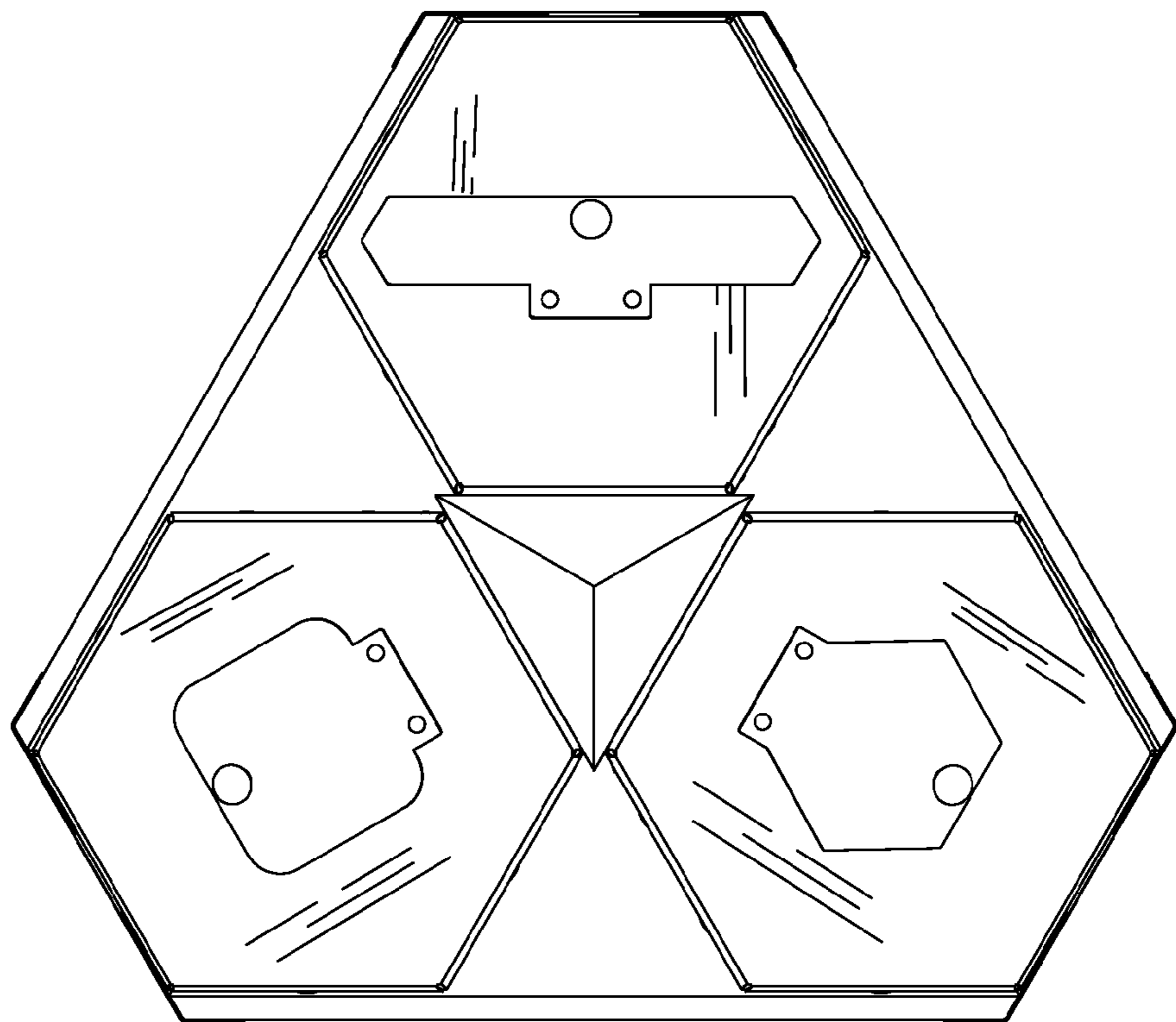


FIG.8

