



US00D655060S

(12) **United States Design Patent**
Hermle

(10) **Patent No.:** **US D655,060 S**

(45) **Date of Patent:** **** Feb. 28, 2012**

(54) **CLEANING ADAPTER**

(75) Inventor: **Rainer Hermle**, Gosheim (DE)

(73) Assignee: **Karl Storz GmbH & Co. KG** (DE)

(**) Term: **14 Years**

(21) Appl. No.: **29/344,064**

(22) Filed: **Sep. 23, 2009**

(30) **Foreign Application Priority Data**

Mar. 23, 2009 (EM) 001110407

(51) **LOC (9) Cl.** **15-05**

(52) **U.S. Cl.** **D32/25**

(58) **Field of Classification Search** D32/1,
D32/14, 25, 35; 15/104.05, 104.061, 104.16,
15/104.33; 42/95; D24/217, 231-232; D22/108
See application file for complete search history.

(56) **References Cited**

U.S. PATENT DOCUMENTS

614,191	A *	11/1898	Weills	15/104.165
1,532,222	A *	4/1925	Belding	15/104.16
1,553,813	A *	9/1925	Griffin	15/104.061
2,786,218	A *	3/1957	Yousem	15/104.33
3,710,411	A *	1/1973	Murguiondo	15/104.16
4,291,477	A *	9/1981	Carlton	42/95
D271,902	S *	12/1983	Campton	D24/217

5,651,207	A *	7/1997	Knight	42/95
6,663,309	B2 *	12/2003	Zamansky et al.	401/264
6,824,751	B2 *	11/2004	Rossell	422/295
6,939,351	B2 *	9/2005	Eckman	606/79
7,105,003	B2 *	9/2006	Hiltebrandt	606/159
7,380,570	B1 *	6/2008	Orr	137/625.25
7,454,812	B1 *	11/2008	Lyle	15/104.05
2010/0199999	A1 *	8/2010	Vazales et al.	128/207.14
2010/0318116	A1 *	12/2010	Forsell	606/200

* cited by examiner

Primary Examiner — T. Chase Nelson

Assistant Examiner — Kathleen M Sims

(74) *Attorney, Agent, or Firm* — St. Onge Steward Johnston & Reens LLC

(57) **CLAIM**

The ornamental design for a cleaning adapter, as shown and described.

DESCRIPTION

FIG. 1 is a left side perspective view of a cleaning adapter in accordance with the new design;

FIG. 2 is a left side elevation view thereof;

FIG. 3 is a bottom elevation view thereof;

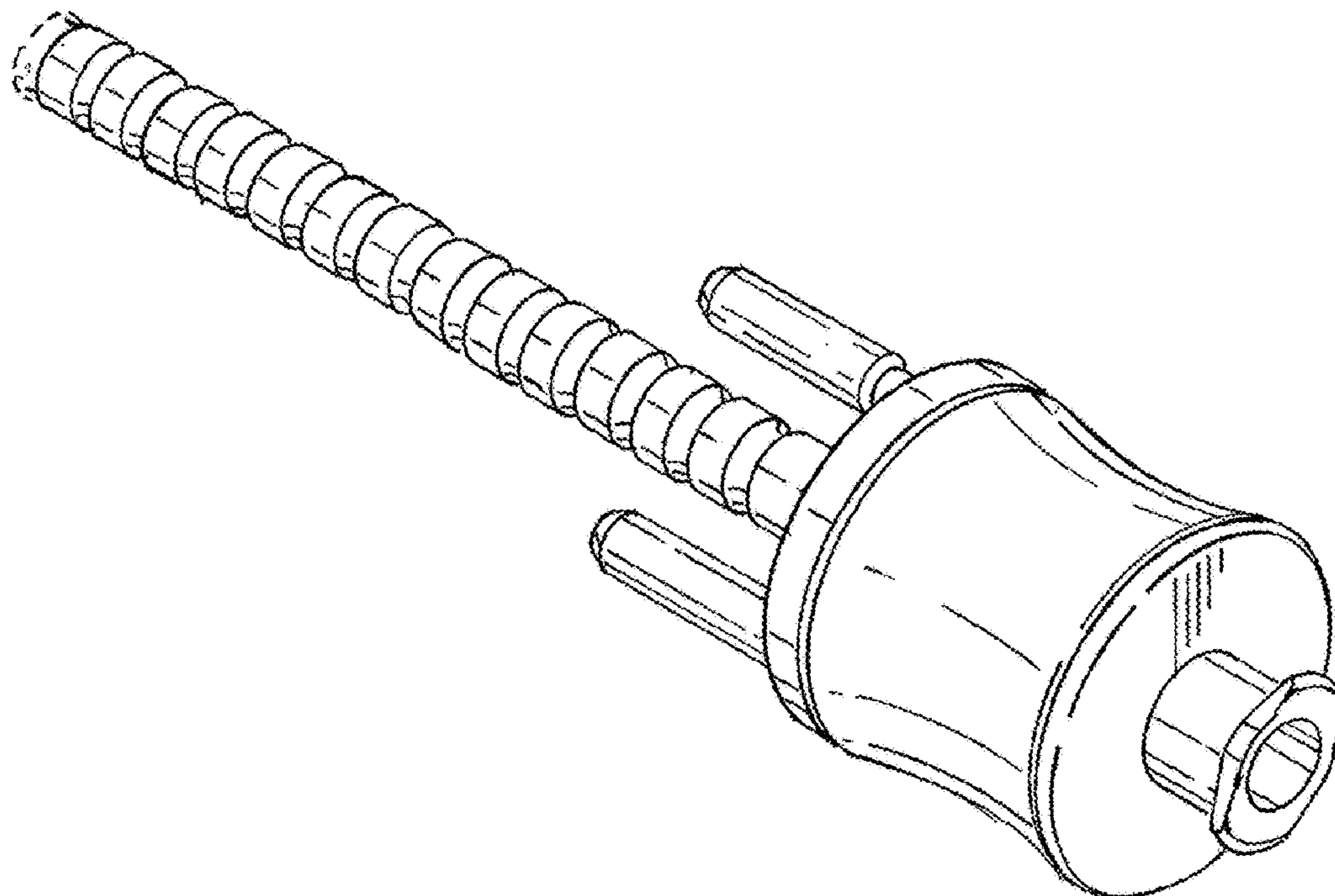
FIG. 4 is a top elevation view thereof;

FIG. 5 is a rear view thereof; and,

FIG. 6 is a front view thereof.

The broken lines in FIGS. 1-4 and 6 are included for the purpose of illustrating a portion of the cleaning adapter that forms no part of the claimed design.

1 Claim, 3 Drawing Sheets



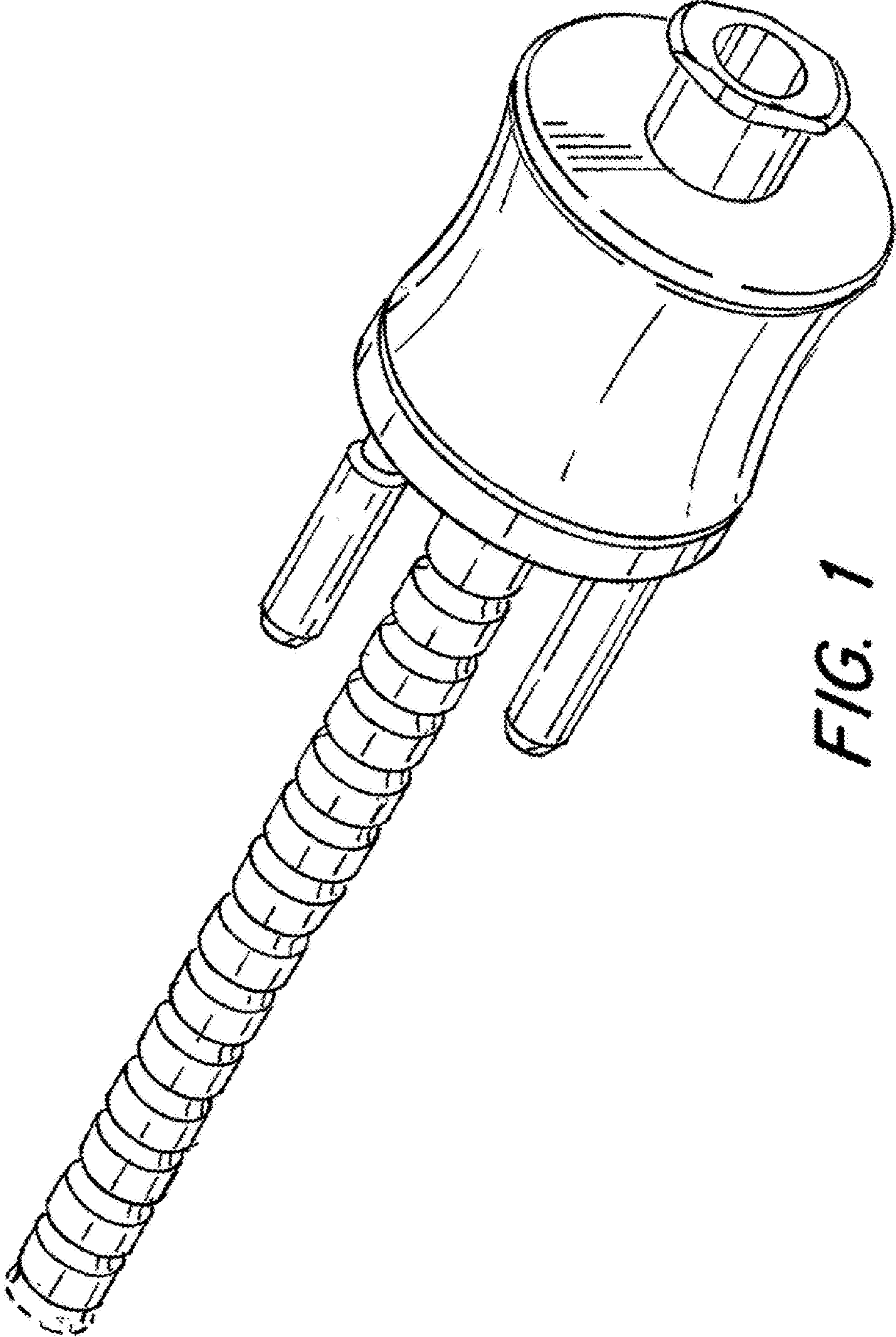


FIG. 1

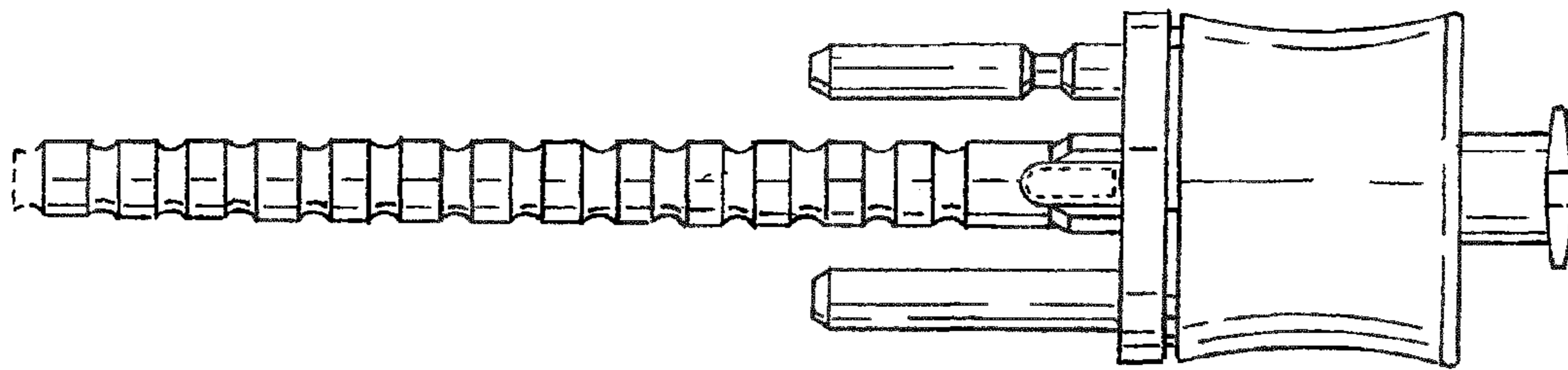


FIG. 2

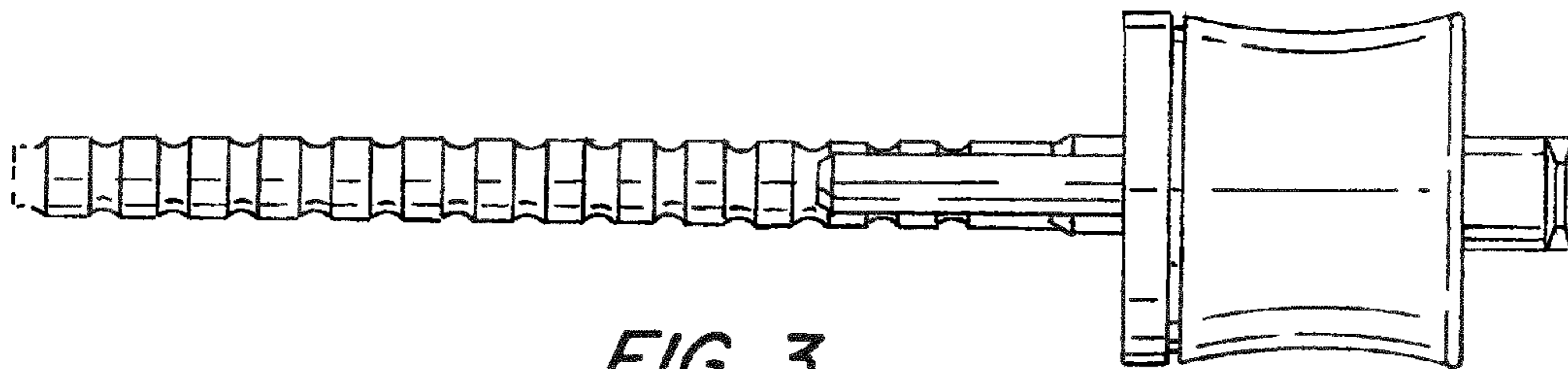


FIG. 3

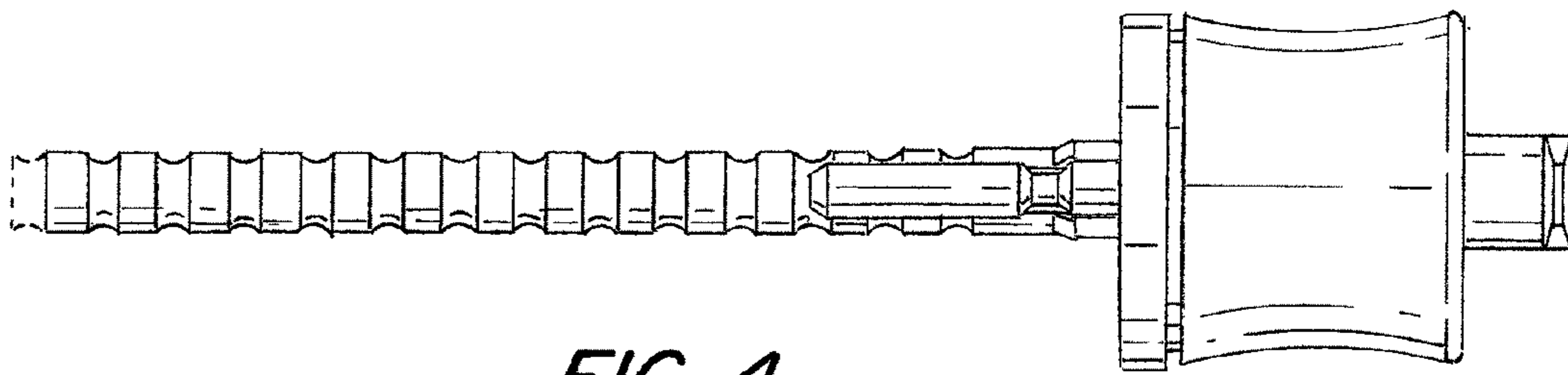


FIG. 4

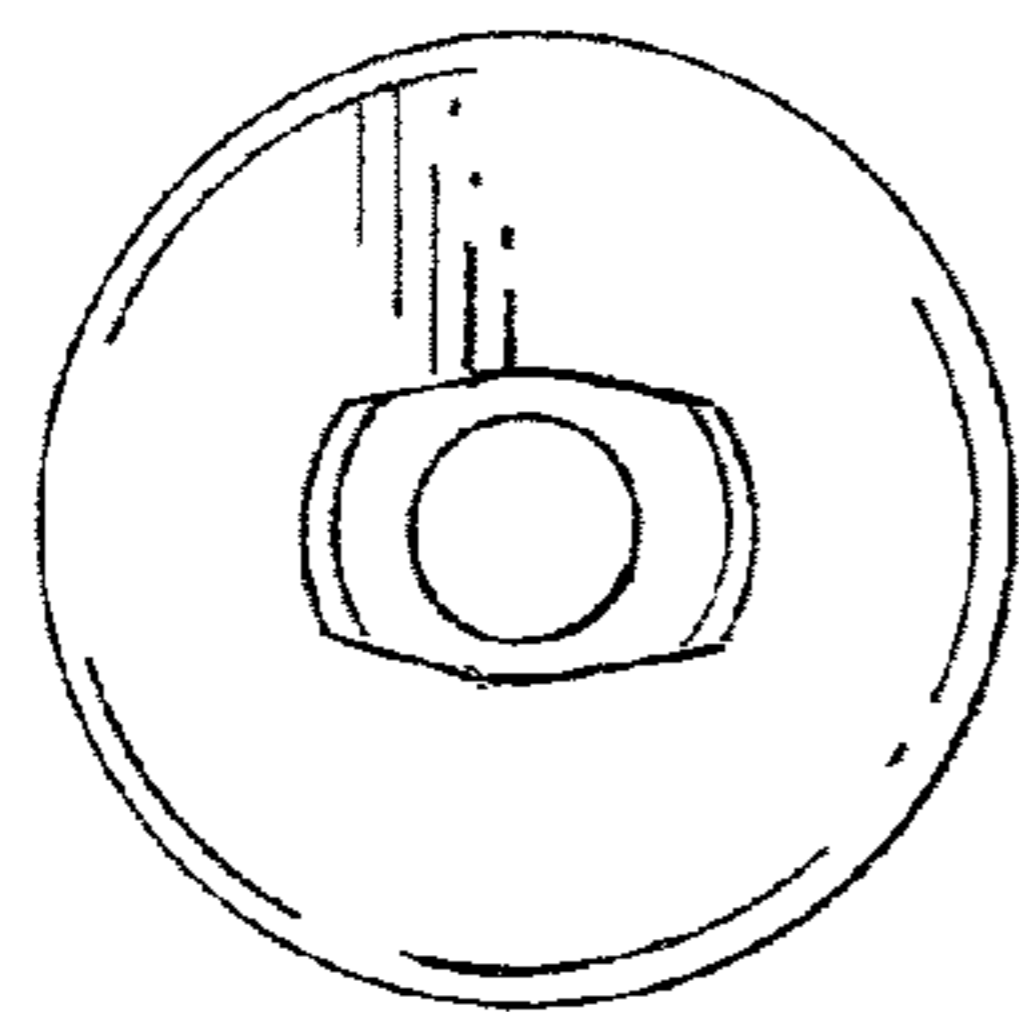


FIG. 5

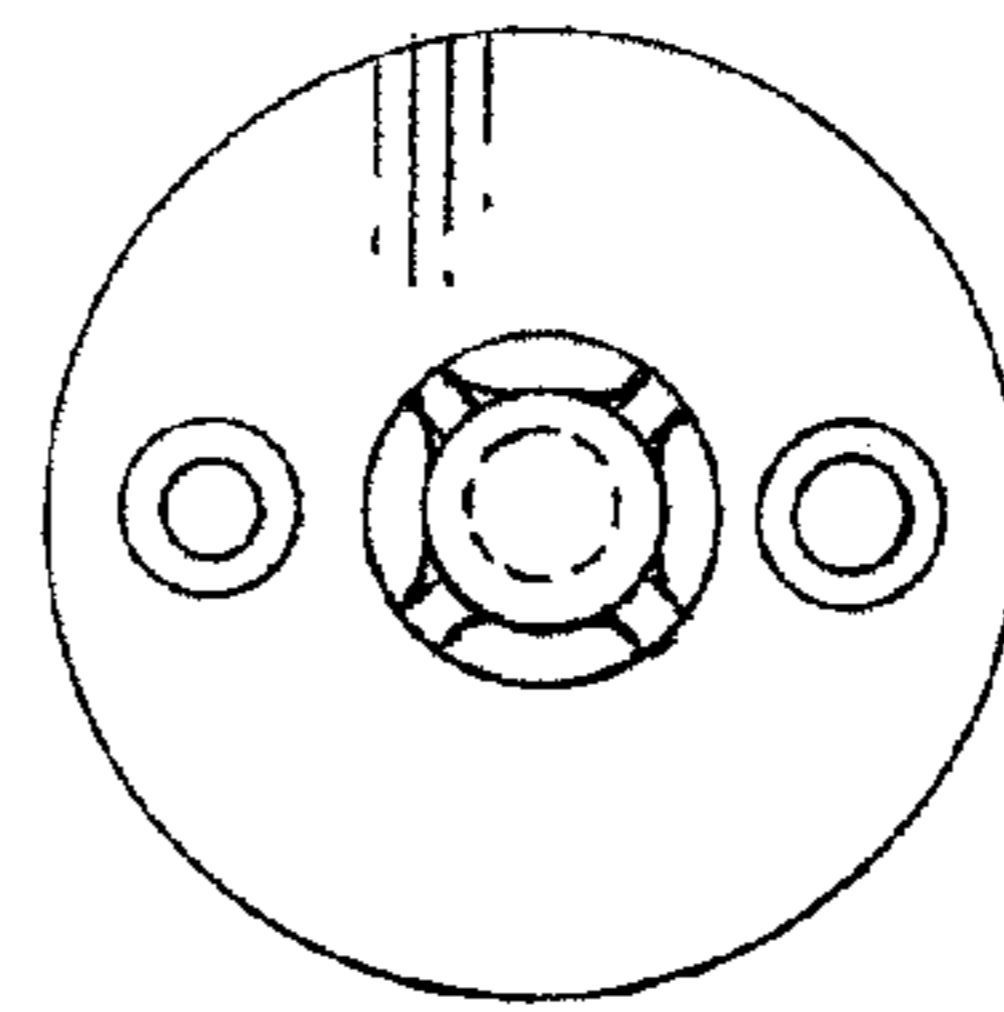


FIG. 6