



US00D655057S

(12) **United States Design Patent**
Blair

(10) **Patent No.:** **US D655,057 S**

(45) **Date of Patent:** **** Feb. 28, 2012**

(54) **DOG TOY**

(76) Inventor: **Paul Blair**, Amesbury (GB)

(**) Term: **14 Years**

(21) Appl. No.: **29/379,850**

(22) Filed: **Nov. 24, 2010**

(30) **Foreign Application Priority Data**

Sep. 17, 2010 (GB) 4017207

(51) **LOC (9) Cl.** **30-99**

(52) **U.S. Cl.** **D30/160; D1/199**

(58) **Field of Classification Search** D30/118,

D30/156, 160; D1/125-126, 199; D3/5,

D3/7-8; D24/200, 211-215; 119/702, 706-711;

446/256, 269; 601/28, 121

See application file for complete search history.

(56) **References Cited**

U.S. PATENT DOCUMENTS

1,817,823	A *	8/1931	Ito	604/24
3,315,640	A *	4/1967	Gamble	119/707
3,395,642	A *	8/1968	Foster et al.	102/317
4,345,757	A *	8/1982	Lo Voi	601/121
D331,517	S *	12/1992	Warner	D30/160
D358,111	S *	5/1995	Gregory	D30/160
D371,202	S *	6/1996	Zajas et al.	D24/211
6,129,687	A *	10/2000	Powell et al.	601/121

D478,705	S *	8/2003	Dahl et al.	D1/125
D494,735	S *	8/2004	Dahl et al.	D1/125
D507,685	S *	7/2005	Nazimek	D30/160
7,234,420	B1 *	6/2007	Tsengas	119/710
D563,610	S *	3/2008	Leo	D30/160
D584,864	S *	1/2009	Matthews	D30/160
D587,411	S *	2/2009	Rezny	D30/160
D627,537	S *	11/2010	Passi	D1/126
D638,589	S *	5/2011	Axelrod et al.	D30/160

FOREIGN PATENT DOCUMENTS

GB 4012128 10/2009

* cited by examiner

Primary Examiner — Cathy A MacCormac

(74) *Attorney, Agent, or Firm* — Fai Patents; Matthew F. Lambrinos

(57) **CLAIM**

The ornamental design for a dog toy, as shown.

DESCRIPTION

FIG. 1 is a perspective view of a dog toy showing my new design;

FIG. 2 is a front view thereof;

FIG. 3 is a back view thereof;

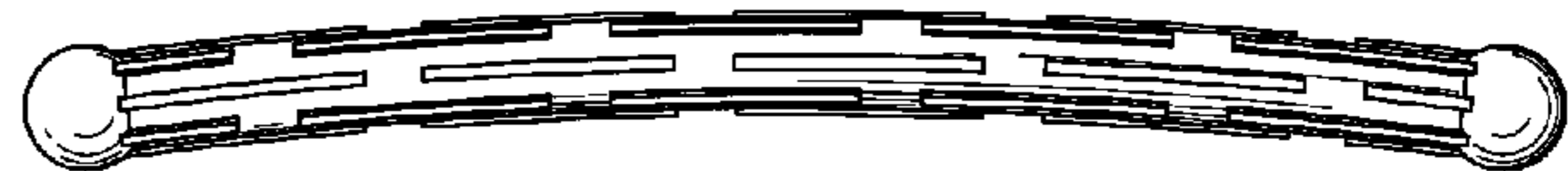
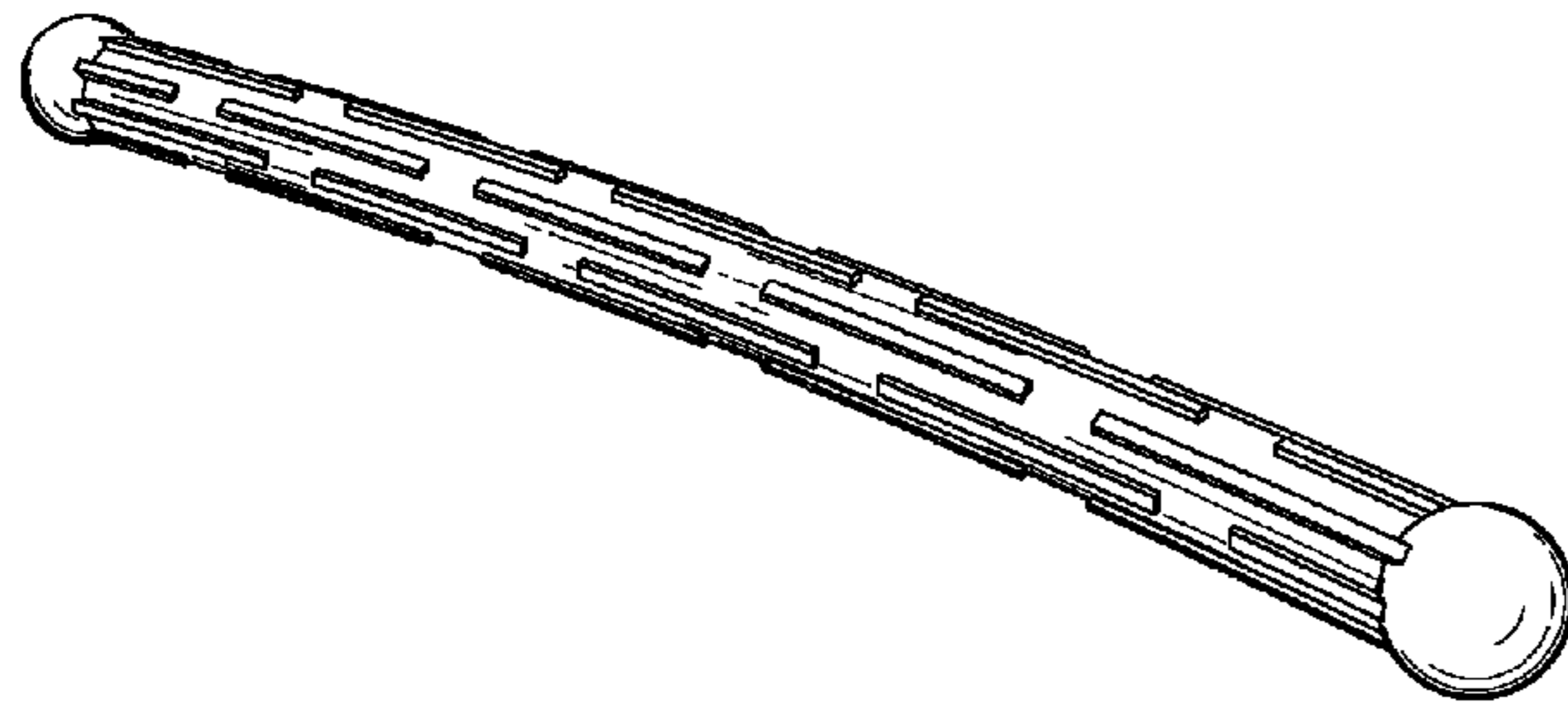
FIG. 4 is a left side view thereof;

FIG. 5 is a right side view thereof;

FIG. 6 is a top view thereof; and,

FIG. 7 is a bottom view thereof.

1 Claim, 3 Drawing Sheets



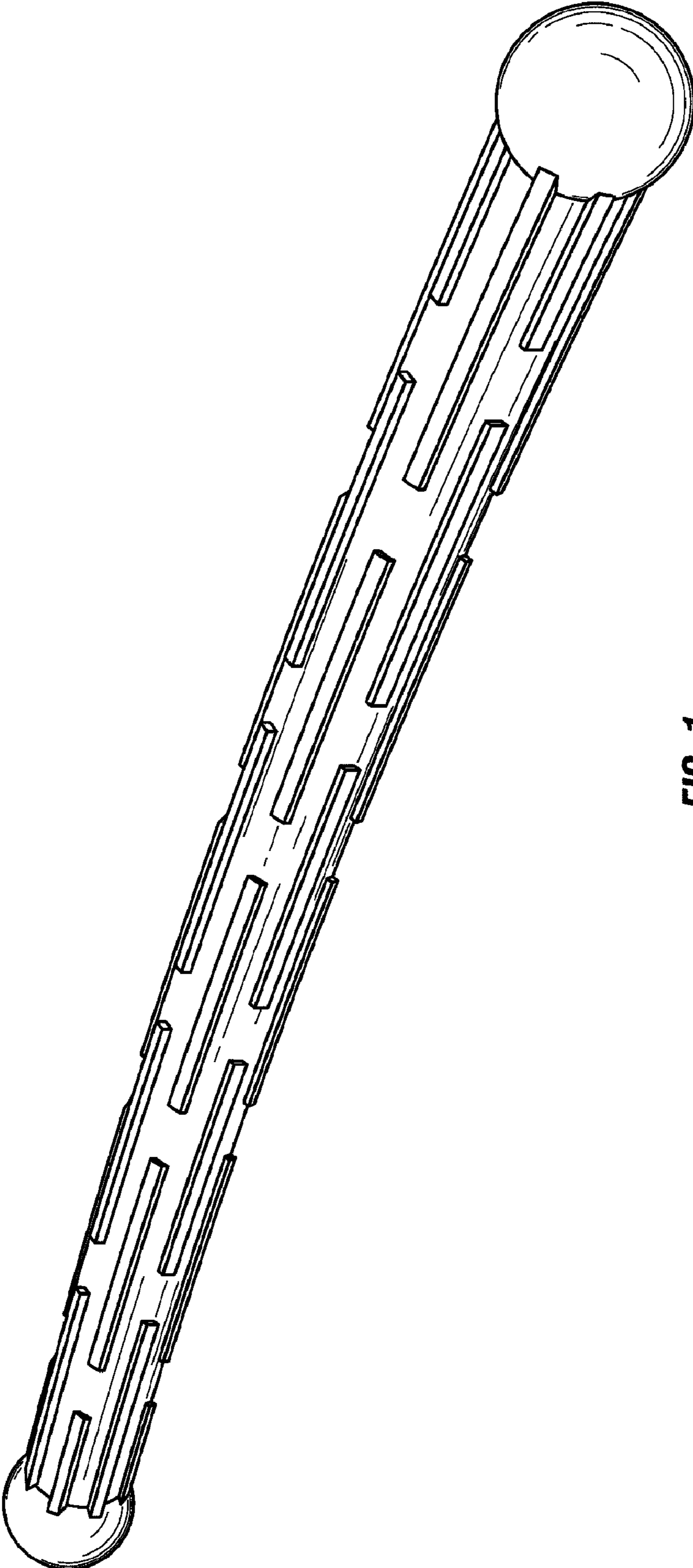


FIG. 1

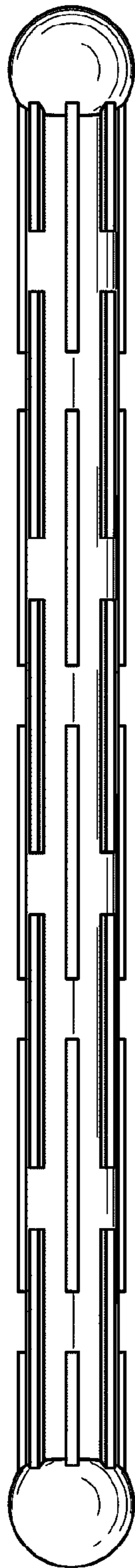


FIG. 2

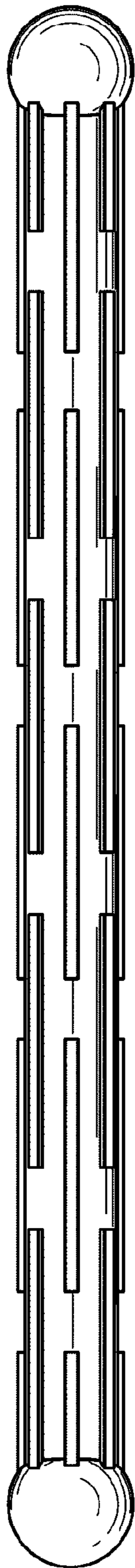


FIG. 3

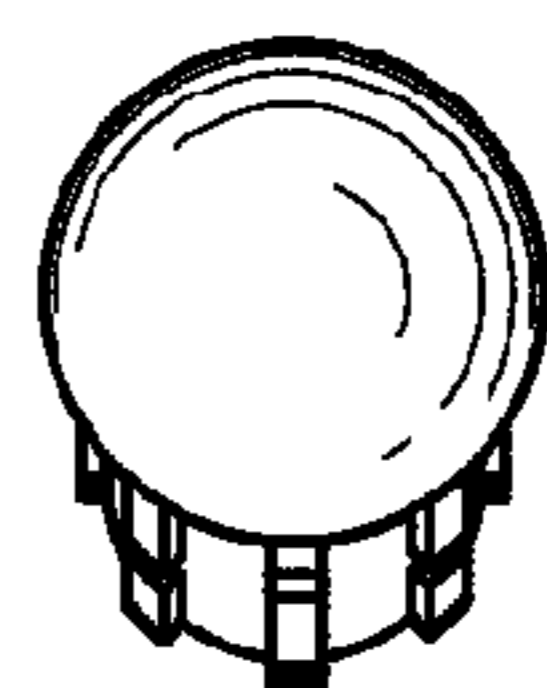


FIG. 4

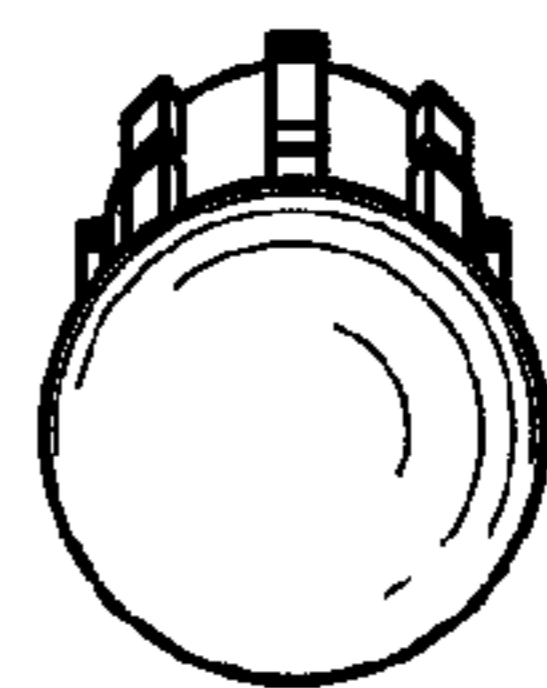


FIG. 5

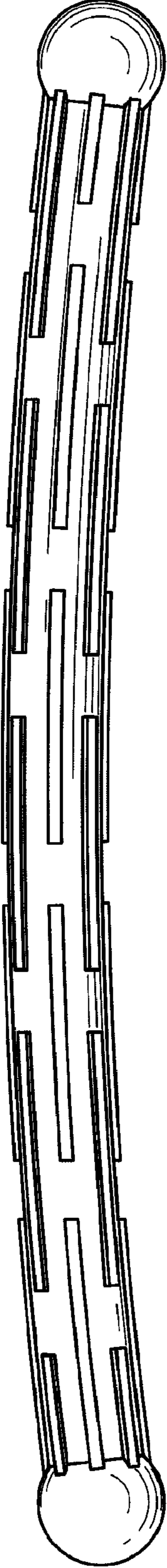


FIG. 6

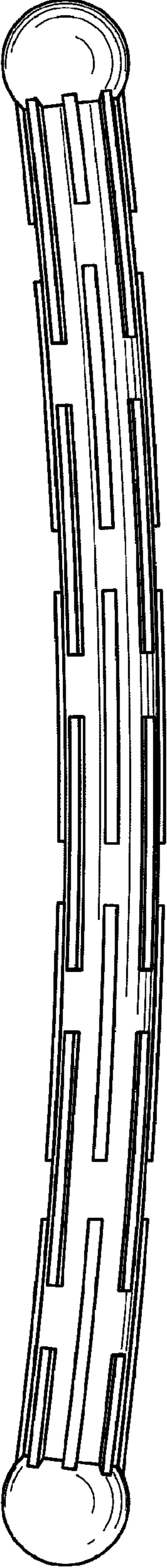


FIG. 7