



US00D655056S

(12) **United States Design Patent**
Blair

(10) **Patent No.:** **US D655,056 S**

(45) **Date of Patent:** **** Feb. 28, 2012**

(54) **DOG TOY**

(76) Inventor: **Paul Blair**, Amesbury (GB)

(**) Term: **14 Years**

(21) Appl. No.: **29/379,835**

(22) Filed: **Nov. 24, 2010**

(30) **Foreign Application Priority Data**

Sep. 17, 2010 (GB) 4017210

(51) **LOC (9) Cl.** **30-99**

(52) **U.S. Cl.** **D30/160; D1/199**

(58) **Field of Classification Search** D30/118,
D30/156, 160; D1/125-126, 199; D3/5,
D3/7-8; D24/200, 211-215; 119/702, 706-711;
446/226, 269; 601/28, 121

See application file for complete search history.

(56) **References Cited**

U.S. PATENT DOCUMENTS

444,597	A *	1/1891	Lichtenstadt et al.	601/20
D202,332	S *	9/1965	Fisher	D30/160
3,664,334	A *	5/1972	O'Neil	601/120
5,131,383	A *	7/1992	Juarez	601/28
D338,993	S *	9/1993	Lilly	D1/106
5,411,470	A *	5/1995	Liptak et al.	601/28
D383,782	S *	9/1997	Decker	D30/160
6,364,814	B1 *	4/2002	Linton	482/55
D475,816	S *	6/2003	Adamson	D30/160
6,764,454	B2 *	7/2004	Tu	601/121
6,764,456	B1 *	7/2004	Doherty	601/121

6,811,539	B1 *	11/2004	Nguyen	601/28
D511,229	S *	11/2005	Byrne	D30/160
D572,623	S *	7/2008	Kaiser	D11/121
D587,427	S *	3/2009	Torney et al.	D1/106
D598,562	S *	8/2009	Chen	D24/211
D613,349	S *	4/2010	Metti	D24/211
D643,540	S *	8/2011	Jian et al.	D24/211
2005/0085749	A1 *	4/2005	Baerwalde et al.	601/121

FOREIGN PATENT DOCUMENTS

GB 4012128 10/2009

OTHER PUBLICATIONS

Care-A-Lot catalog; p. 124; The Stick and Twig dog toys #'s 4338 & 4337.*

* cited by examiner

Primary Examiner — Cathy A MacCormac

(74) *Attorney, Agent, or Firm* — Fai Patents; Matthew F. Lambrinos

(57) **CLAIM**

The ornamental design for a dog toy, as shown.

DESCRIPTION

FIG. 1 is a perspective view of a dog toy showing my new design;

FIG. 2 is a front view thereof;

FIG. 3 is a back view thereof;

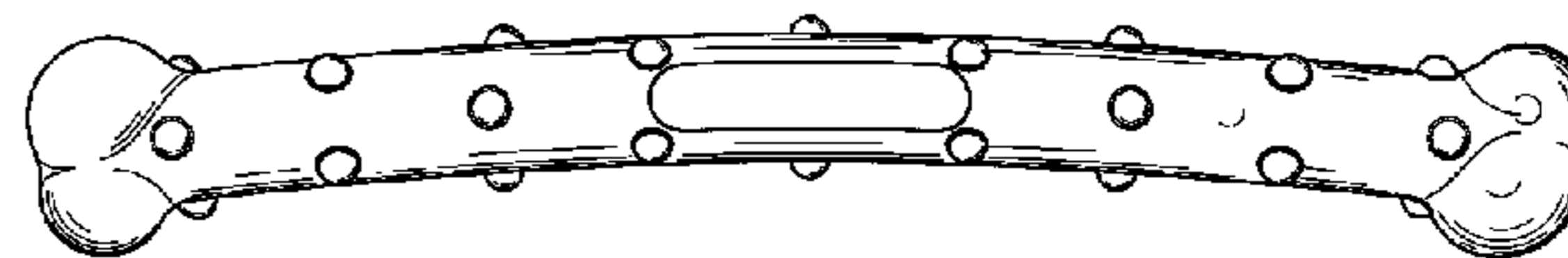
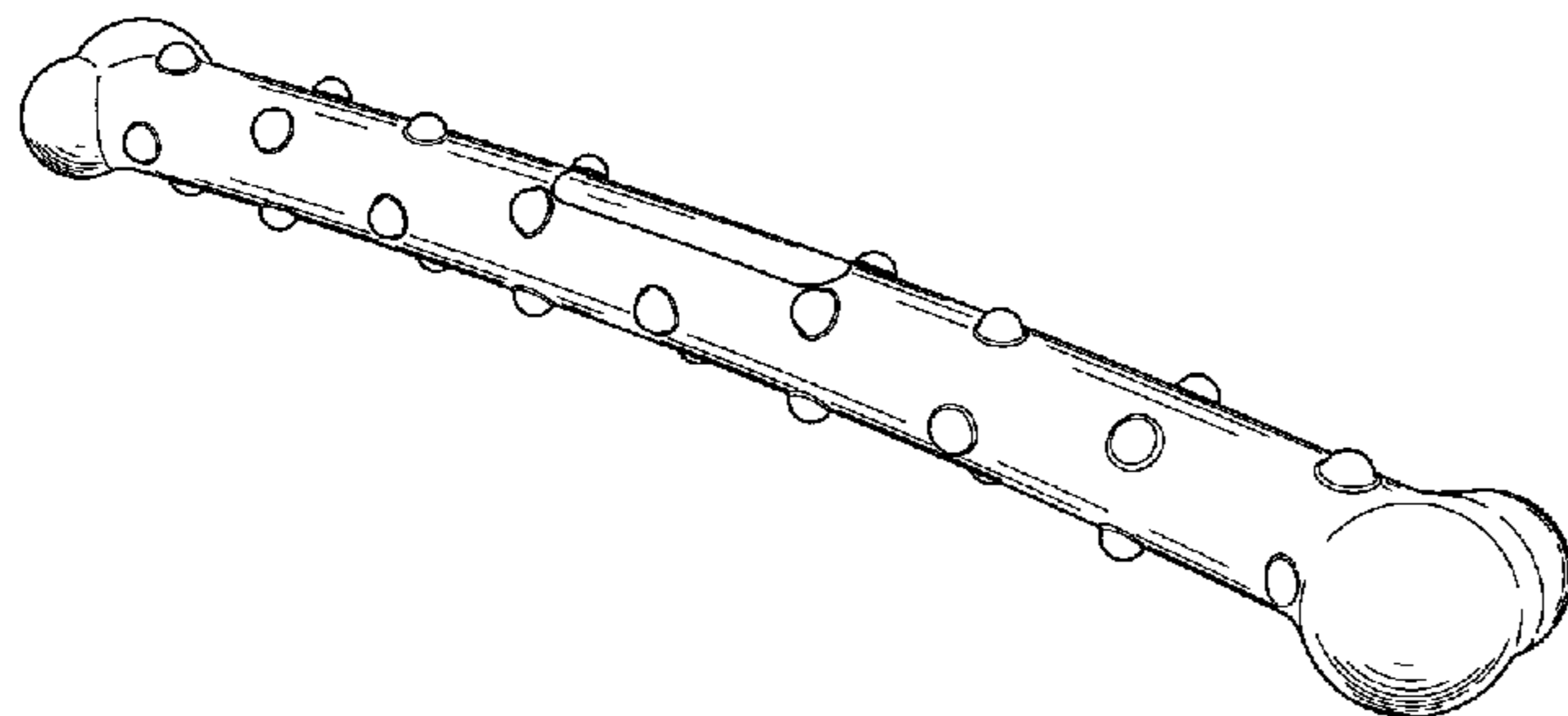
FIG. 4 is a left side view thereof;

FIG. 5 is a right side view thereof;

FIG. 6 is a top view thereof; and,

FIG. 7 is a bottom view thereof.

1 Claim, 3 Drawing Sheets



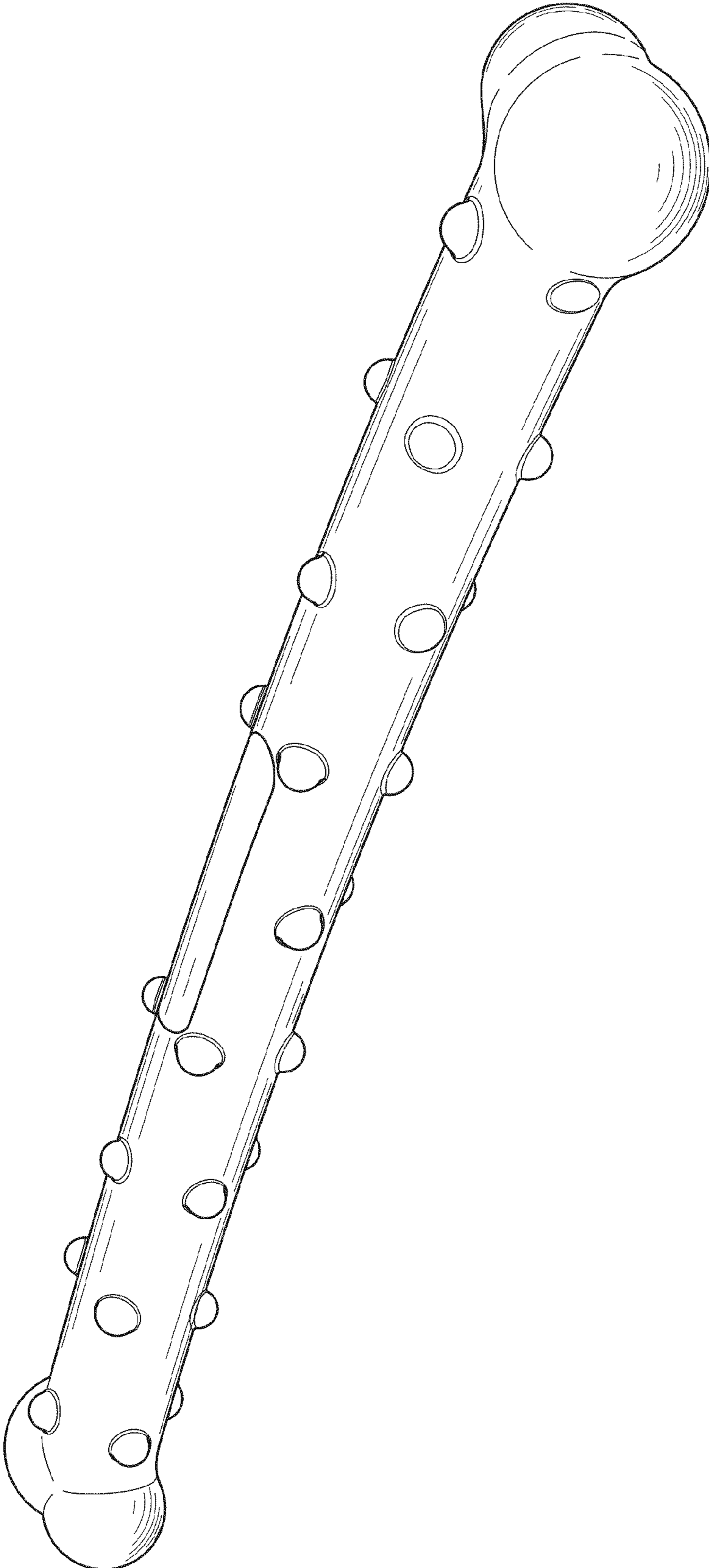


FIG. 1

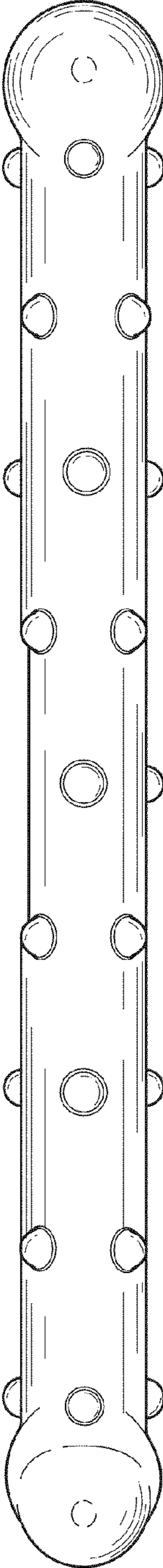


FIG. 2

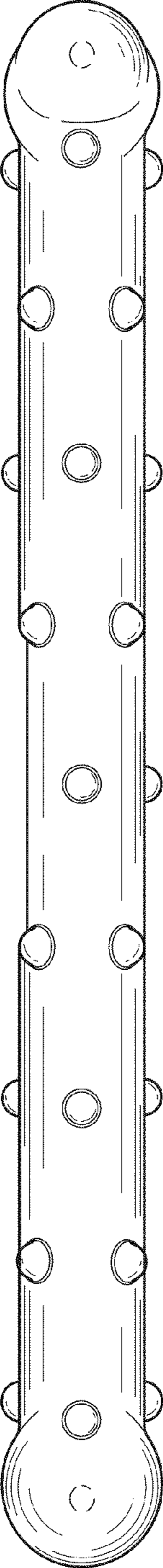


FIG. 3

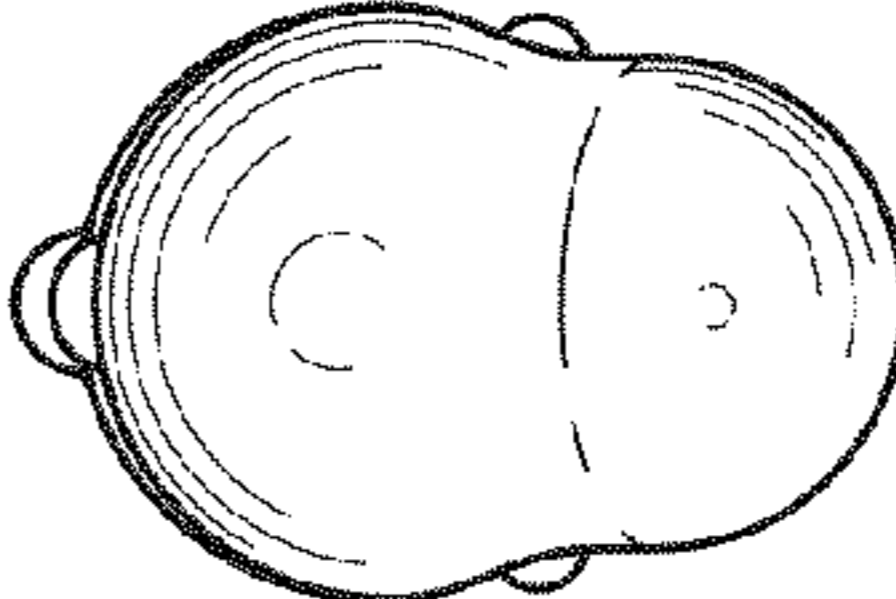


FIG. 4

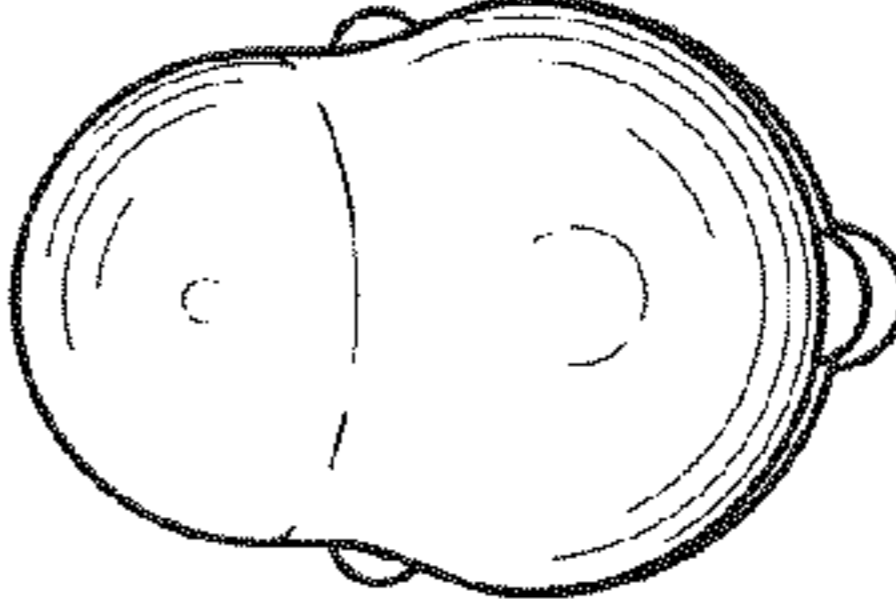


FIG. 5

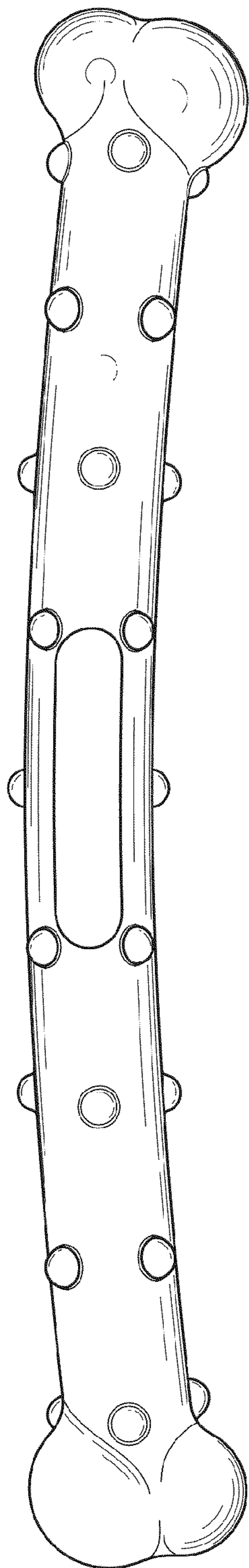


FIG. 6

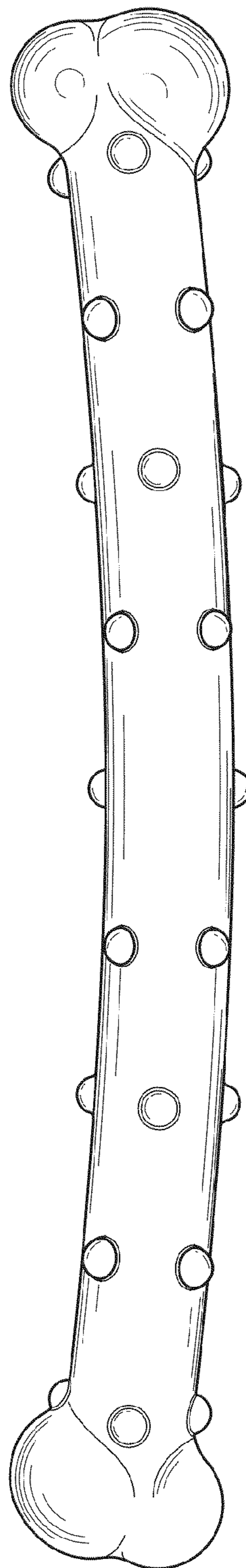


FIG. 7