



US00D655052S

(12) **United States Design Patent**
Chen

(10) **Patent No.:** **US D655,052 S**

(45) **Date of Patent:** **** Feb. 28, 2012**

(54) **AQUARIUM**

(76) **Inventor:** **Zuoliang Chen**, San Francisco, CA (US)

(**) **Term:** **14 Years**

(21) **Appl. No.:** **29/373,662**

(22) **Filed:** **May 6, 2011**

(51) **LOC (9) Cl.** **30-02**

(52) **U.S. Cl.** **D30/101**

(58) **Field of Classification Search** D30/101-107;
D11/143, 145; D6/390, 470; 220/643, 665;
47/69; 119/245-247, 250, 264, 266-267,
119/248, 265, 269

See application file for complete search history.

D234,959 S *	4/1975	Shalom	D30/101
D236,632 S *	9/1975	Shalom	D30/101
D238,688 S *	2/1976	Shalom	D30/101
3,967,732 A *	7/1976	Ritzow et al.	206/521
D361,167 S	8/1995	Ichikawa		
D361,870 S *	8/1995	Ichikawa	D30/101
D448,124 S	9/2001	Wang		
D451,249 S	11/2001	Fang		
D548,406 S	8/2007	Mihlbauer		
D596,808 S	7/2009	Belter		
D598,612 S	8/2009	Mihlbauer		
D632,847 S	2/2011	Bagnall		

* cited by examiner

Primary Examiner — Wan Laymon

(57) **CLAIM**

The ornamental design for an aquarium, as shown and described.

DESCRIPTION

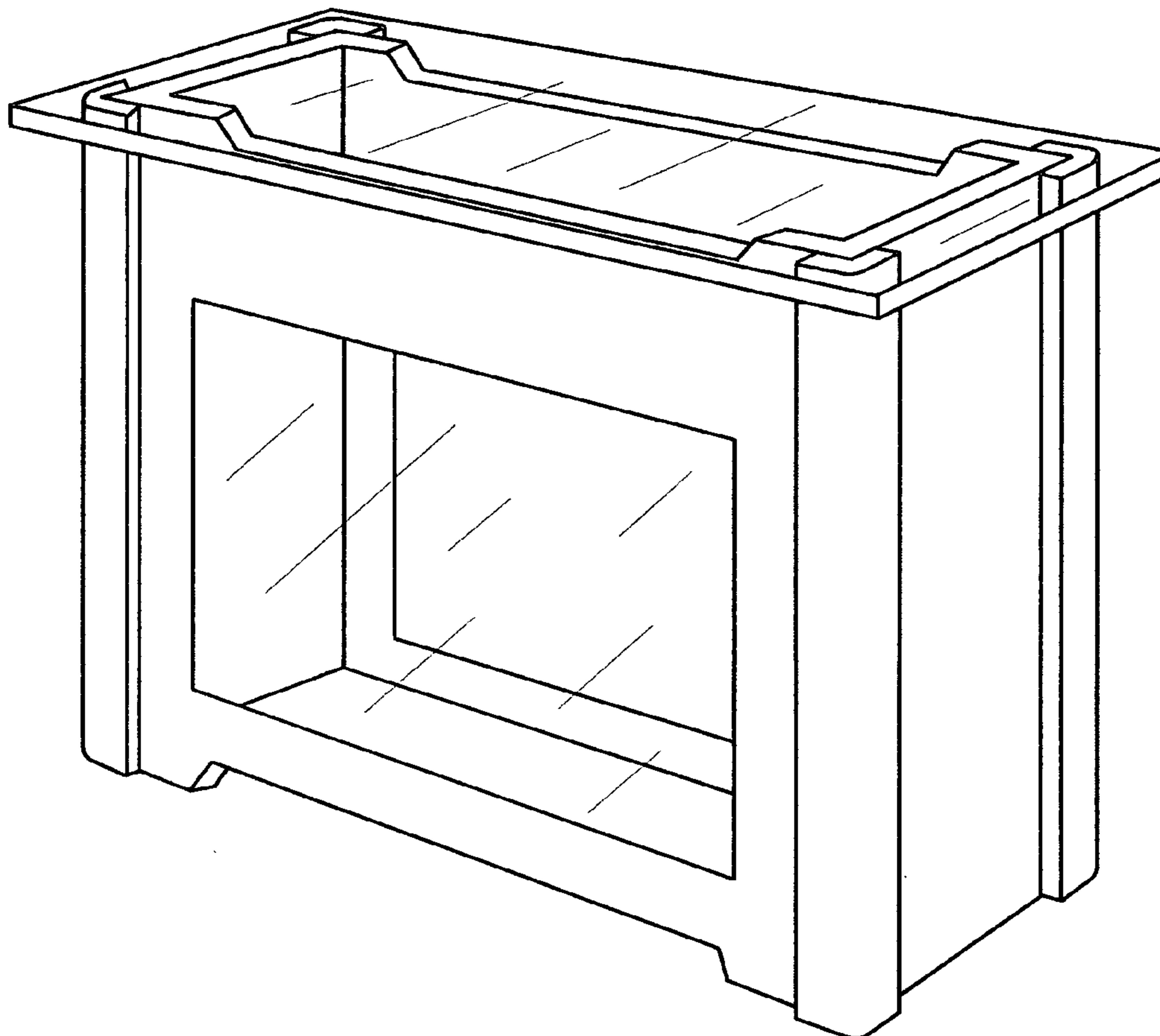
FIG. 1 is a front elevational view of an aquarium showing my new design, the rear being the same as the front shown; FIG. 2 is a perspective view thereof; FIG. 3 is a top plan view thereof; and, FIG. 4 is a side elevational view thereof; the opposite side being the same as the side shown.

1 Claim, 3 Drawing Sheets

(56) **References Cited**

U.S. PATENT DOCUMENTS

1,432,827 A *	10/1922	Bauer	119/269
1,956,524 A *	4/1934	Byram	119/245
2,016,439 A *	10/1935	Hogan	119/269
2,787,981 A *	4/1957	Landesberg	119/269
2,792,811 A *	5/1957	Di Chiaro	119/269
3,434,749 A *	3/1969	Meyer	119/269
3,721,366 A *	3/1973	Battershall et al.	119/269
3,738,319 A *	6/1973	Dinnerstein	119/269



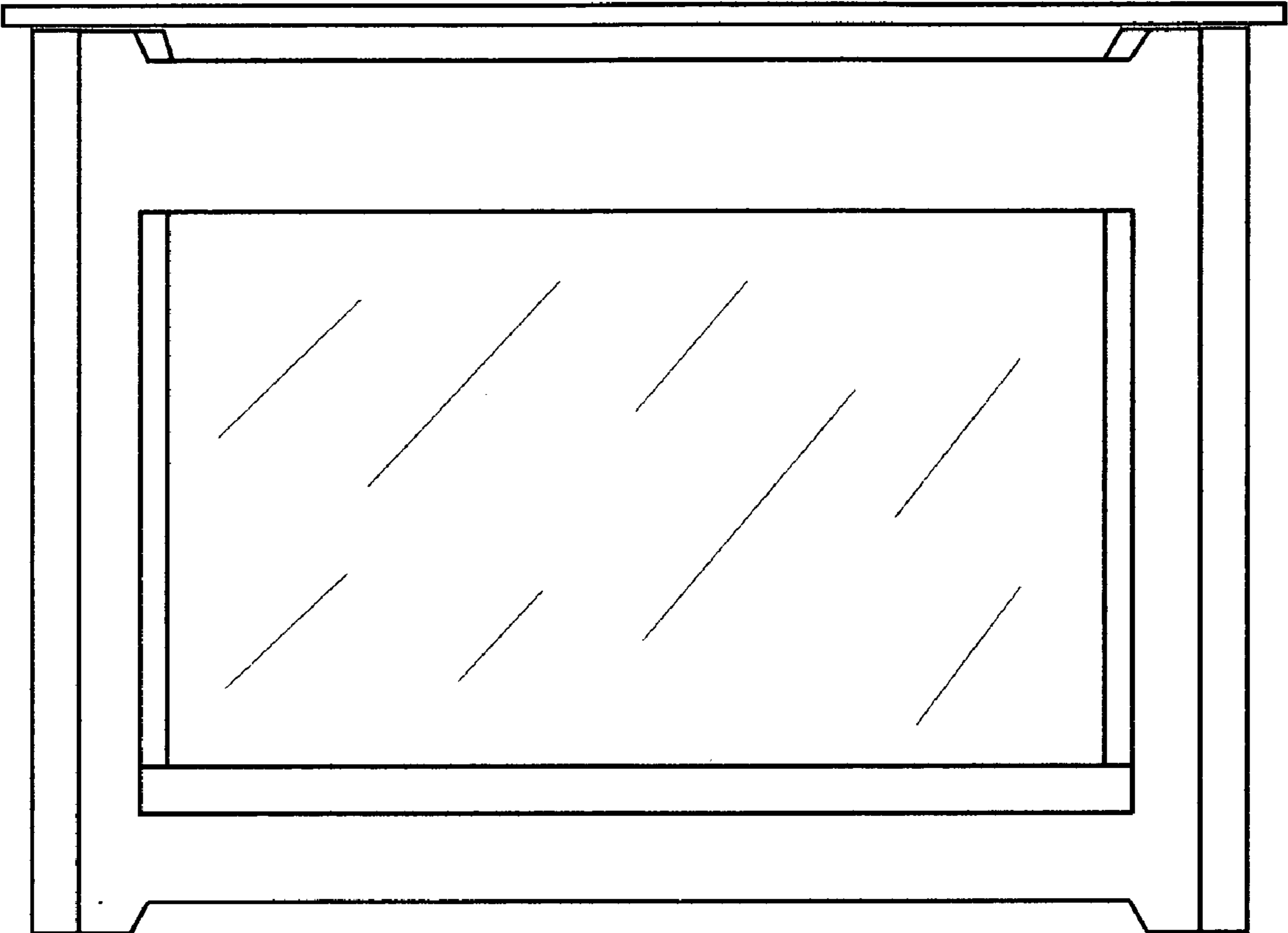


FIG. 1

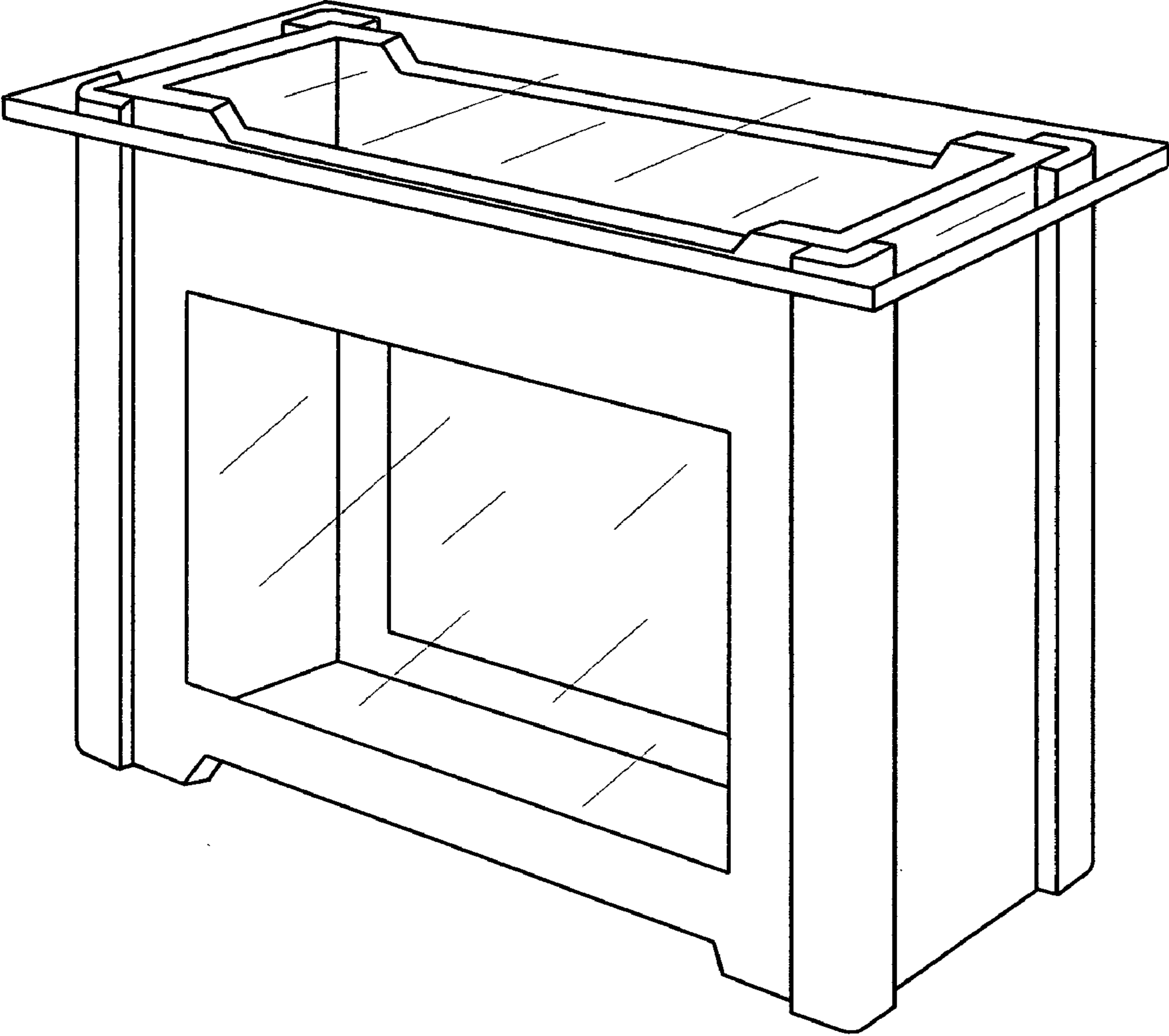


FIG. 2

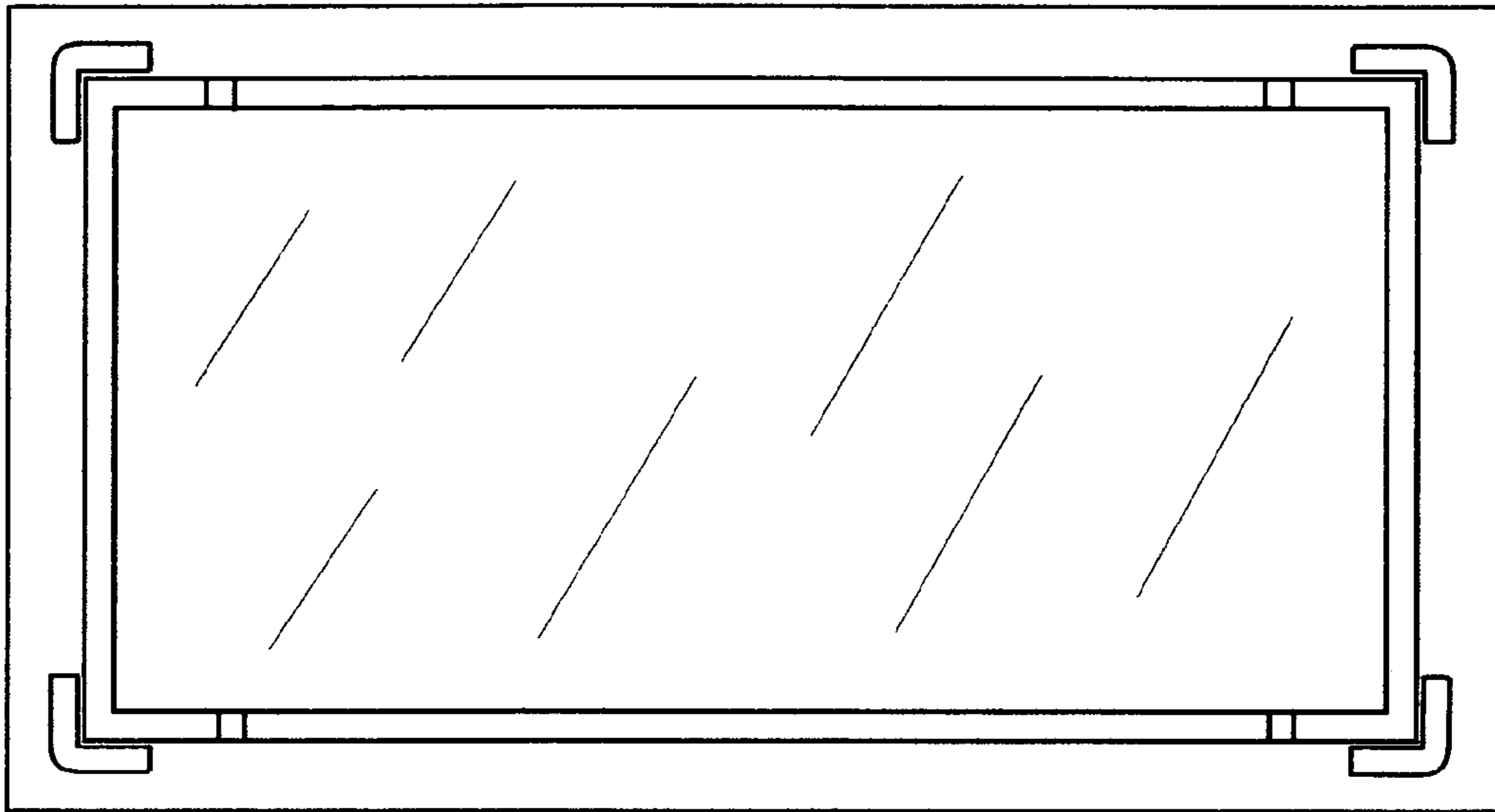


FIG. 3

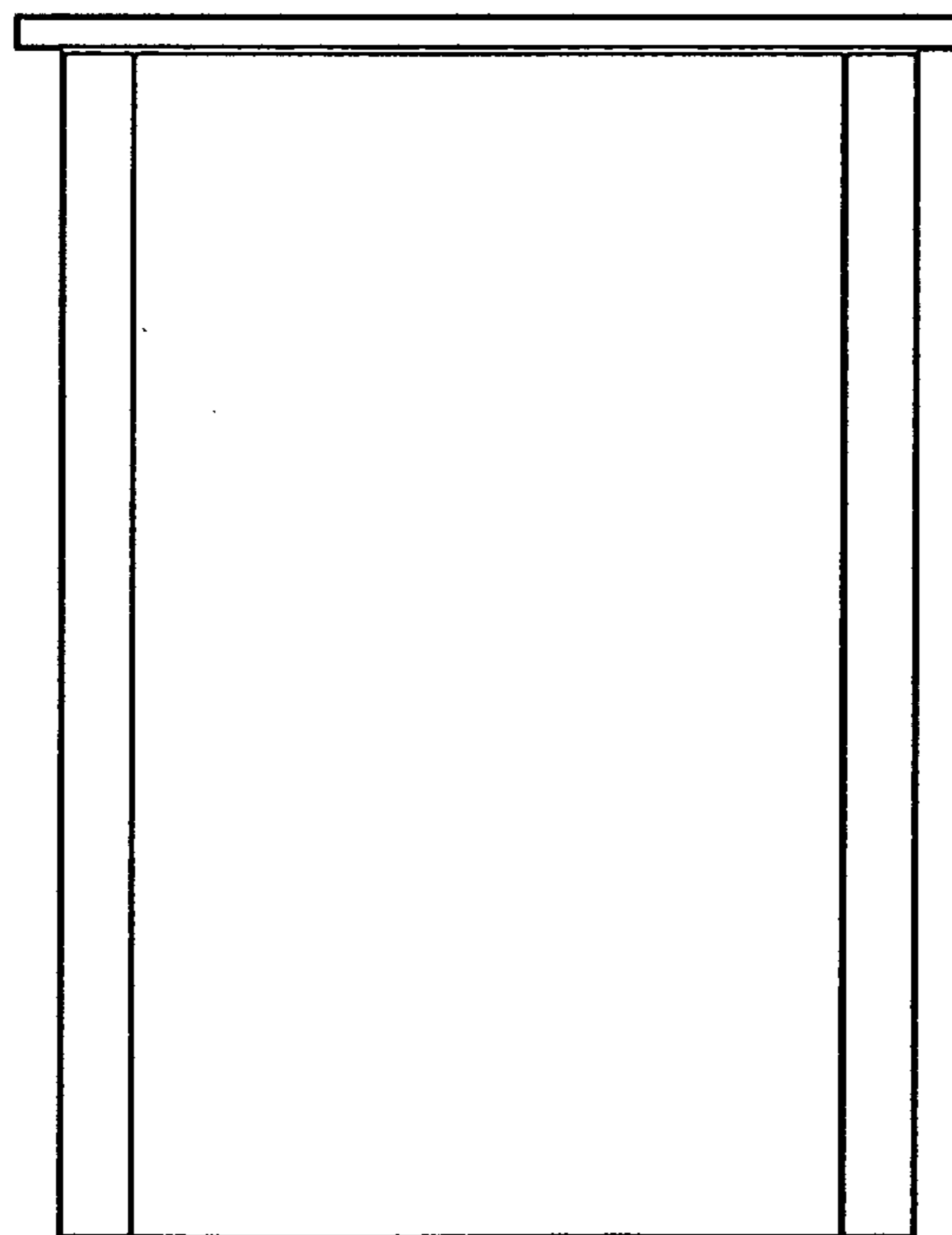


FIG. 4