



US00D655051S

(12) **United States Design Patent**
O’Keefe et al.

(10) **Patent No.:** **US D655,051 S**

(45) **Date of Patent:** **** Feb. 28, 2012**

(54) **IDENTIFICATION DEVICE**

(75) Inventors: **Eoin S O’Keefe**, Farnborough (GB);
Martin Swan, Farnborough (GB);
Adam J Shohet, Farnborough (GB)

(73) Assignee: **QinetiQ Limited**, London (GB)

(**) Term: **14 Years**

(21) Appl. No.: **29/347,829**

(22) Filed: **Jun. 17, 2010**

(30) **Foreign Application Priority Data**

Dec. 18, 2009 (GB) 4013819

(51) **LOC (9) Cl.** **29-02**

(52) **U.S. Cl.** **D29/122**

(58) **Field of Classification Search** D29/100,
D29/101.1, 102–111, 122; D26/51; D2/865,
D2/866, 867, 878, 891, 892; 2/410, 411,
2/412, 414, 416–425, 5, 6.6, 6.8, 9, 10; 128/201.22;
362/103, 105, 106, 107
See application file for complete search history.

(56) **References Cited**

U.S. PATENT DOCUMENTS

3,026,523	A *	3/1962	Bowers, Sr. et al.	2/416
3,087,164	A *	4/1963	Gilbert	2/419
3,153,792	A *	10/1964	Marietta	2/414
3,175,225	A *	3/1965	Lindblom	2/416
D201,950	S *	8/1965	Andrews, III	D29/122
3,906,548	A *	9/1975	Kallis	2/181.4
D277,112	S *	1/1985	Gordon	D20/11
5,068,922	A *	12/1991	Zahn	2/6.8
H1488	H	9/1995	Campagnuolo et al.	
D364,496	S *	11/1995	Lejuez	D2/892
5,469,579	A *	11/1995	Tremblay et al.	2/7
5,758,947	A *	6/1998	Glatt	362/105

D454,987	S *	3/2002	Hahm	D29/122
D455,525	S *	4/2002	Simpson	D29/122
D458,737	S *	6/2002	Fuerst	D2/892
D482,163	S *	11/2003	Brown	D29/102
6,752,510	B1 *	6/2004	Appiah	362/106
D577,866	S *	9/2008	Frye et al.	D29/122
7,845,816	B2 *	12/2010	Lombard et al.	362/106
7,901,104	B2 *	3/2011	McLean et al.	362/106
7,950,074	B2 *	5/2011	Loizzo	2/422
8,025,432	B2 *	9/2011	Wainright	362/394
2007/0236384	A1	10/2007	Ivtsenkov et al.	
2008/0080171	A1 *	4/2008	Lombard et al.	362/106

FOREIGN PATENT DOCUMENTS

GB	2 282 441	4/1995
WO	WO 2009/098990	8/2009

OTHER PUBLICATIONS

UK Search Report dated Feb. 23, 2010 for GB 0920911.5.

* cited by examiner

Primary Examiner — Elizabeth J Oswecki

(74) *Attorney, Agent, or Firm* — Nixon & Vanderhye P.C.

(57) **CLAIM**

The ornamental design for an identification device, as shown and described.

DESCRIPTION

FIG. 1 is a front perspective view of an identification device showing our new design;

FIG. 2 is a front view thereof;

FIG. 3 is a back view thereof;

FIG. 4 is a top plan view thereof;

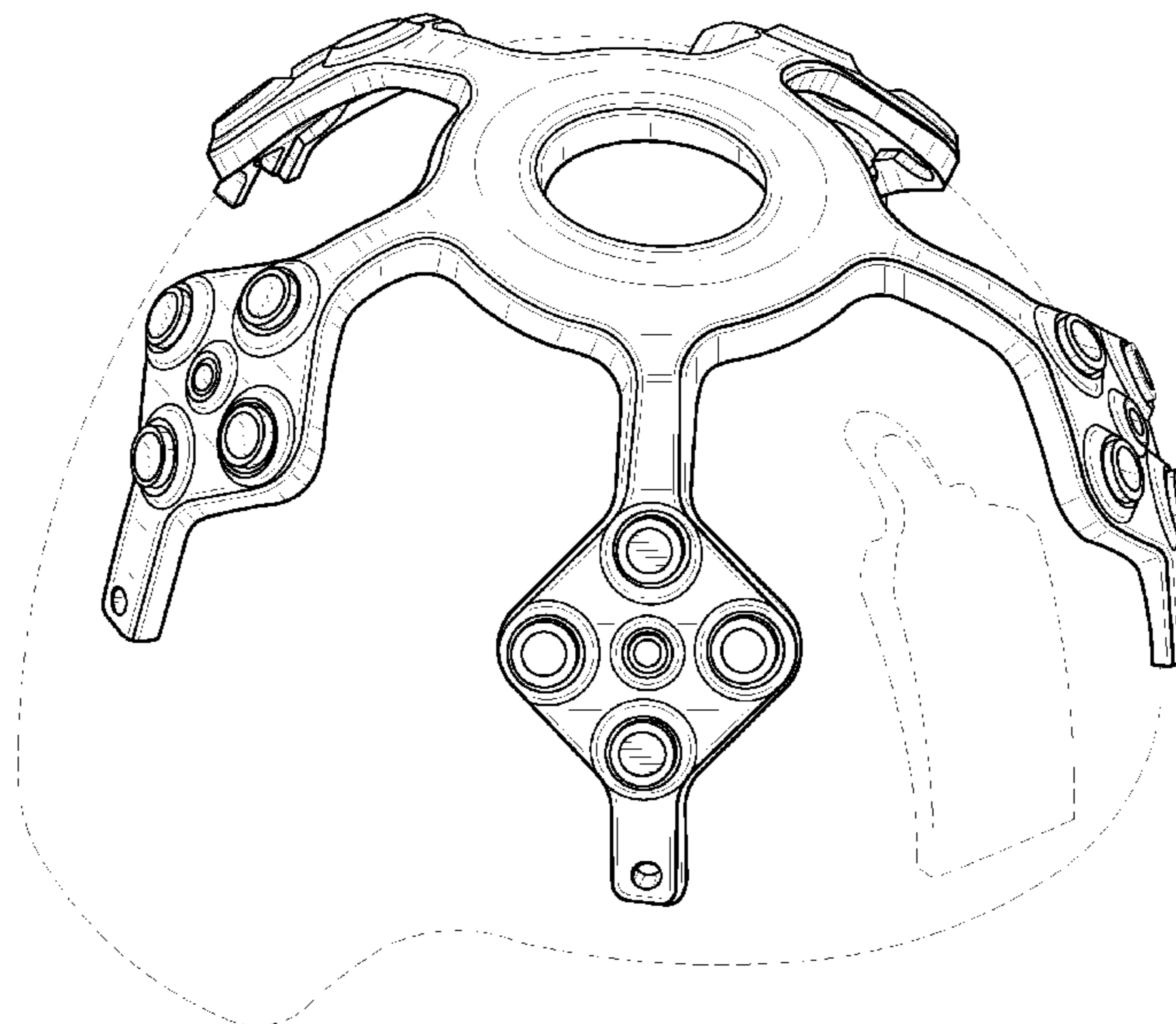
FIG. 5 is a bottom plan view thereof;

FIG. 6 is a right side view thereof; and,

FIG. 7 is a left side view thereof.

In the drawings, the broken lines in FIG. 1 depict portions of the design that form no part of the claim.

1 Claim, 7 Drawing Sheets



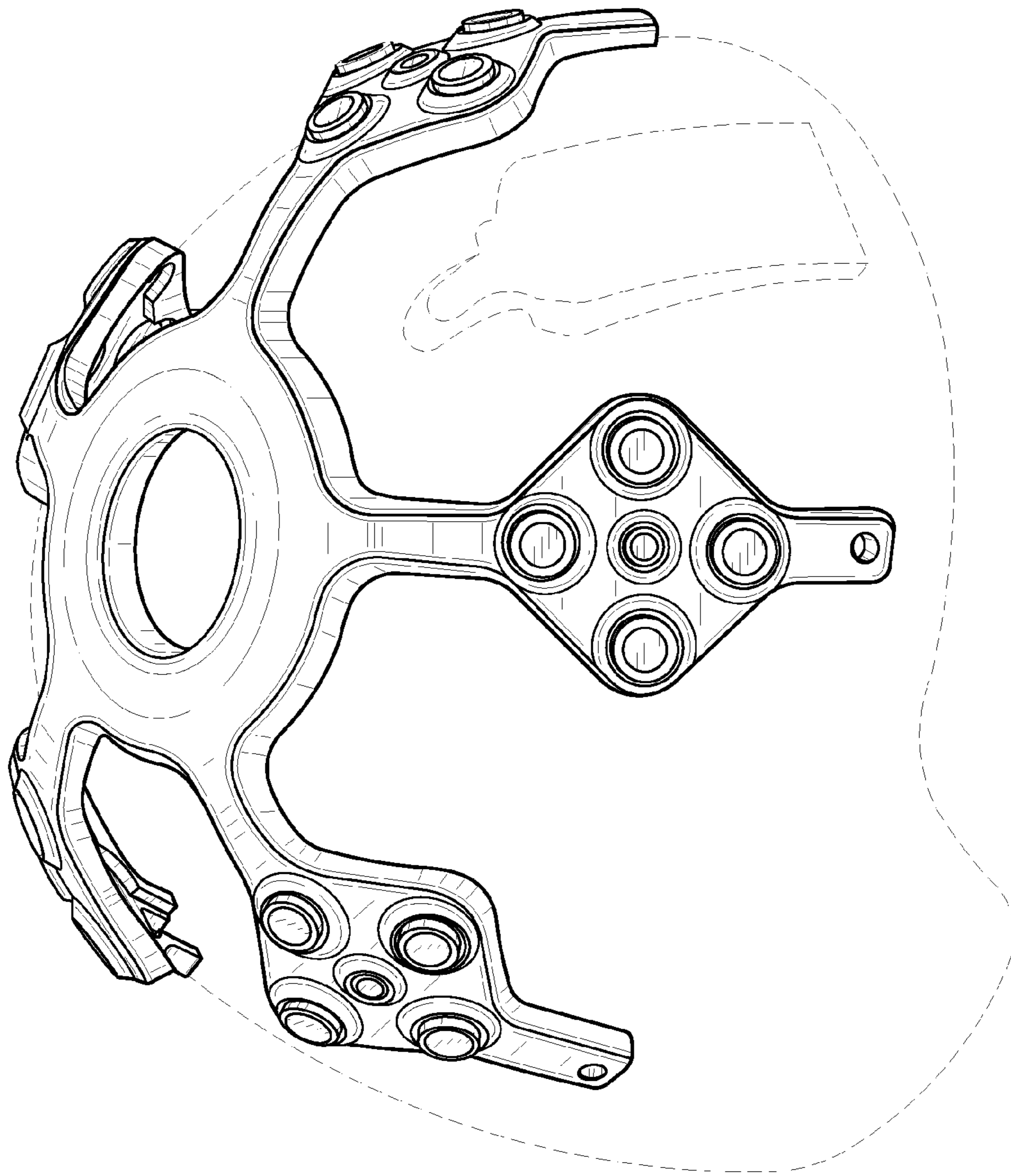


FIG. 1

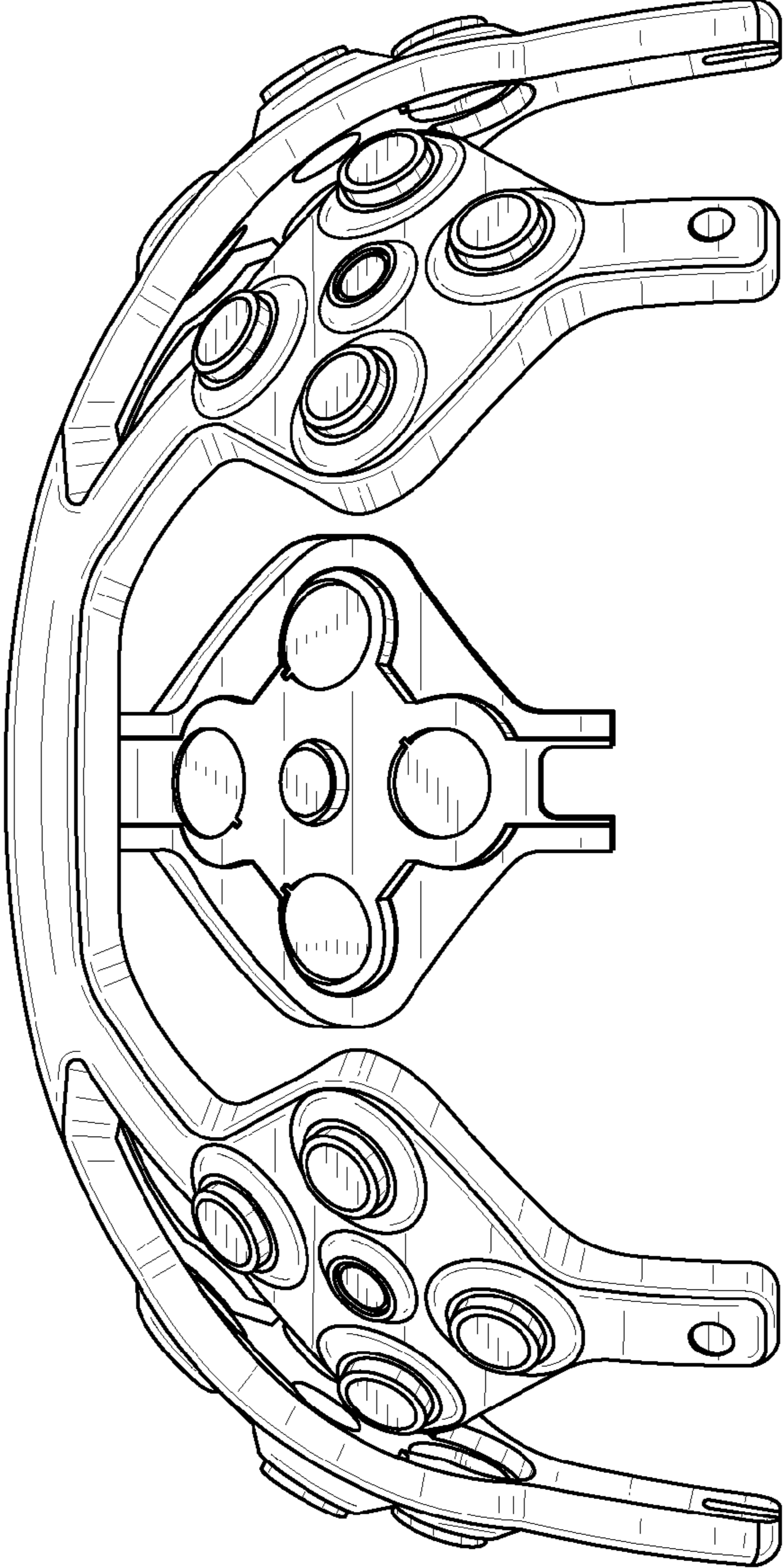


FIG. 2

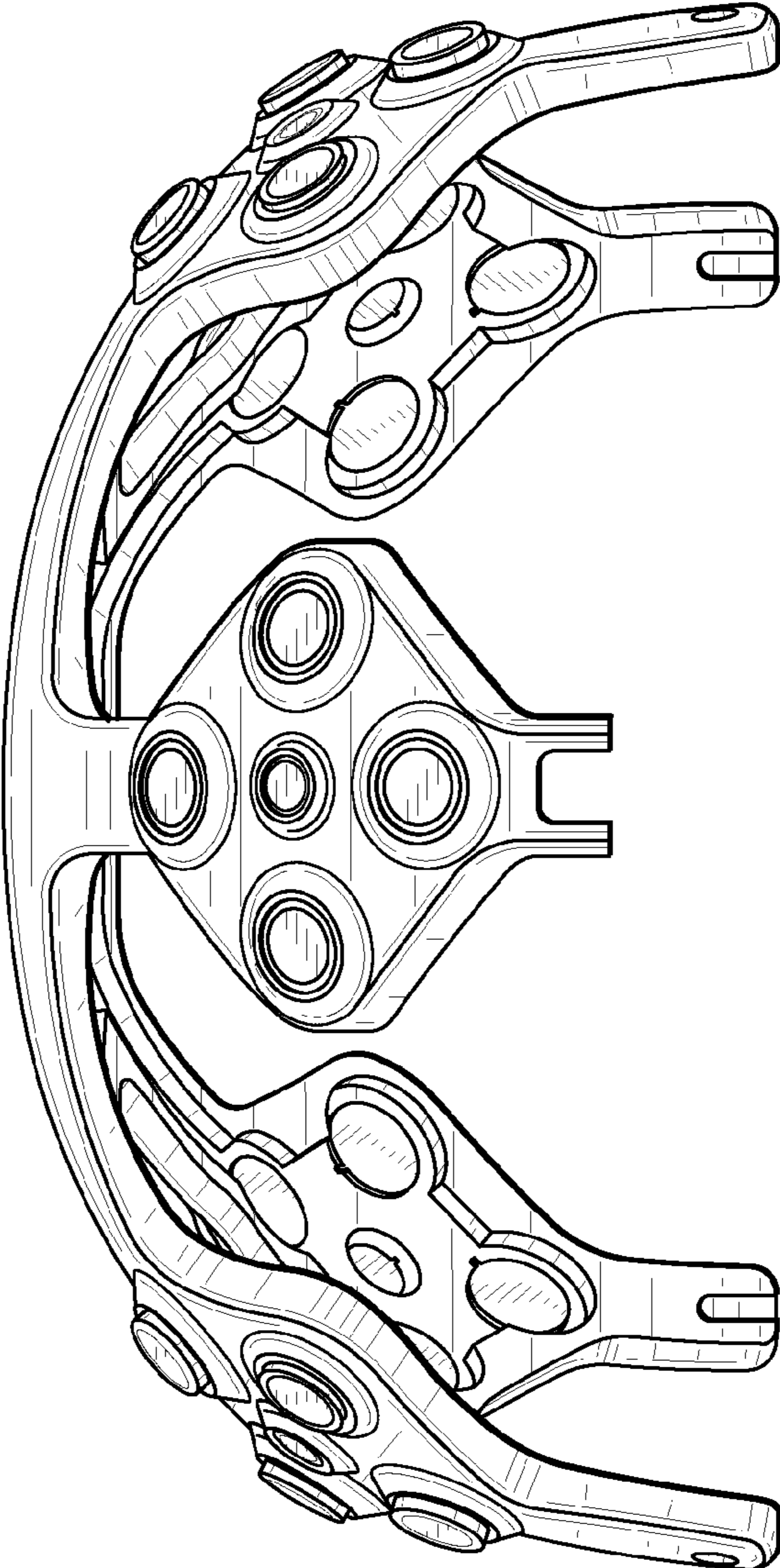


FIG. 3

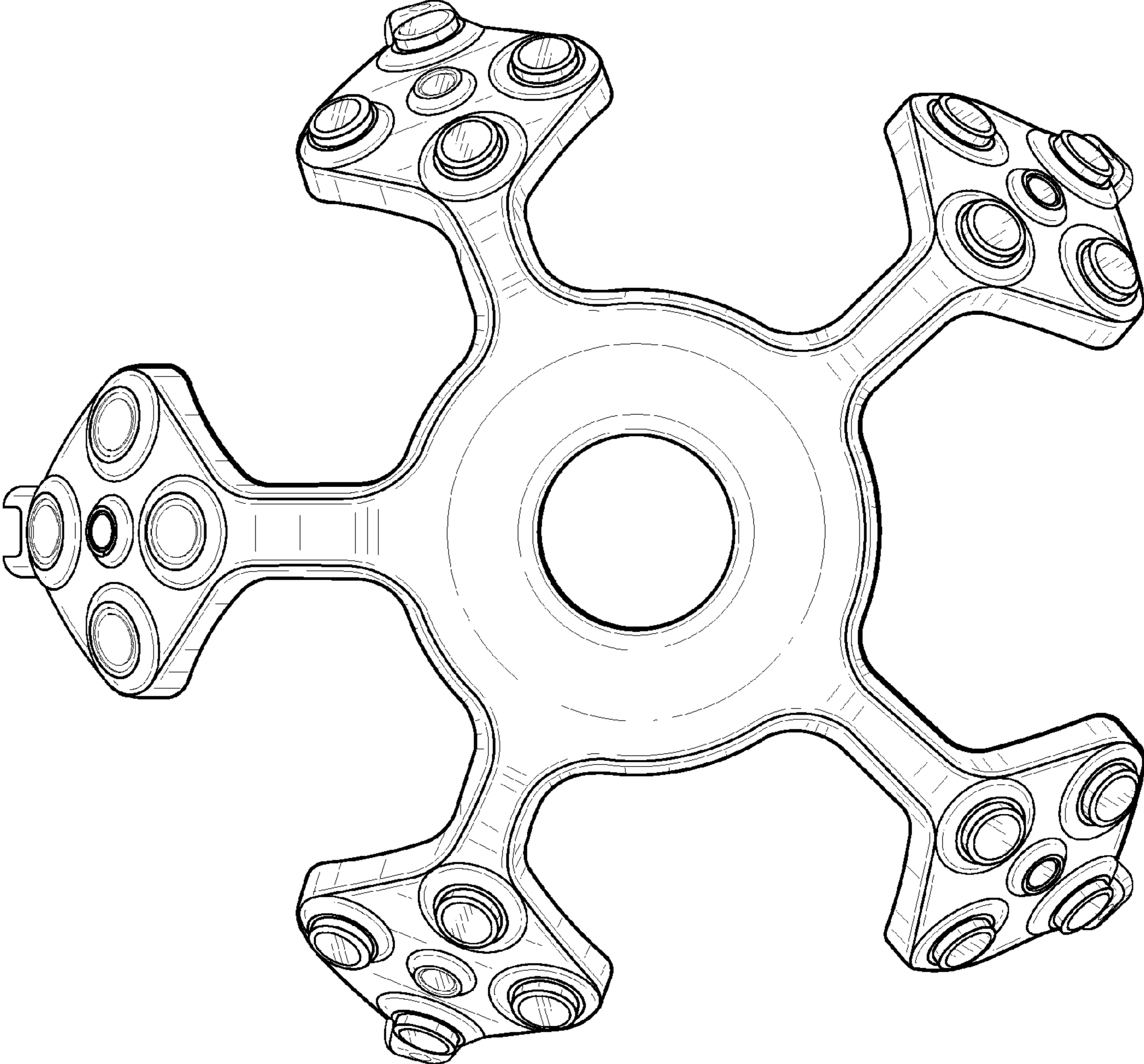


FIG. 4

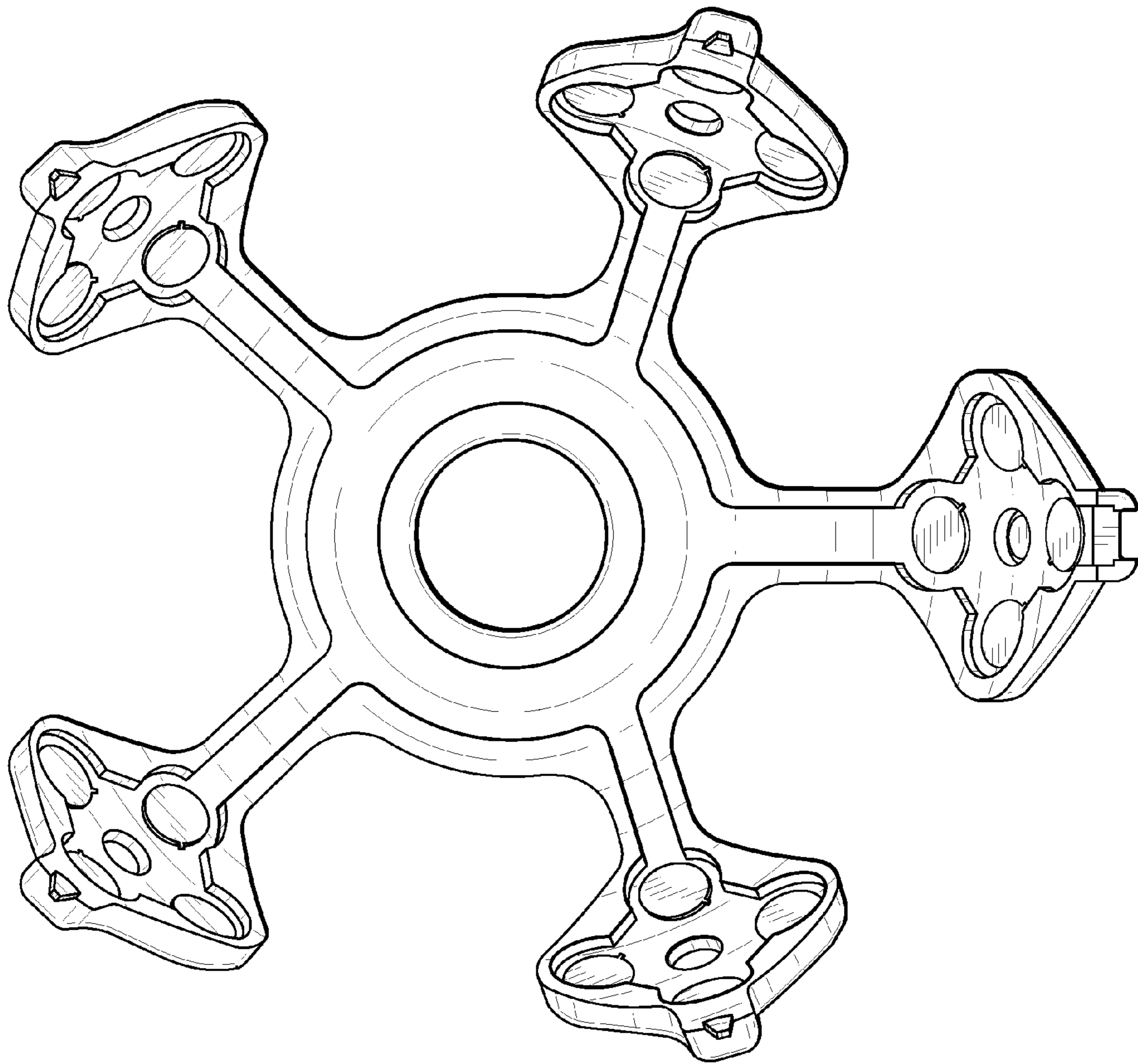


FIG. 5

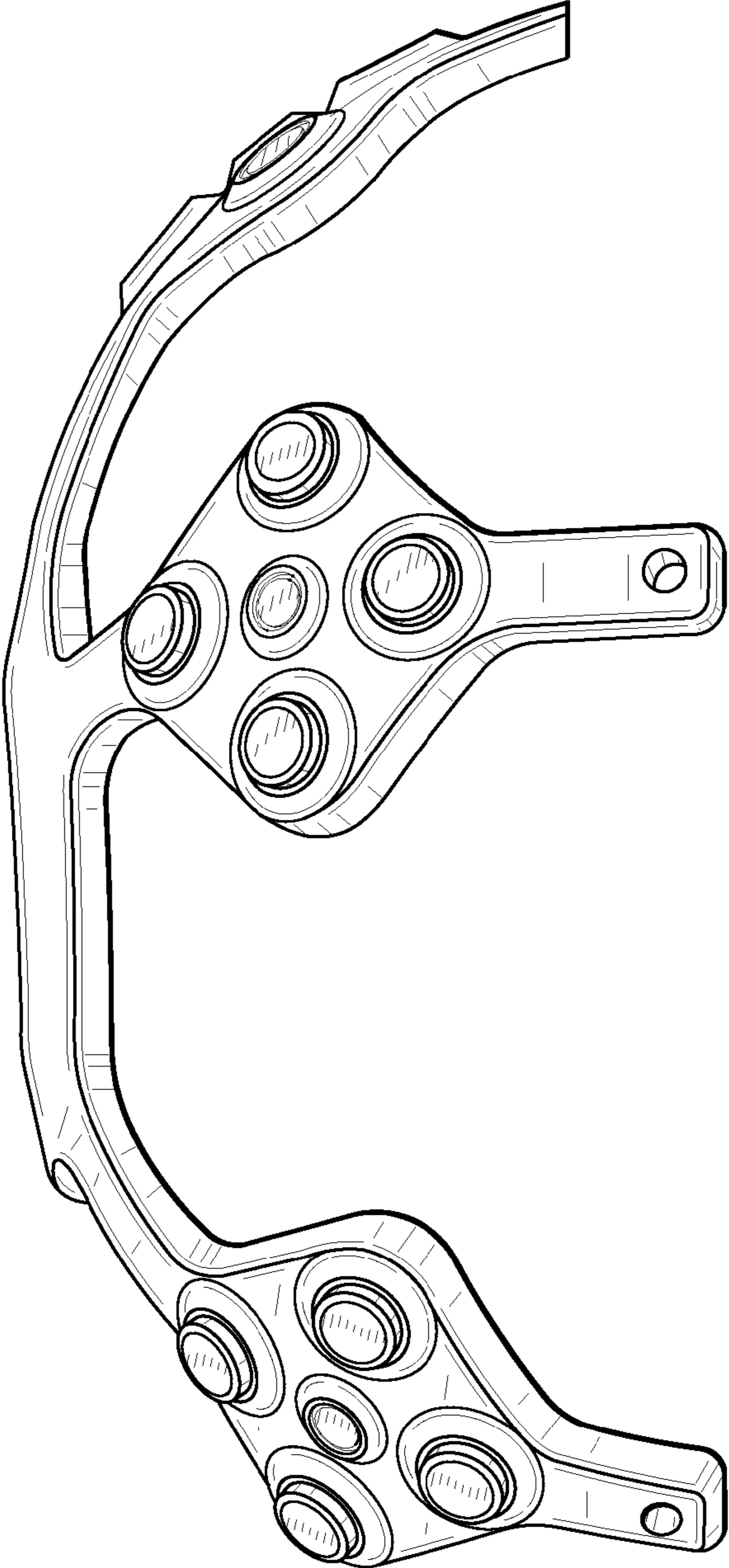


FIG. 6

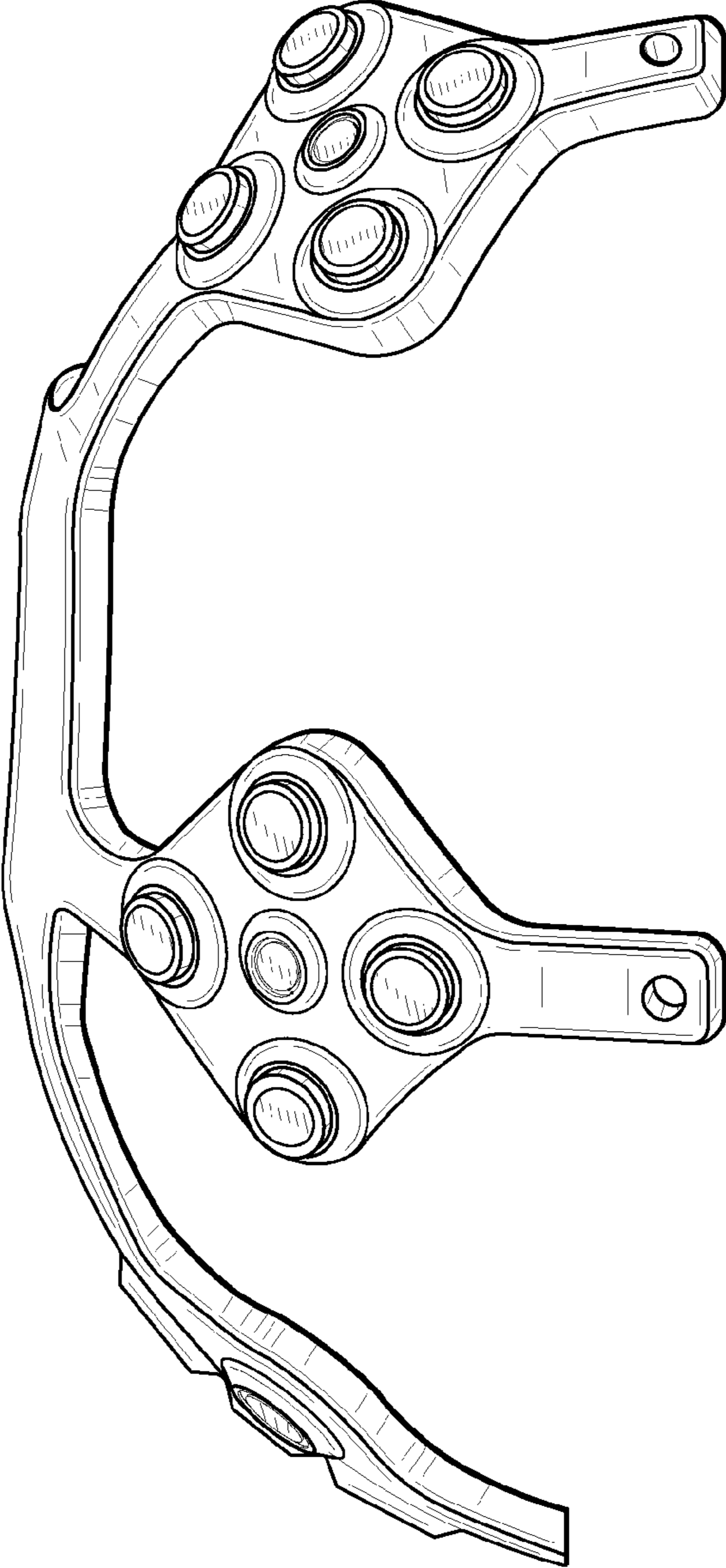


FIG. 7