



US00D655046S

(12) **United States Design Patent**
Nakamura

(10) **Patent No.:** **US D655,046 S**
(45) **Date of Patent:** **** Feb. 28, 2012**

- (54) **COSMETIC COMPACT CASE**
- (75) Inventor: **Koji Nakamura**, Osaka (JP)
- (73) Assignee: **Taiki Corp., Ltd.**, Osaka (JP)
- (**) Term: **14 Years**
- (21) Appl. No.: **29/391,835**
- (22) Filed: **May 13, 2011**

Primary Examiner — Jennifer Rivard
(74) *Attorney, Agent, or Firm* — Knobbe Martens Olson & Bear LLP

(30) **Foreign Application Priority Data**

Mar. 30, 2011 (JP) 2011-007232

- (51) **LOC (9) Cl.** **28-03**
- (52) **U.S. Cl.** **D28/83**
- (58) **Field of Classification Search** D28/73,
D28/76-84; D3/294-296, 901; 206/581,
206/823; 132/286-318
See application file for complete search history.

(57) **CLAIM**
The ornamental design for a cosmetic compact case, as shown and described.

DESCRIPTION

FIG. 1 is a front elevation of the cosmetic compact case, showing my new design;
FIG. 2 is a rear elevation thereof;
FIG. 3 is a right side elevation thereof, the side opposite being a mirror image;
FIG. 4 is a top plan view thereof;
FIG. 5 is a bottom plan view thereof;
FIG. 6 is a sectional view taken along line 6-6 in FIG. 4;
FIG. 7 is a sectional view taken along line 7-7 in FIG. 4;
FIG. 8 is a perspective view of the cosmetic compact case in use;
FIG. 9 is a perspective view of the cosmetic compact case in use; and,
FIG. 10 is a perspective view of the cosmetic compact case in use.
The mirror, cosmetic tools and cosmetics are shown in broken lines and form no part of the claimed design.

(56) **References Cited**

U.S. PATENT DOCUMENTS

D338,279	S	*	8/1993	Davis	D28/83
6,138,686	A	*	10/2000	Yuhara	132/294
D433,539	S	*	11/2000	Gavin	D28/78
D452,939	S	*	1/2002	Lai	D28/77
D511,025	S	*	10/2005	Martinez	D28/83
D518,603	S	*	4/2006	Dittmer et al.	D28/83
D583,997	S	*	12/2008	Thorpe	D28/83
D643,155	S	*	8/2011	Ohmoto et al.	D28/83
2011/0253166	A1	*	10/2011	Lin	132/307

* cited by examiner

1 Claim, 7 Drawing Sheets

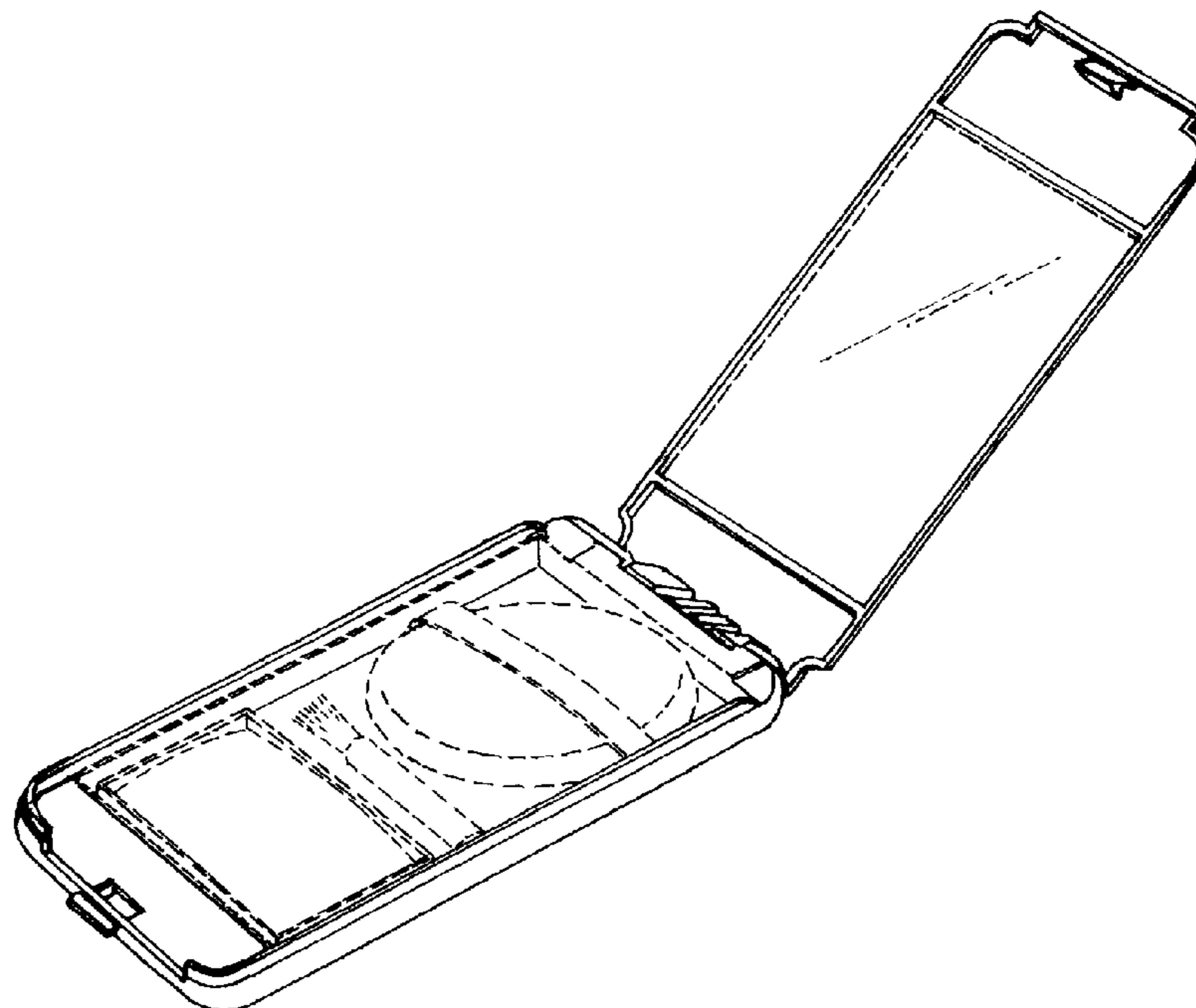


FIG. 1

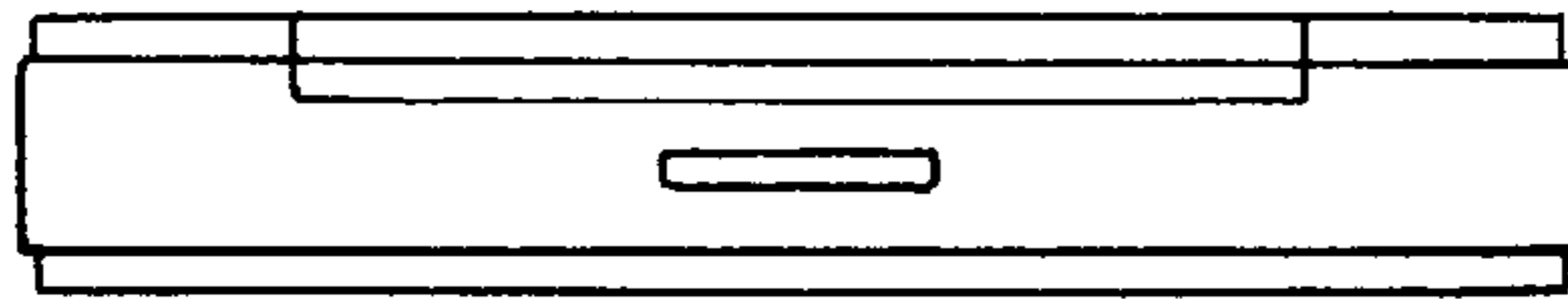


FIG. 2



FIG. 3

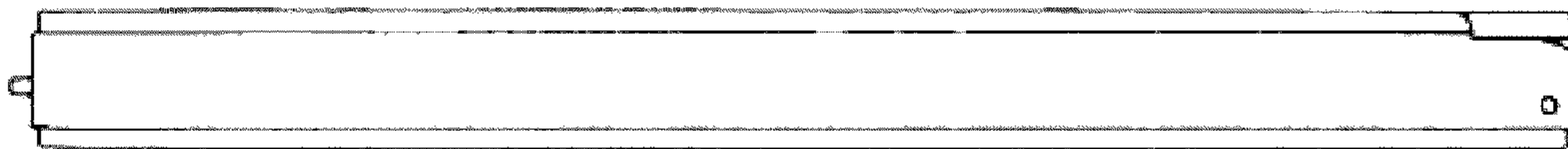


FIG. 4

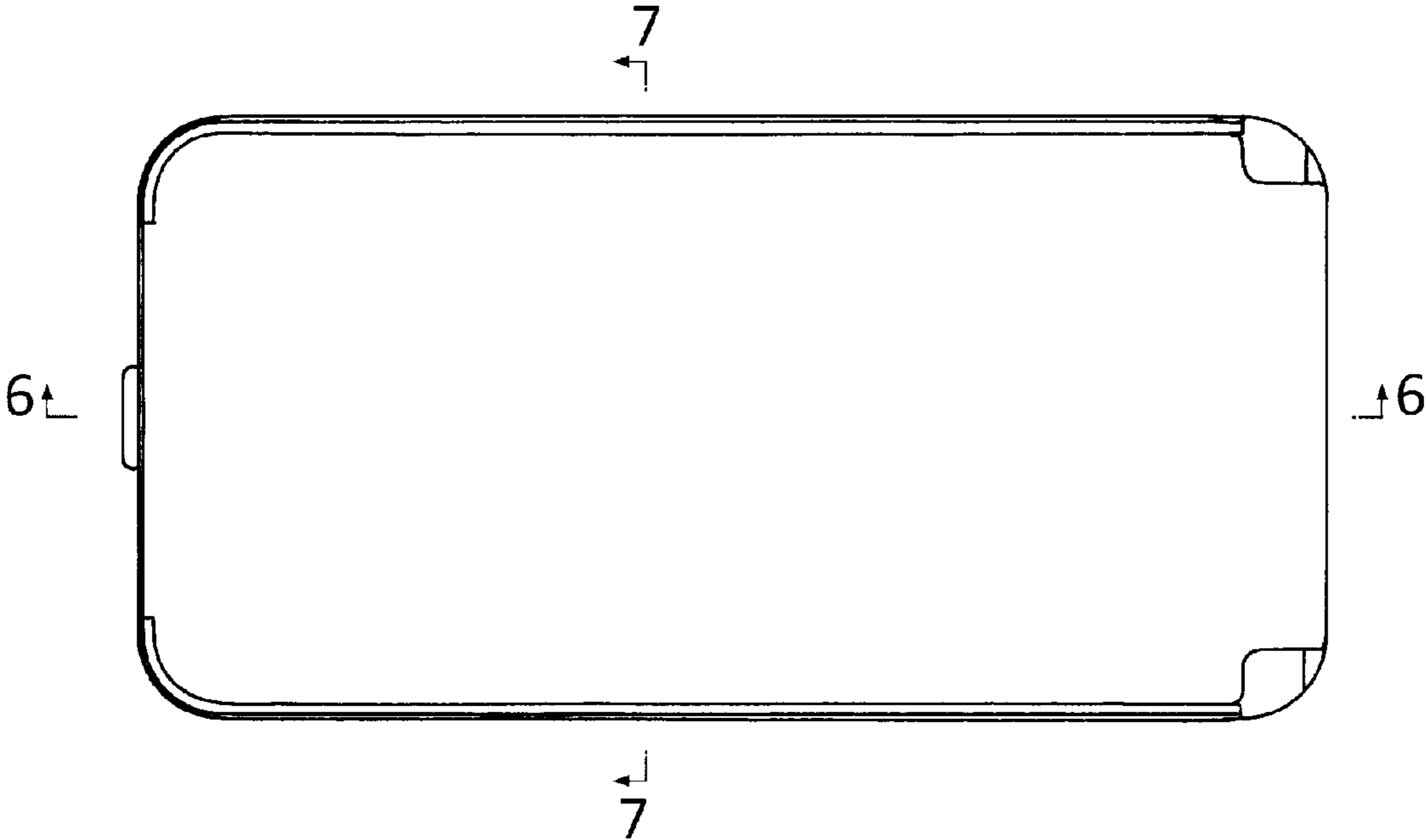


FIG. 5

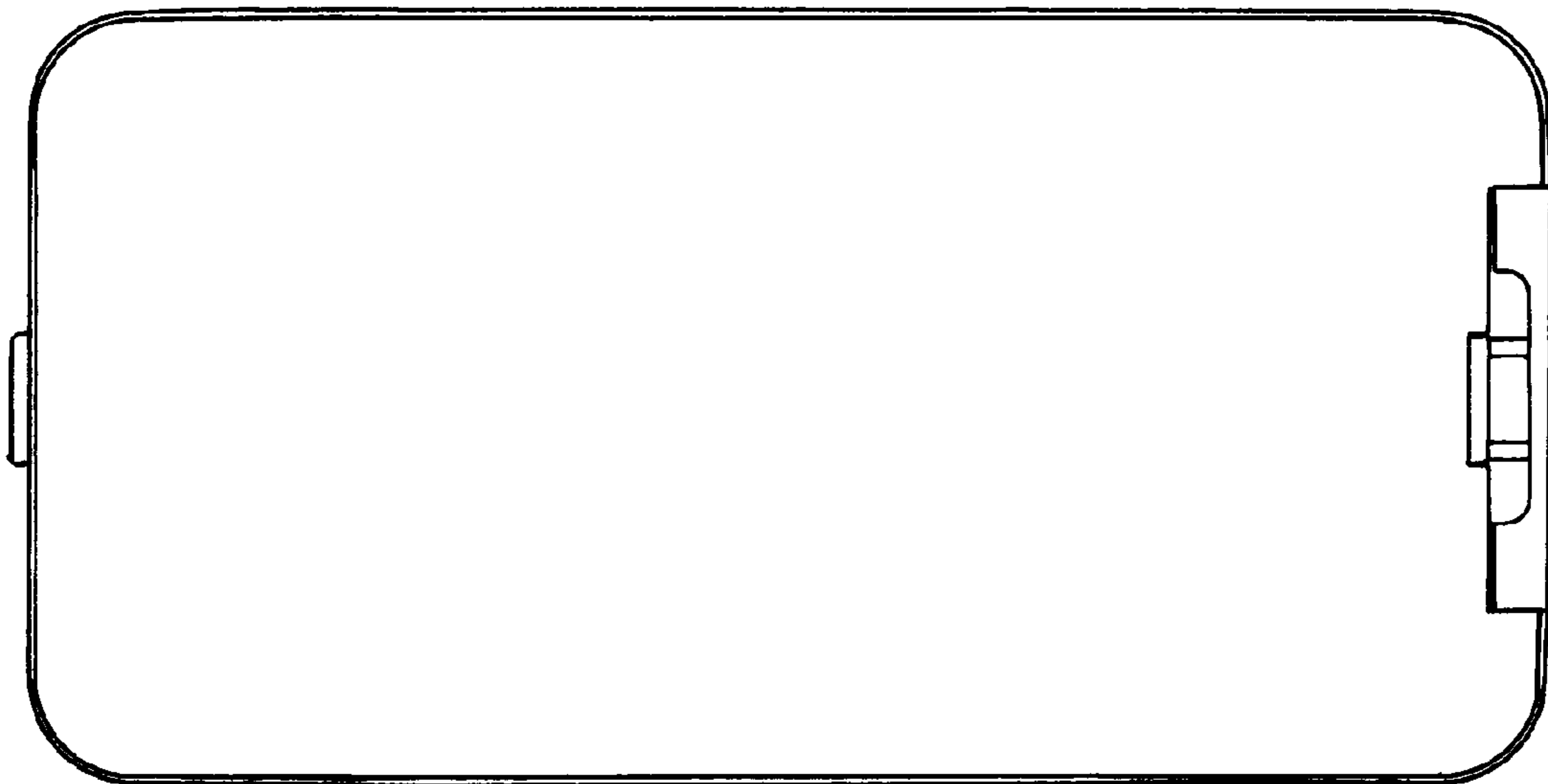


FIG. 6



FIG. 7

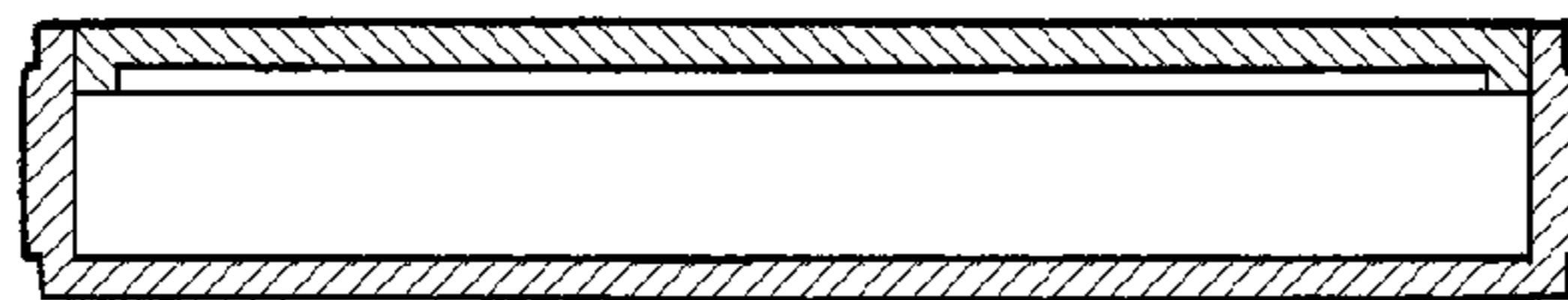


FIG. 8

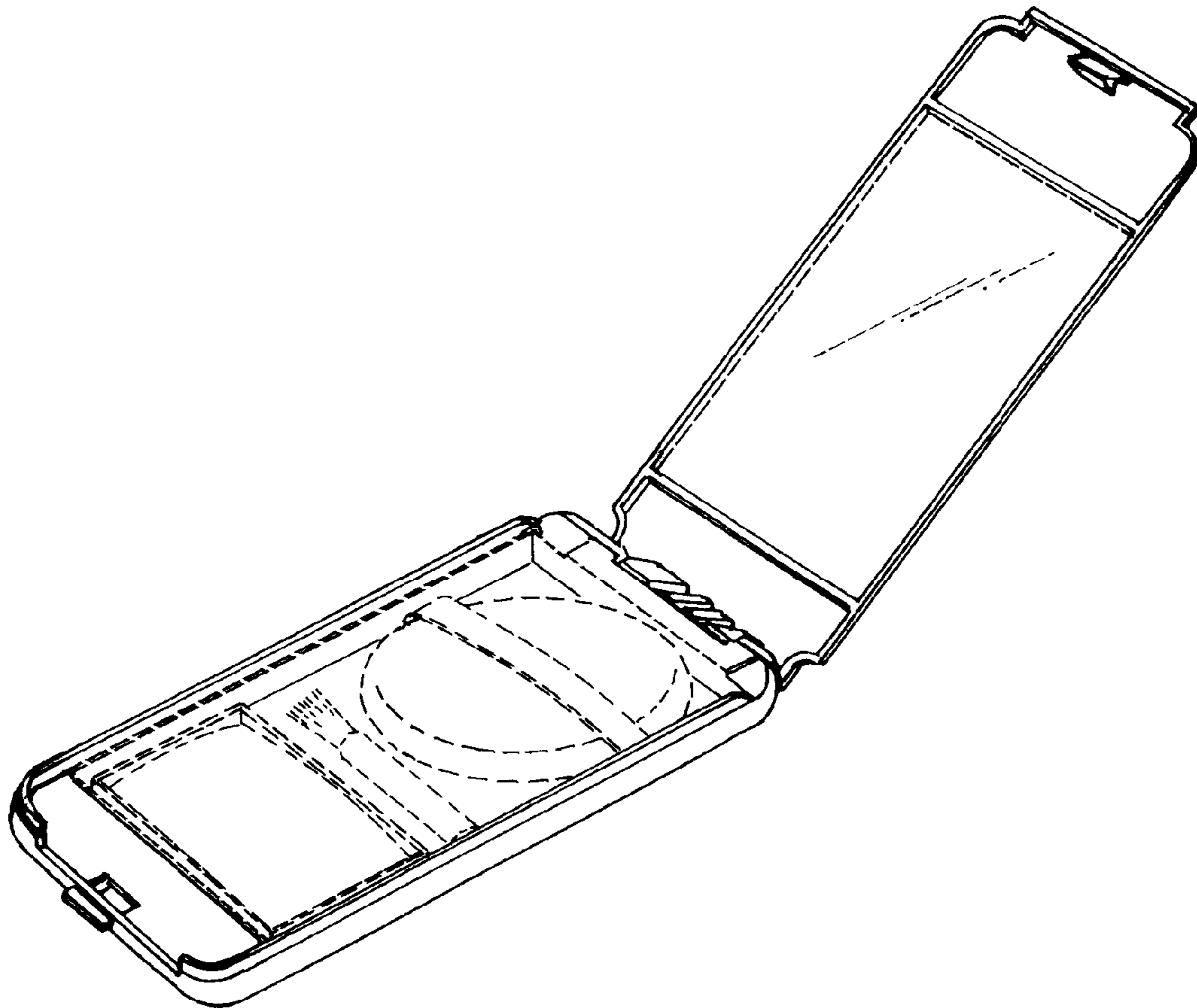


FIG. 9

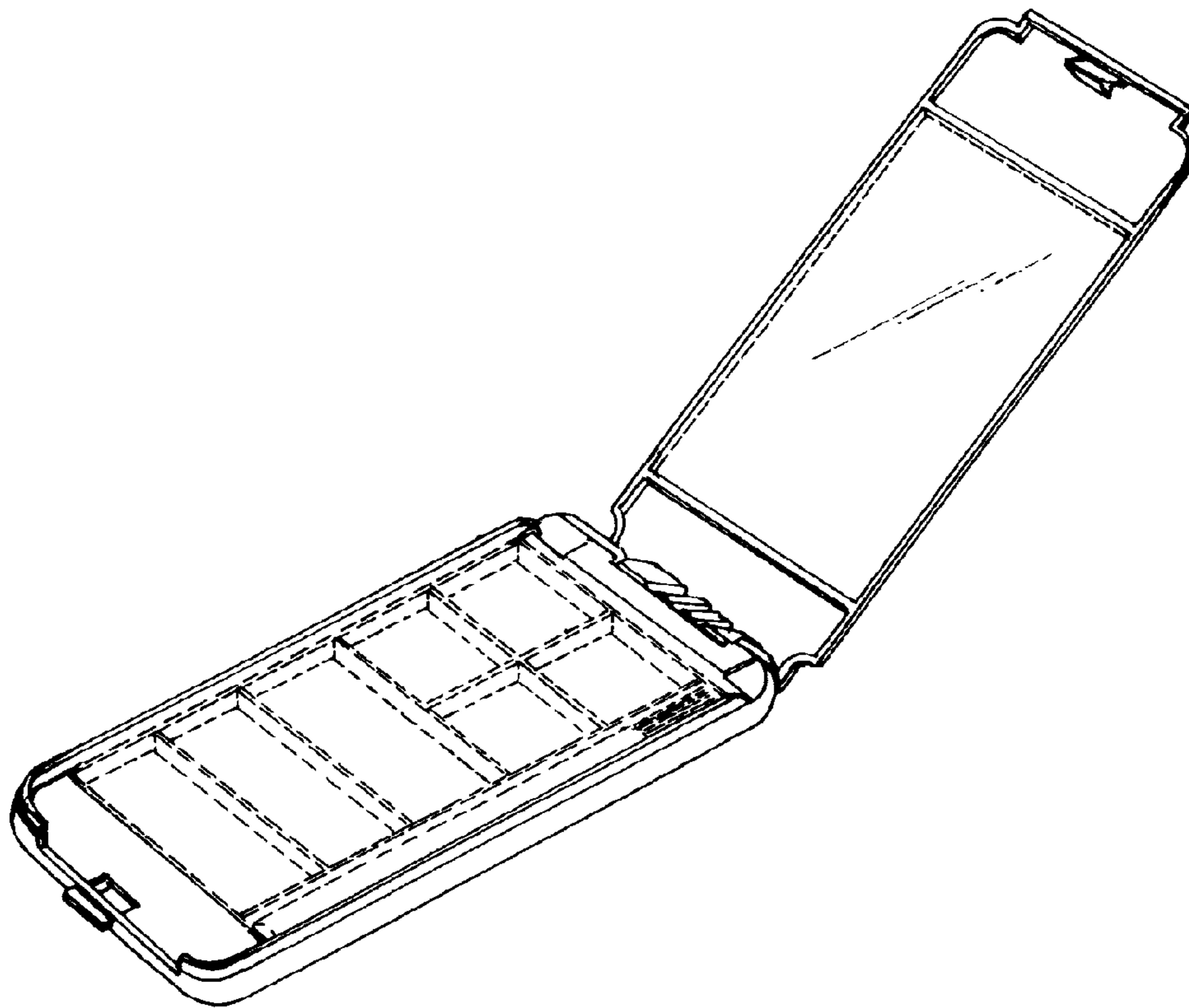


FIG. 10

