



US00D655043S

(12) **United States Design Patent**
Tokar

(10) **Patent No.:** **US D655,043 S**

(45) **Date of Patent:** **** Feb. 28, 2012**

(54) **CLIPPER BLADE**

(75) Inventor: **Ludovit Tokar**, Heimiswil (CH)

(73) Assignee: **Heiniger AG** (CH)

(**) Term: **14 Years**

(21) Appl. No.: **29/375,495**

(22) Filed: **Sep. 23, 2010**

(30) **Foreign Application Priority Data**

Mar. 23, 2010 (CH) DM/073 252

(51) **LOC (9) Cl.** **28-03**

(52) **U.S. Cl.** **D28/54**

(58) **Field of Classification Search** 30/32, 34.05,
30/34.1-34.2, 30-31, 43-43.92, 44-45, 47-51,
30/77-84, 526-541, 346.5-346.61, 194-196,
30/198-205, 208-216, 233-233.5, 152, 355;
D28/44-44.1, 45-54

See application file for complete search history.

(56) **References Cited**

U.S. PATENT DOCUMENTS

4,614,032	A *	9/1986	Szabo	30/31
D435,694	S *	12/2000	Lebherz	D28/53
D445,541	S *	7/2001	Wursthorn	D28/53
D470,272	S *	2/2003	Fong	D28/53
D568,541	S *	5/2008	Micinilio	D28/53
7,624,506	B2 *	12/2009	Melton et al.	30/216
D617,951	S *	6/2010	Shen	D28/54

D620,201	S *	7/2010	Bishop	D28/53
D622,907	S *	8/2010	Schwer et al.	D28/53
D628,745	S *	12/2010	Dingelstad	D28/53
2004/0025349	A1 *	2/2004	O	30/43.92
2006/0230621	A1 *	10/2006	Liao	30/223
2008/0072437	A1 *	3/2008	Michel	30/201
2008/0083113	A1 *	4/2008	Hong	29/623.4
2008/0209741	A1 *	9/2008	Chen et al.	30/238

* cited by examiner

Primary Examiner — Jennifer Rivard

(74) *Attorney, Agent, or Firm* — Ostrolenk Faber LLP

(57) **CLAIM**

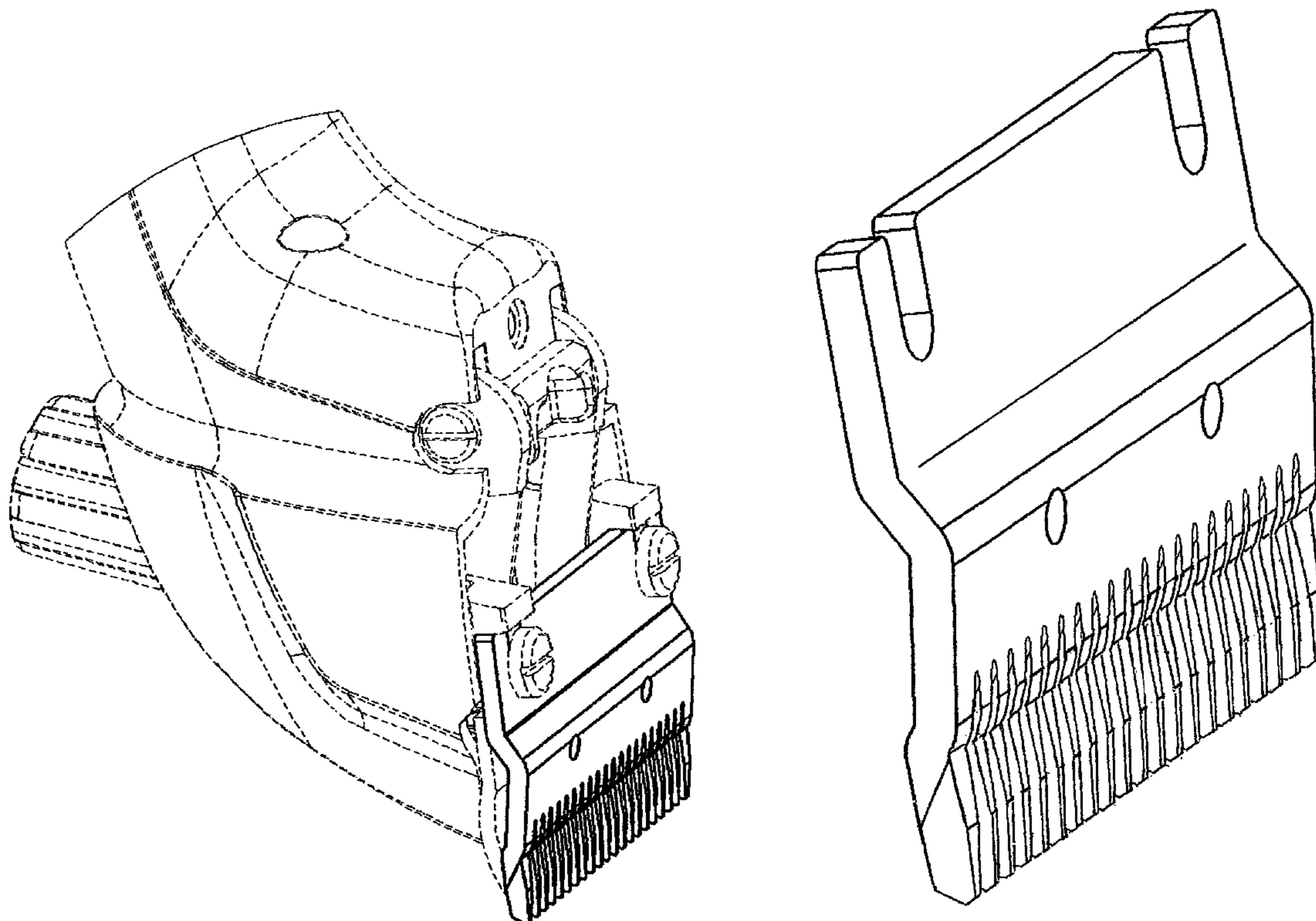
The ornamental design for a clipper blade, as shown and described.

DESCRIPTION

FIG. 1 is a bottom, left side, rear, perspective view of a clipper blade showing my new design;
FIG. 2 is a bottom, left side, rear, perspective view thereof;
FIG. 3 is a top, right side, front, perspective view thereof;
FIG. 4 is a top, left side, front, perspective view thereof;
FIG. 5 is a bottom, right side, rear, perspective view thereof;
FIG. 6 is a bottom view thereof;
FIG. 7 is a top view thereof;
FIG. 8 is a right side view thereof; and,
FIG. 9 is a left side view thereof.

The broken lines in the drawings illustrate environmental material that forms no part of the claimed design.

1 Claim, 9 Drawing Sheets



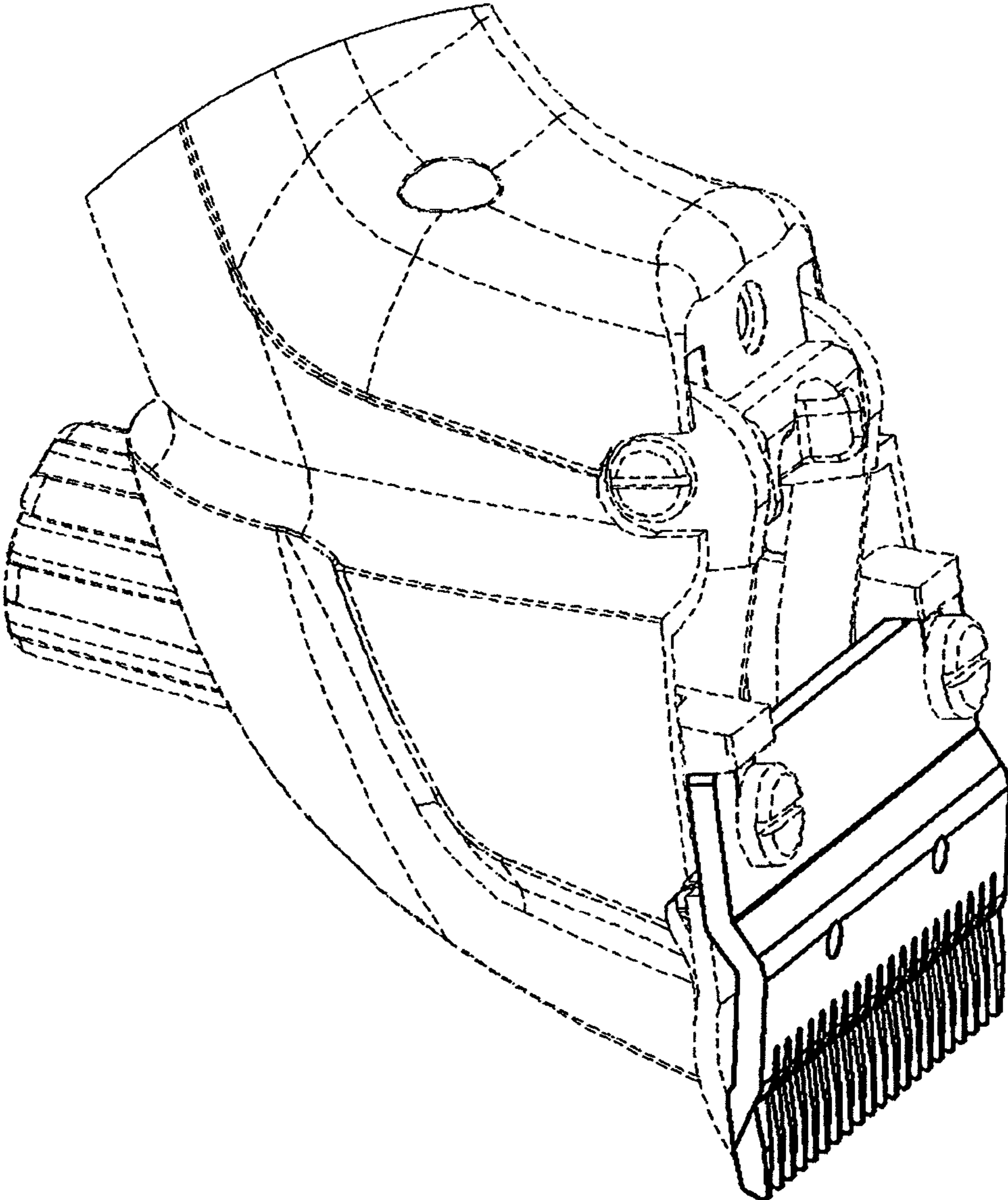


FIG. 1

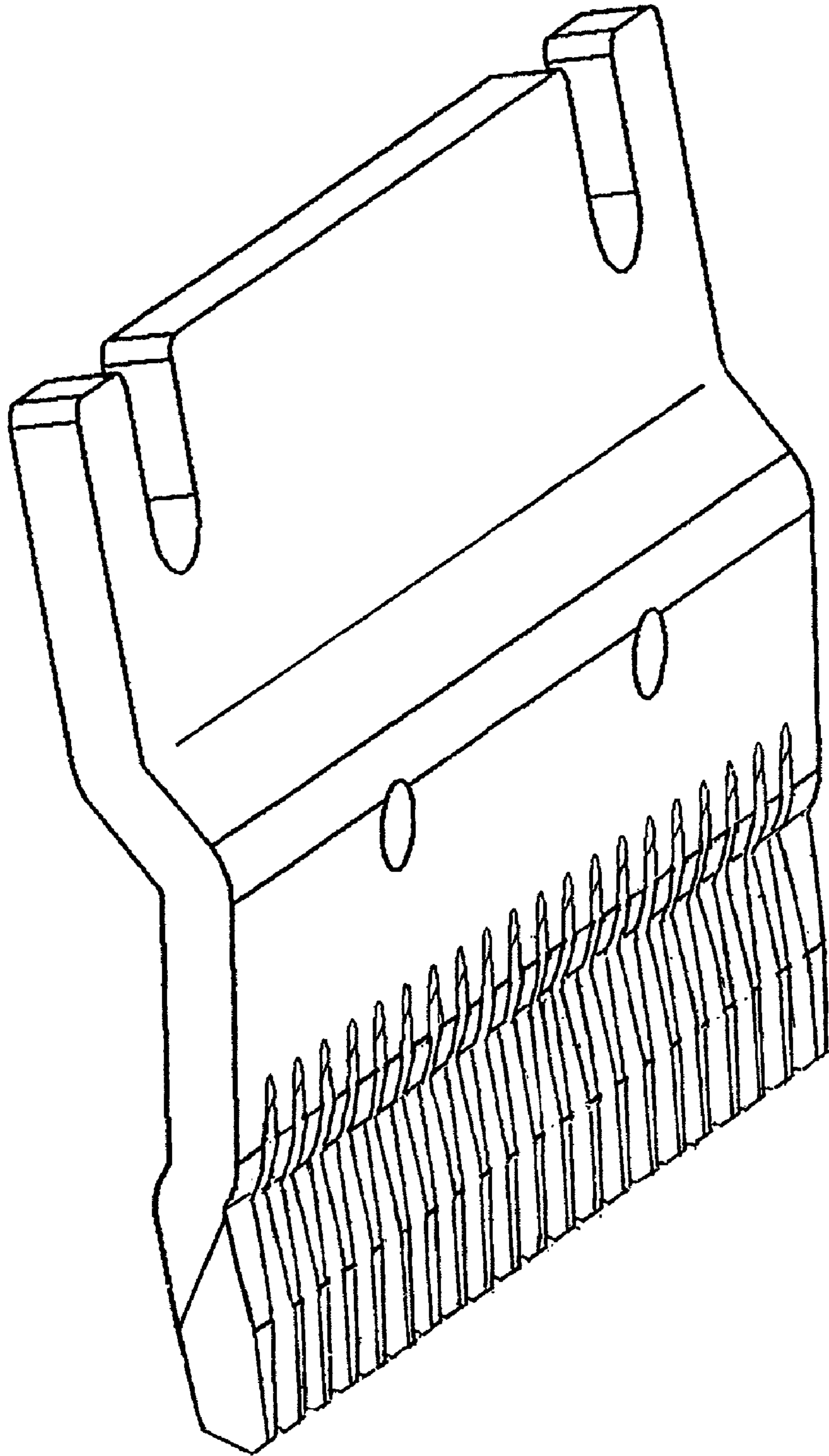


FIG. 2

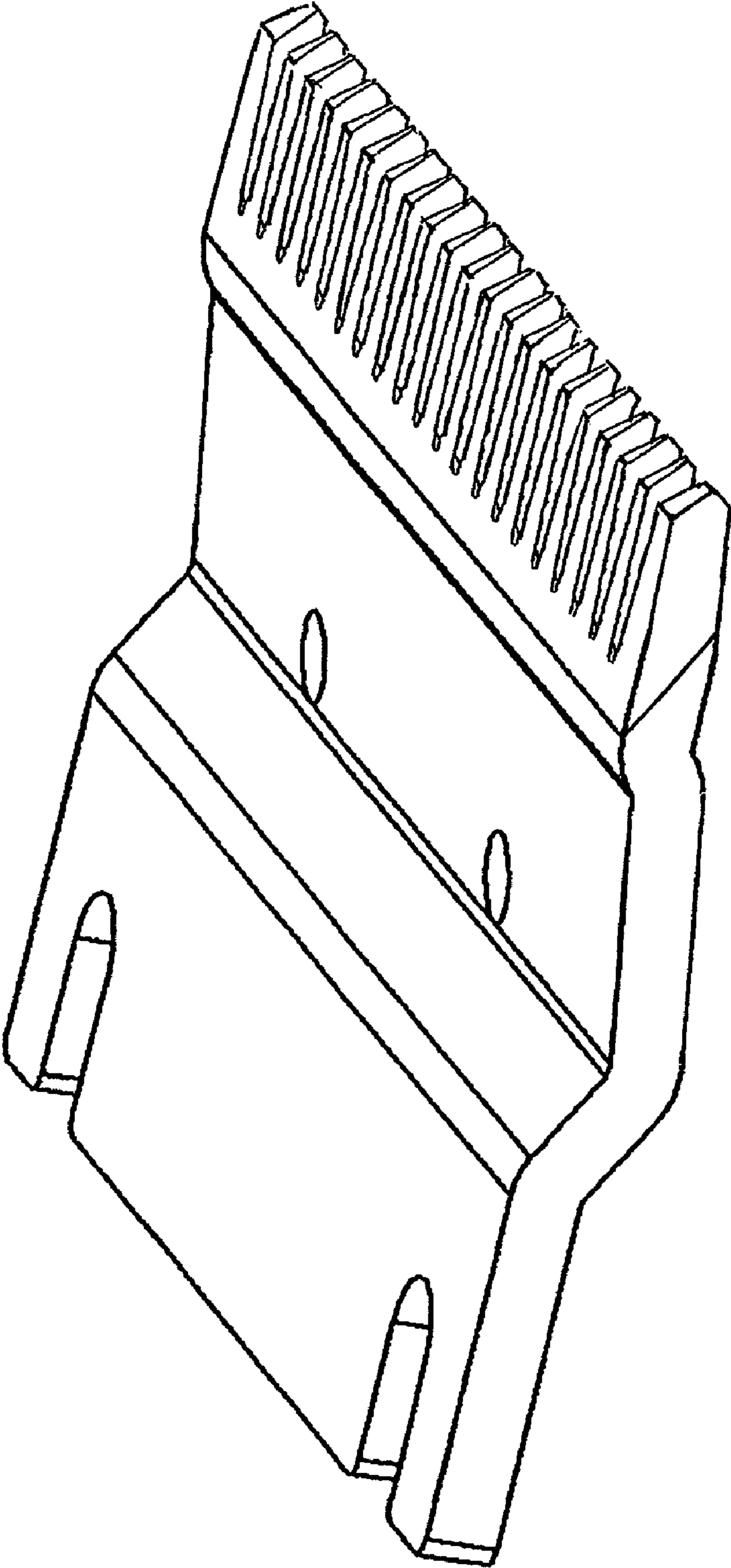


FIG. 3

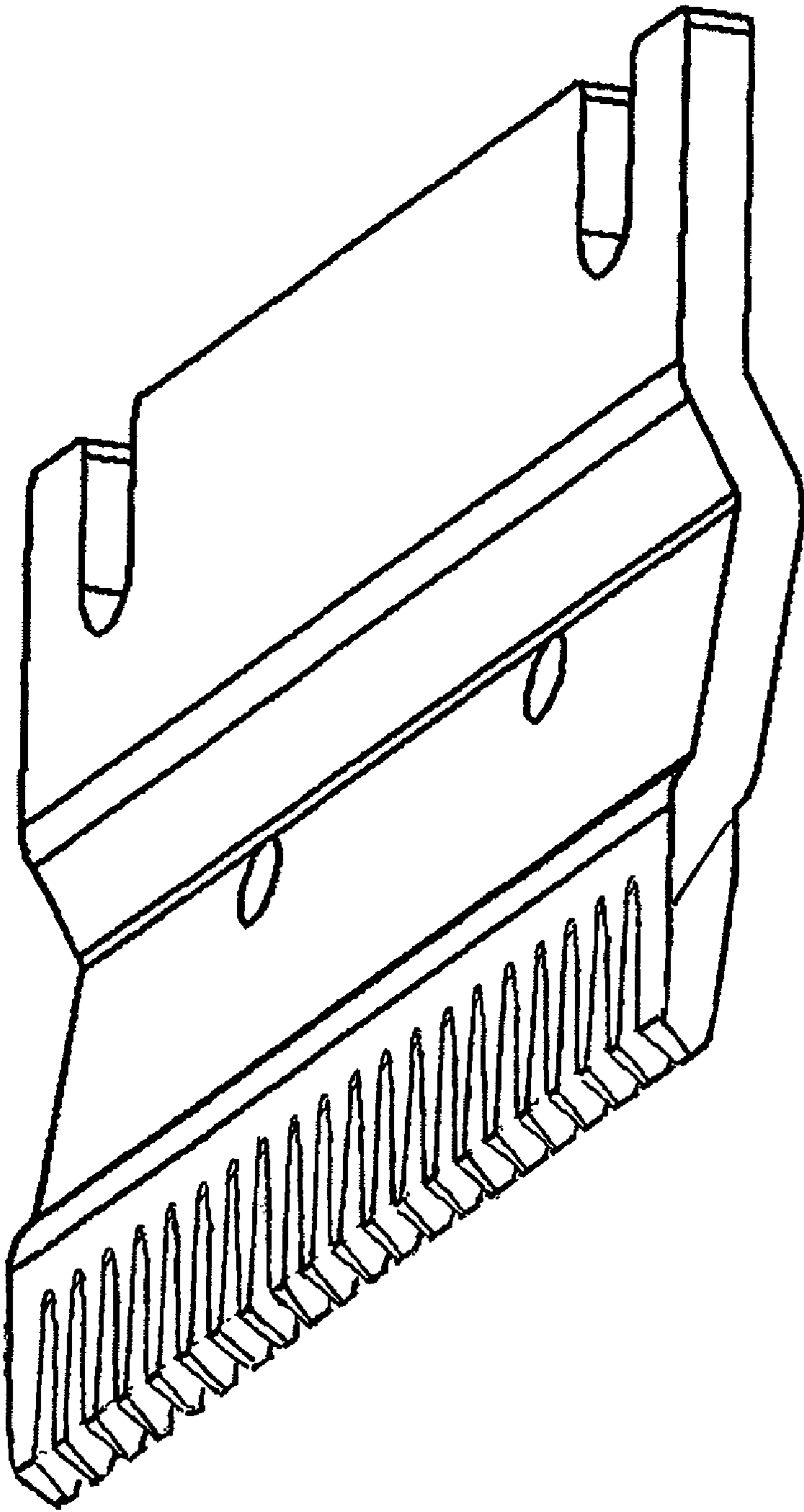


FIG. 4

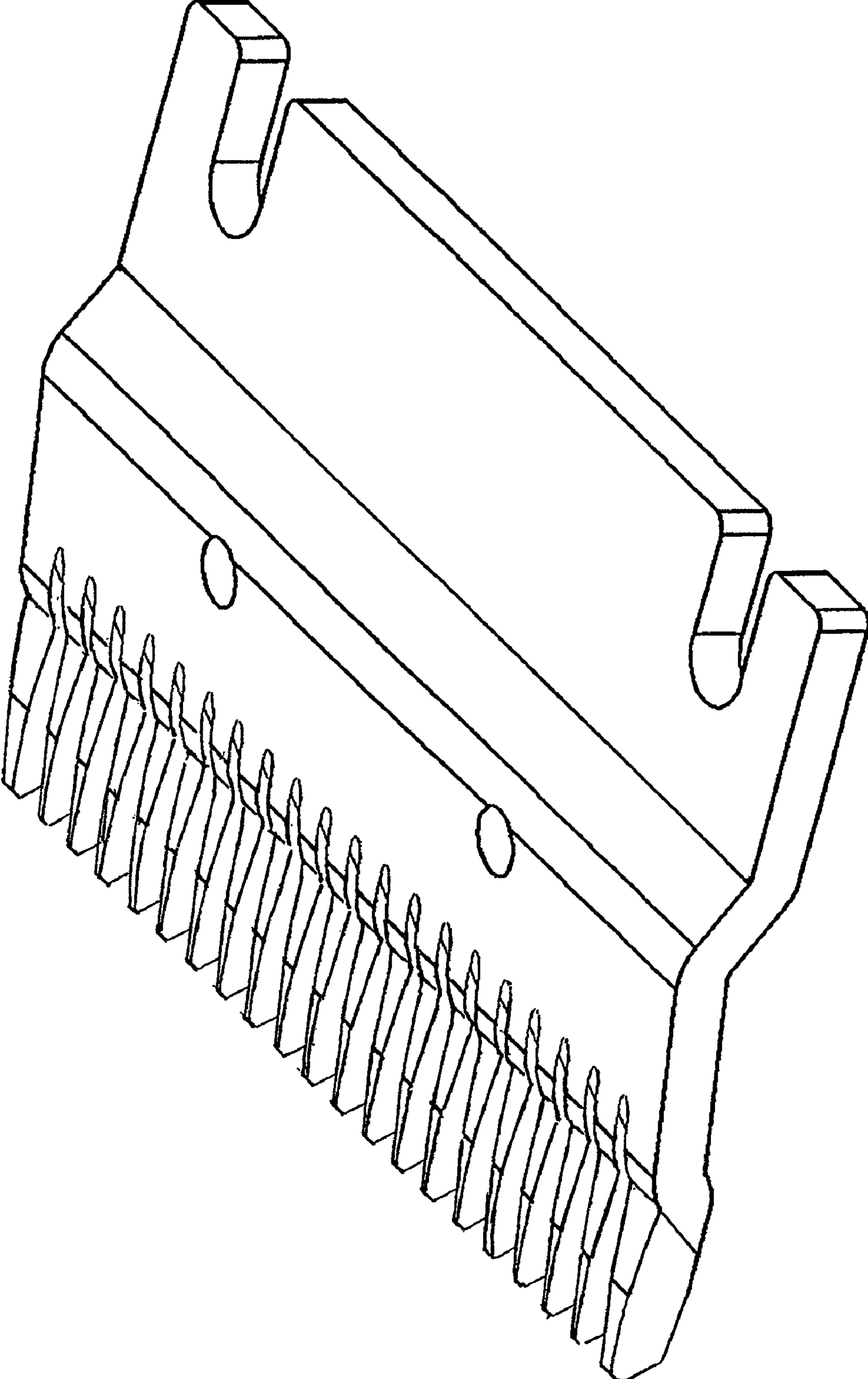


FIG. 5

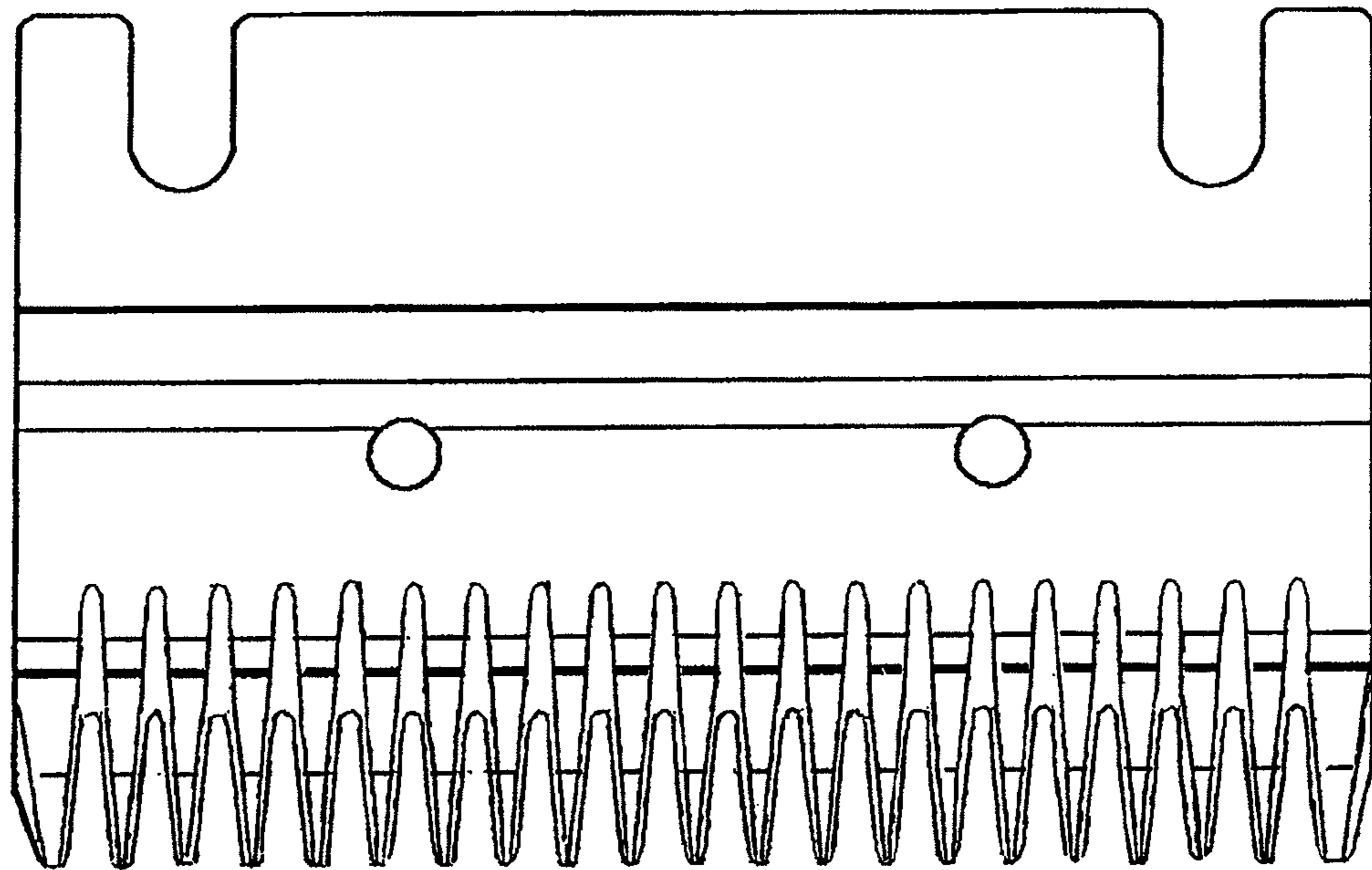


FIG. 6

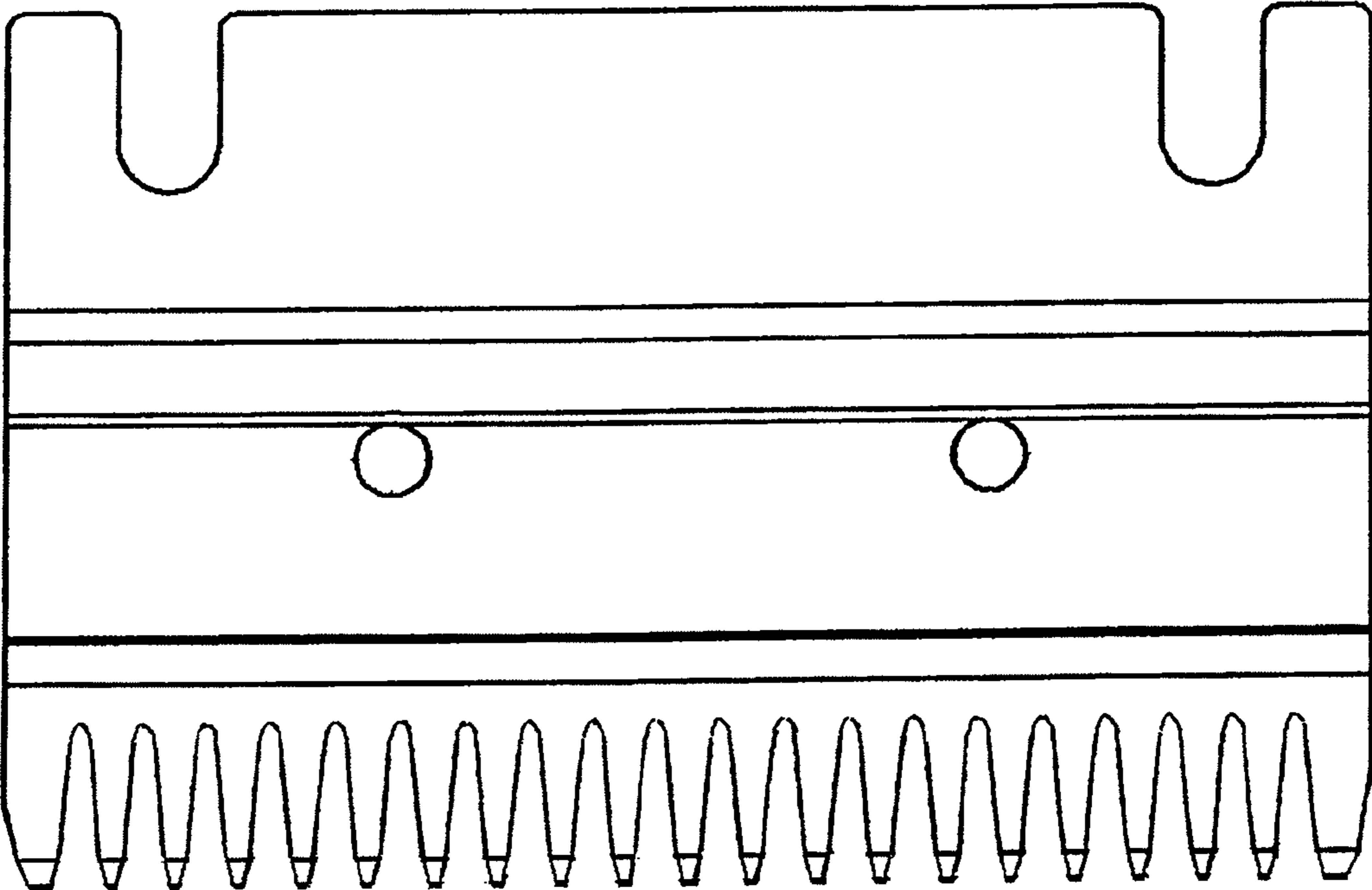


FIG. 7



FIG. 8



FIG. 9