



US00D655040S

(12) **United States Design Patent**
Eigenstetter

(10) **Patent No.:** **US D655,040 S**

(45) **Date of Patent:** **** Feb. 28, 2012**

(54) **INFRARED RADIATION DRYER**

4,541,442 A 9/1985 Hollmann et al.

(Continued)

(75) Inventor: **Bernd Eigenstetter**, München (DE)

FOREIGN PATENT DOCUMENTS

(73) Assignee: **Wella Aktiengesellschaft**, Darmstadt (DE)

DE 1 042 194 10/1958

(Continued)

(**) Term: **14 Years**

OTHER PUBLICATIONS

(21) Appl. No.: **29/400,872**

Modern Beauty Shop, Mar. 1958, p. 111, "Wellapr Steam Activator" hair Steamed. Hair Dryer Digest.

(22) Filed: **Sep. 1, 2011**

(Continued)

Related U.S. Application Data

(62) Division of application No. 29/378,036, filed on Oct. 28, 2010, which is a division of application No. 29/326,389, filed on Oct. 16, 2008, now Pat. No. Des. 628,343.

Primary Examiner — Zenia Bennett

(74) *Attorney, Agent, or Firm* — DLA Piper LLP US

(30) **Foreign Application Priority Data**

Apr. 17, 2008 (DE) 40 2008 001 908

(51) **LOC (9) Cl.** **28-03**

(52) **U.S. Cl.** **D28/19**

(58) **Field of Classification Search** D28/12-19;
34/96-101; 392/380-385; 219/222

See application file for complete search history.

(57) **CLAIM**

The ornamental design for an infrared radiation dryer, as shown and described.

DESCRIPTION

FIG. 1 is a right side view of an infrared radiation dryer, according to a first embodiment;

FIG. 2 is a left side view thereof, according to the first embodiment;

FIG. 3 is a top view thereof, according to the first embodiment;

FIG. 4 is a bottom view thereof, according to the first embodiment;

FIG. 5 is a front thereof, according to the first embodiment;

FIG. 6 is a back view thereof, according to the first embodiment; and,

FIG. 7 is a perspective view thereof, according to the first embodiment.

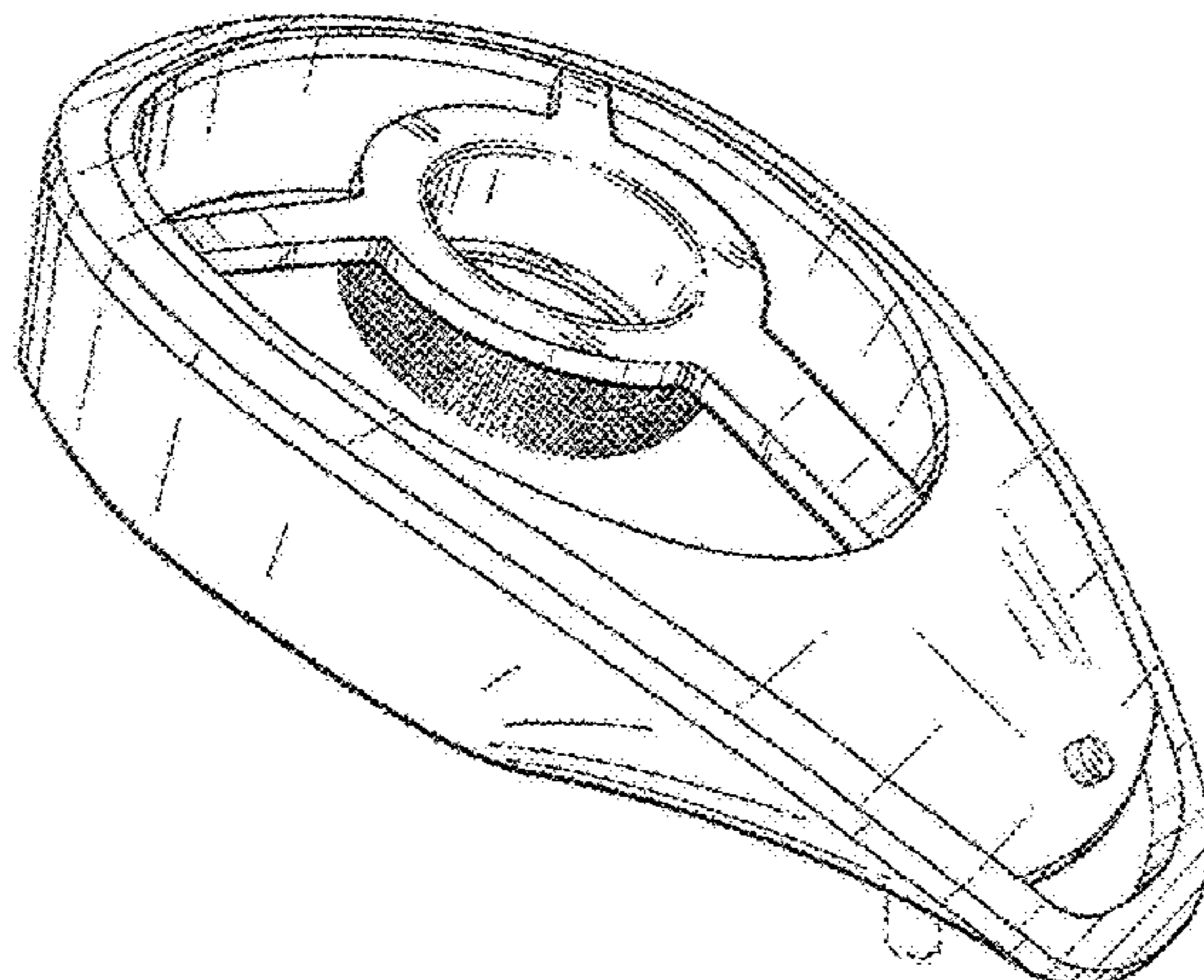
Note that any broken line illustration of environmental structure in the drawing is not part of the design sought to be patented.

(56) **References Cited**

U.S. PATENT DOCUMENTS

| | | |
|-------------|---------|---------------|
| 235,383 A | 12/1880 | Rowland |
| 1,790,283 A | 1/1931 | Pickard |
| 1,883,972 A | 10/1932 | Kunian et al. |
| 1,998,198 A | 4/1935 | Leland |
| 3,004,540 A | 10/1961 | Ronzi |
| 3,108,862 A | 10/1963 | Toulmin |
| 3,650,041 A | 3/1972 | Strzelczyk |
| 3,717,936 A | 2/1973 | Tolmie et al. |
| D232,490 S | 8/1974 | Waters et al. |
| D234,677 S | 4/1975 | Hubner |
| D247,379 S | 2/1978 | Hashino |
| 4,314,138 A | 2/1982 | Itoh |
| 4,352,248 A | 10/1982 | Kobayashi |
| D268,369 S | 3/1983 | McBrien |
| D280,338 S | 8/1985 | Skarsten |

1 Claim, 4 Drawing Sheets



US D655,040 S

Page 2

U.S. PATENT DOCUMENTS

4,553,339 A 11/1985 Rigo
D283,259 S 4/1986 Stansbury
4,691,451 A 9/1987 Giorgis
4,910,382 A 3/1990 Kakuya et al.
4,914,273 A 4/1990 Matsui
4,972,065 A 11/1990 Ohlsen
D321,411 S 11/1991 Moll
5,063,688 A 11/1991 Moll et al.
5,231,770 A 8/1993 Fertig
D339,880 S 9/1993 Greubel
5,560,131 A 10/1996 Gibson
D408,100 S 4/1999 Minami
D413,409 S 8/1999 Williams
D425,243 S 5/2000 Mattis
D425,662 S 5/2000 Cheung
D425,665 S 5/2000 Kling et al.
D427,373 S 6/2000 Harris
D430,349 S 8/2000 Mattis
D432,716 S 10/2000 Goetschi
D455,227 S 4/2002 Micinilio
6,389,710 B1 5/2002 Chou
6,442,340 B1 8/2002 Shimizu
6,457,254 B2 10/2002 Sahn
D468,483 S 1/2003 Minami
D468,862 S 1/2003 Barski
D473,013 S 4/2003 Patzak
D473,341 S 4/2003 Bokelman-Dumas
D474,562 S 5/2003 Shimizu
D477,111 S 7/2003 Zimmermann
6,606,800 B2 8/2003 Anthes et al.
6,651,674 B2 11/2003 Ozaki et al.
D486,264 S 2/2004 Enriquez

D494,710 S 8/2004 Parodi
D501,061 S 1/2005 Patzak
D508,585 S 8/2005 Moore
D527,490 S 8/2006 Patzak
D528,698 S 9/2006 Rizzuto, Jr.
D544,645 S 6/2007 Ceva
D559,443 S 1/2008 Smith et al.
D561,391 S * 2/2008 Takada D28/10
D622,445 S 8/2010 Wissmann et al.
D628,343 S * 11/2010 Eigenstetter D28/19

FOREIGN PATENT DOCUMENTS

DE 40101549.1 2/2001
DE 40302917.1 4/2003
WO DM/033 406 2/1995

OTHER PUBLICATIONS

Hong Kong Enterprise, Jun. 1996, p. 161, hair dryer MCIL-9508, item A (Hair Dryer Digest).

File History of U.S. Appl. No. 29/166,263.

File History of U.S. Appl. No. 29/182,983.

File History of U.S. Appl. No. 29/191,597.

File History of U.S. Appl. No. 29/160,885.

File History of U.S. Appl. No. 29/307,393.

File History of U.S. Appl. No. 29/288,026.

File History of U.S. Appl. No. 29/365,882.

File History of U.S. Appl. No. 29/288,030.

File History of U.S. Appl. No. 29/365,881.

File History of U.S. Appl. No. 29/326,389.

File History of U.S. Appl. No. 29/378,036.

* cited by examiner

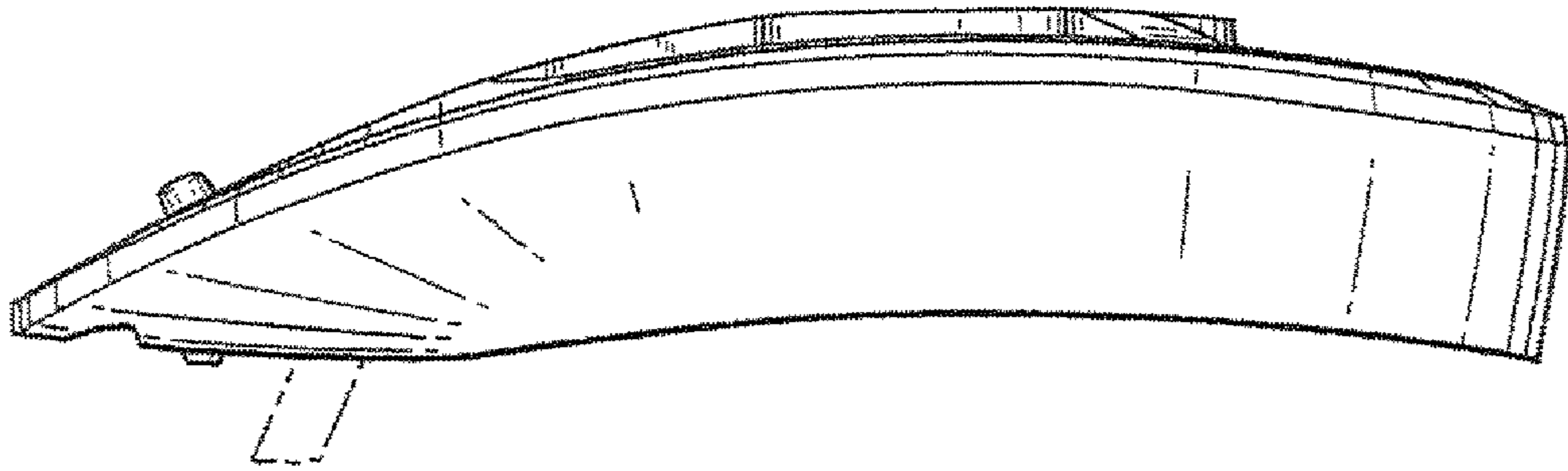


FIG. 1

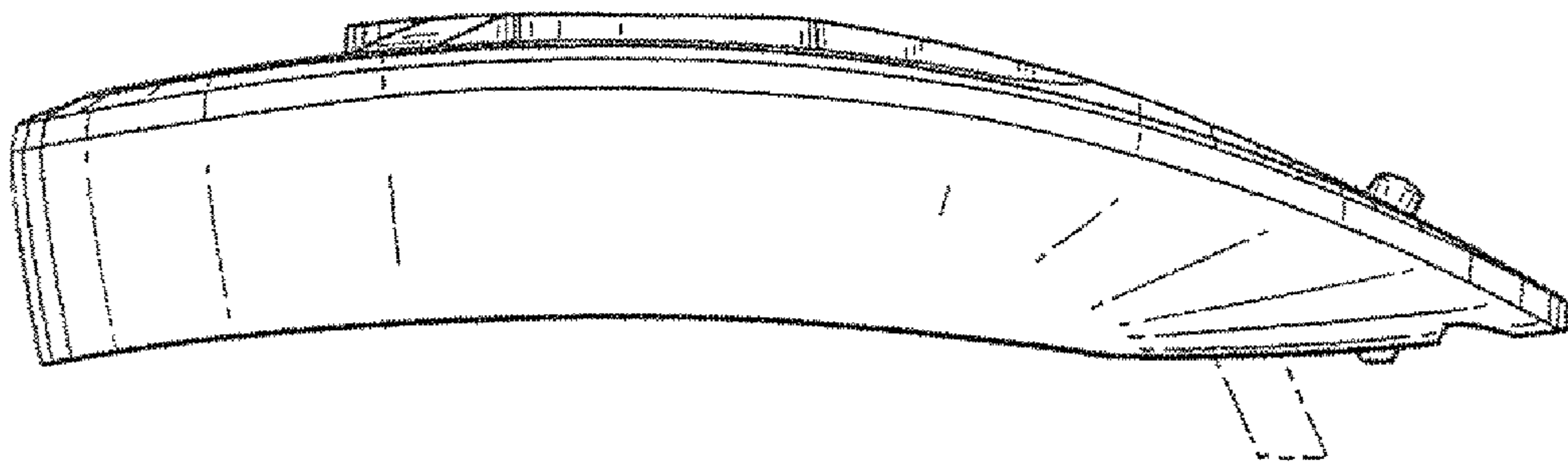


FIG. 2

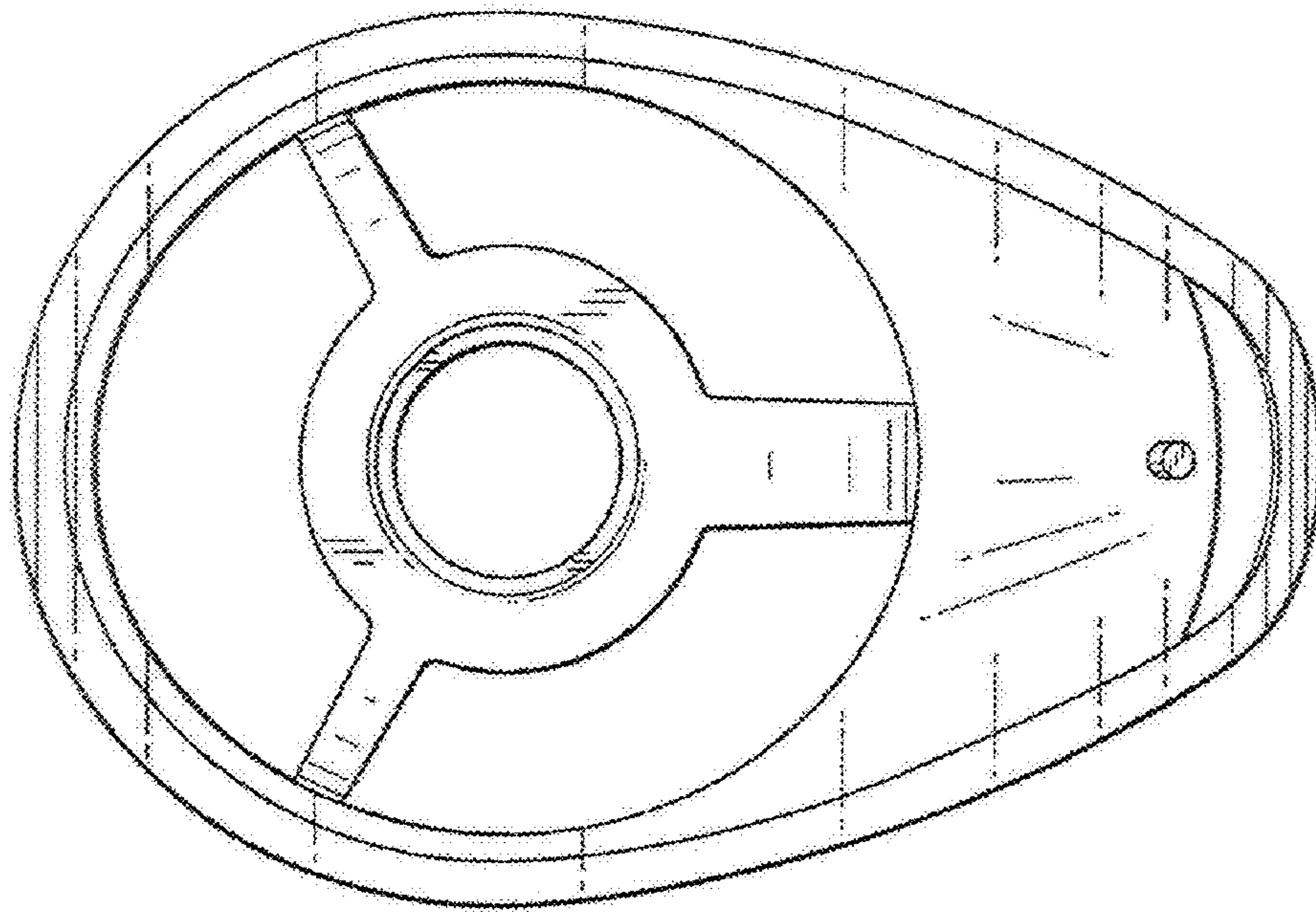


FIG. 3

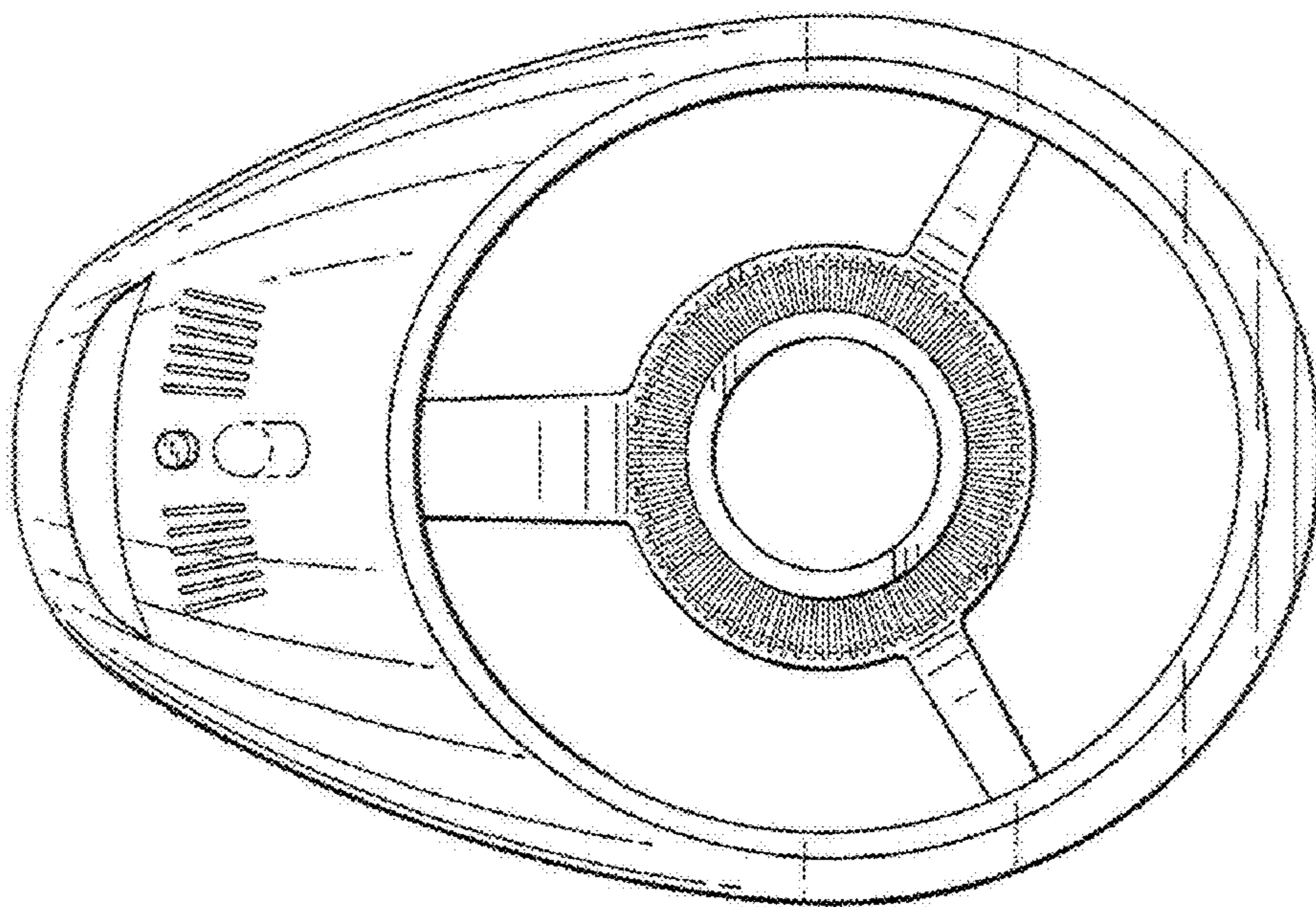


FIG. 4

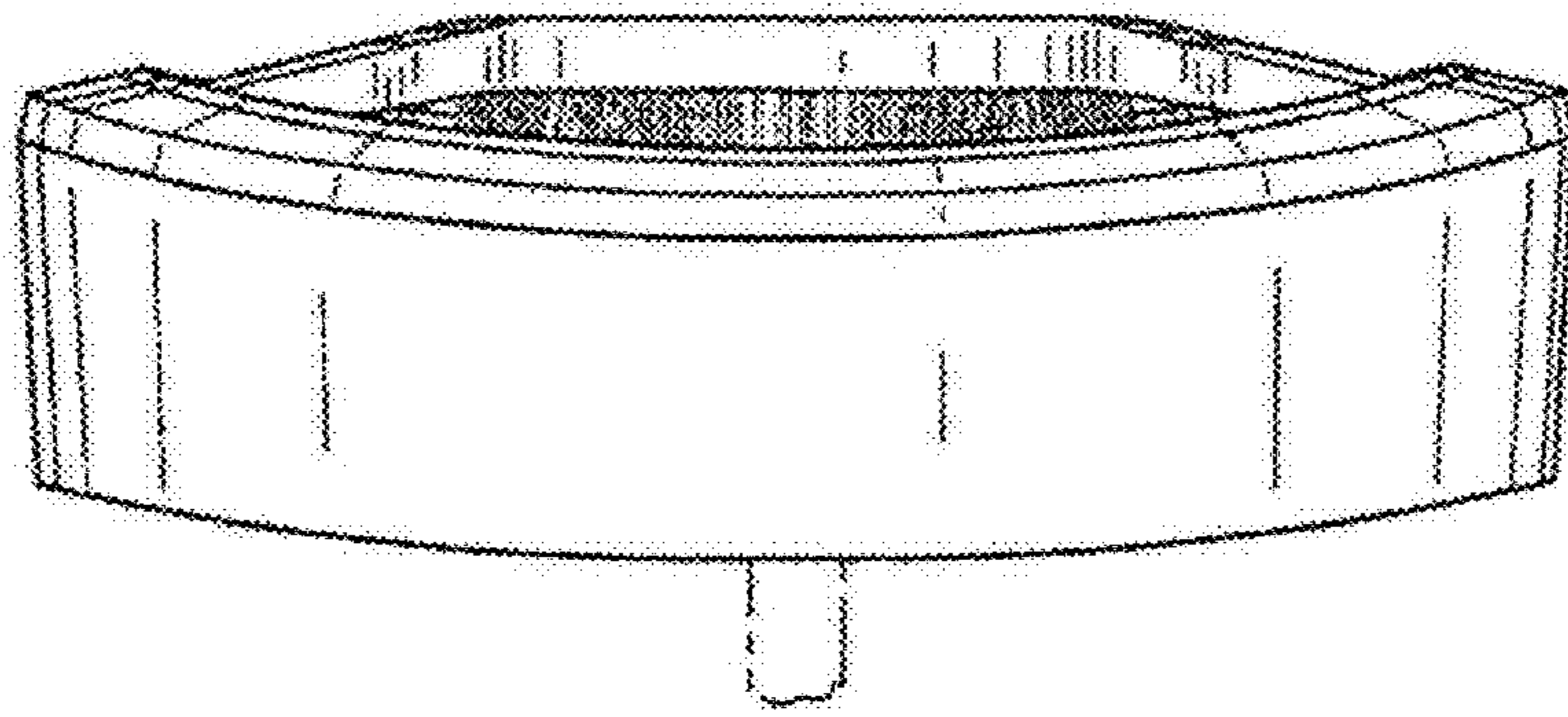


FIG. 5

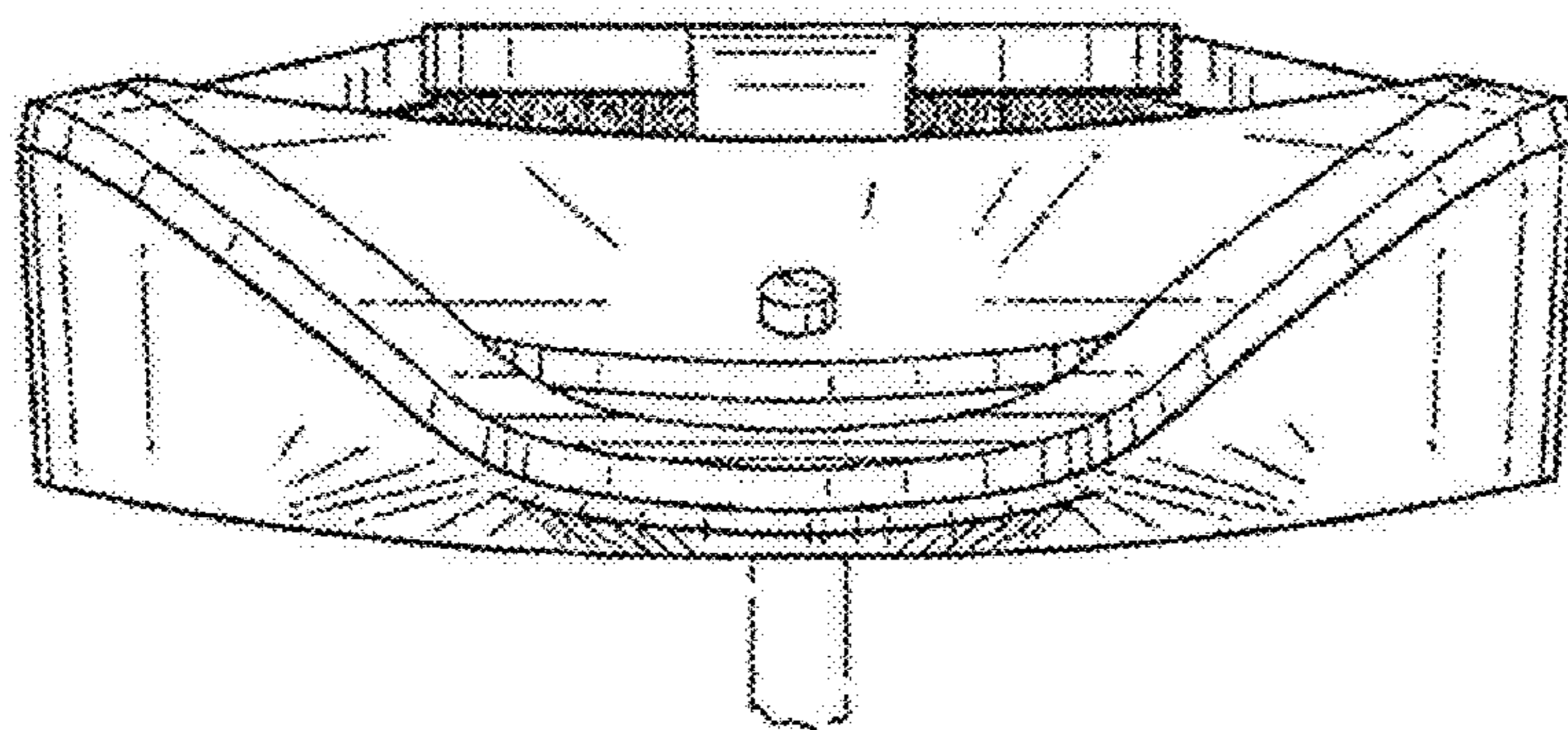


FIG. 6

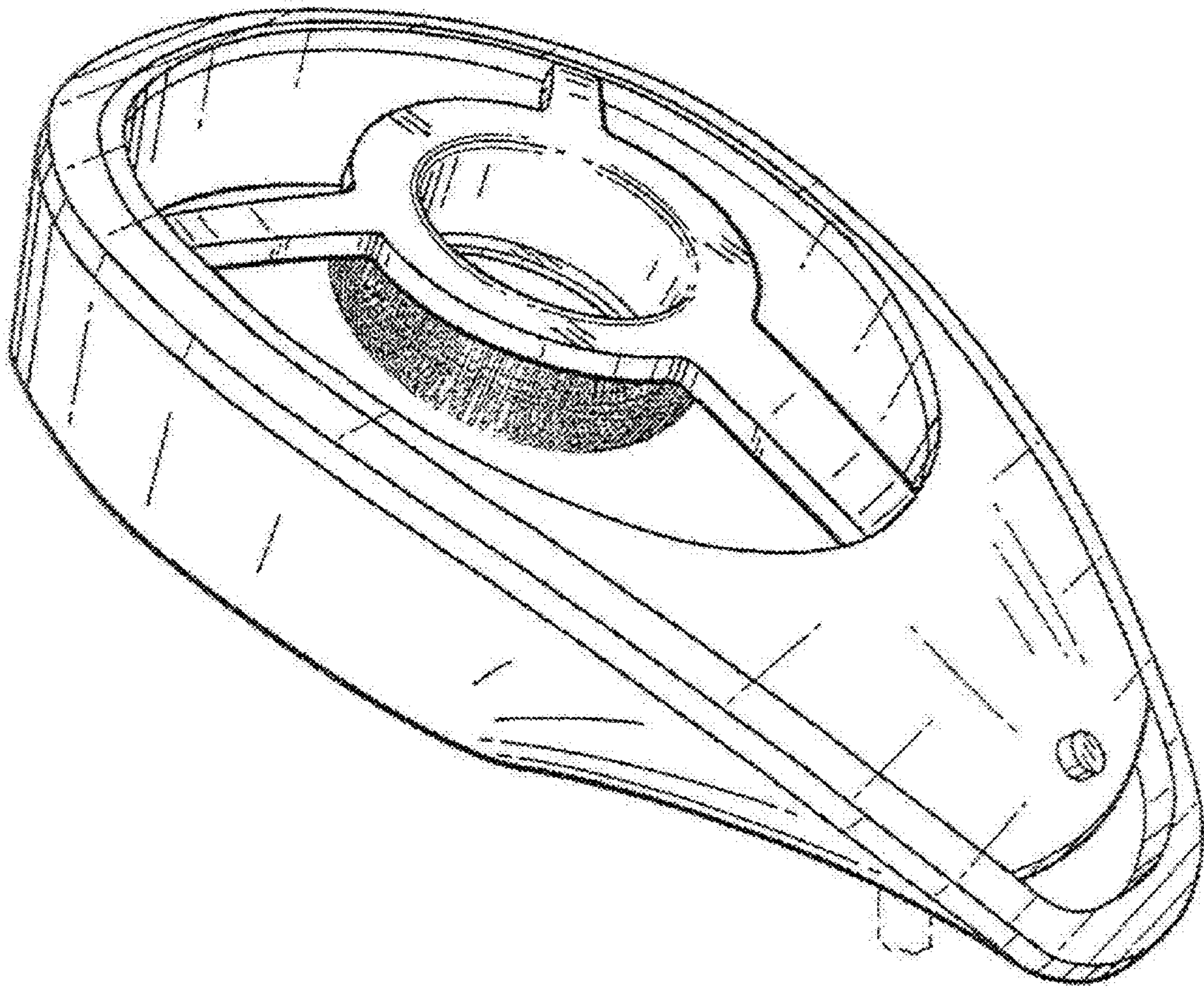


FIG. 7