



US00D655039S

(12) **United States Design Patent**  
**Eigenstetter**

(10) **Patent No.:** **US D655,039 S**

(45) **Date of Patent:** **\*\* Feb. 28, 2012**

(54) **INFRARED RADIATION DRYER**

(75) Inventor: **Bernd Eigenstetter**, München (DE)

(73) Assignee: **Wella Aktiengesellschaft**, Darmstadt (DE)

(\*\*) Term: **14 Years**

(21) Appl. No.: **29/378,036**

(22) Filed: **Oct. 28, 2010**

**Related U.S. Application Data**

(62) Division of application No. 29/326,389, filed on Oct. 16, 2008, now Pat. No. Des. 628,343.

(30) **Foreign Application Priority Data**

Apr. 17, 2008 (DE) ..... 402008001908

(51) **LOC (9) Cl.** ..... **28-03**

(52) **U.S. Cl.** ..... **D28/19**

(58) **Field of Classification Search** ..... D28/12-19;  
34/96-101; 392/380-385; 219/222

See application file for complete search history.

(56) **References Cited**

**U.S. PATENT DOCUMENTS**

235,383 A	12/1880	Rowland
1,790,283 A	1/1931	Pickard
1,883,972 A	10/1932	Kunian et al.
1,998,198 A	4/1935	Leland
3,004,540 A	10/1961	Ronzi
3,108,862 A	10/1963	Toulmin
3,650,041 A	3/1972	Strzelczyk
3,717,936 A	2/1973	Tolmie et al.
D232,490 S	8/1974	Waters et al.
D234,677 S	4/1975	Hubner
D247,379 S	2/1978	Hashino
4,314,138 A	2/1982	Itoh
4,352,248 A	10/1982	Kobayashi
D268,369 S	3/1983	McBrien
D280,338 S	8/1985	Skarsten
4,541,442 A *	9/1985	Hollmann et al. .... 132/212

4,553,339 A	11/1985	Rigo
D283,259 S	4/1986	Stansbury
4,691,451 A	9/1987	Giorgis
4,910,382 A	3/1990	Kakuya et al.

(Continued)

**FOREIGN PATENT DOCUMENTS**

DE 1 042 194 10/1958

(Continued)

**OTHER PUBLICATIONS**

Modern Beauty Shop, Mar., 1958, p. 111, "Wellapr Steam Activator" hair Steamed.

(Continued)

*Primary Examiner* — Zenia Bennett

(74) *Attorney, Agent, or Firm* — DLA Piper LLP US

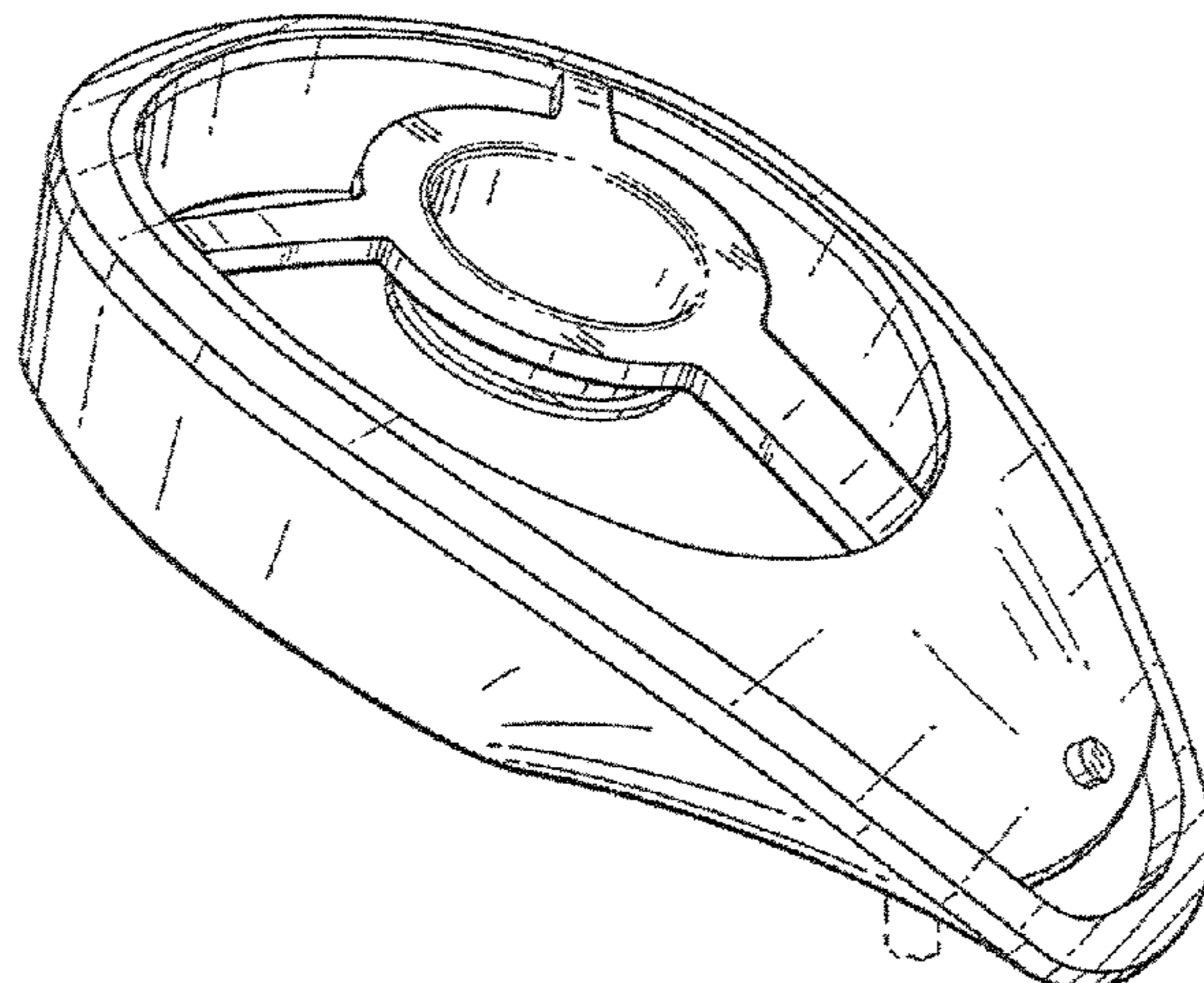
(57) **CLAIM**

The ornamental design for an infrared radiation dryer, as shown and described.

**DESCRIPTION**

FIG. 1 is a right side view of an infrared radiation dryer, according to a first embodiment;  
 FIG. 2 is a left side view thereof, according to the first embodiment;  
 FIG. 3 is a top view thereof, according to the first embodiment;  
 FIG. 4 is a bottom view thereof, according to the first embodiment;  
 FIG. 5 is a front thereof, according to the first embodiment;  
 FIG. 6 is a back view thereof, according to the first embodiment; and,  
 FIG. 7 is a perspective view thereof, according to the first embodiment.  
 Note that any broken line illustration of environmental structure in the drawing is not part of the design sought to be patented.

**1 Claim, 4 Drawing Sheets**



# US D655,039 S

Page 2

## U.S. PATENT DOCUMENTS

4,914,273 A 4/1990 Matsui  
4,972,065 A 11/1990 Ohlsen  
D321,411 S 11/1991 Moll  
5,063,688 A 11/1991 Moll et al.  
5,231,770 A 8/1993 Fertig  
D339,880 S 9/1993 Greubel  
5,560,131 A 10/1996 Gibson  
D408,100 S \* 4/1999 Minami ..... D28/17  
D413,409 S 8/1999 Williams  
D425,243 S 5/2000 Mattis  
D425,662 S 5/2000 Cheung  
D425,665 S 5/2000 Kling et al.  
D427,373 S \* 6/2000 Harris ..... D28/12  
D430,349 S 8/2000 Mattis  
D432,716 S 10/2000 Goetschi  
D455,227 S 4/2002 Micinilio  
6,389,710 B1 5/2002 Chou  
6,442,340 B1 8/2002 Shimizu  
6,457,254 B2 10/2002 Sahn  
D468,483 S 1/2003 Minami  
D468,862 S 1/2003 Barski  
D473,013 S 4/2003 Patzak  
D473,341 S 4/2003 Bokelman-Dumas  
D474,562 S 5/2003 Shimizu  
D477,111 S 7/2003 Zimmermann  
6,606,800 B2 8/2003 Anthes et al.  
6,651,674 B2 11/2003 Ozaki et al.  
D486,264 S \* 2/2004 Enriquez ..... D28/13  
D494,710 S 8/2004 Parodi  
D501,061 S 1/2005 Patzak  
D508,585 S 8/2005 Moore

D527,490 S 8/2006 Patzak  
D528,698 S 9/2006 Rizzuto, Jr.  
D544,645 S 6/2007 Ceva  
D559,443 S 1/2008 Smith et al.  
D561,391 S 2/2008 Takada  
D622,445 S \* 8/2010 Wissmann et al. .... D28/17

## FOREIGN PATENT DOCUMENTS

DE 40101549.1 2/2001  
DE 40302917.1 4/2003  
WO DM/033 406 2/1995

## OTHER PUBLICATIONS

Hong Kong Enterprise, Jun. 1996, p. 161, hair dryer MCIL-9508, item A.  
File History of U.S. Appl. No. 29/166,263.  
File History of U.S. Appl. No. 29/182,983.  
File History of U.S. Appl. No. 29/191,597.  
File History of U.S. Appl. No. 29/160,885.  
File History of U.S. Appl. No. 29/307,393.  
File History of U.S. Appl. No. 29/288,026.  
File History of U.S. Appl. No. 29/365,882.  
File History of U.S. Appl. No. 29/288,030.  
File History of U.S. Appl. No. 29/365,881.  
File History of U.S. Appl. No. 29/326,389.  
File History of U.S. Appl. No. 29/365,882.  
Notice of Allowance issued in U.S. Appl. No. 29/400,872, mailed Oct. 27, 2011.

\* cited by examiner

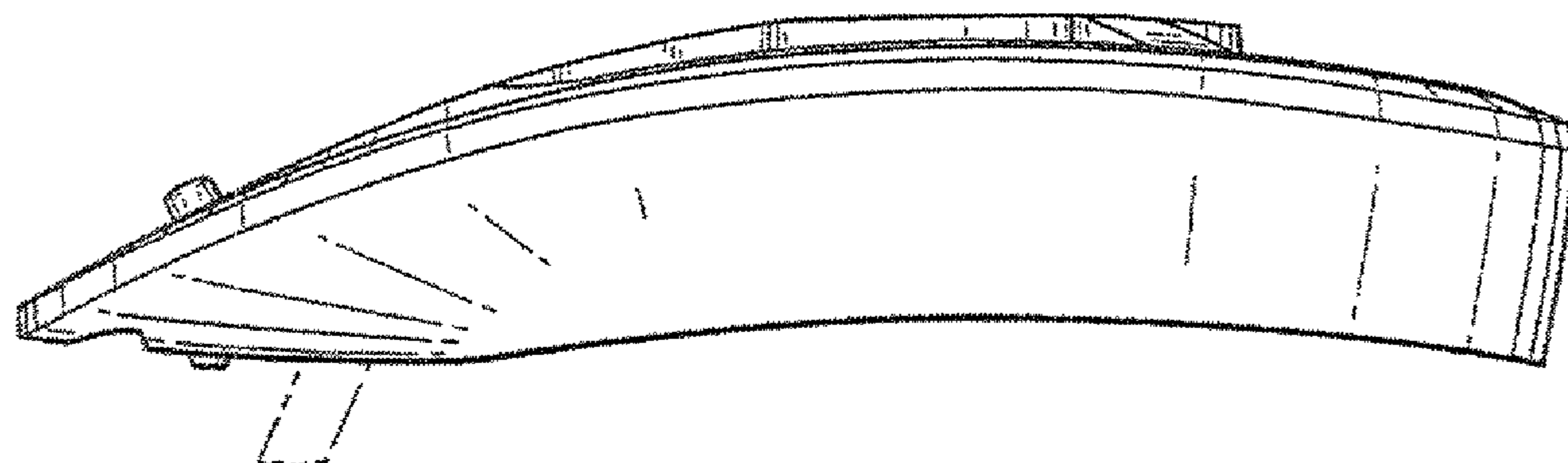


FIG. 1

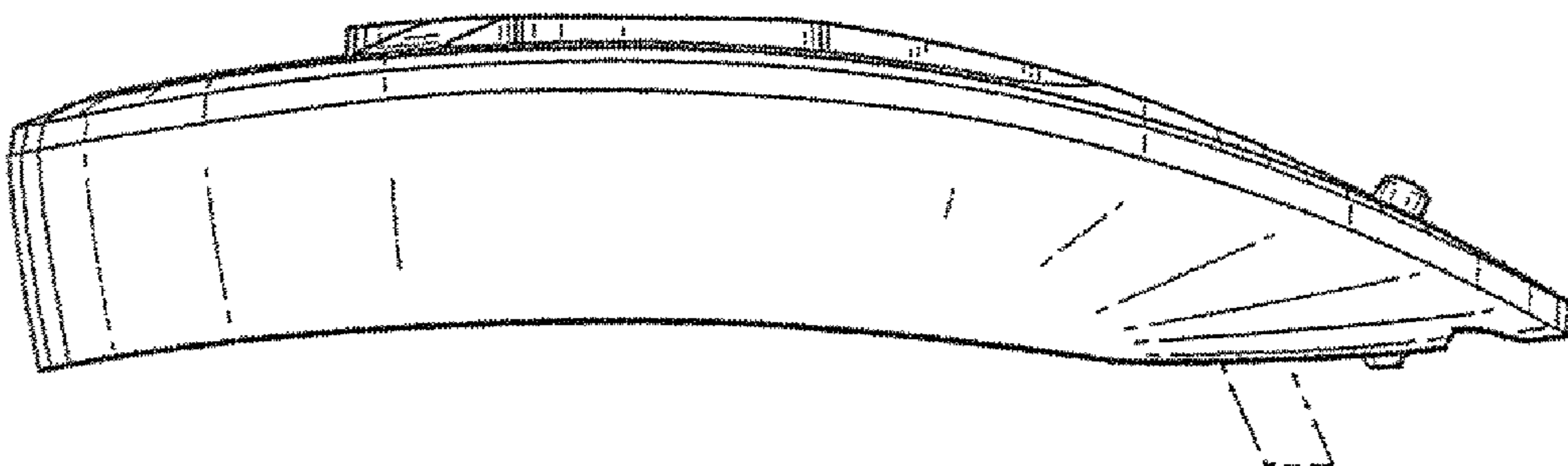


FIG. 2

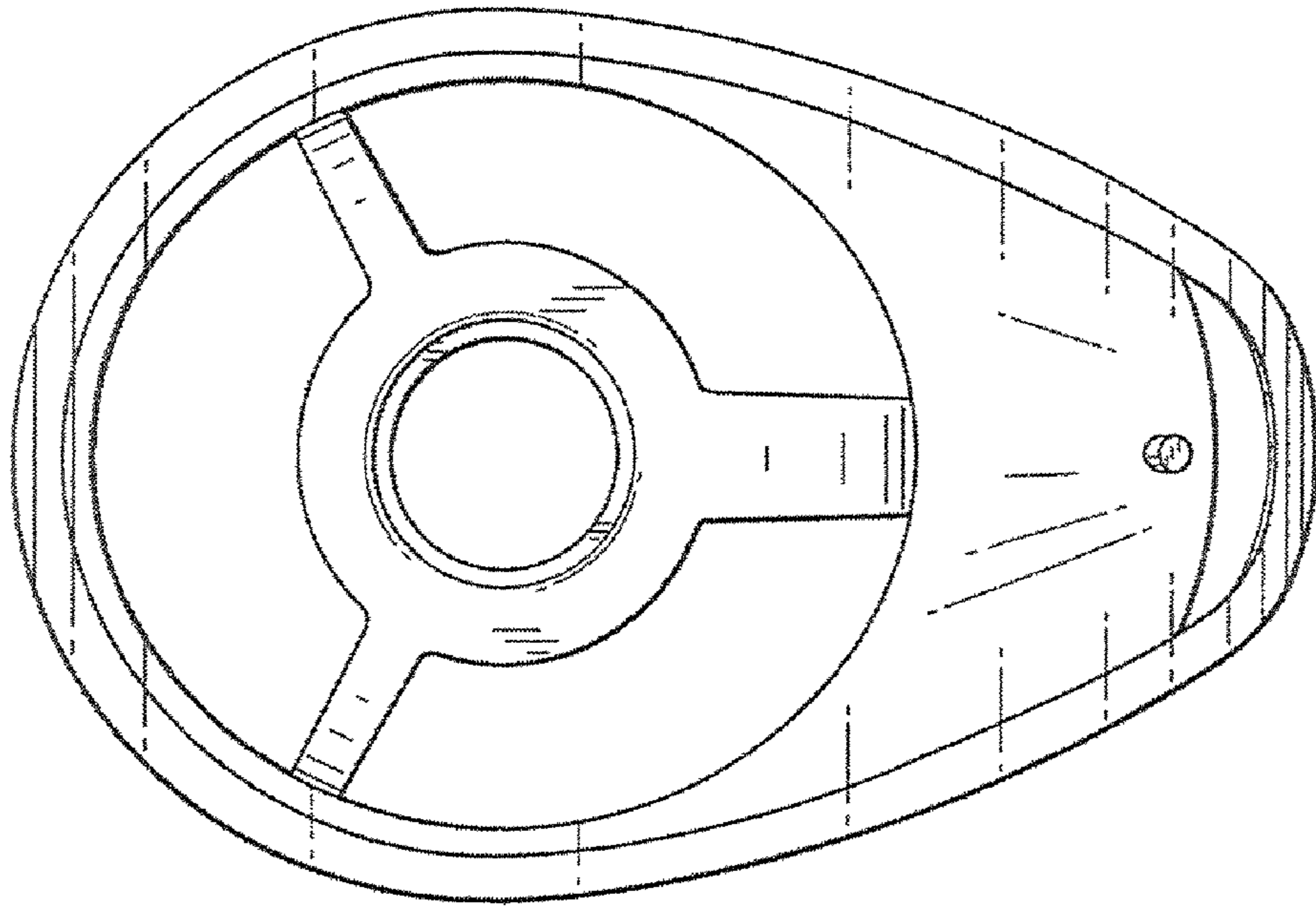


FIG. 3

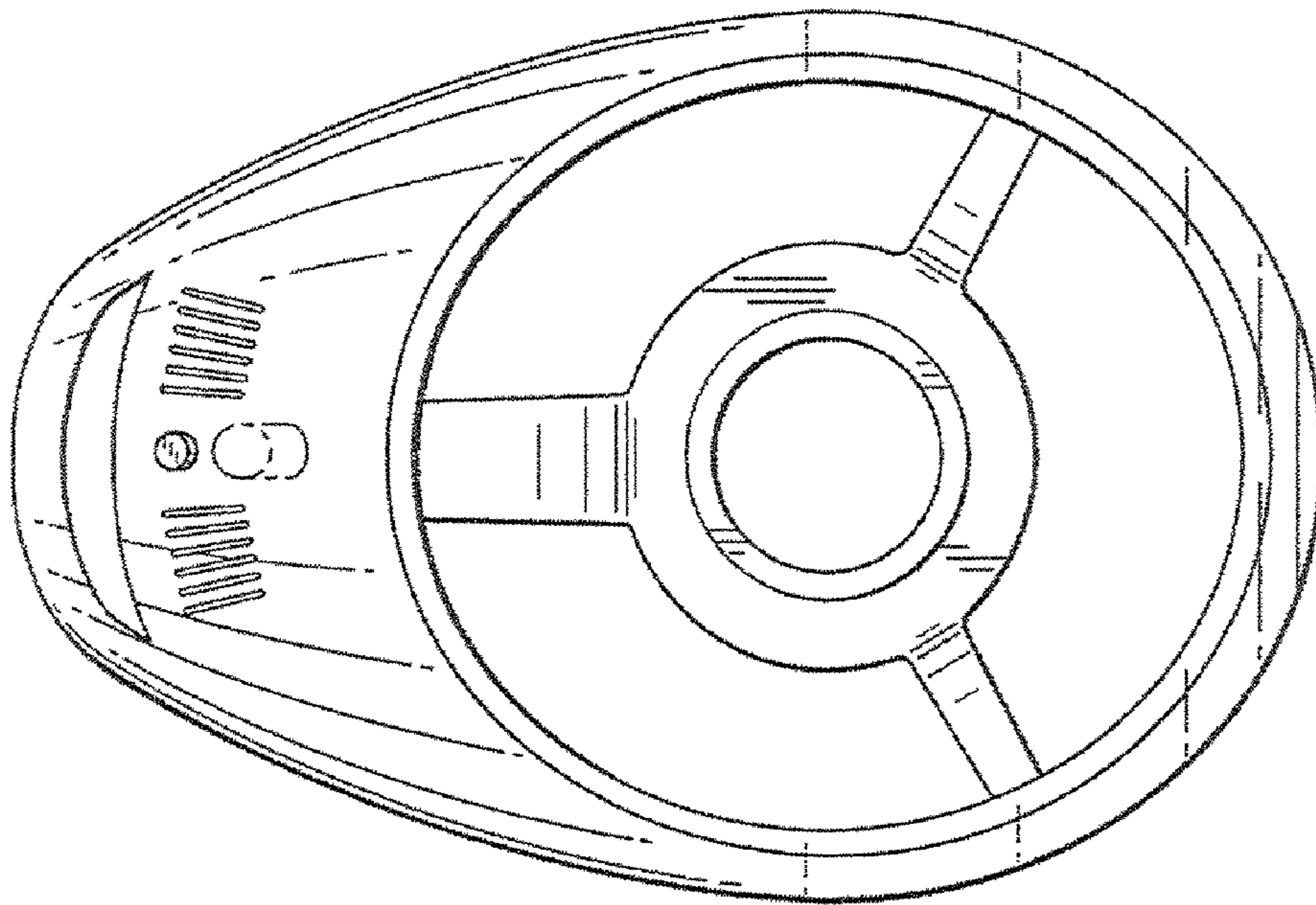


FIG. 4

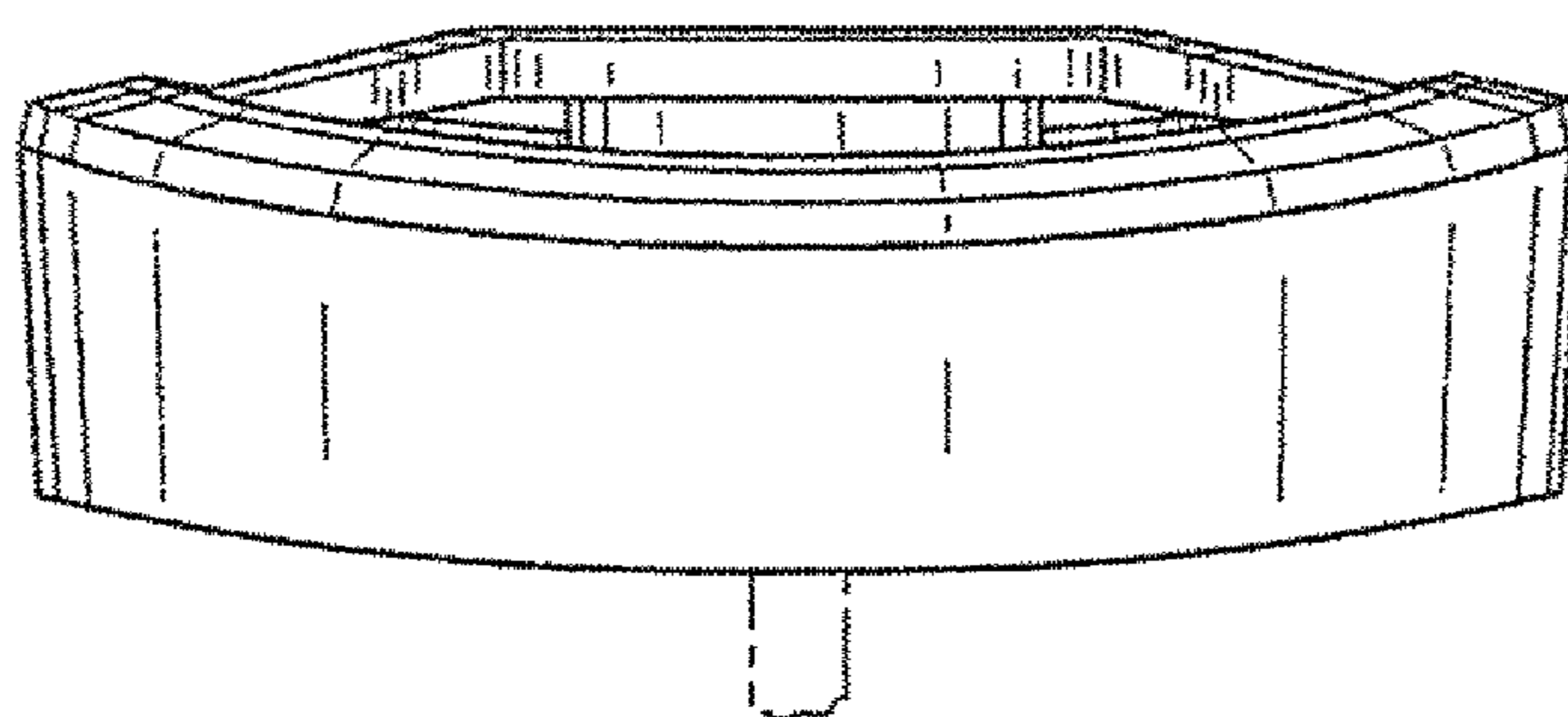


FIG. 5

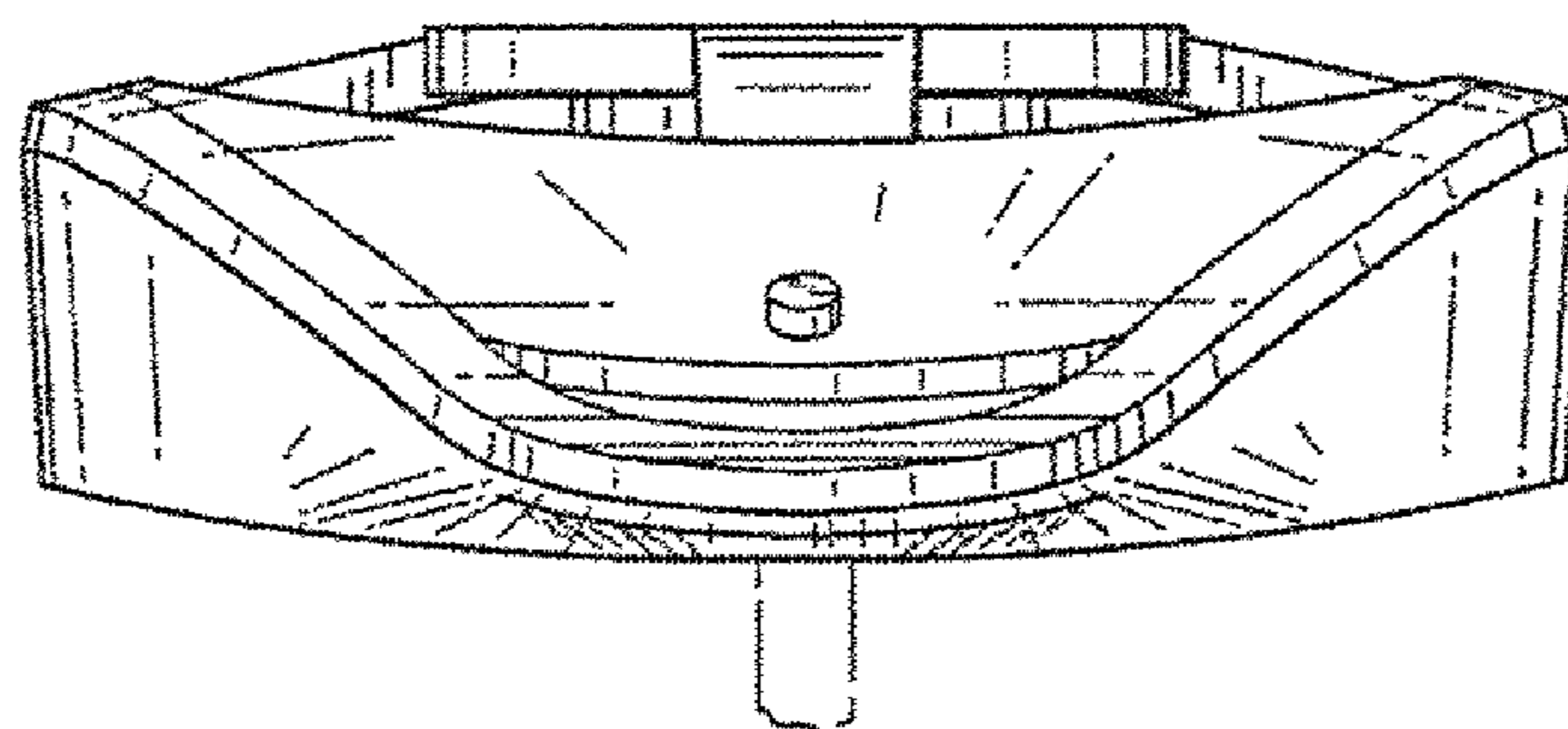


FIG. 6

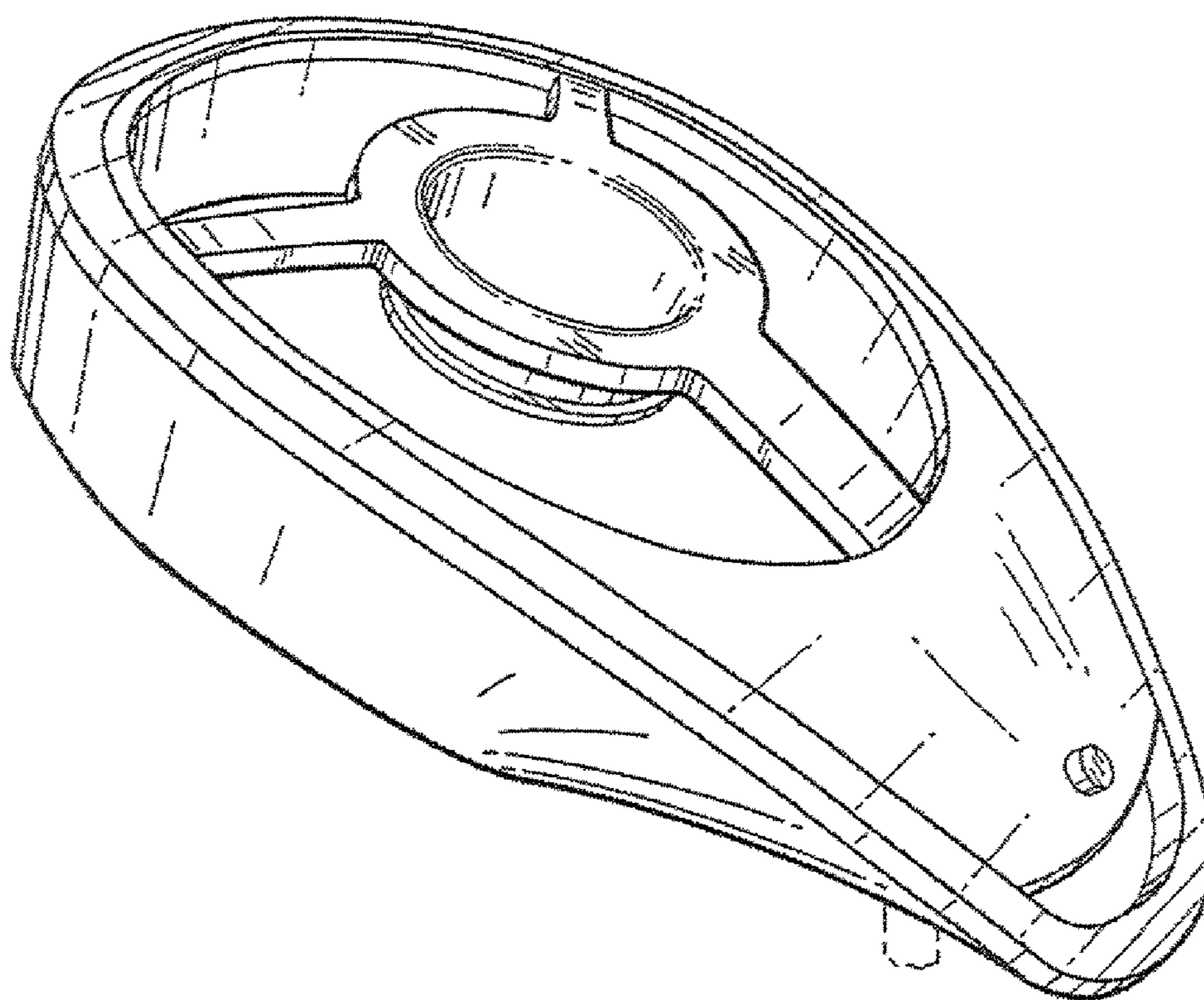


FIG. 7