



US00D655038S

(12) **United States Design Patent**  
**Petrucelli**

(10) **Patent No.:** **US D655,038 S**

(45) **Date of Patent:** **\*\* Feb. 28, 2012**

(54) **HAIRDRYER WITH DUAL HANDLES**

(75) Inventor: **Giulio Petrucelli**, Flushing, NY (US)

(73) Assignee: **Turbo Power, Inc.**, Flushing, NY (US)

(\*\*) Term: **14 Years**

(21) Appl. No.: **29/393,264**

(22) Filed: **Jun. 1, 2011**

(51) **LOC (9) Cl.** ..... **28-03**

(52) **U.S. Cl.** ..... **D28/13**

(58) **Field of Classification Search** ..... D28/12-19;  
34/96-101; 392/380-385; 219/222

See application file for complete search history.

(56) **References Cited**

U.S. PATENT DOCUMENTS

D282,013 S *	12/1985	Kerschgens	.....	D28/13
D377,846 S *	2/1997	Knuth et al.	.....	D28/13
D501,952 S *	2/2005	Maletti	.....	D28/13
D518,919 S *	4/2006	Parodi	.....	D28/13
D528,698 S *	9/2006	Rizzuto, Jr.	.....	D28/13
D544,998 S *	6/2007	Petrucelli	.....	D28/13
D600,405 S *	9/2009	Soresina et al.	.....	D28/13
D604,898 S *	11/2009	Parodi	.....	D28/13

\* cited by examiner

*Primary Examiner* — Zenia Bennett

(74) *Attorney, Agent, or Firm* — Gerald E. Hespos; Michael J. Porco

(57) **CLAIM**

The ornamental design of a hairdryer with dual handles, as shown and described.

**DESCRIPTION**

FIG. 1 is a perspective view of the hairdryer with dual handles of my new design;

FIG. 2 is a left side elevation view of the hairdryer with dual handles of FIG. 1;

FIG. 3 is a top plan view of the hairdryer with dual handles of FIG. 1;

FIG. 4 is a rear elevational view of the hairdryer with dual handles of FIG. 1;

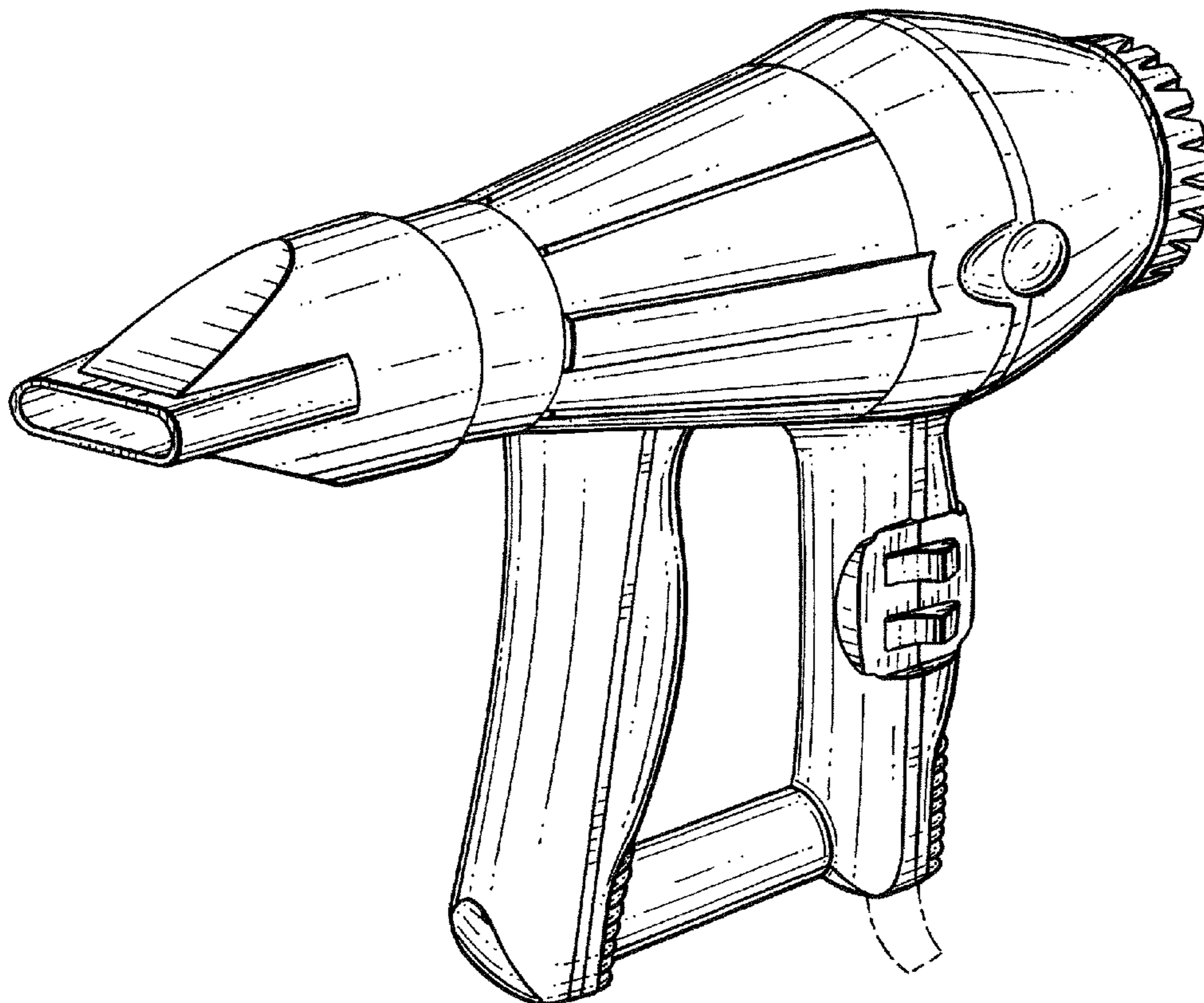
FIG. 5 is a front elevational view of the hairdryer with dual handles of FIG. 1;

FIG. 6 is a right side elevational view of the hairdryer with dual handles of FIG. 1; and,

FIG. 7 is a bottom plan view of the hairdryer with dual handles of FIG. 1.

The broken lines in the drawings showing the cord in FIGS. 1, 2, 4, 5, 6 and 7 are for illustrative purposes only and form no part of the claimed design.

**1 Claim, 7 Drawing Sheets**



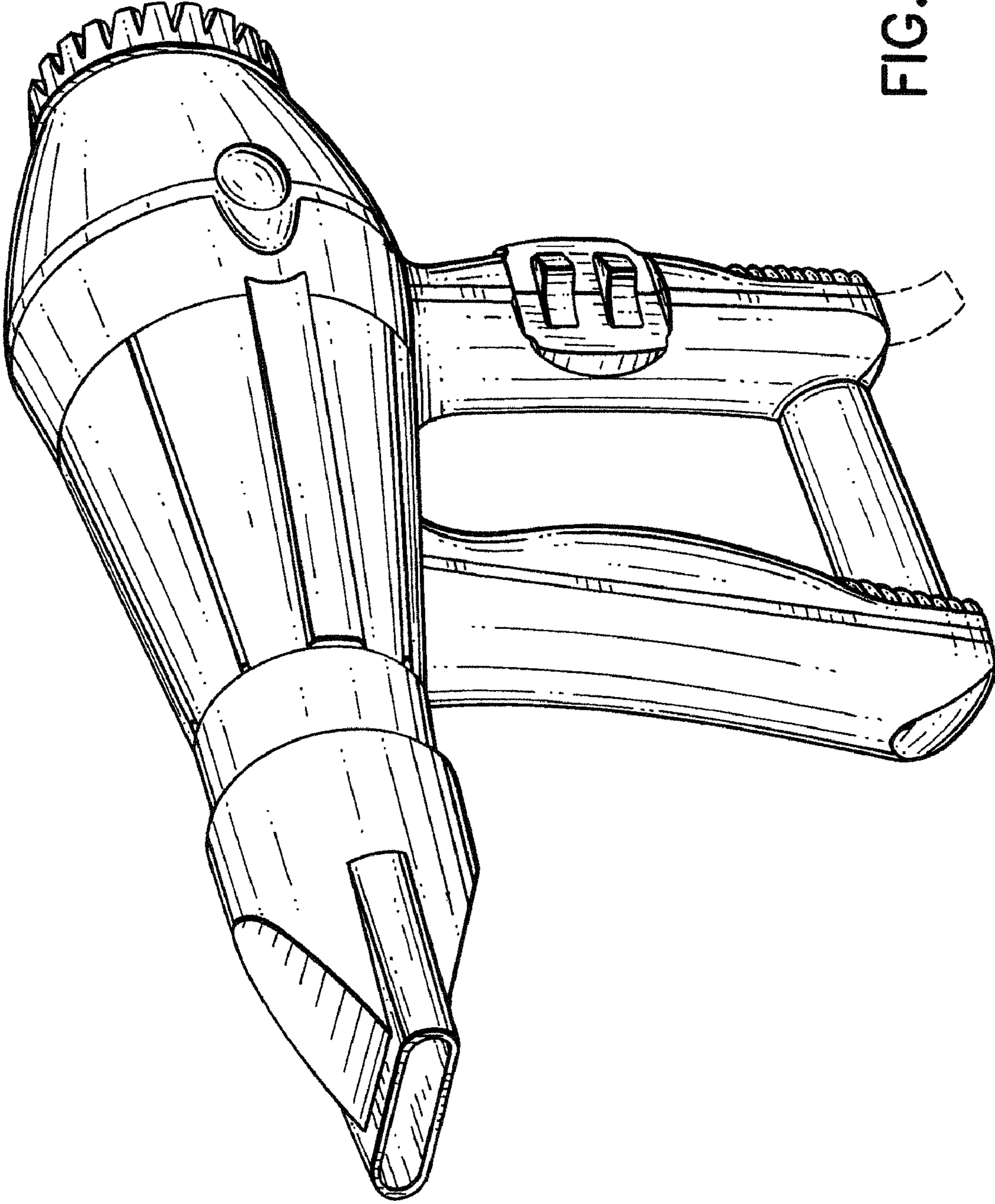


FIG.1

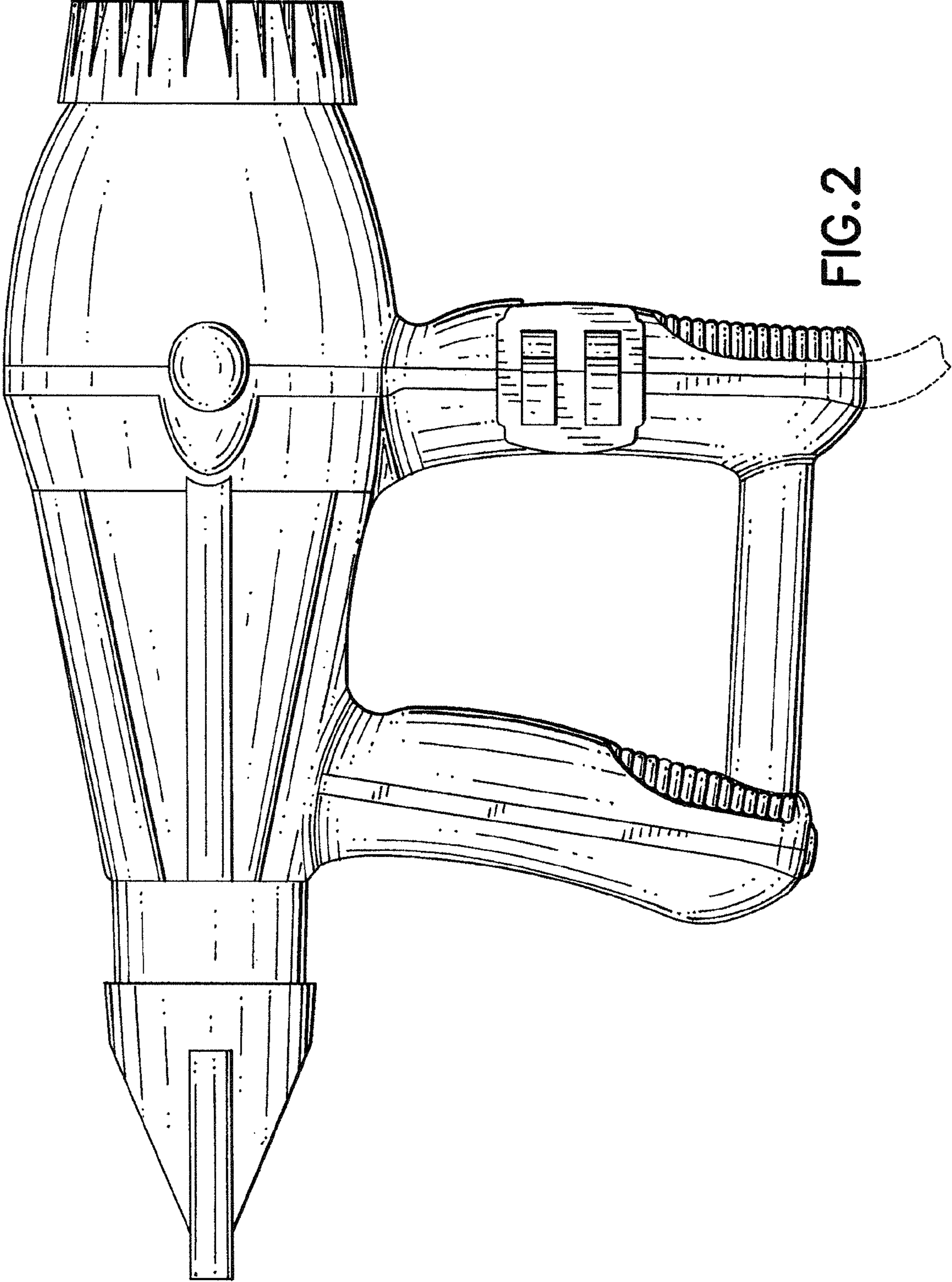


FIG. 2

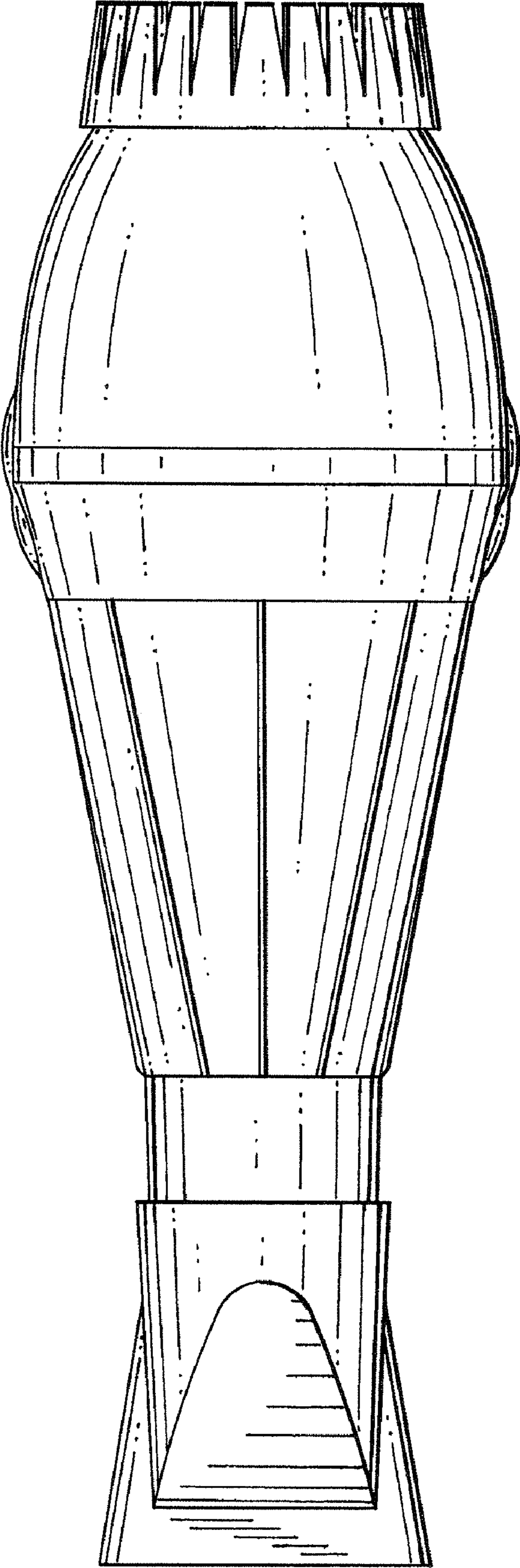


FIG. 3

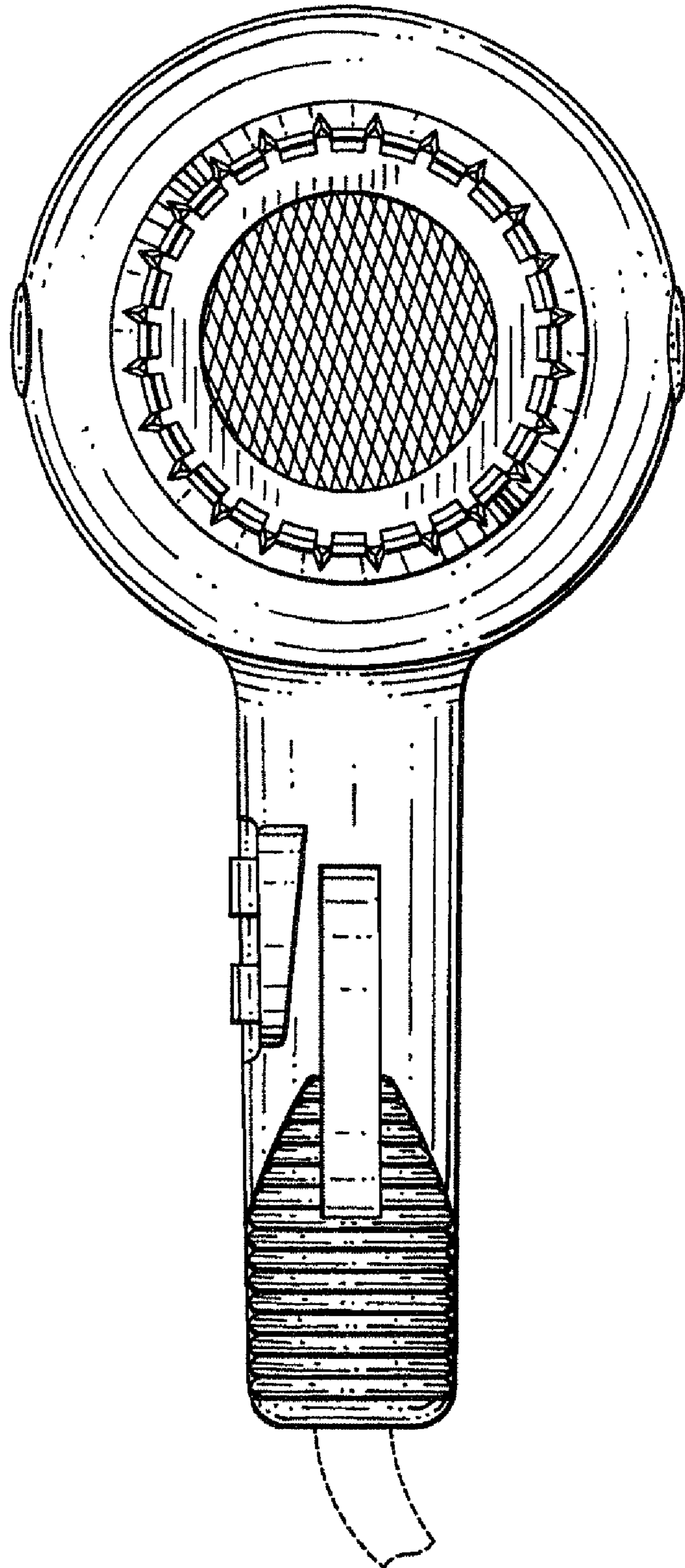


FIG. 4

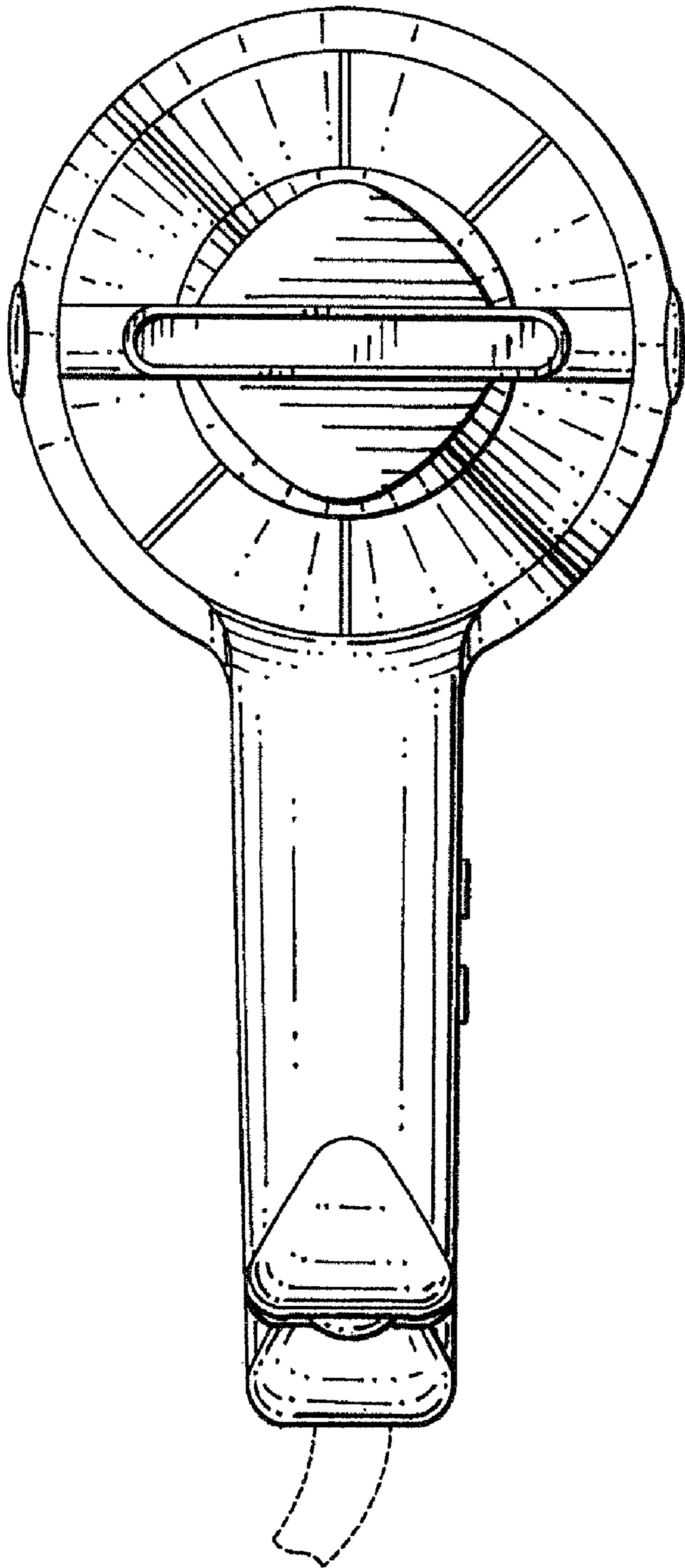


FIG.5

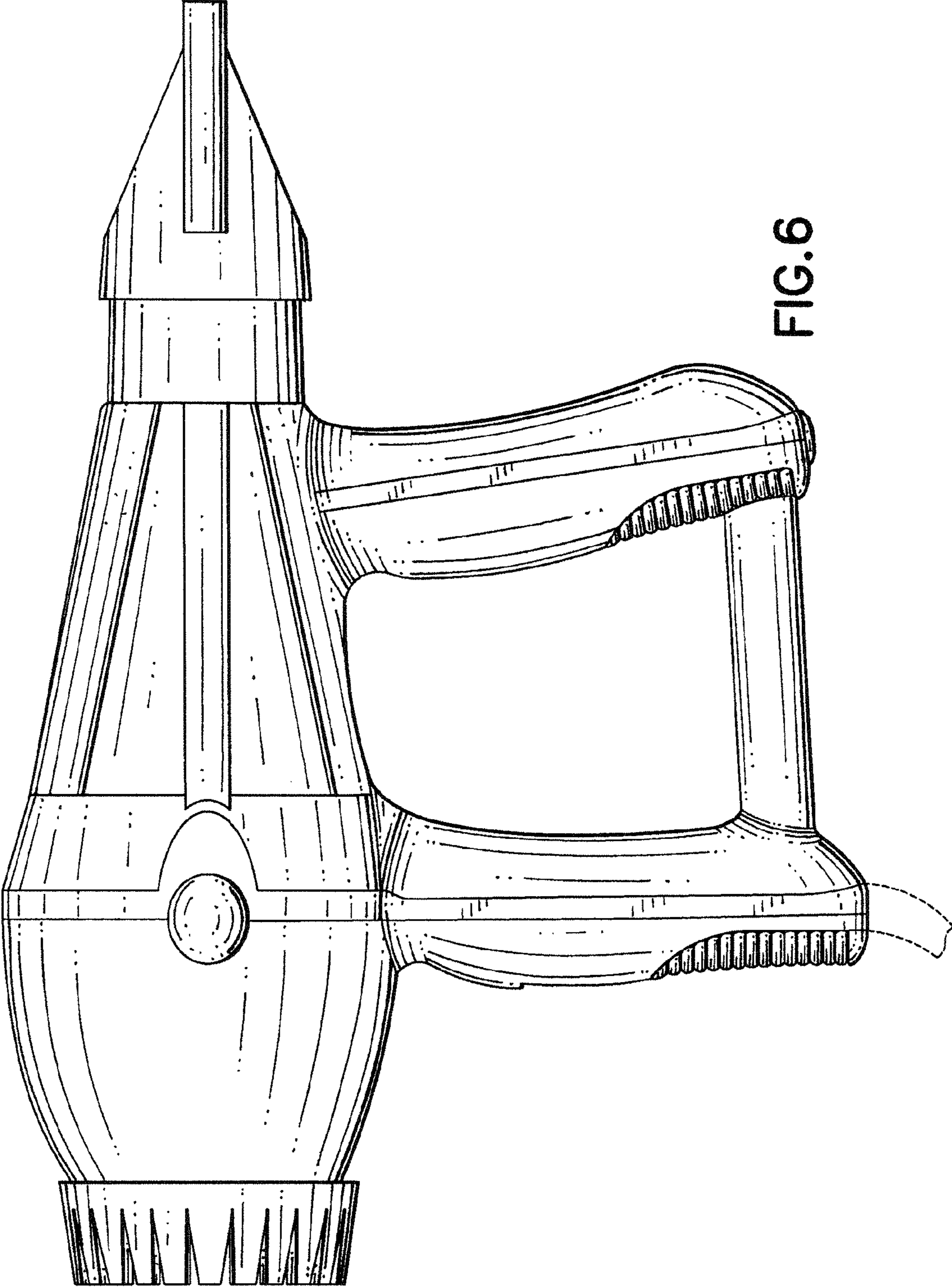


FIG. 6

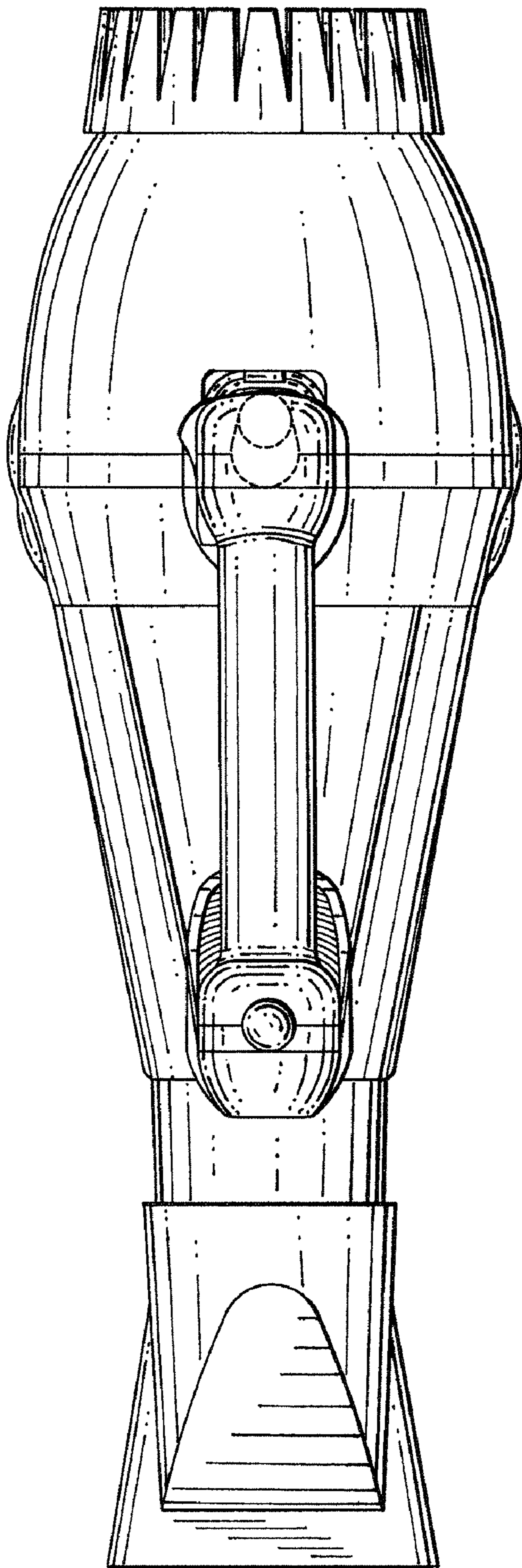


FIG. 7