



US00D655032S

(12) **United States Design Patent**
Kong et al.

(10) **Patent No.:** **US D655,032 S**

(45) **Date of Patent:** **** Feb. 28, 2012**

(54) **LED LIGHTING APPARATUS**

(75) Inventors: **Kyung-II Kong**, Seoul (KR); **Hwayoung Kim**, Seoul (KR); **Jihoo Kim**, Seoul (KR)

(73) Assignee: **LG Innotek Co., Ltd.**, Seoul (KR)

(**) Term: **14 Years**

(21) Appl. No.: **29/376,770**

(22) Filed: **Oct. 12, 2010**

(30) **Foreign Application Priority Data**

Apr. 10, 2010 (KR) 30-2010-0015959
Apr. 10, 2010 (KR) 30-2010-0015960
Apr. 10, 2010 (KR) 30-2010-0015961
Apr. 10, 2010 (KR) 30-2010-0015962

(51) **LOC (9) Cl.** **26-03**

(52) **U.S. Cl.** **D26/83**

(58) **Field of Classification Search** D26/72,
D26/80-83, 85, 89; 362/147, 240, 249.01,
362/249.02, 432

See application file for complete search history.

(56) **References Cited**

U.S. PATENT DOCUMENTS

D239,729 S * 4/1976 Alabardo D26/83
D272,656 S * 2/1984 Parker D26/65
D311,781 S * 10/1990 Usher D26/65
7,108,403 B1 * 9/2006 Walters et al. 362/368
D539,943 S * 4/2007 Egawa et al. D26/24

D565,240 S * 3/2008 Blum et al. D26/138
D576,333 S * 9/2008 Benensohn D26/72
D580,093 S * 11/2008 Conroy D26/138
D603,547 S * 11/2009 Starck D26/72
D607,597 S * 1/2010 Choi D26/80
D639,486 S * 6/2011 Wauters D26/83
D643,961 S * 8/2011 Mancini et al. D26/83

* cited by examiner

Primary Examiner — Clare E Heflin

(74) *Attorney, Agent, or Firm* — KED & Associates LLP

(57) **CLAIM**

We claim the ornamental design for a “LED lighting apparatus,” as shown and described.

DESCRIPTION

FIG. 1 is a front perspective view of a LED lighting apparatus showing our design;

FIG. 2 is a front view of the LED lighting apparatus of FIG. 1;

FIG. 3 is a rear view of the LED lighting apparatus of FIG. 1;

FIG. 4 is a left side view of the LED lighting apparatus of FIG. 1;

FIG. 5 is a right side view of the LED lighting apparatus of FIG. 1;

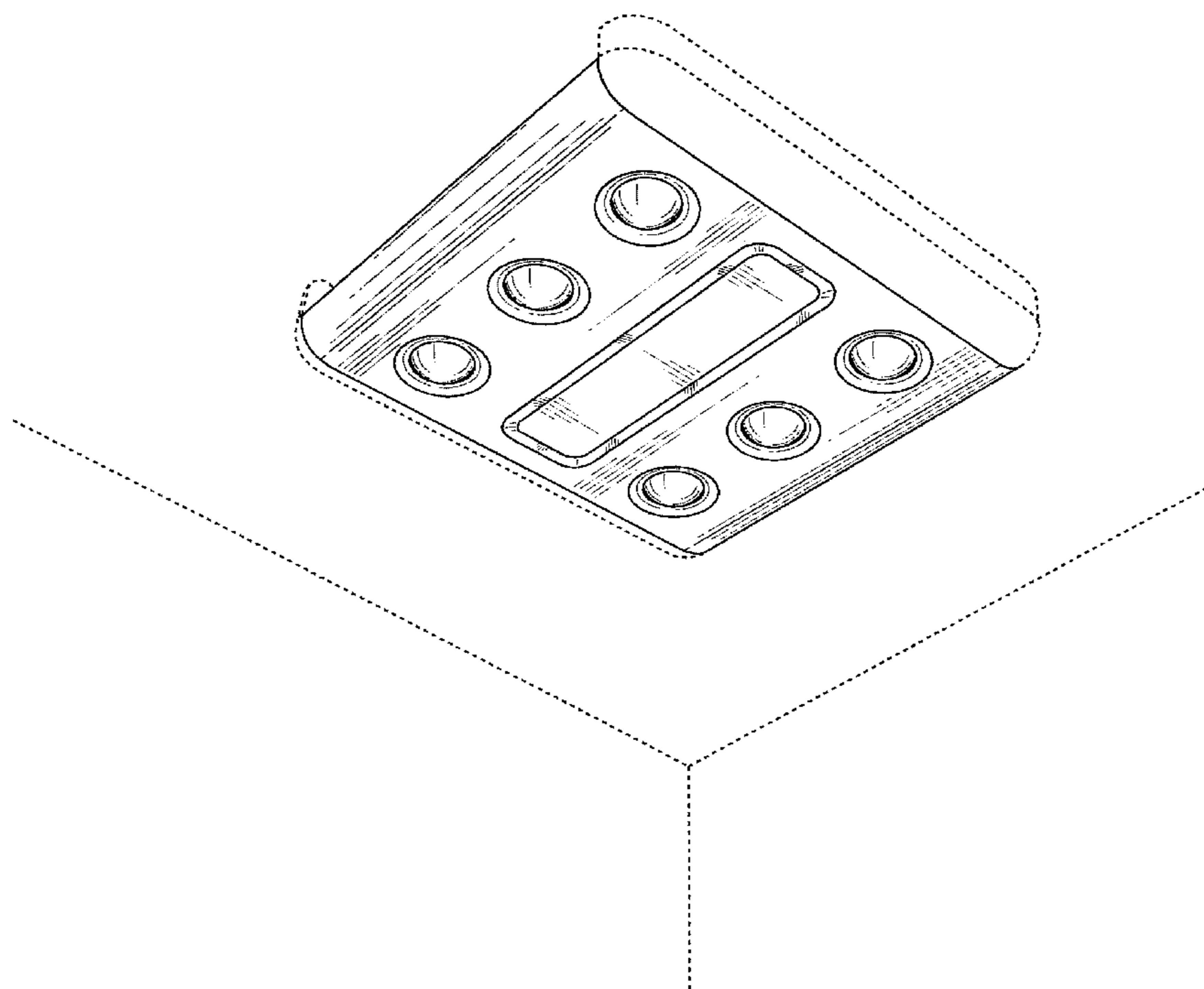
FIG. 6 is a top view of the LED lighting apparatus of FIG. 1;

FIG. 7 is a bottom view of the LED lighting apparatus of FIG. 1; and,

FIG. 8 is a front perspective view of the LED lighting apparatus of FIG. 1 shown in use installed on an exemplary ceiling with the light emitting part in diagonal line.

The broken lines shown on the drawings depict environment only and form no part of the claimed design.

1 Claim, 4 Drawing Sheets



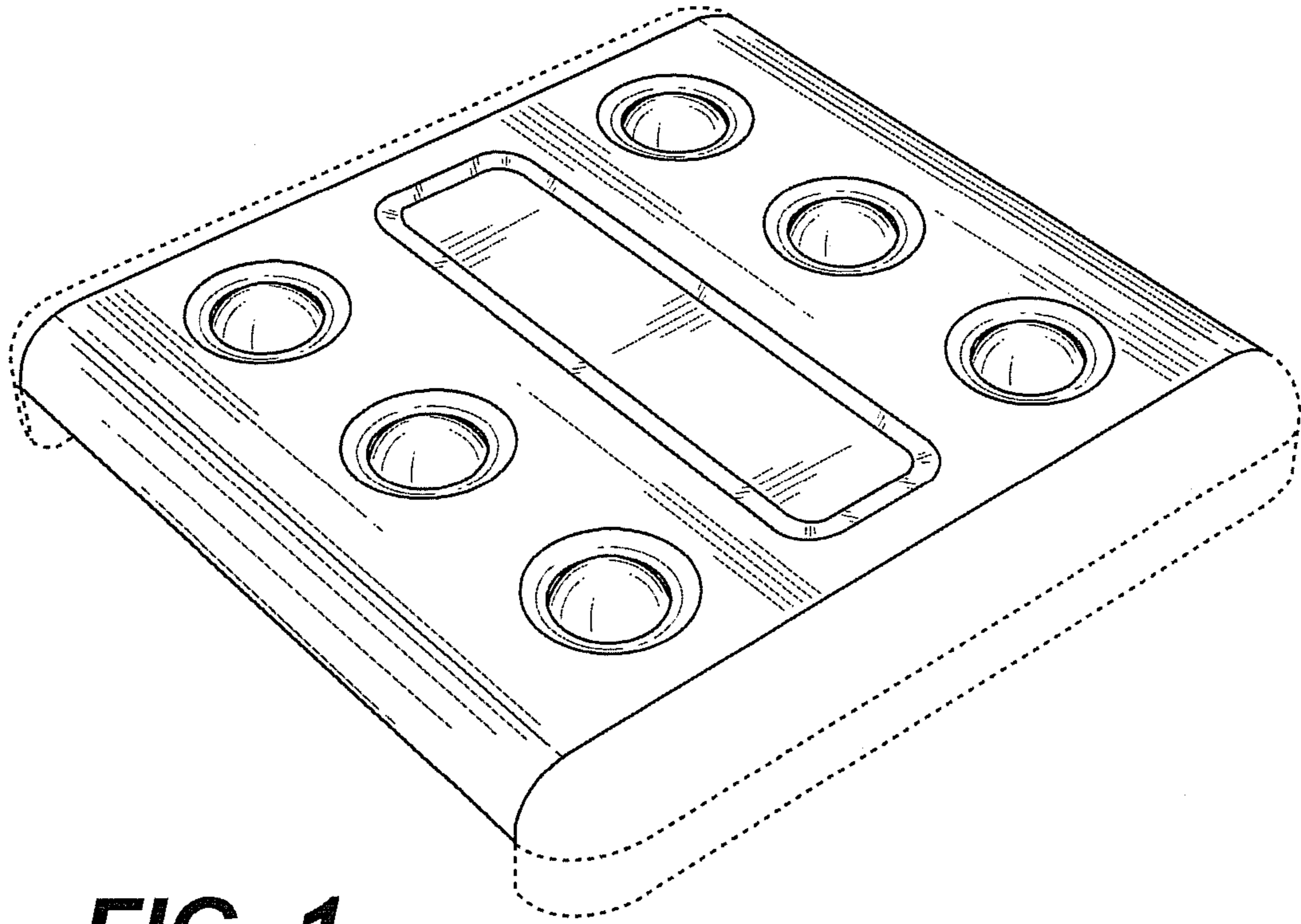


FIG. 1

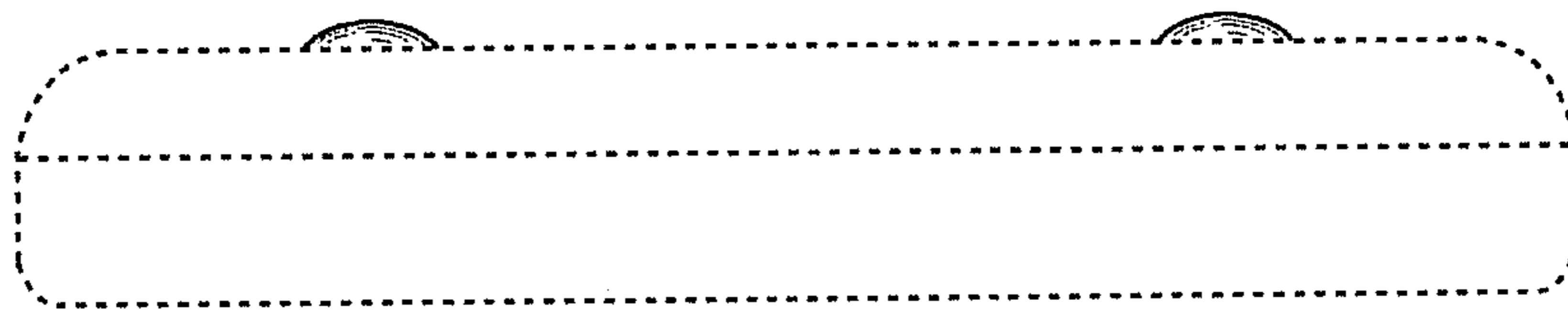


FIG. 2

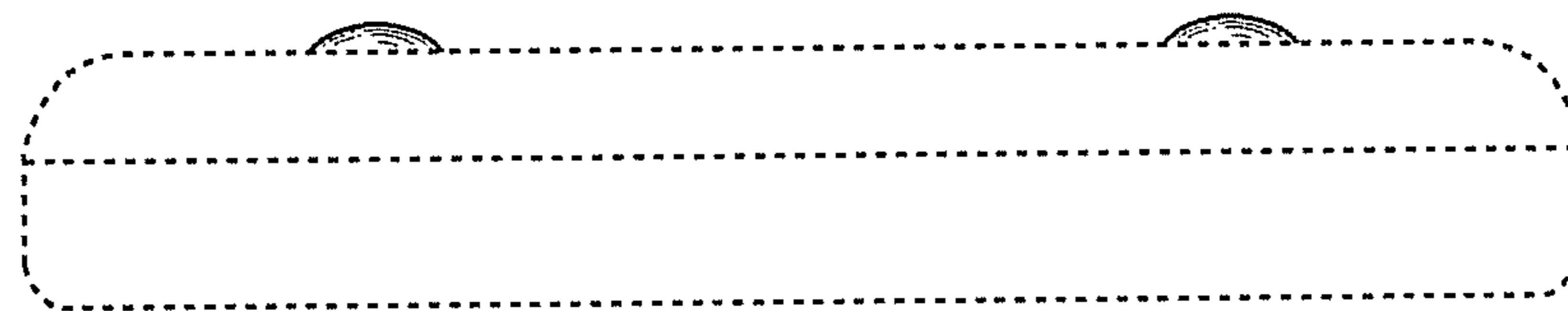


FIG. 3

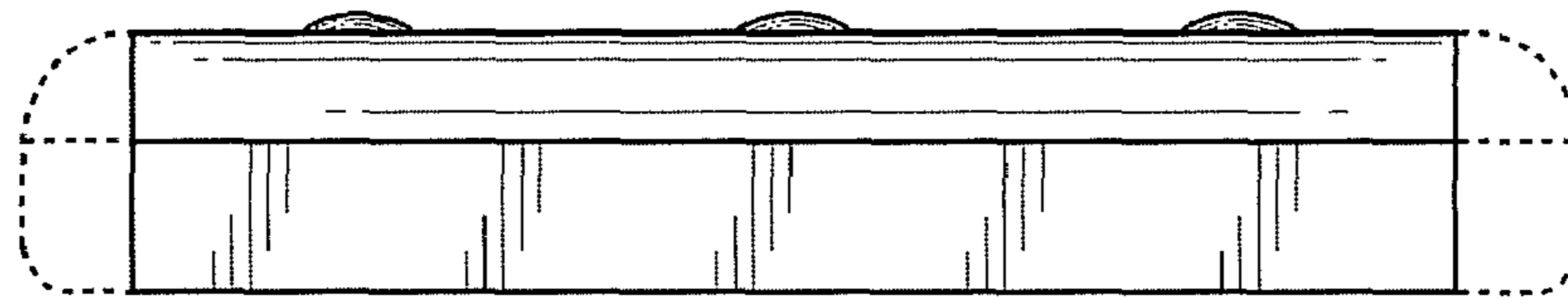


FIG. 4

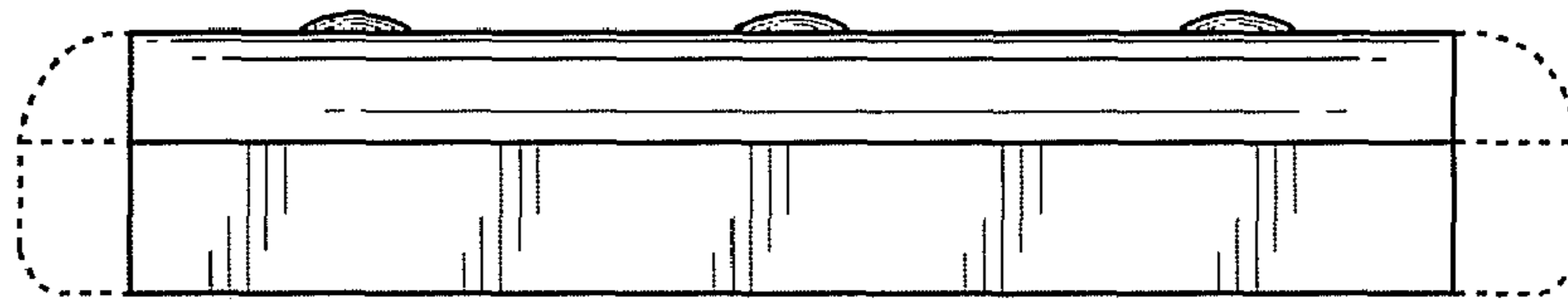


FIG. 5

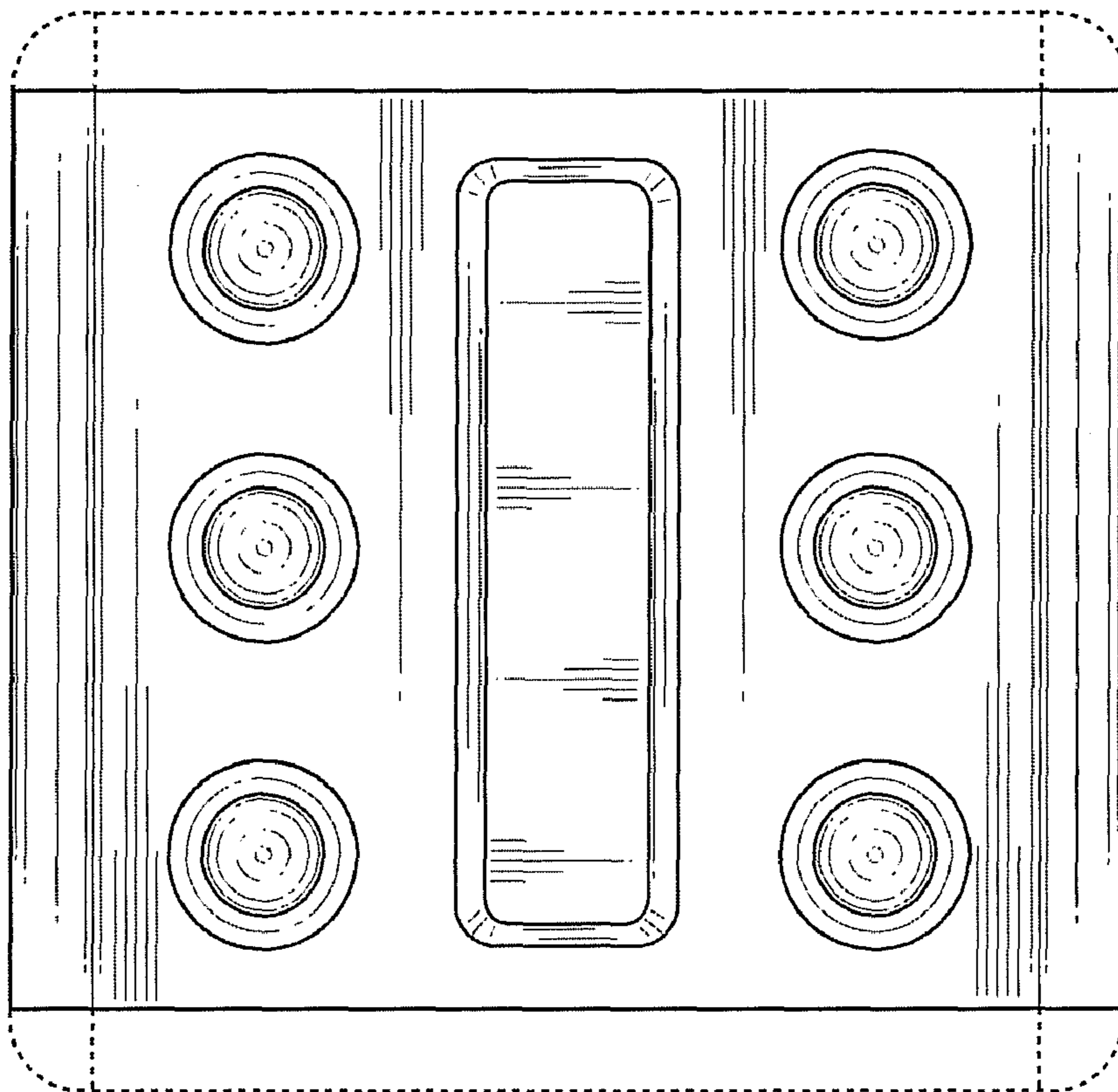


FIG. 6

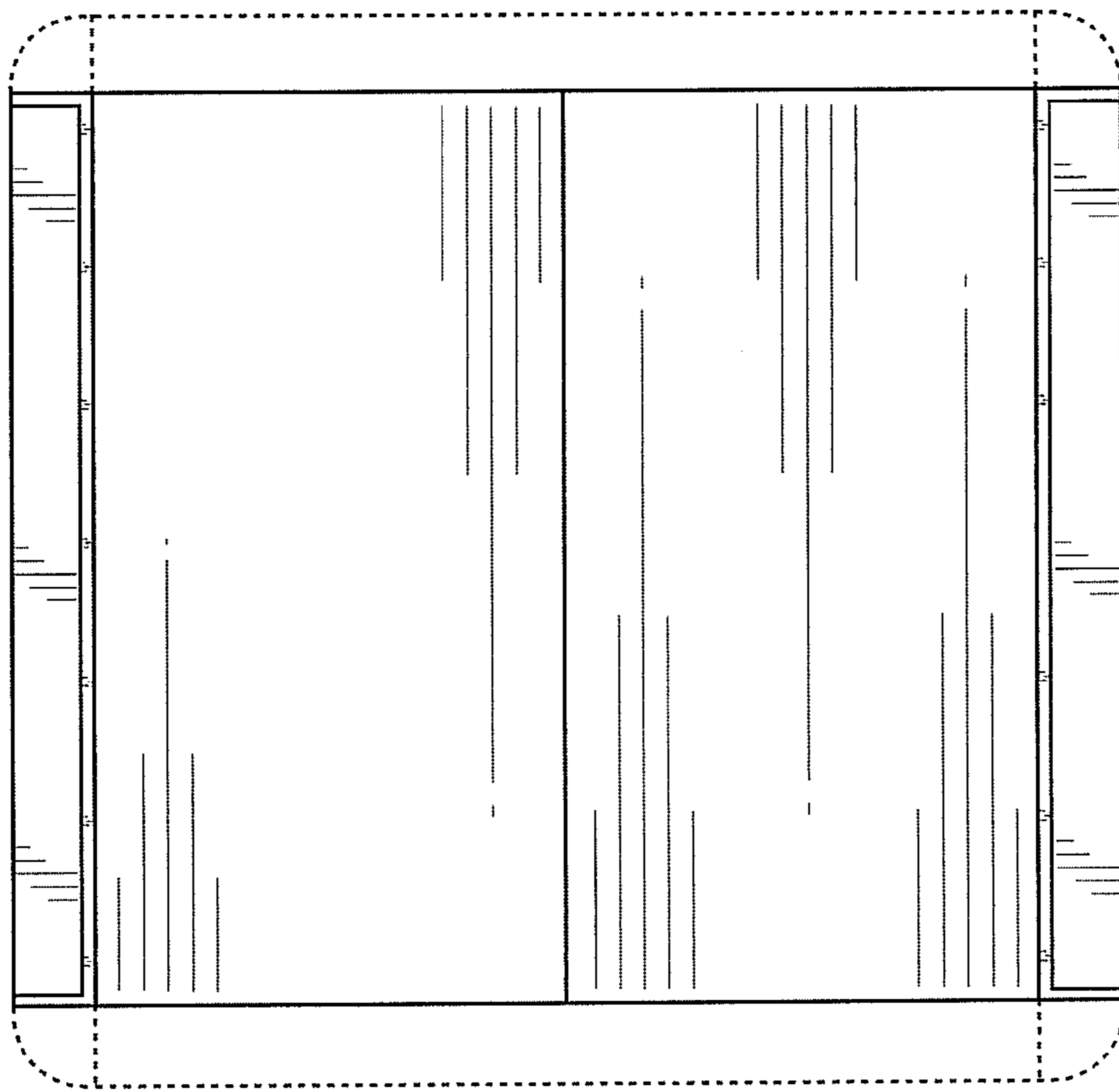


FIG. 7

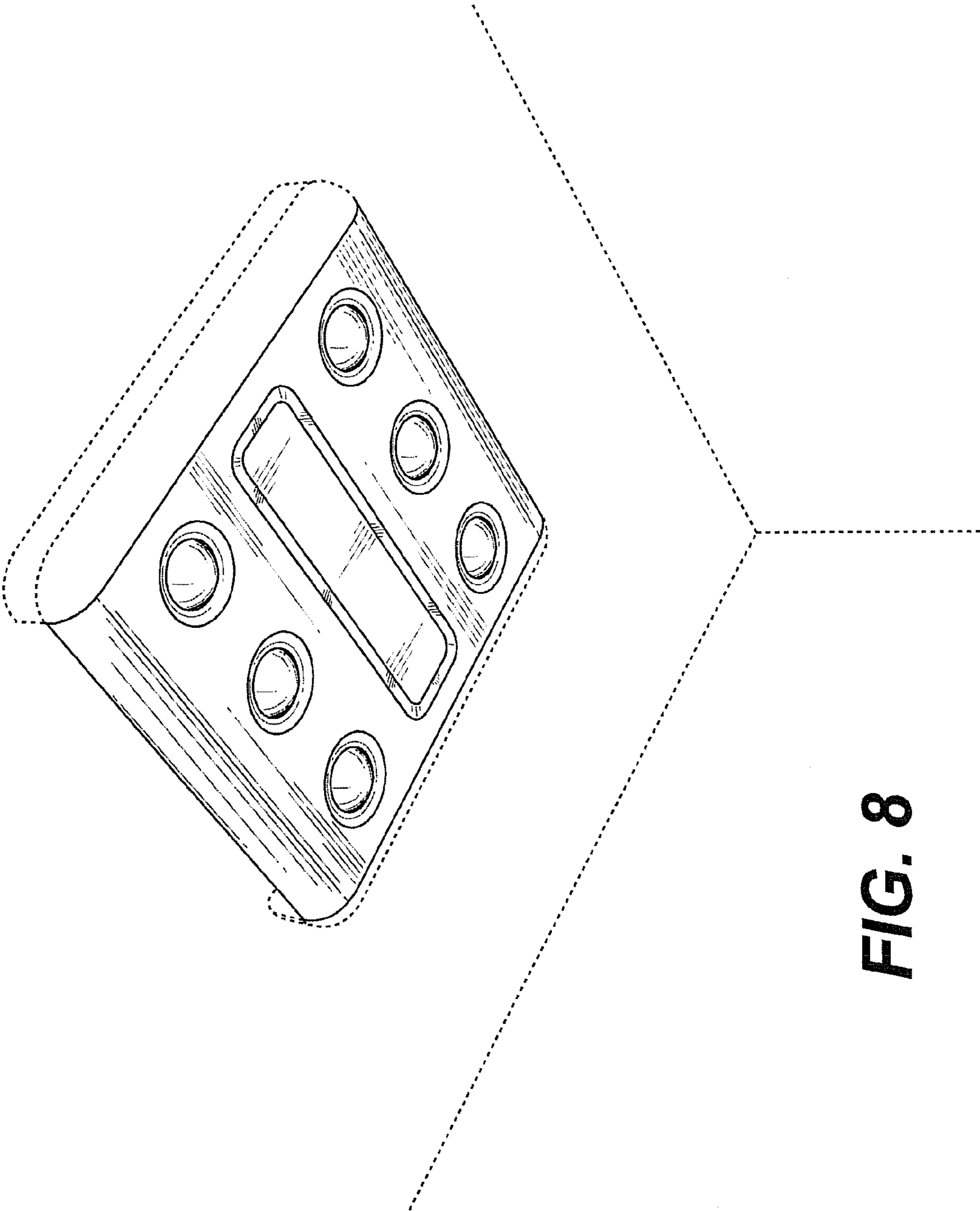


FIG. 8