



US00D655031S

(12) **United States Design Patent**
Ng et al.

(10) **Patent No.:** **US D655,031 S**
(45) **Date of Patent:** **** Feb. 28, 2012**

(54) **LIGHT**

(75) Inventors: **Kenneth Ng**, Arcadia, CA (US);
Edmund Ng, Temple City, CA (US);
Peter Ng, Hong Kong (CN)

(73) Assignee: **Koncept Technologies Inc.**, Monterey
Park, CA (US)

(**) Term: **14 Years**

(21) Appl. No.: **29/391,031**

(22) Filed: **May 2, 2011**

(51) **LOC (9) Cl.** **26-03**

(52) **U.S. Cl.** **D26/80**

(58) **Field of Classification Search** D26/75,
D26/76, 80, 85-92, 128, 130; 362/133, 147,
362/240, 404-408, 431, 432
See application file for complete search history.

(56) **References Cited**

U.S. PATENT DOCUMENTS

D359,374	S	*	6/1995	Weinstock	D26/80
D374,737	S	*	10/1996	Can	D26/80
D502,565	S	*	3/2005	Hetfield	D26/76
7,156,537	B1	*	1/2007	Cohrs	362/147
D593,698	S	*	6/2009	Noh	D26/76
D608,487	S	*	1/2010	Pei et al.	D26/76
D608,928	S	*	1/2010	Noh	D26/76
7,648,251	B2	*	1/2010	Whitehouse et al.	362/133
D610,293	S	*	2/2010	Klaus	D26/76
D621,989	S	*	8/2010	Proner	D26/76
D629,553	S	*	12/2010	Gielen	D26/76
D629,554	S	*	12/2010	Gielen	D26/76

OTHER PUBLICATIONS

Koncept Technologie Inc, "Led Lamps," ., www.konceptech.com, pp. 1-12.

Koncept Technologies Inc. (2010), UCX series touch-sensitive dimmer, pp. 1-2.

* cited by examiner

Primary Examiner — Clare E Heflin

(74) *Attorney, Agent, or Firm* — Foley & Lardner LLP

(57) **CLAIM**

We claim the ornamental design for a light, as shown and described.

DESCRIPTION

FIG. 1 is a perspective view of a light according to the claimed design;

FIG. 2 is a top view of a light according to the claimed design;

FIG. 3 is a bottom view of a light according to the claimed design;

FIG. 4 is a left side view of a light according to the claimed design;

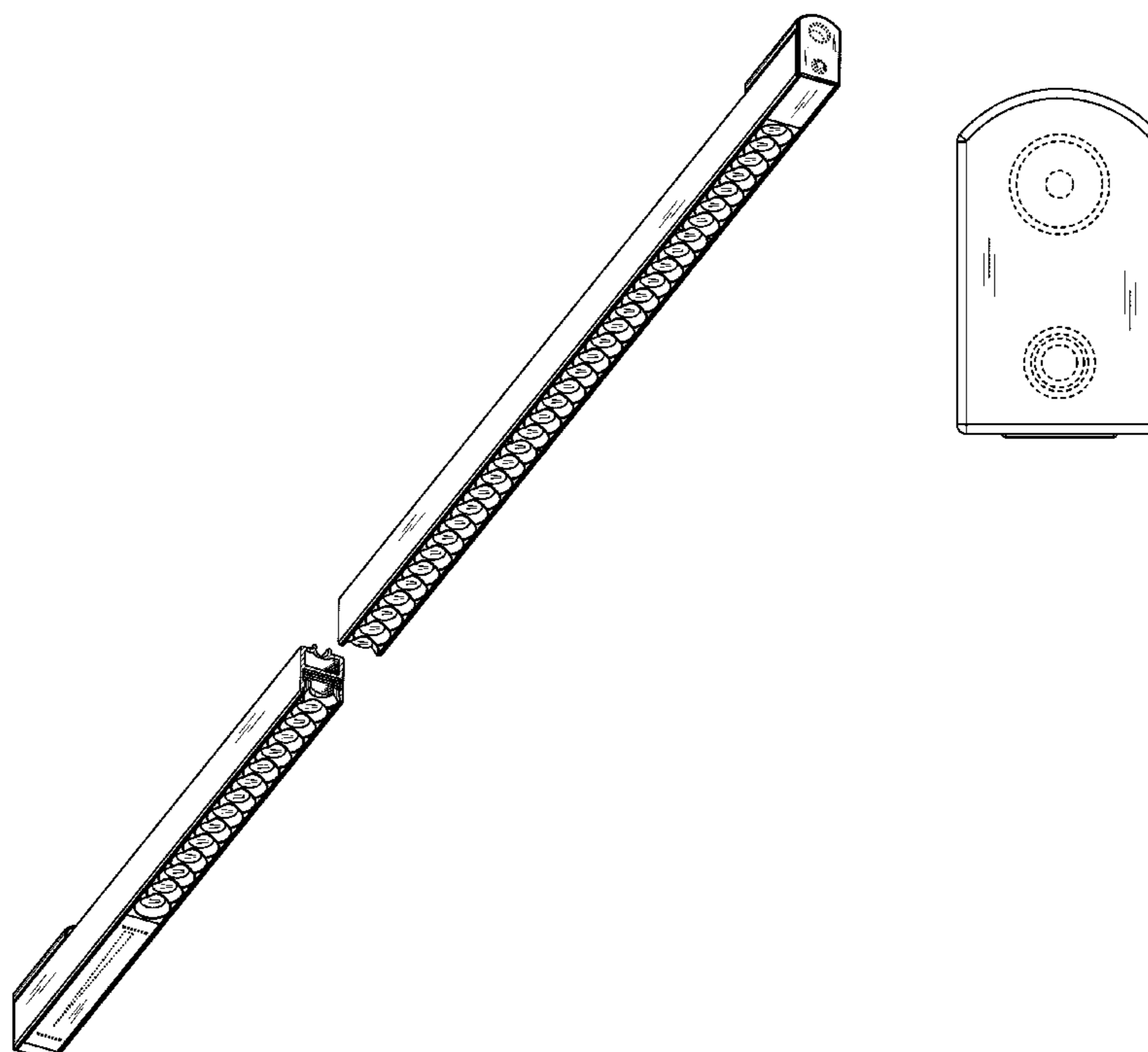
FIG. 5 is a right side view of a light according to the claimed design;

FIG. 6 is a front view of a light according to the claimed design; and,

FIG. 7 is a back view of a light according to the claimed design.

The design has been shown broken away to indicate that no particular length is claimed. Elements drawn in broken lines are understood to be for illustrative purposes only and form no part of the claimed design.

1 Claim, 4 Drawing Sheets



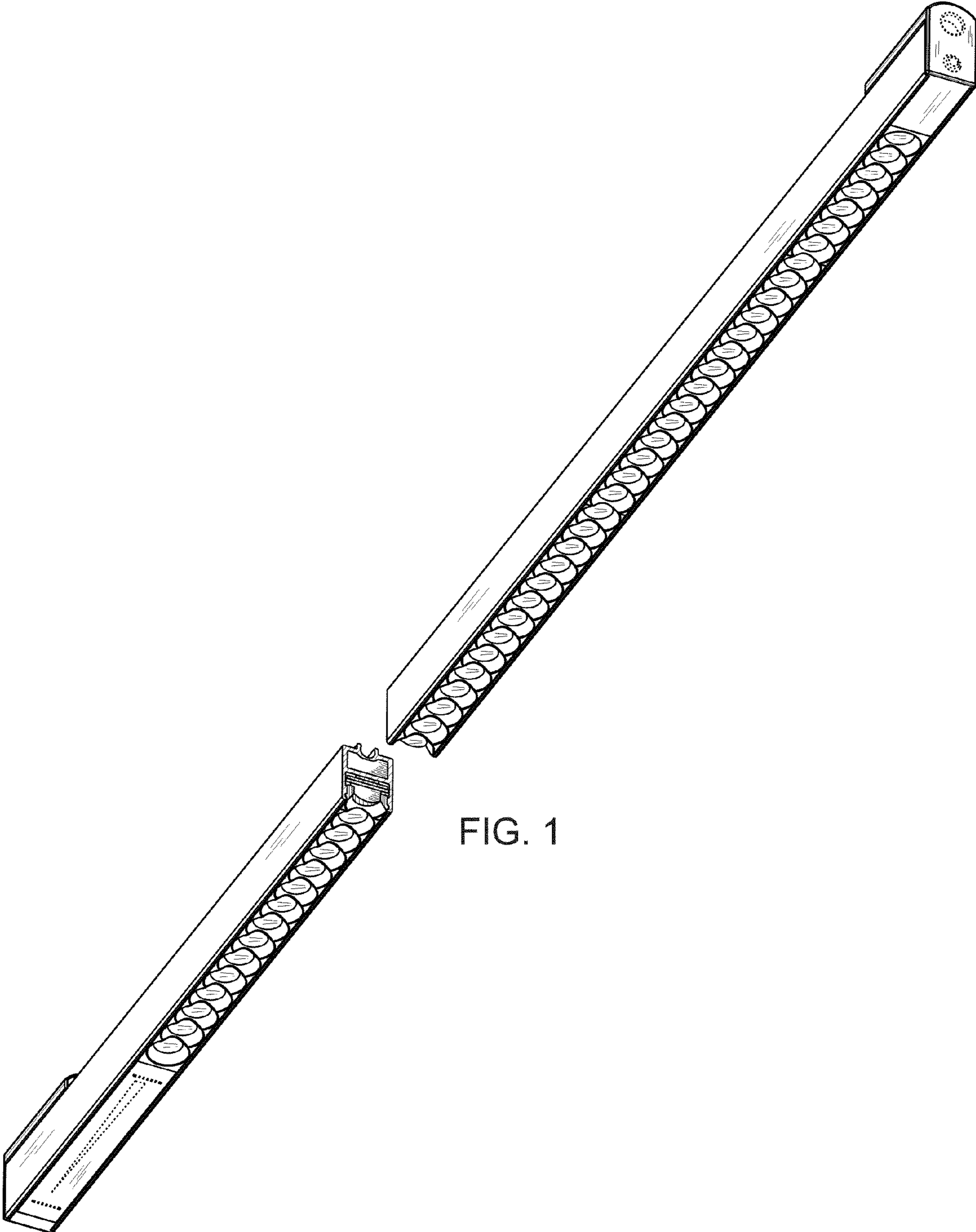


FIG. 1

FIG. 2

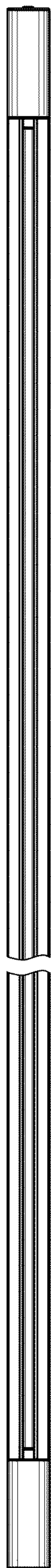


FIG. 3



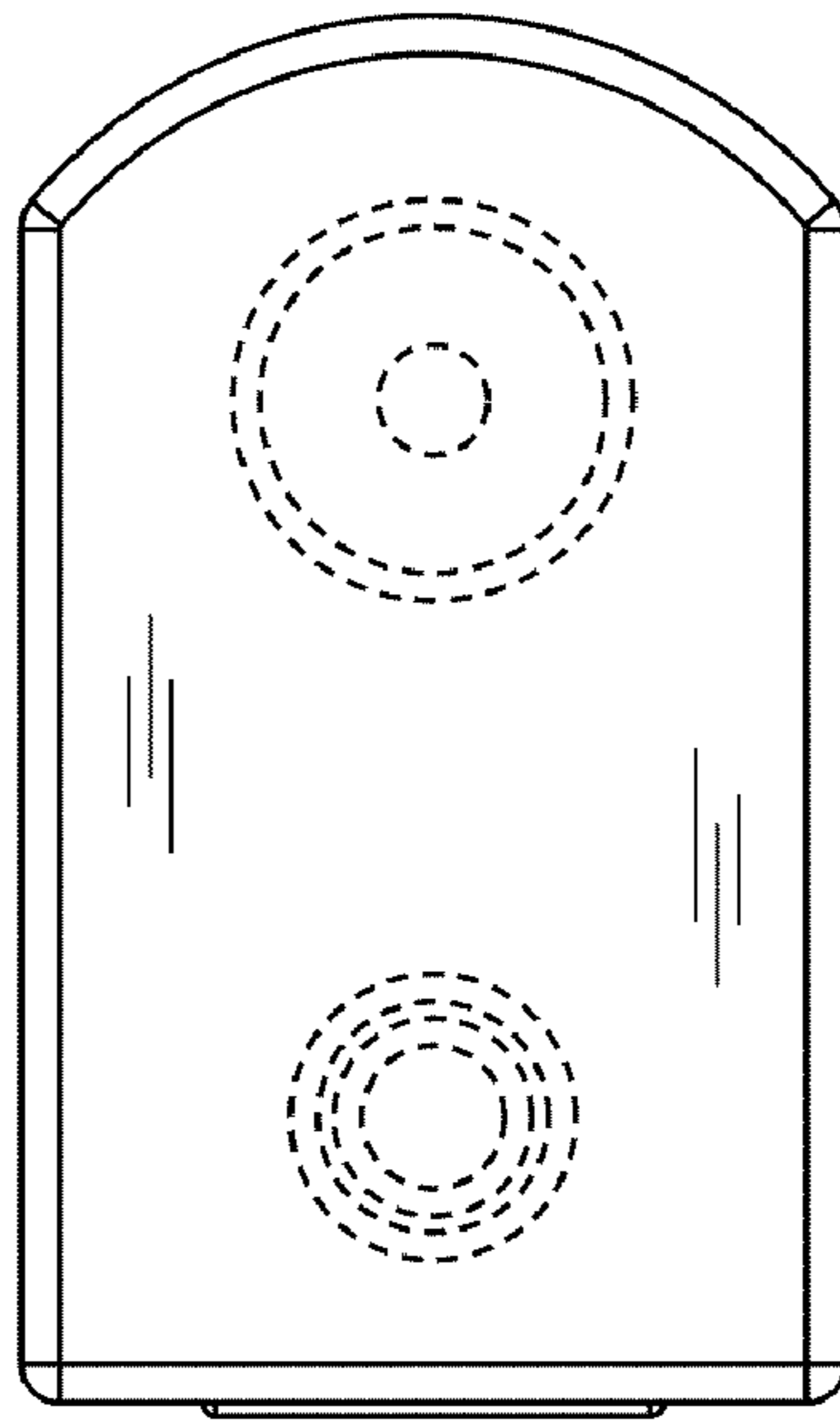


FIG. 4

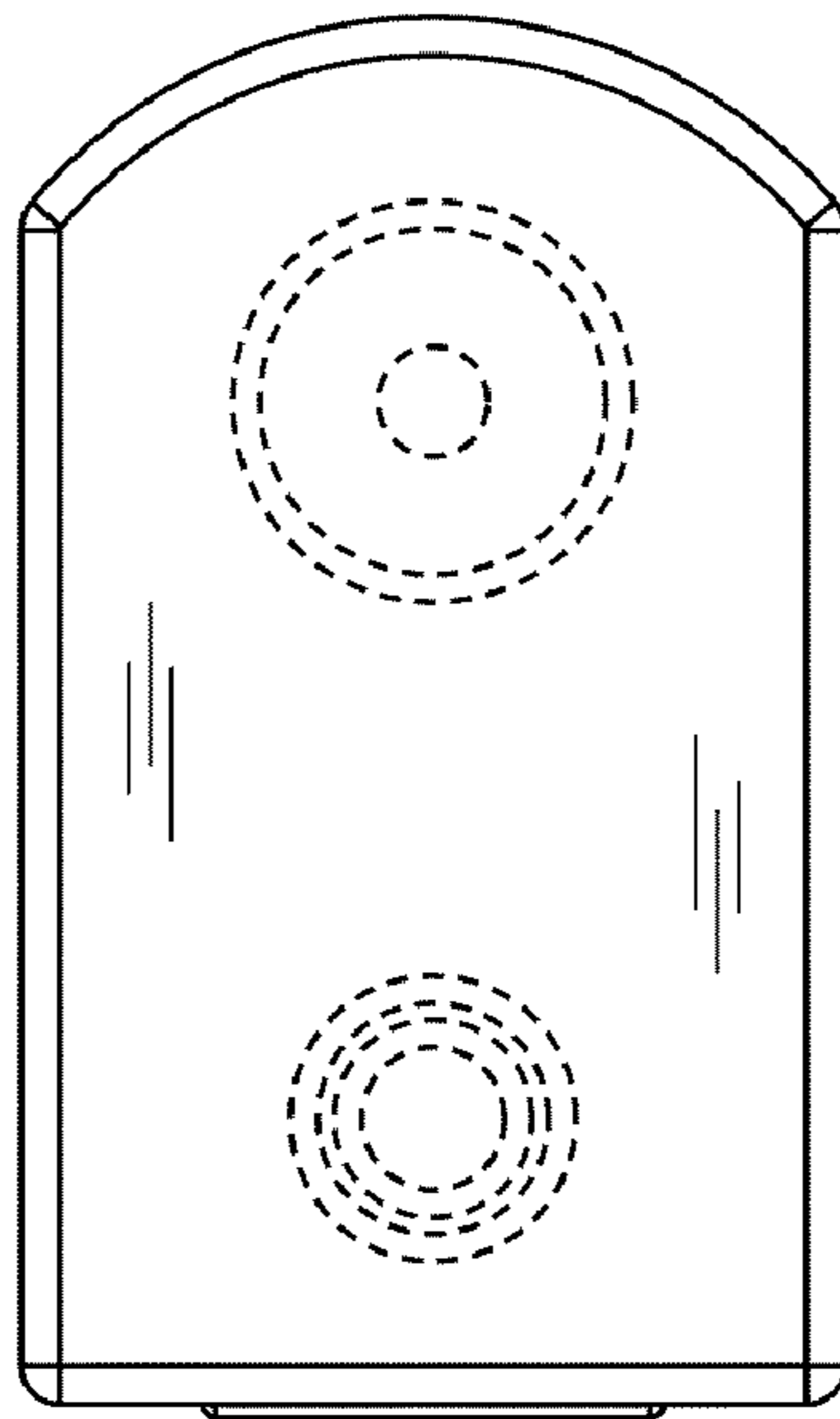


FIG. 5

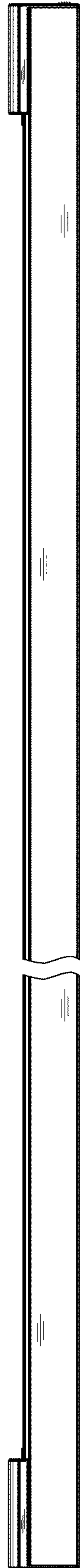


FIG. 6

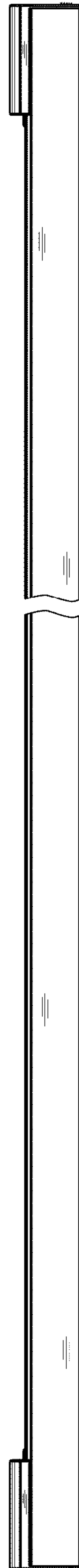


FIG. 7