



US00D655030S

(12) **United States Design Patent**
Beghelli

(10) **Patent No.:** **US D655,030 S**

(45) **Date of Patent:** **** Feb. 28, 2012**

(54) **LIGHTING APPARATUS**

(75) Inventor: **Gian Pietro Beghelli**, Montevoglio (IT)

(73) Assignee: **Beghelli S.p.A.**, Montevoglio (Bologna)
(IT)

(**) Term: **14 Years**

(21) Appl. No.: **29/379,648**

(22) Filed: **Nov. 22, 2010**

(30) **Foreign Application Priority Data**

May 20, 2010 (EM) 001709973-0002

(51) **LOC (9) Cl.** **26-05**

(52) **U.S. Cl.** **D26/71; D26/92**

(58) **Field of Classification Search** D26/67-71,
D26/92; 362/147, 152, 310, 431, 432
See application file for complete search history.

(56) **References Cited**

U.S. PATENT DOCUMENTS

D522,686 S *	6/2006	Lee	D26/142
D571,496 S *	6/2008	Lenz	D26/68
D576,342 S *	9/2008	Sole	D26/92
D595,886 S *	7/2009	Lodhie	D26/71

D599,497 S *	9/2009	Liu	D26/67
D599,935 S *	9/2009	van Klinken	D26/67
D610,286 S *	2/2010	Kimura	D26/71
D615,235 S *	5/2010	Zheng	D26/71
D616,130 S *	5/2010	Tortel	D26/67
D620,170 S *	7/2010	Schwartz et al.	D26/71
D621,988 S *	8/2010	Zheng et al.	D26/71
D631,589 S *	1/2011	Beghelli	D26/71
D637,336 S *	5/2011	Van Klinken et al.	D26/71

* cited by examiner

Primary Examiner — Clare E Heflin

(74) *Attorney, Agent, or Firm* — Hedman & Costigan, P.C.;
Kathleen A. Costigan

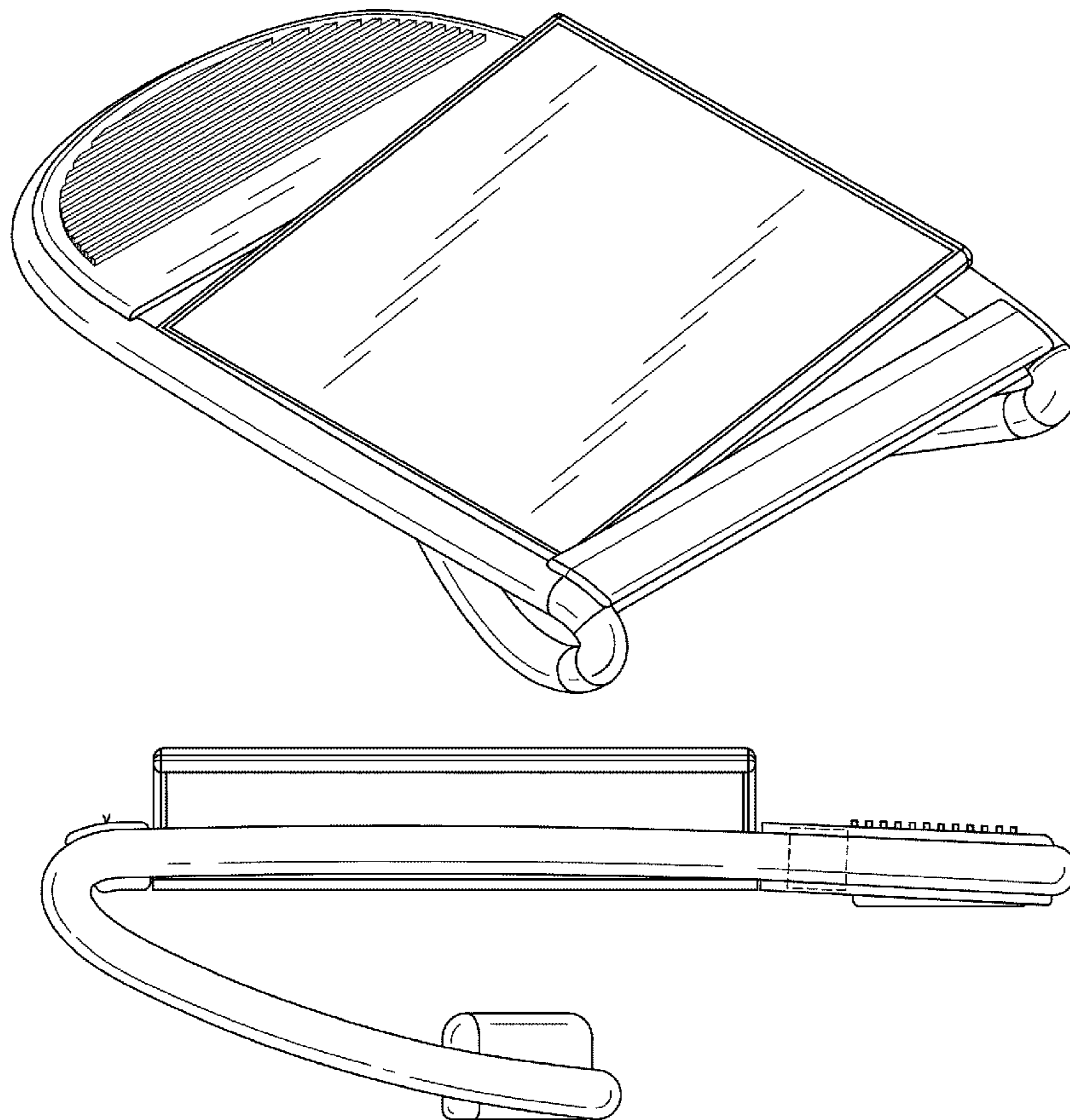
(57) **CLAIM**

I claim the ornamental design for a lighting apparatus, as shown and described.

DESCRIPTION

FIG. 1 is a front perspective view of a lighting apparatus according to the present invention;
FIG. 2 is a bottom view thereof;
FIG. 3 is a front view thereof;
FIG. 4 is a top view thereof;
FIG. 5 is a right side view thereof;
FIG. 6 is a left side view thereof; and,
FIG. 7 is a back view thereof.

1 Claim, 3 Drawing Sheets



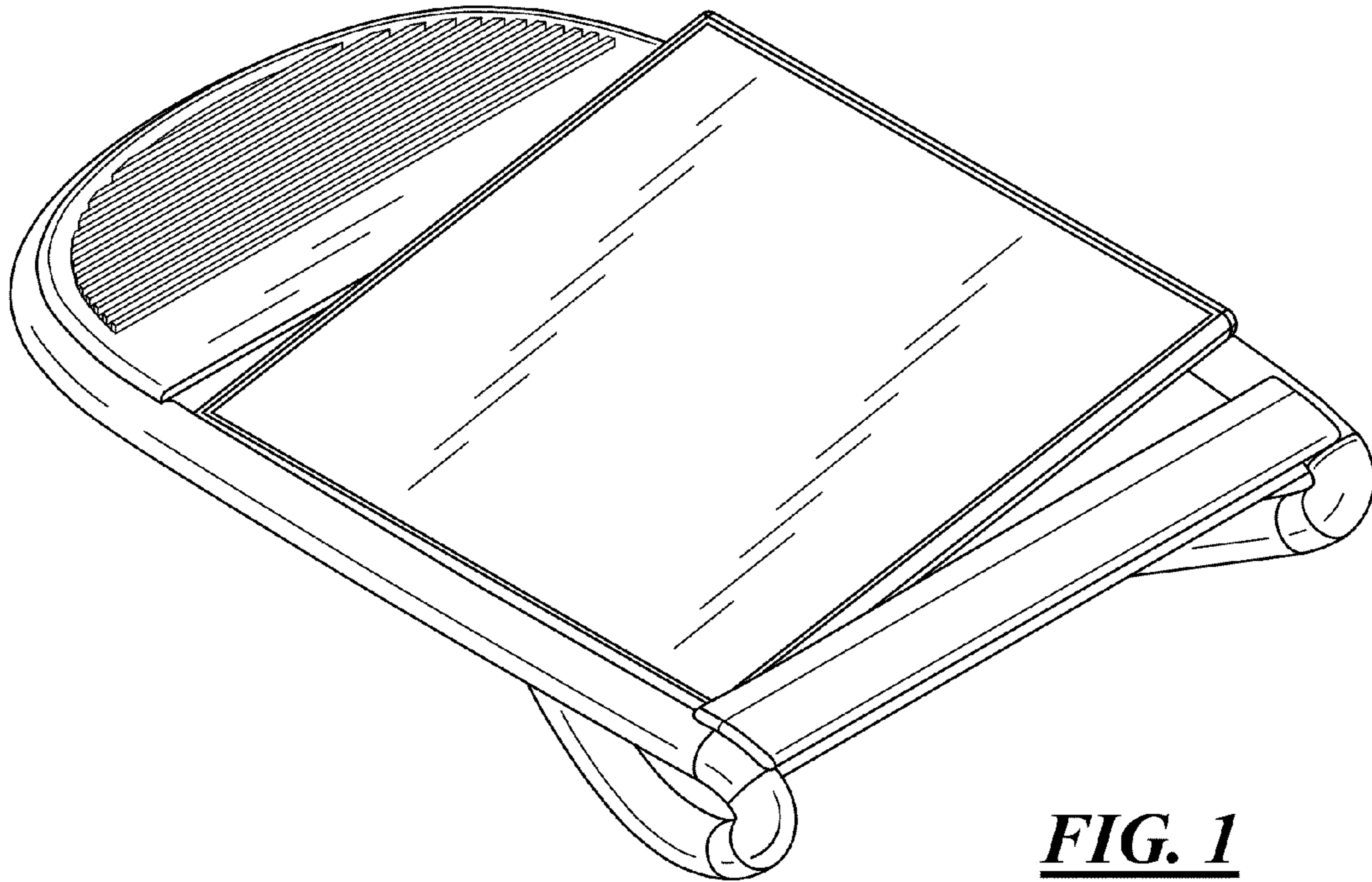


FIG. 1

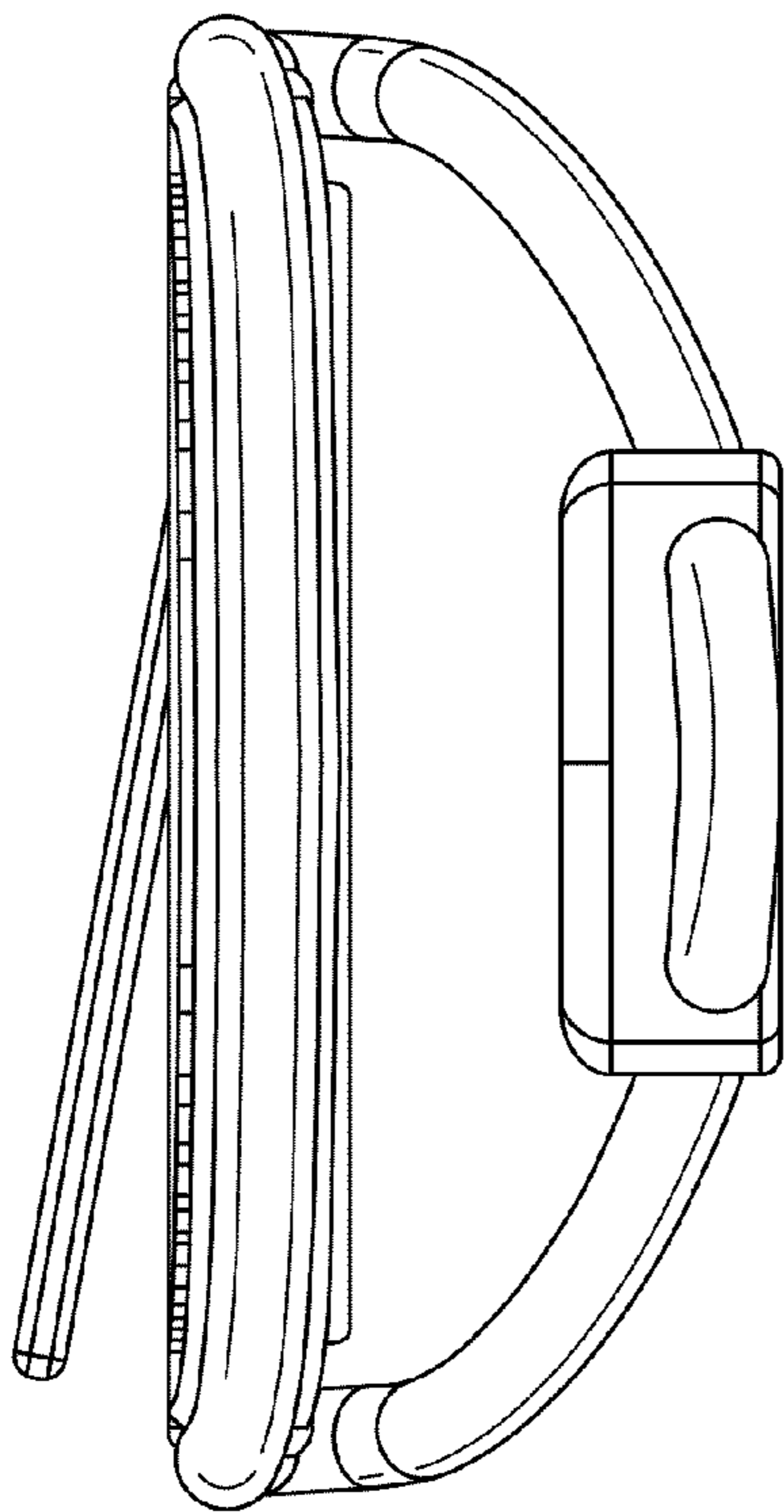


FIG. 2

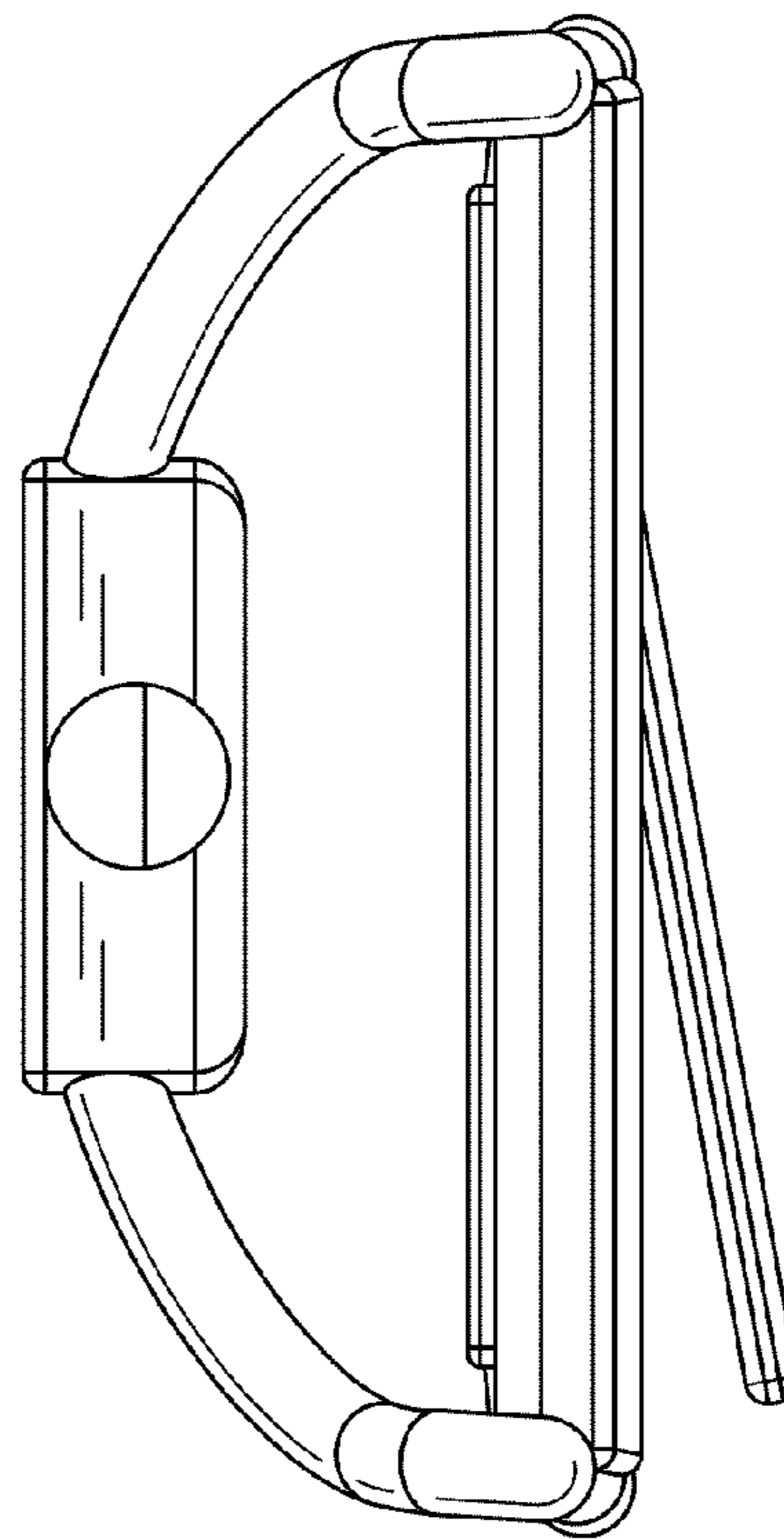


FIG. 4

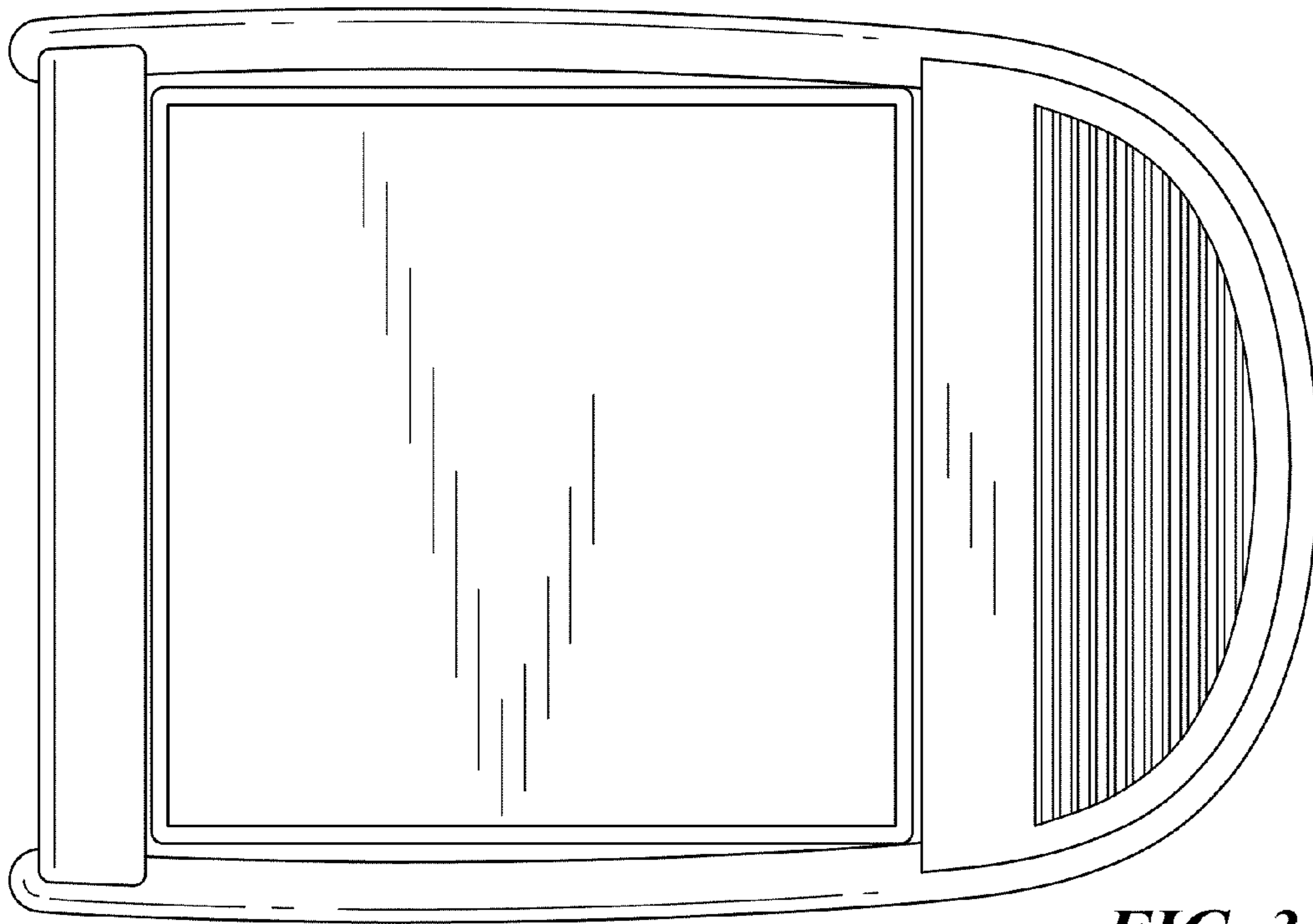


FIG. 3

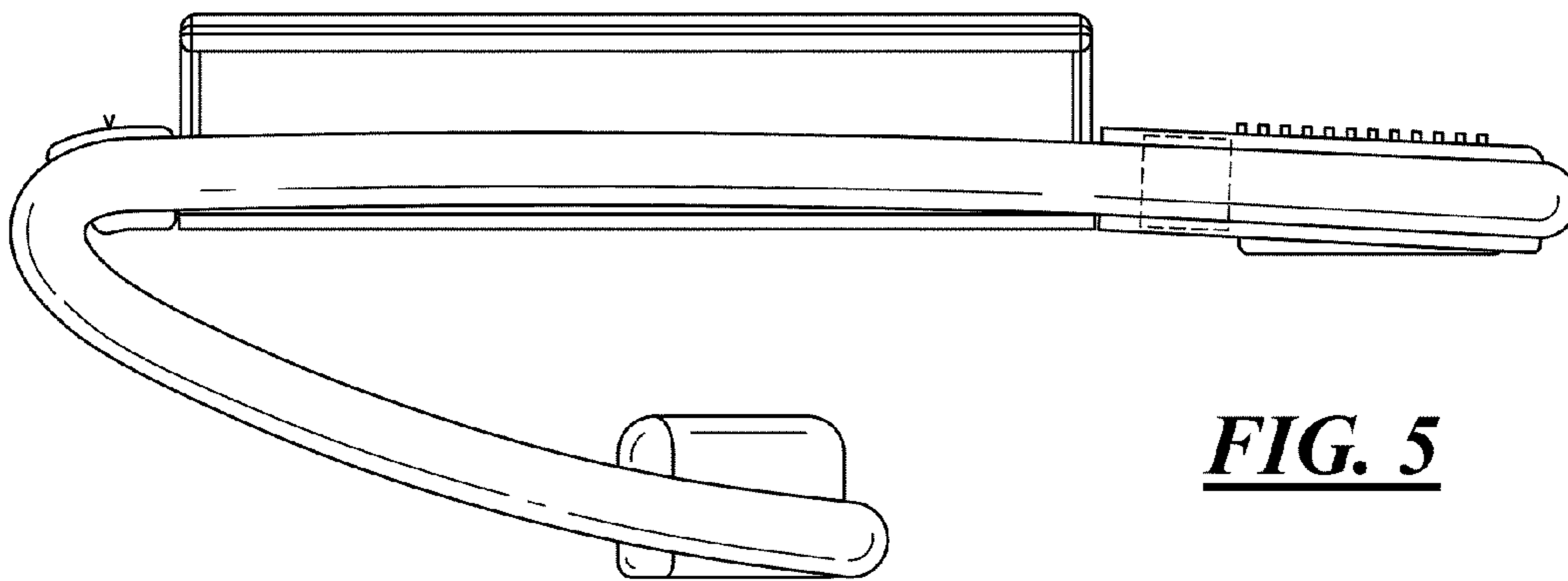


FIG. 5

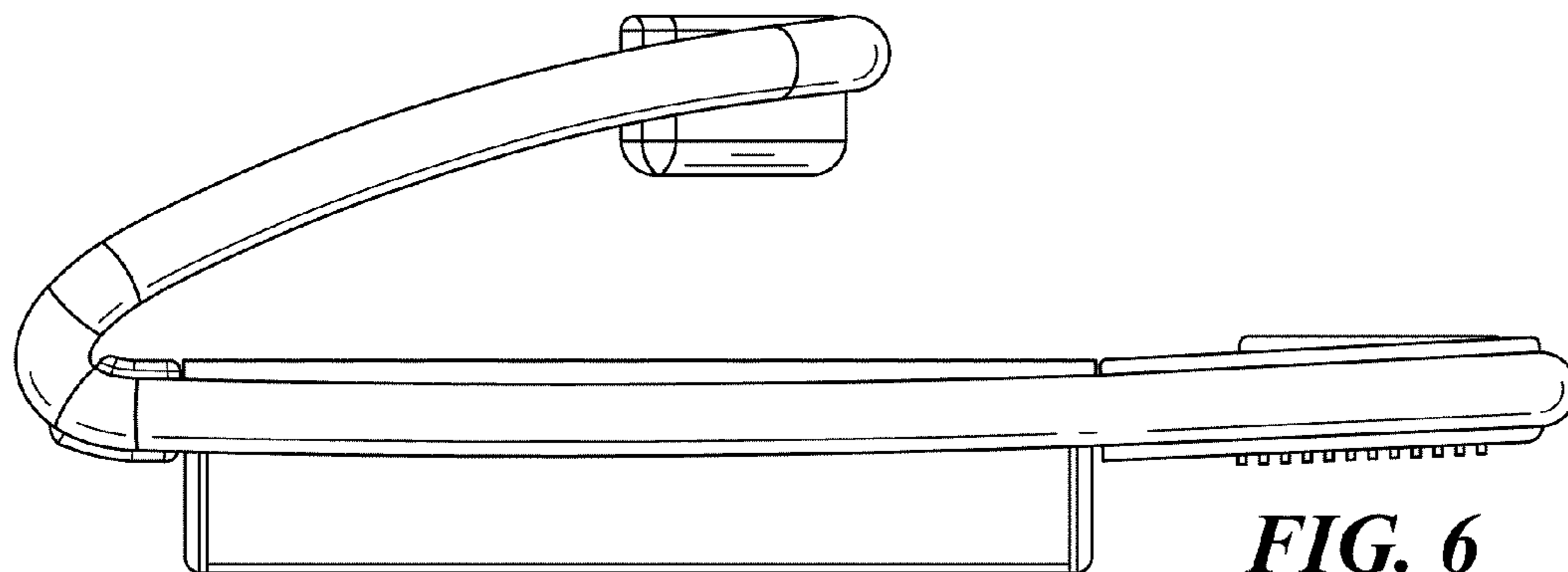


FIG. 6

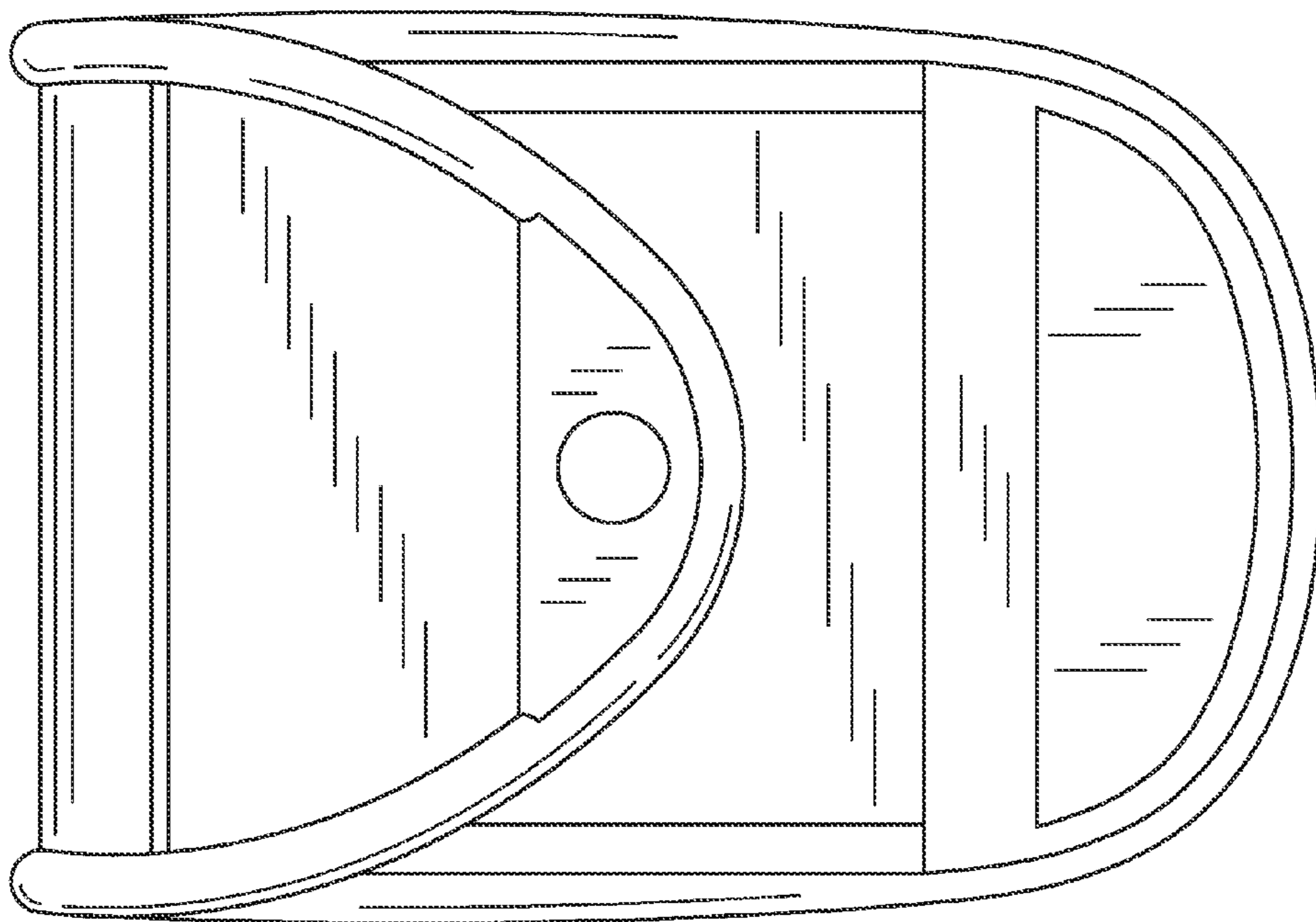


FIG. 7