



US00D655028S

(12) **United States Design Patent**
Cravedi

(10) **Patent No.:** **US D655,028 S**

(45) **Date of Patent:** **** Feb. 28, 2012**

(54) **OUTDOOR LIGHT**

(76) Inventor: **James A. Cravedi**, Auburndale, MA
(US)

(**) Term: **14 Years**

(21) Appl. No.: **29/396,628**

(22) Filed: **Jul. 1, 2011**

(51) **LOC (9) Cl.** **26-05**

(52) **U.S. Cl.** **D26/68**

(58) **Field of Classification Search** D26/67-73,
D26/85, 107, 128, 130; 362/183, 427, 431,
362/311.13, 322, 324, 277, 348

See application file for complete search history.

(56) **References Cited**

U.S. PATENT DOCUMENTS

D20,688 S *	4/1891	Warner	D26/68
D31,745 S *	10/1899	Shaw et al.	D26/67
D870,525	11/1907	Bonnert		
D83,238 S *	2/1931	Mcfadden	D26/87
D90,777 S *	9/1933	Lippard	D26/73
D117,084 S *	10/1939	White	D26/67
D125,314 S *	2/1941	Proulx	D26/67
D205,240 S *	7/1966	Needham	D26/73
D208,065 S *	7/1967	Colletti	D26/11
D225,259 S *	11/1972	Skupien	D26/73
D442,318 S *	5/2001	Hsieh	D26/87
D444,589 S *	7/2001	Hsu	D26/87
D452,341 S *	12/2001	Jones et al.	D26/87
D475,153 S *	5/2003	Brunner et al.		
D479,891 S *	9/2003	Yeh		
D487,815 S *	3/2004	Hoernig	D26/87

D508,743 S	8/2005	Brady
D517,716 S	3/2006	Bucher et al.
D541,968 S	5/2007	Tortel
D541,969 S	5/2007	Bucher et al.
D551,790 S	9/2007	Richmond
D574,535 S	8/2008	Sanoner
D574,539 S	8/2008	Sanoner
D599,931 S	9/2009	Van Klinken
D599,938 S	9/2009	Sabernig
D625,874 S	10/2010	Sanoner

* cited by examiner

Primary Examiner — Clare E Heflin

(74) *Attorney, Agent, or Firm* — QuickPatents, Inc.; Kevin Prince

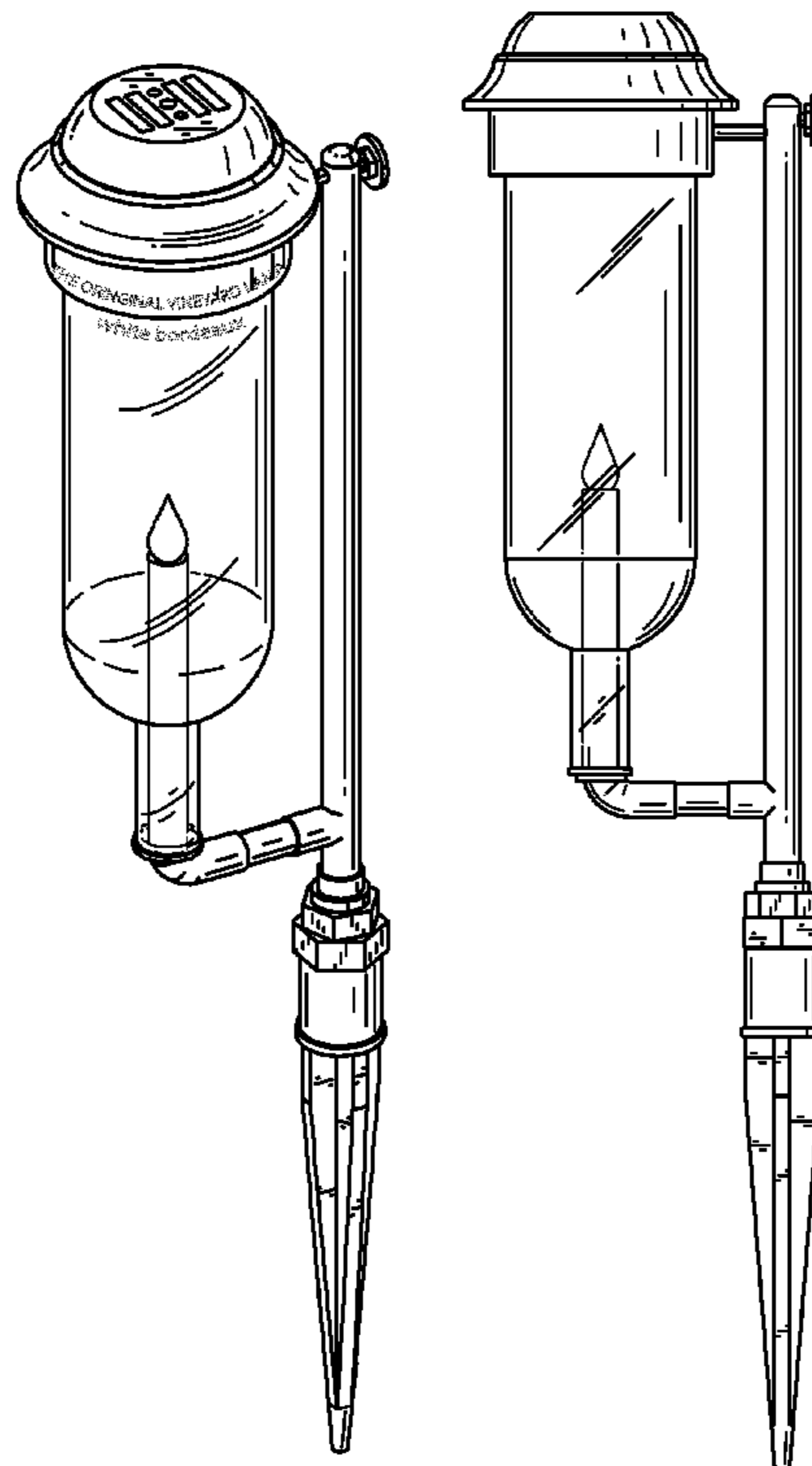
(57) **CLAIM**

I claim the ornamental design for an outdoor light, as shown and described.

DESCRIPTION

FIG. 1 is a perspective view of an outdoor light, showing my new design;
FIG. 2 is a rear elevational view thereof;
FIG. 3 is a front elevational view thereof;
FIG. 4 is a left-side elevational view thereof, the right-side elevational view being a mirror image thereof;
FIG. 5 is a top plan view thereof; and,
FIG. 6 is a bottom plan view thereof.
The broken lines showing text in FIG. 1 depict environmental matter and form no part of the claimed design.

1 Claim, 3 Drawing Sheets



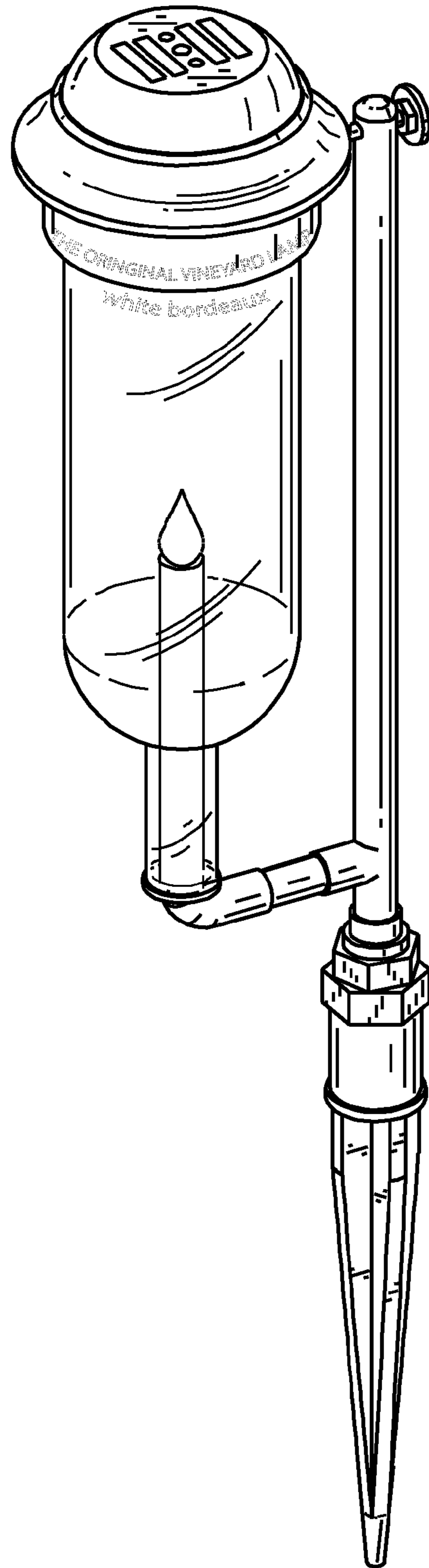


FIG. 1

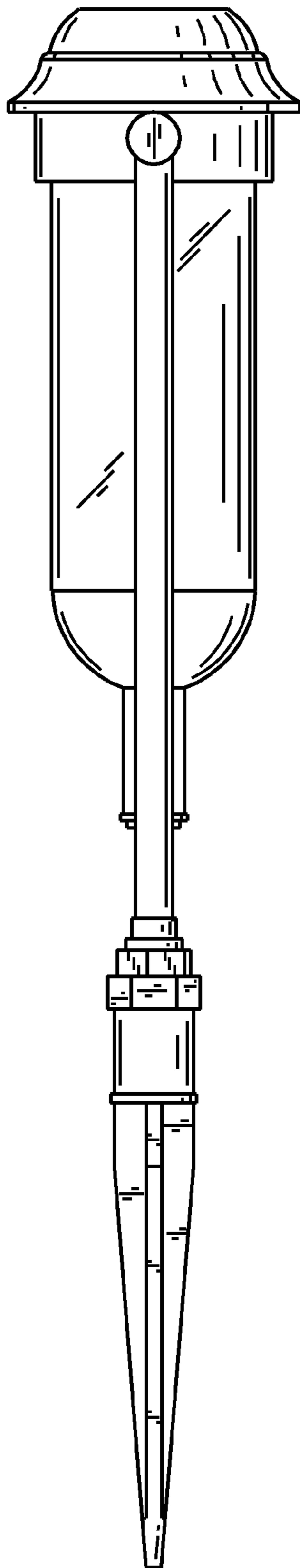


FIG. 2

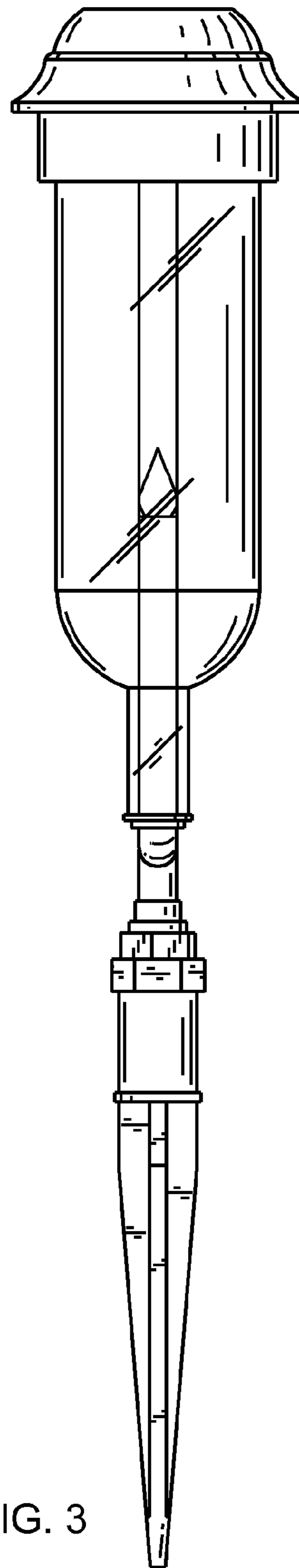


FIG. 3

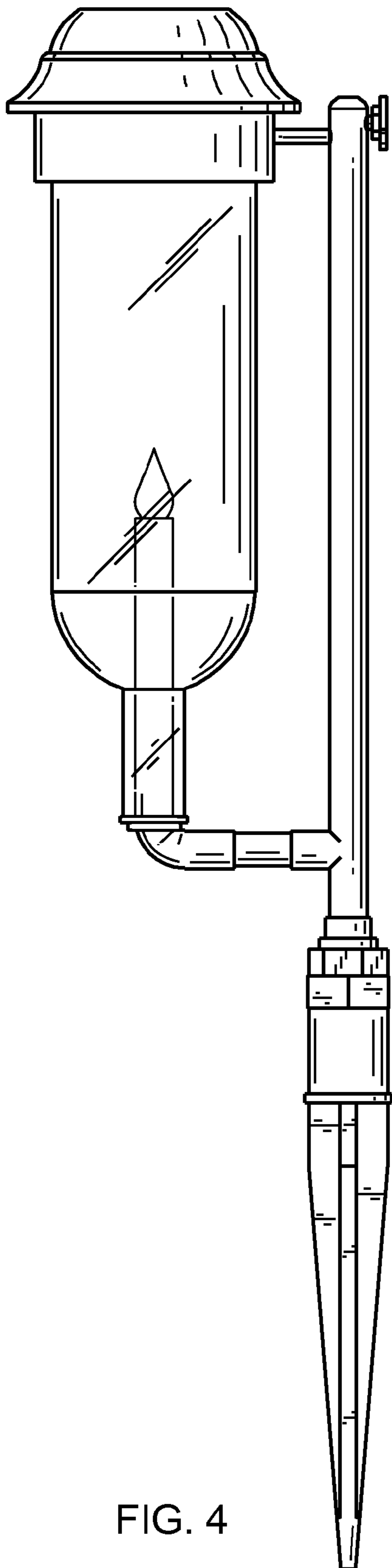


FIG. 4

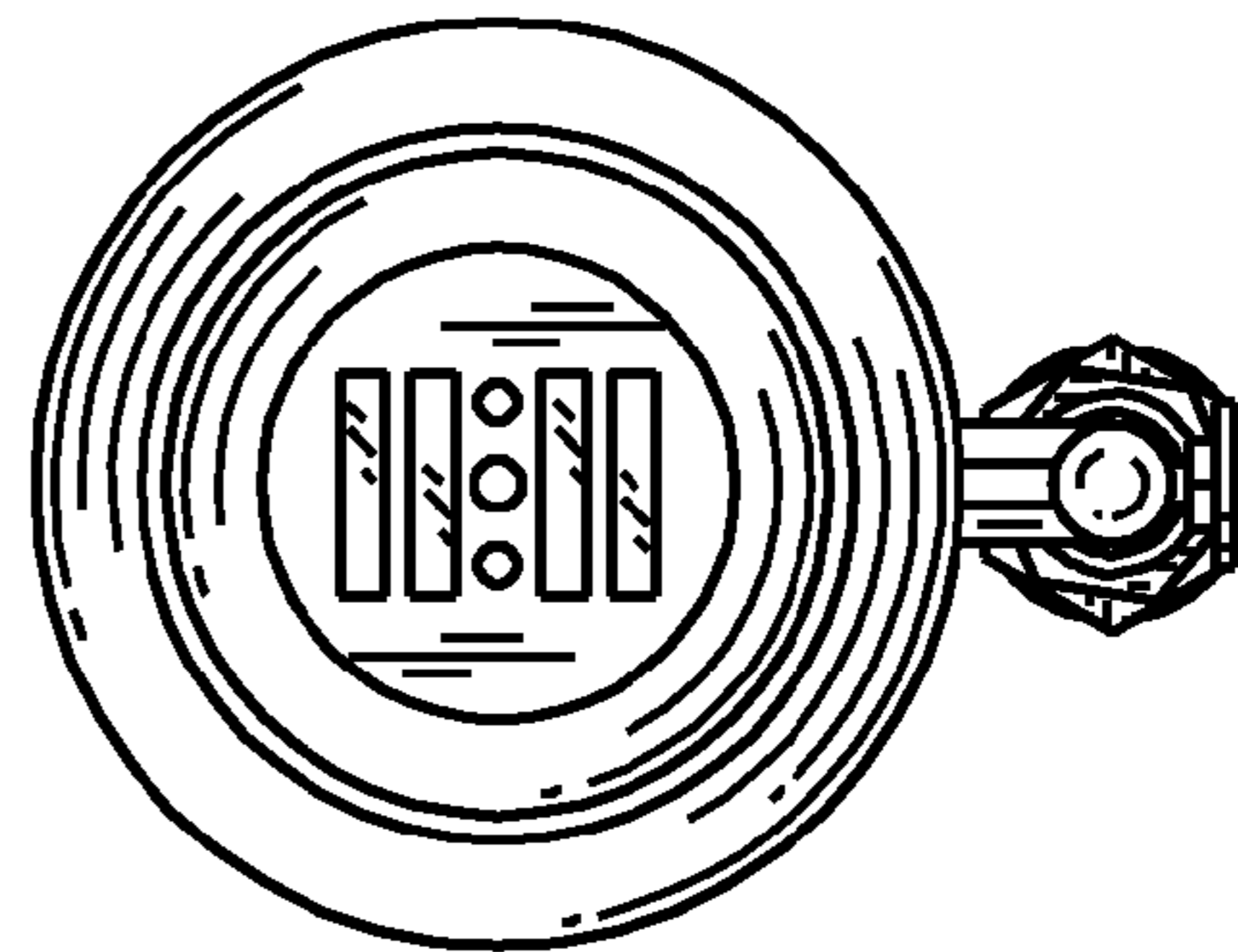


FIG. 5

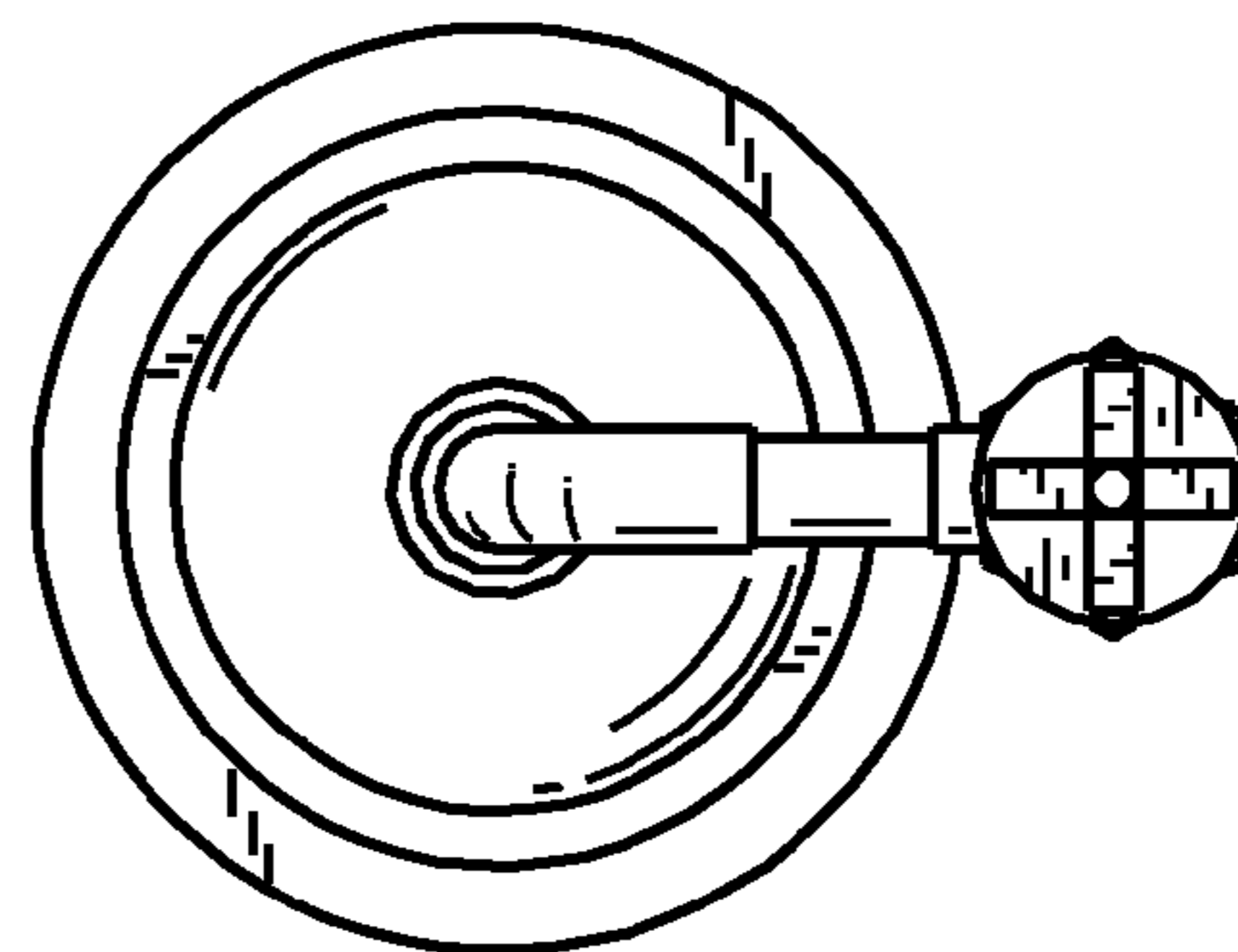


FIG. 6