



US00D655027S

(12) **United States Design Patent**
Milz et al.

(10) **Patent No.:** **US D655,027 S**

(45) **Date of Patent:** **** Feb. 28, 2012**

(54) **FLASHLIGHT**

(75) Inventors: **Erik Milz**, Superior, CO (US); **Scott Cardwell**, Erie, CO (US)

(73) Assignee: **TerraLUX, Inc.**, Longmont, CO (US)

(**) Term: **14 Years**

(21) Appl. No.: **29/398,227**

(22) Filed: **Jul. 28, 2011**

(51) **LOC (9) Cl.** **26-02**

(52) **U.S. Cl.** **D26/49**

(58) **Field of Classification Search** D26/37,
D26/39, 46, 49, 38; 362/157, 158, 202–208,
362/194–196

See application file for complete search history.

(56) **References Cited**

U.S. PATENT DOCUMENTS

D368,786 S *	4/1996	Van Cort	D26/49
D496,115 S *	9/2004	Lin	D26/49
D548,863 S *	8/2007	Shiu	D26/37
D577,844 S *	9/2008	Shiu	D26/49
D578,236 S *	10/2008	Dalton	D26/49
D598,150 S *	8/2009	Bertken	D26/38

D601,737 S *	10/2009	Swan	D26/49
D622,428 S *	8/2010	Crawford et al.	D26/37
D625,860 S *	10/2010	Bertken	D26/37
D626,671 S *	11/2010	Bertken	D26/37
D647,654 S *	10/2011	Li	D26/49
D648,467 S *	11/2011	Nguyen et al.	D26/46
D649,275 S *	11/2011	Crawford et al.	D26/49

* cited by examiner

Primary Examiner — Ian Simmons

Assistant Examiner — Carissa C Fitts

(74) *Attorney, Agent, or Firm* — Bingham McCutchen LLP

(57) **CLAIM**

The ornamental design for a flashlight, substantially as shown.

DESCRIPTION

FIG. 1 is a perspective view of a flashlight incorporating the design;

FIG. 2 is a right-side elevation view thereof;

FIG. 3 is a left-side elevation view thereof;

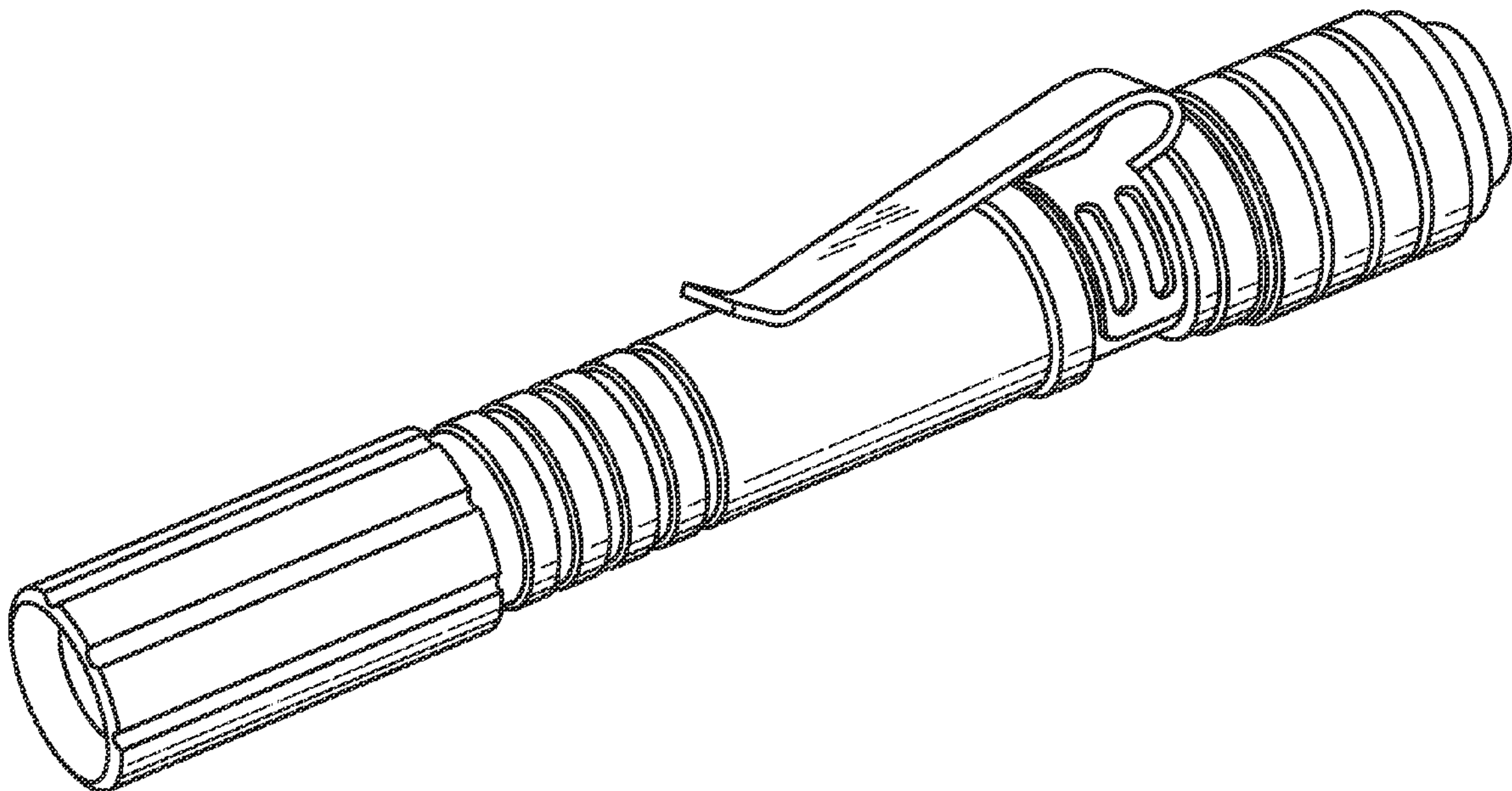
FIG. 4 is a bottom view thereof;

FIG. 5 is a top view thereof;

FIG. 6 is a back view thereof; and,

FIG. 7 is a front view thereof.

1 Claim, 4 Drawing Sheets



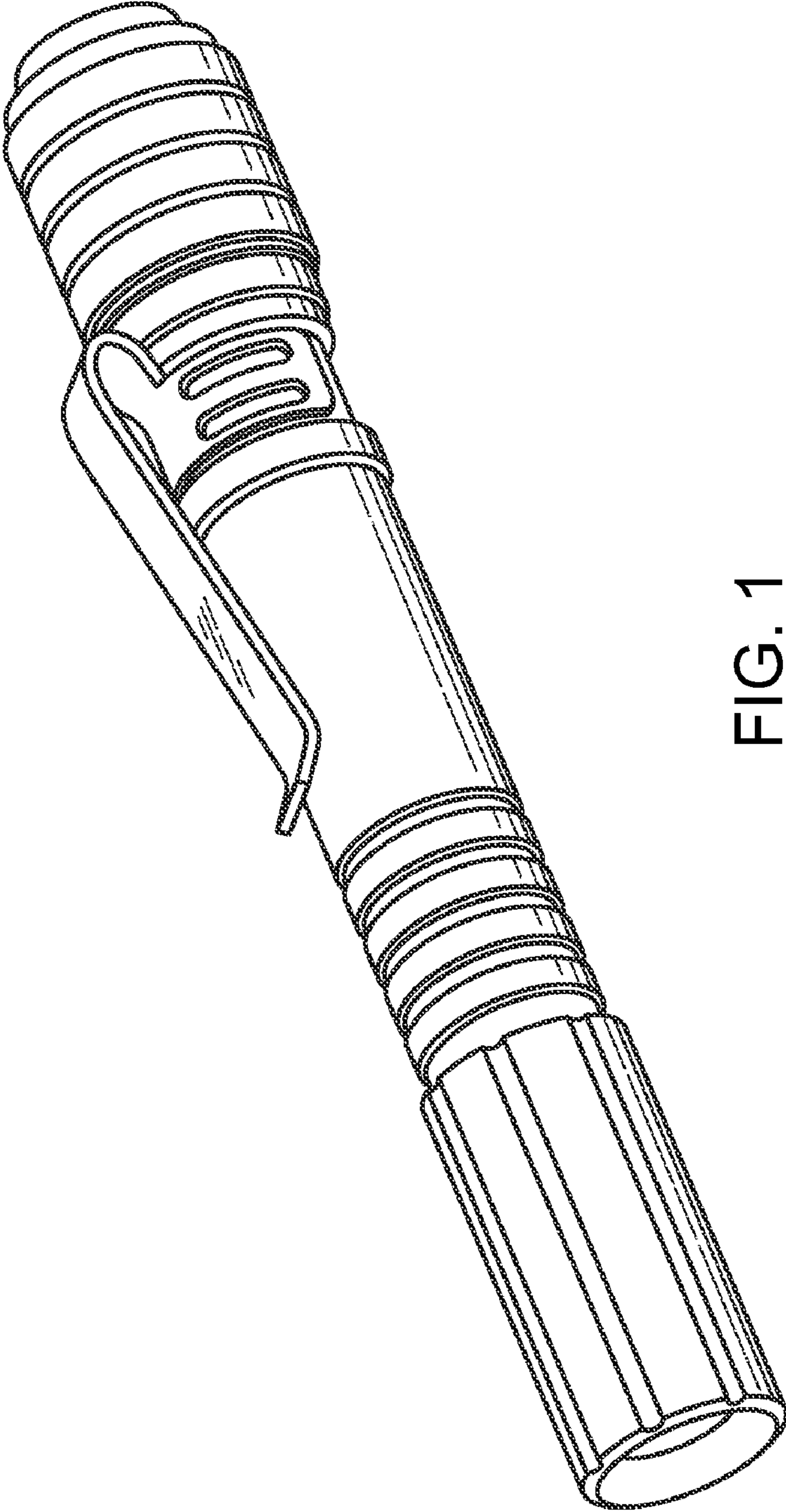


FIG. 1

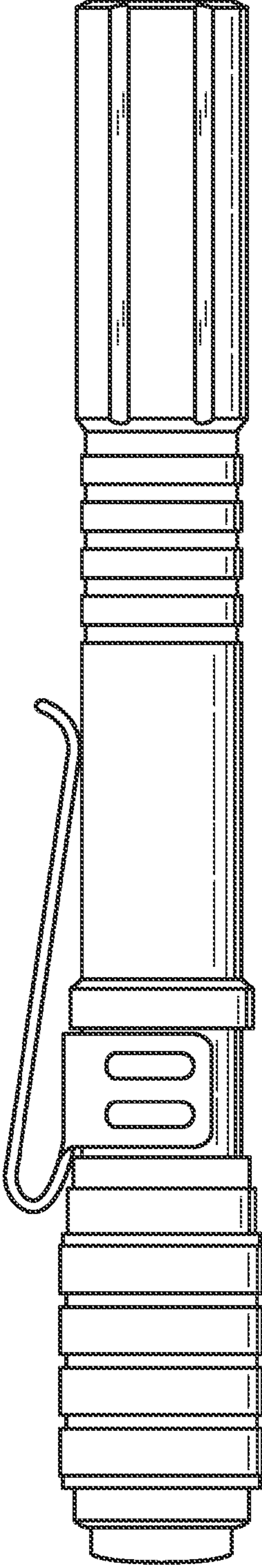


FIG. 2

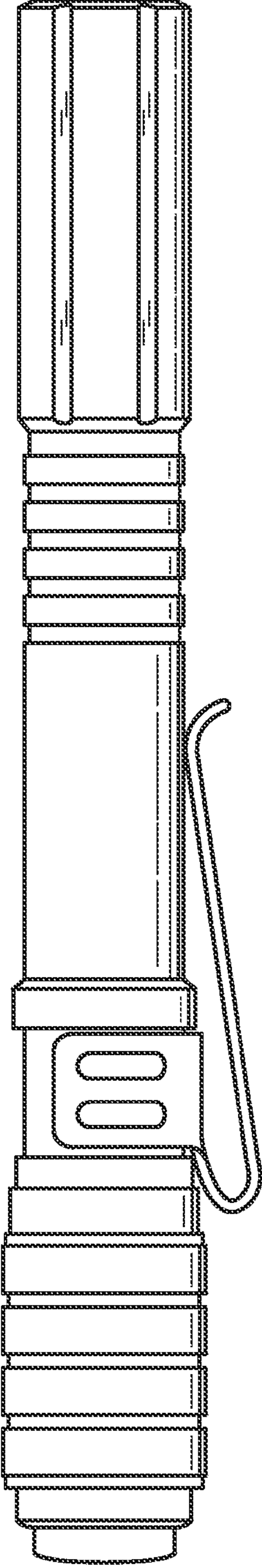


FIG. 3

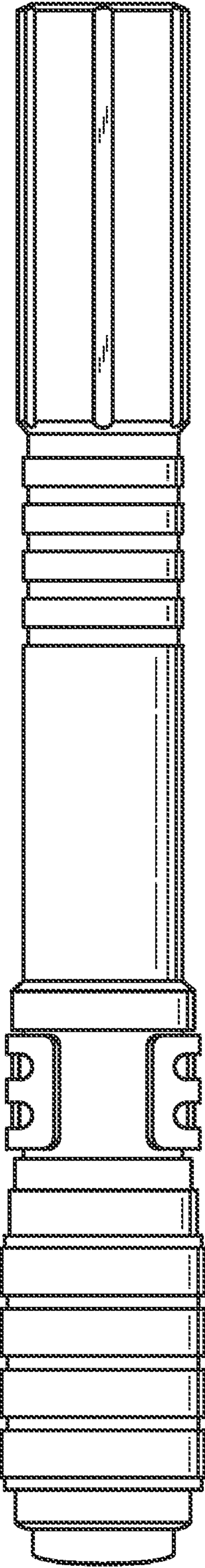


FIG. 4

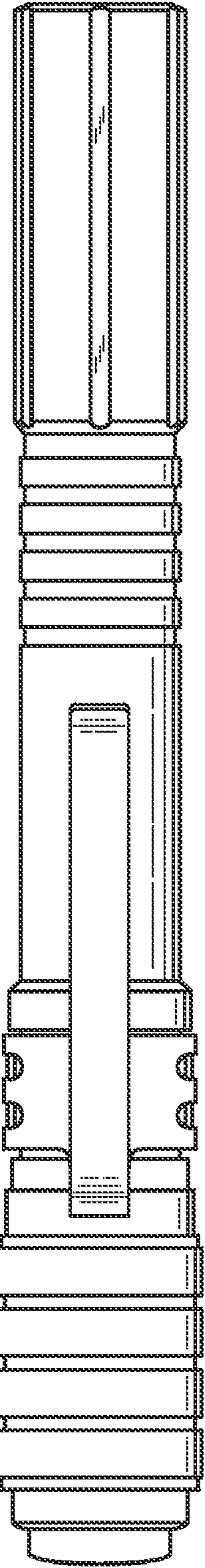


FIG. 5

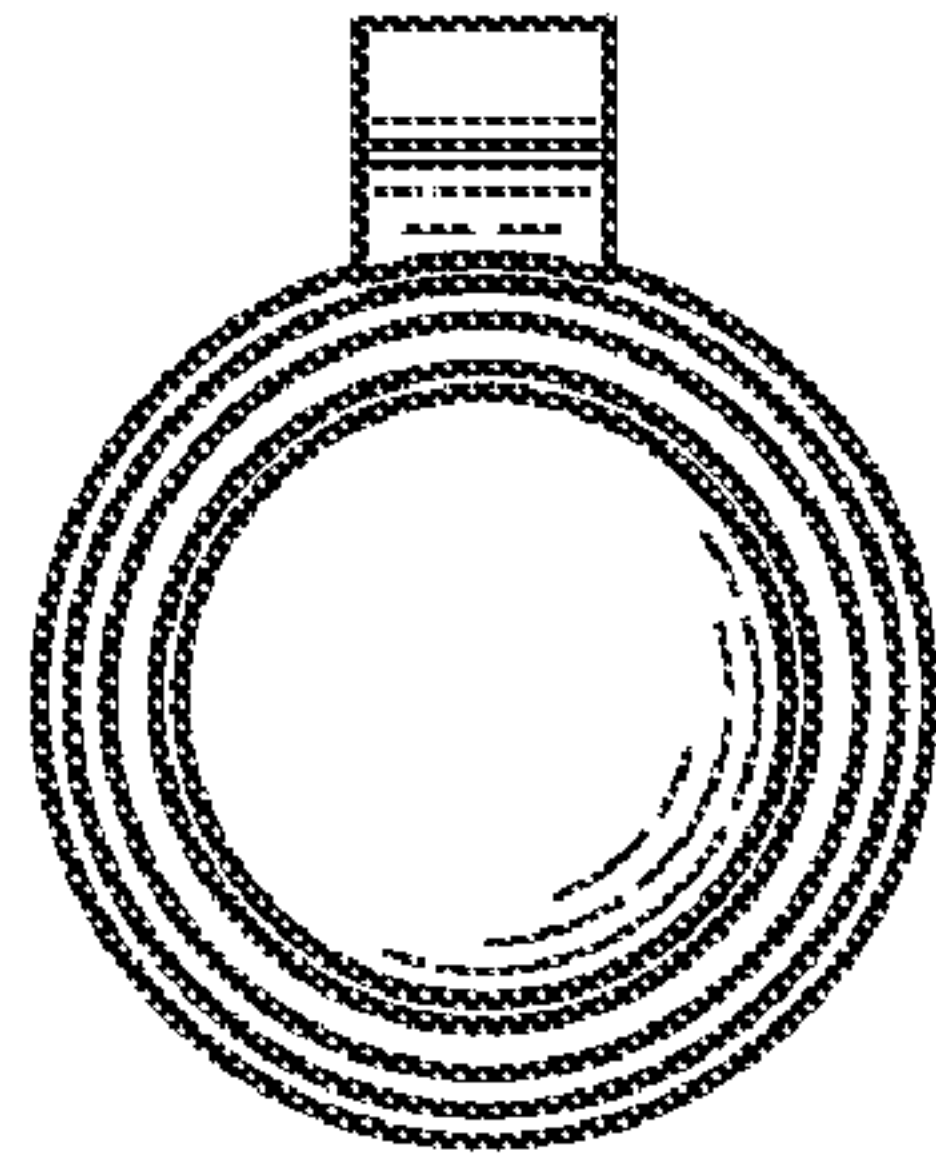


FIG. 6

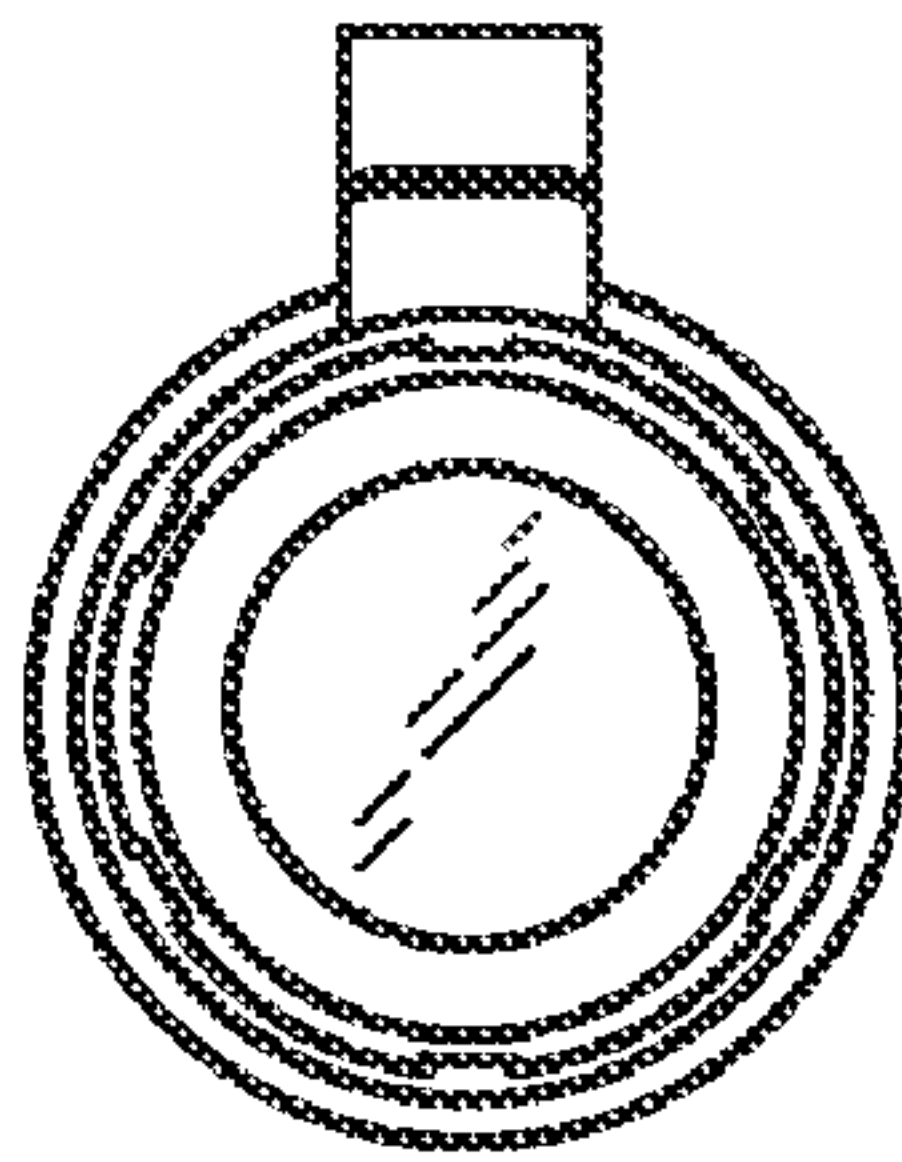


FIG. 7