



US00D655025S

(12) **United States Design Patent**
Diekmann et al.

(10) **Patent No.:** **US D655,025 S**
(45) **Date of Patent:** **** Feb. 28, 2012**

(54) **FLUORESCENT LAMP**

(75) Inventors: **Ruediger Diekmann**, Dillingen (DE);
Andreas Engel, Schwabmuenchen (DE);
Klaus Lemdche, Grossaitingen (DE);
Bernd Pilhoefer, Graben (DE);
Reinhold Schmidt, Augsburg (DE)

(73) Assignee: **Osram AG**, Munich (DE)

(**) Term: **14 Years**

(21) Appl. No.: **29/376,507**

(22) Filed: **Oct. 8, 2010**

(30) **Foreign Application Priority Data**

Apr. 9, 2010 (EM) 001692476

(51) **LOC (9) Cl.** **26-04**

(52) **U.S. Cl.** **D26/3**

(58) **Field of Classification Search** D26/1-4;
313/313, 315, 316, 317, 318, 493; 315/52,
315/53, 56, 57, 58

See application file for complete search history.

(56) **References Cited**

U.S. PATENT DOCUMENTS

4,569,004 A 2/1986 Peterson
5,564,818 A 10/1996 Grossman et al.
6,454,431 B1 9/2002 Grossman et al.
D506,274 S * 6/2005 Moriyama et al. D26/3
7,045,946 B2 5/2006 Kawase et al.
D574,093 S * 7/2008 Kitagawa et al. D26/3
D576,749 S * 9/2008 Kitagawa et al. D26/3

D597,686 S 8/2009 Noh
D621,975 S * 8/2010 Wang D26/3
2004/0135489 A1 7/2004 Kawase et al.

FOREIGN PATENT DOCUMENTS

DE 102004003871 B3 8/2005
EP 1602876 A1 12/2005
EP 2026377 A2 2/2009
EP 2028680 A2 2/2009
JP 1081159 A 3/1989
WO 9814730 A2 4/1998
WO 2007111464 A1 10/2007

OTHER PUBLICATIONS

<http://www.feelux.com> (Seamless T5 Dimmable Illumination—
Dimmable SlimLine), pp. 1-4.
DimSlimLine—T5 Dimmable Seamless lighting fixture, pp. 1-2.
English language abstract of DE 10 2004 003 871.
English language abstract of JP 1081159.

* cited by examiner

Primary Examiner — Marcus Jackson

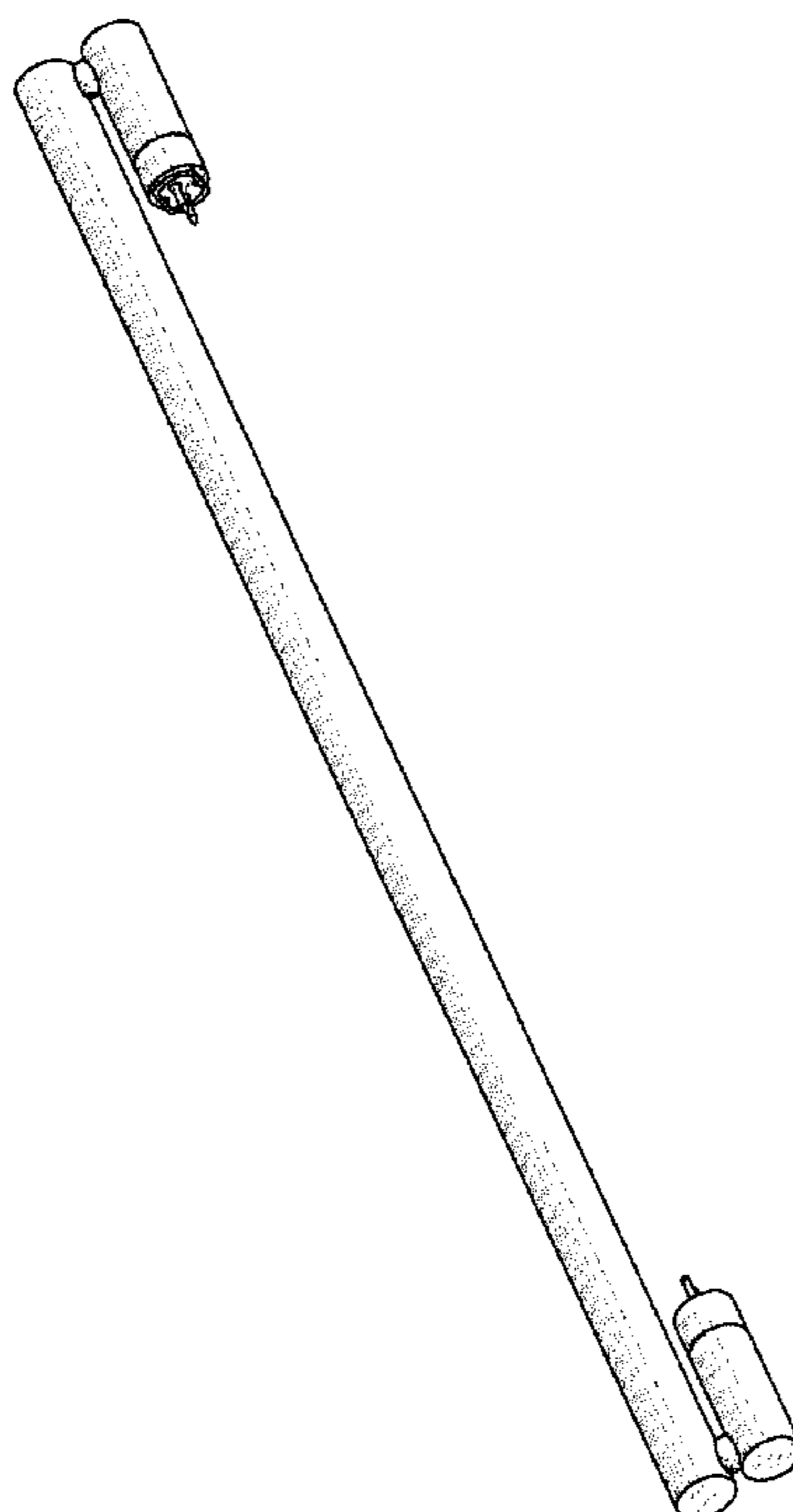
(57) **CLAIM**

The ornamental design for a fluorescent lamp, as shown and described.

DESCRIPTION

FIG. 1 is a perspective view of the fluorescent lamp
FIG. 2 is a front or back side view of the fluorescent lamp
FIG. 3 is a right or left side view of the fluorescent lamp
FIG. 4 is a bottom view of the fluorescent lamp
FIG. 5 is a top view of the fluorescent lamp; and,
FIG. 6 is an enlarged perspective view thereof, with a portion
broken away for ease of illustration.

1 Claim, 6 Drawing Sheets



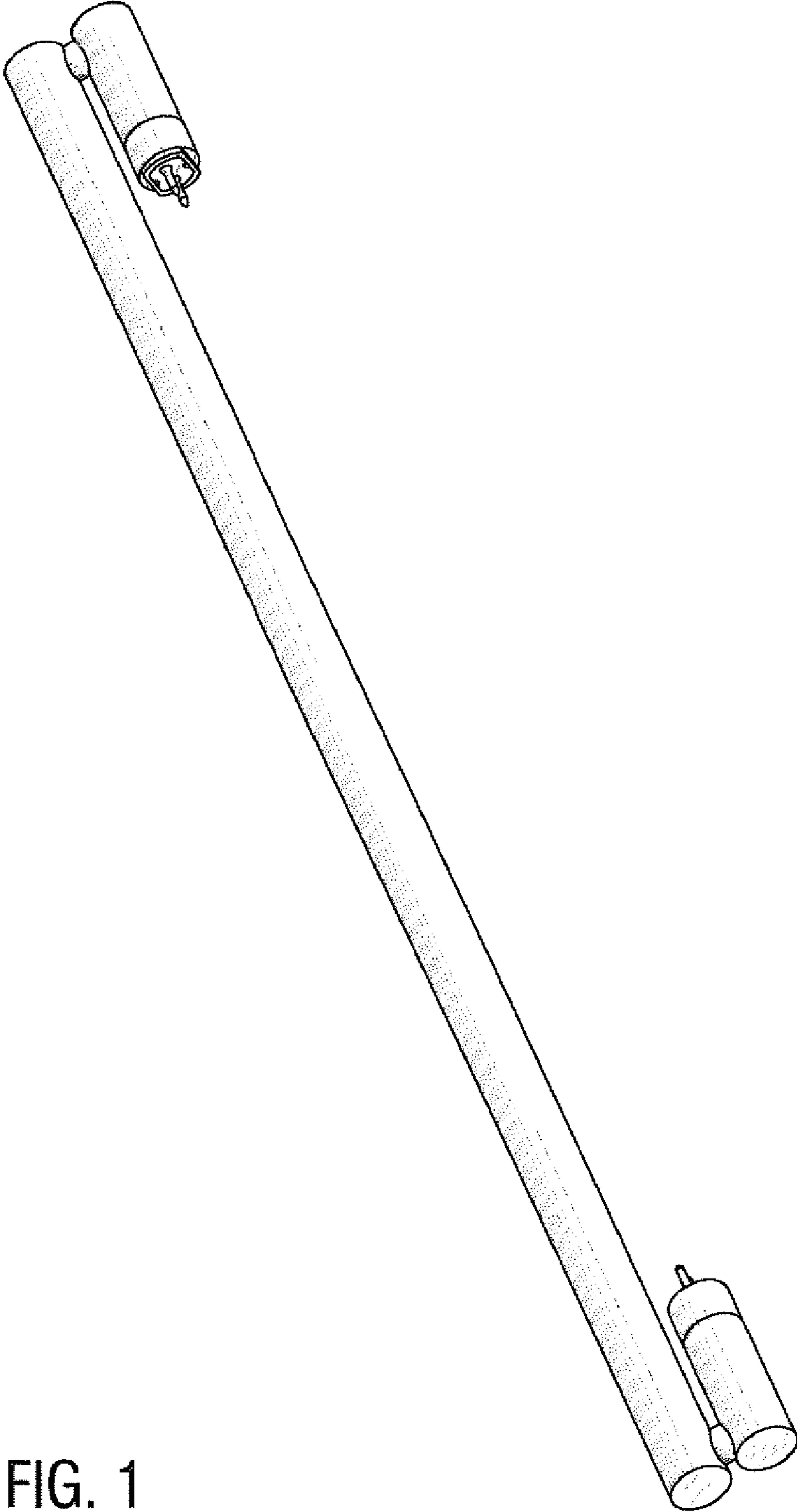


FIG. 1

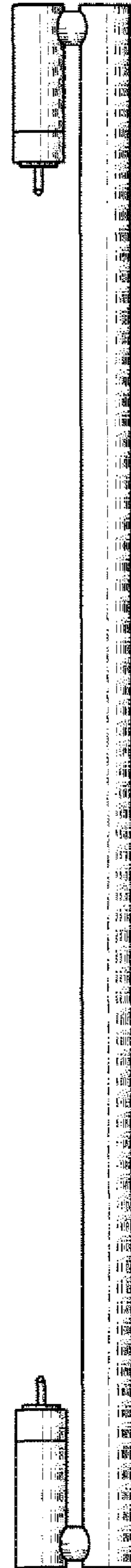


FIG. 2



FIG. 3



FIG. 4

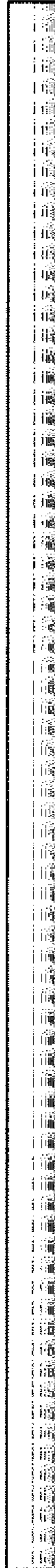


FIG. 5

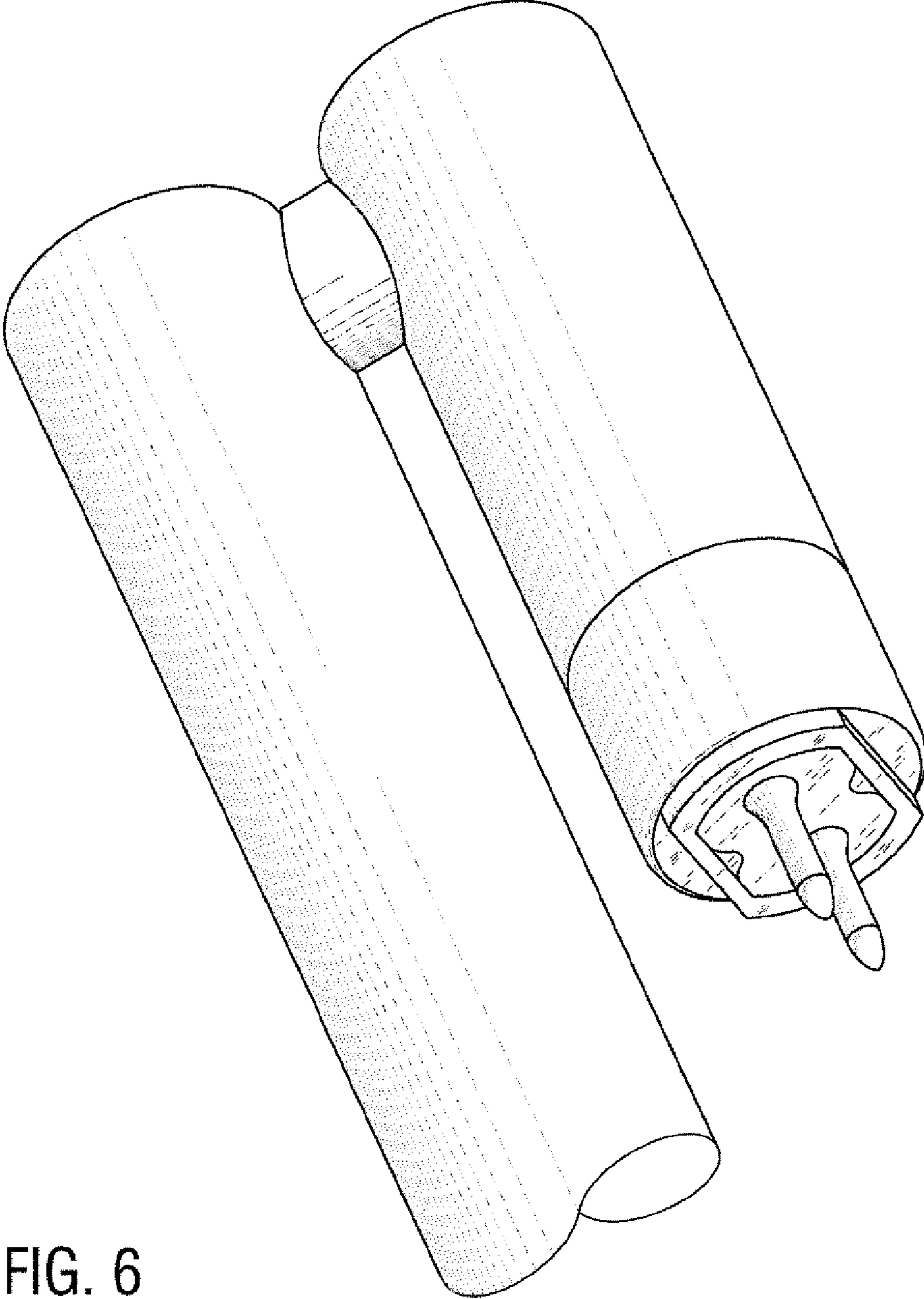


FIG. 6