



US00D655021S

(12) **United States Design Patent**
Oetlinger

(10) **Patent No.:** **US D655,021 S**

(45) **Date of Patent:** **** Feb. 28, 2012**

(54) **FRAME MEMBER**

(75) Inventor: **Frank E. Oetlinger**, Grafton, WI (US)

(73) Assignee: **Blanking Systems, Inc.**, Grafton, WI (US)

(**) Term: **14 Years**

(21) Appl. No.: **29/355,094**

(22) Filed: **Feb. 2, 2010**

(51) **LOC (9) Cl.** **25-01**

(52) **U.S. Cl.** **D25/119**

(58) **Field of Classification Search** D25/61,
D25/119; 403/205, 213; 15/53.1, 60, 268,
15/3.21; 52/271, 578, 36.5, 71, 243, 281,
52/591.1

See application file for complete search history.

(56) **References Cited**

U.S. PATENT DOCUMENTS

3,066,773	A *	12/1962	Raidel	52/282.3
3,456,413	A *	7/1969	Fischer	52/591.1
4,388,786	A *	6/1983	Gassler	52/282.2
5,570,971	A *	11/1996	Rixen et al.	403/381

5,622,012	A *	4/1997	Schijf	52/71
5,864,998	A	2/1999	Loomer		
D471,083	S *	3/2003	Wall	D8/382
6,679,016	B2 *	1/2004	Liu	52/238.1
D489,828	S *	5/2004	Barnett	D25/119

* cited by examiner

Primary Examiner — Doris Clark

(74) *Attorney, Agent, or Firm* — Boyle Fredrickson, S.C.

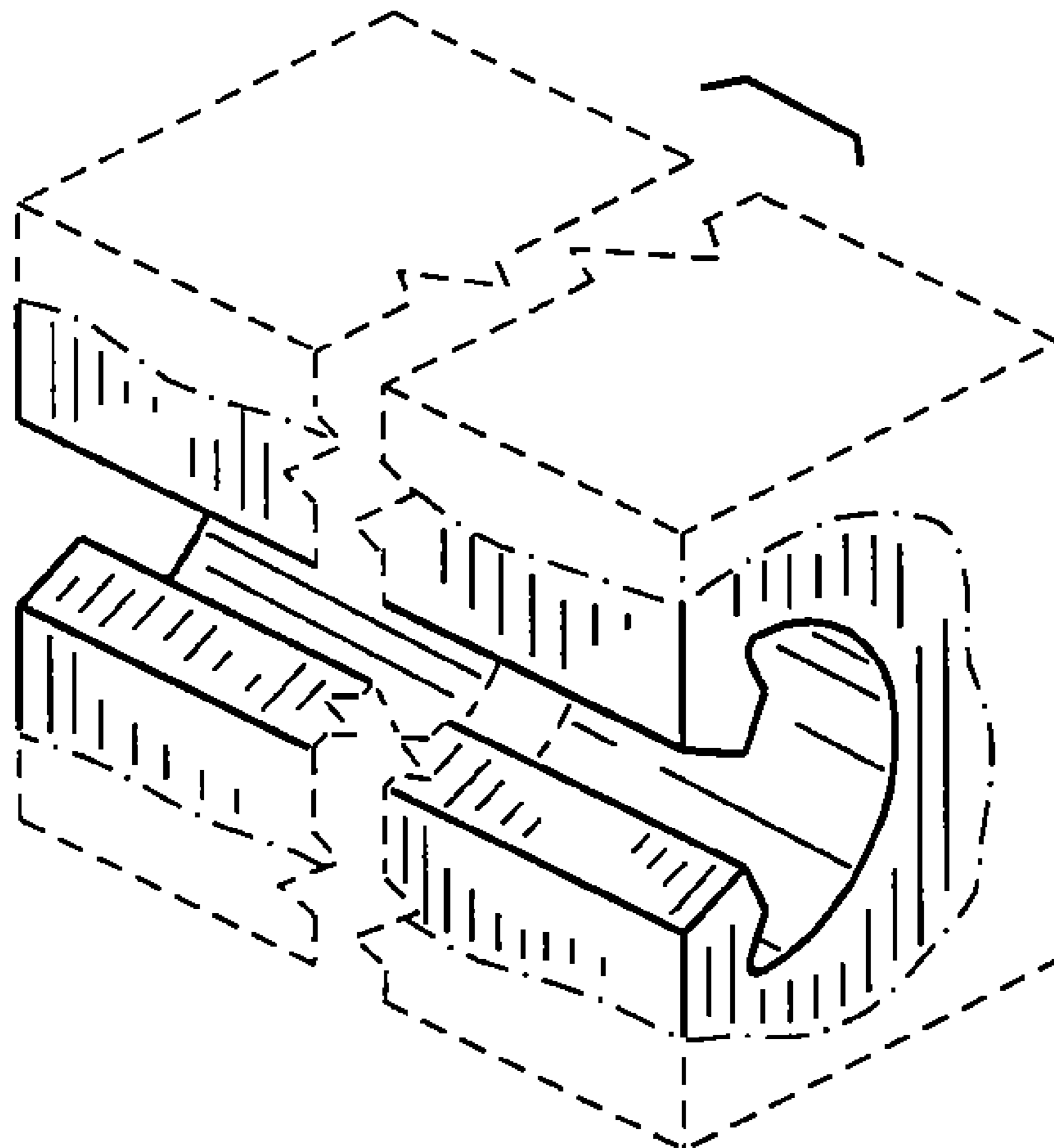
(57) **CLAIM**

The ornamental design for a frame member, as shown and described.

DESCRIPTION

FIG. 1 is an isometric view of a frame member in accordance with the present invention;
FIG. 2 is an end view of the frame member of FIG. 1;
FIG. 3 is a front elevational view of the frame member of FIG. 1;
FIG. 4 is a top plan view of the frame member of FIG. 1; and,
FIG. 5 is rear elevational view of the frame member of FIG. 1.
The broken lines are for illustrative purposes only and form no part of the claimed design.

1 Claim, 2 Drawing Sheets



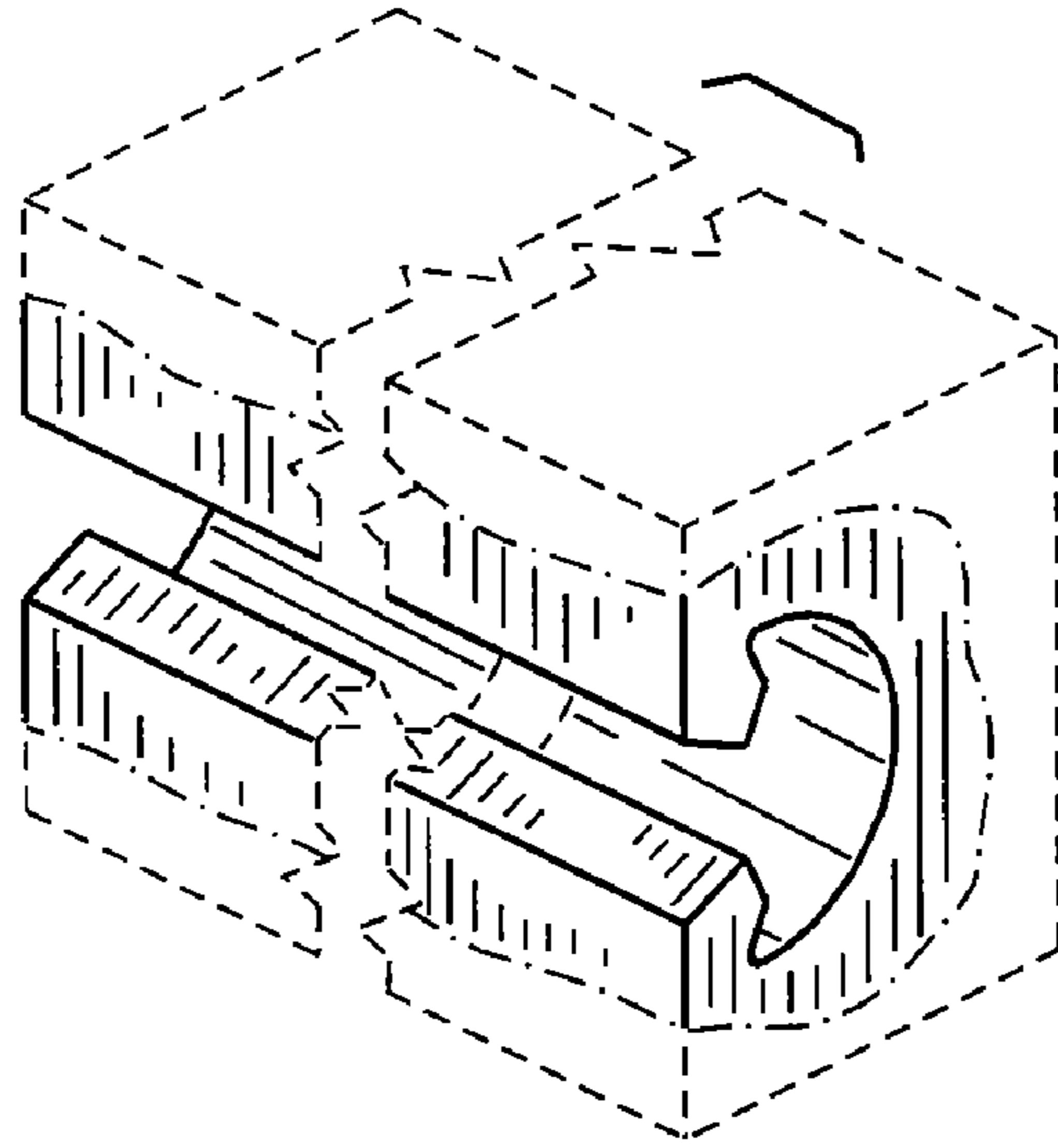


FIG. 1

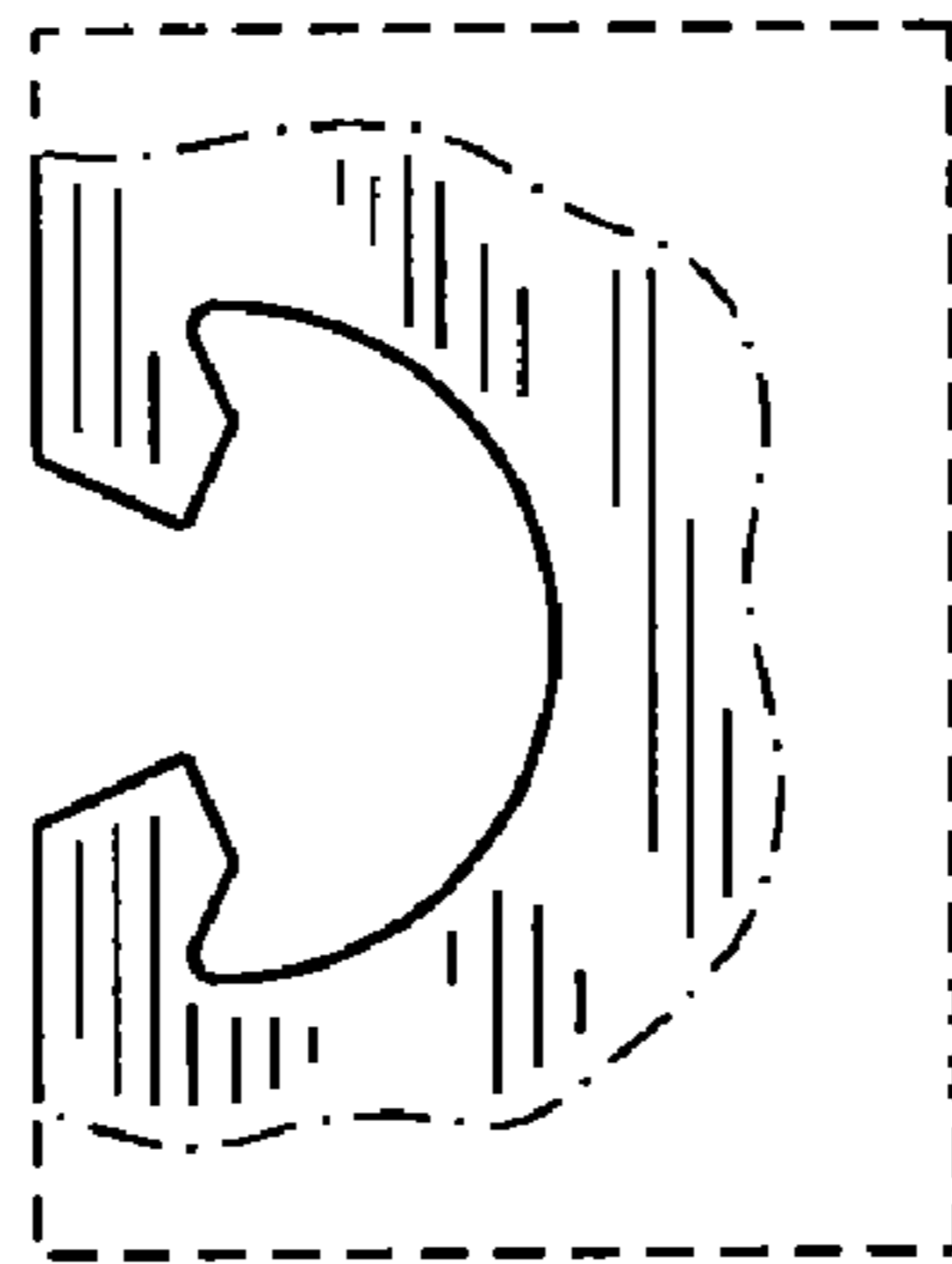


FIG. 2

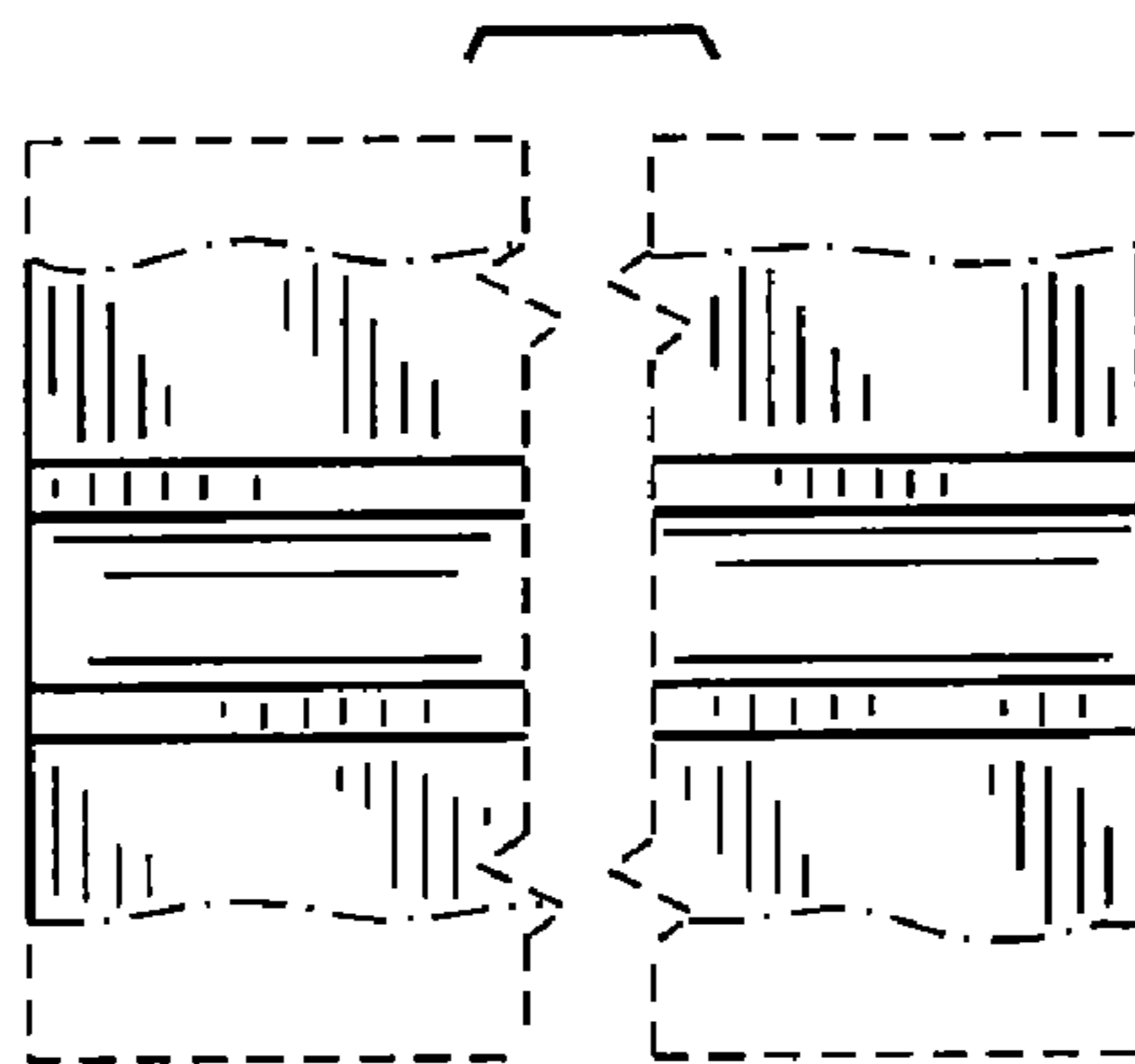


FIG. 3

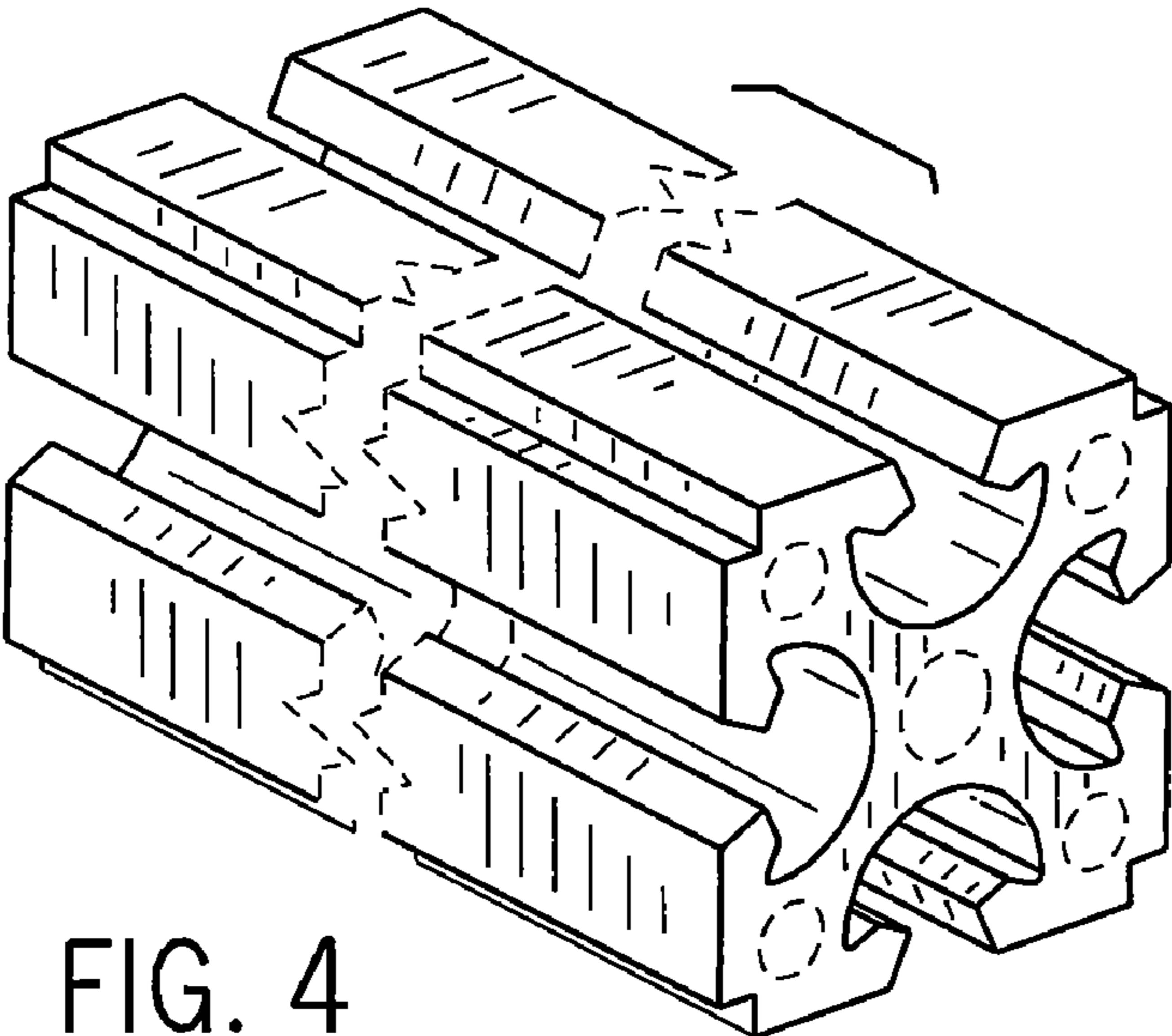


FIG. 4

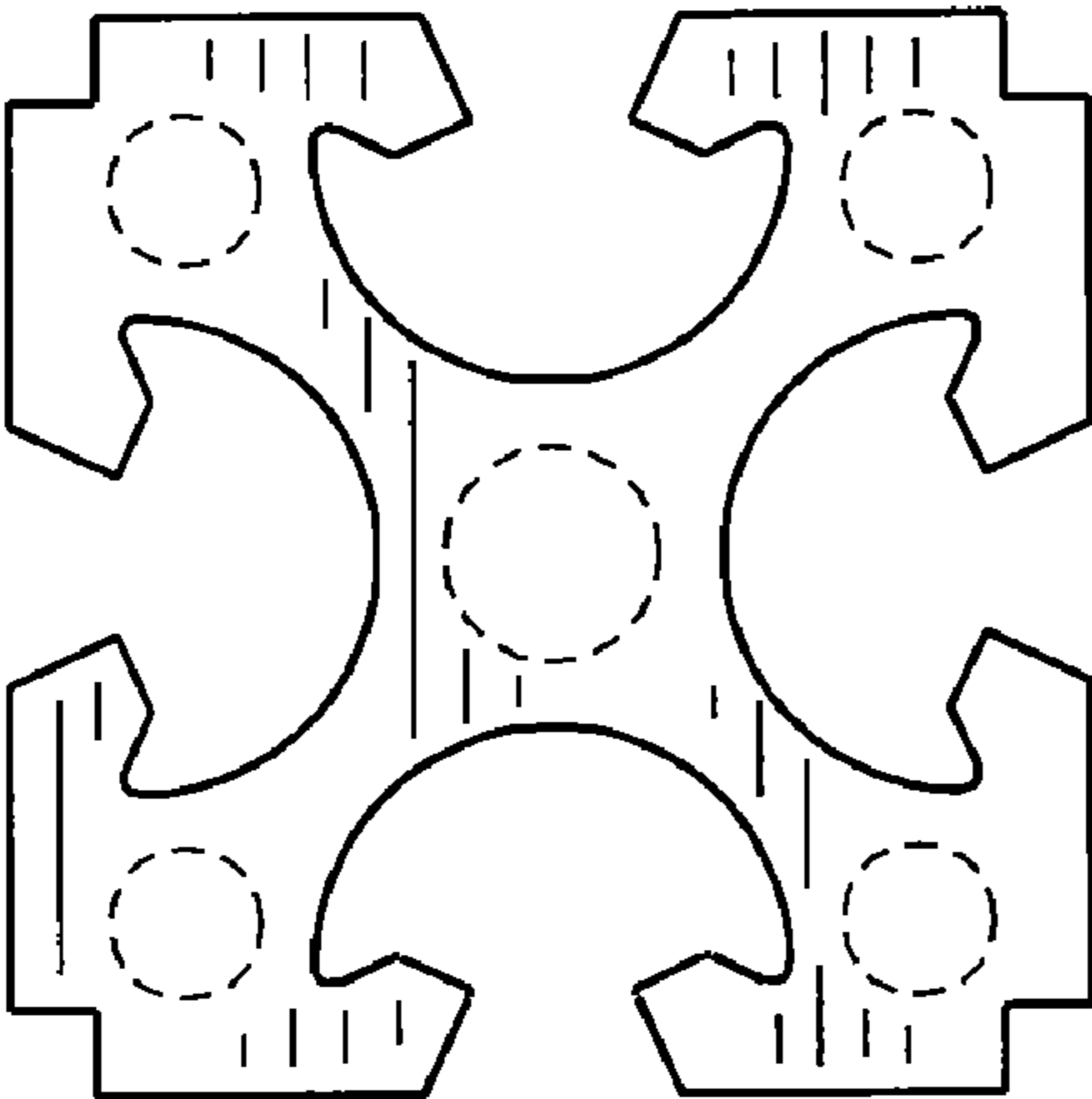


FIG. 5