



US00D655019S

(12) **United States Design Patent**
Colless et al.

(10) **Patent No.:** **US D655,019 S**
(45) **Date of Patent:** **** Feb. 28, 2012**

(54) **FODDER-GROWING ENCLOSURE**

DESCRIPTION

(76) Inventors: **Terry Colless**, Toowoomba South (AU);
Flavio Raccanello, Toowoomba South (AU)

(**) Term: **14 Years**

(21) Appl. No.: **29/383,821**

(22) Filed: **Jan. 21, 2011**

(51) **LOC (9) Cl.** **25-03**

(52) **U.S. Cl.** **D25/15**

(58) **Field of Classification Search** D25/1,
D25/4-9, 12-15, 18, 33; 52/64, 66, 69, 71,
52/79.1, 79.4, 86, 144-145

See application file for complete search history.

(56) **References Cited**

U.S. PATENT DOCUMENTS

D220,945	S *	6/1971	Hughes	D25/18
3,752,349	A *	8/1973	Rana	220/6
5,107,639	A *	4/1992	Morin et al.	52/71
5,237,784	A *	8/1993	Ros	52/79.5
D339,870	S *	9/1993	Carlin	D25/33
5,706,614	A *	1/1998	Wiley et al.	52/79.1
5,761,854	A *	6/1998	Johnson et al.	52/69
D473,658	S *	4/2003	Adams	D25/33
D502,547	S *	3/2005	Hawes	D25/33
7,533,942	B2 *	5/2009	Kennedy et al.	299/12
D631,559	S *	1/2011	Gibson	D25/33
2007/0107321	A1 *	5/2007	Sarine et al.	52/71
2009/0223144	A1 *	9/2009	Leahy	52/79.1

* cited by examiner

Primary Examiner — T. Chase Nelson

Assistant Examiner — Kathleen M Sims

(74) *Attorney, Agent, or Firm* — QuickPatents, Inc.; Kevin Prince

(57) **CLAIM**

We claim the ornamental design for a fodder-growing enclosure, as shown and described.

FIG. 1 is a perspective view of a fodder-growing enclosure, showing our new design in a closed configuration;
 FIG. 2 is a reduced-size exploded perspective view thereof, illustrating an internal rack assembly that includes a plurality of racks supported by brackets of the design;
 FIG. 3 is a front elevational view of FIG. 1, the rear elevational view being a mirror image thereof;
 FIG. 4 is a cross-sectional view thereof, taken generally along lines 4-4 of FIG. 3;
 FIG. 5 is a top plan view of FIG. 1;
 FIG. 6 is a cross-sectional view thereof, the rack assembly omitted for clarity of depiction, taken generally along lines 6-6 of FIG. 5;
 FIG. 7 is a left-side elevational view of FIG. 1, the right-side elevational view being a mirror image thereof;
 FIG. 8 is a bottom plan view thereof;
 FIG. 9 is a left-side elevational view of the rack assembly and brackets of the fodder-growing enclosure, shown separately for clarity of depiction, the right-side elevational view being a mirror image thereof;
 FIG. 10 is a front elevational view of FIG. 9, the brackets omitted for clarity of depiction, the rear elevational view being a mirror image thereof;
 FIG. 11 is an enlarged perspective view of one of the racks, shown separately for clarity of depiction;
 FIG. 12 is an enlarged front elevational view of the bracket, shown separately for clarity of depiction, as taken along lines 12-12 of FIG. 6;
 FIG. 13 is a left-side elevational view of FIG. 12, the right-side elevational view being a mirror image thereof;
 FIG. 14 is a bottom plan view of FIG. 12;
 FIG. 15 is a rear elevational view of FIG. 12;
 FIG. 16 is a top plan view of FIG. 12; and,
 FIG. 17 is a rear exploded perspective view thereof, the rack assembly and rear doors omitted for clarity of depiction. The broken lines depict elements forming no part of the claimed design.

1 Claim, 13 Drawing Sheets

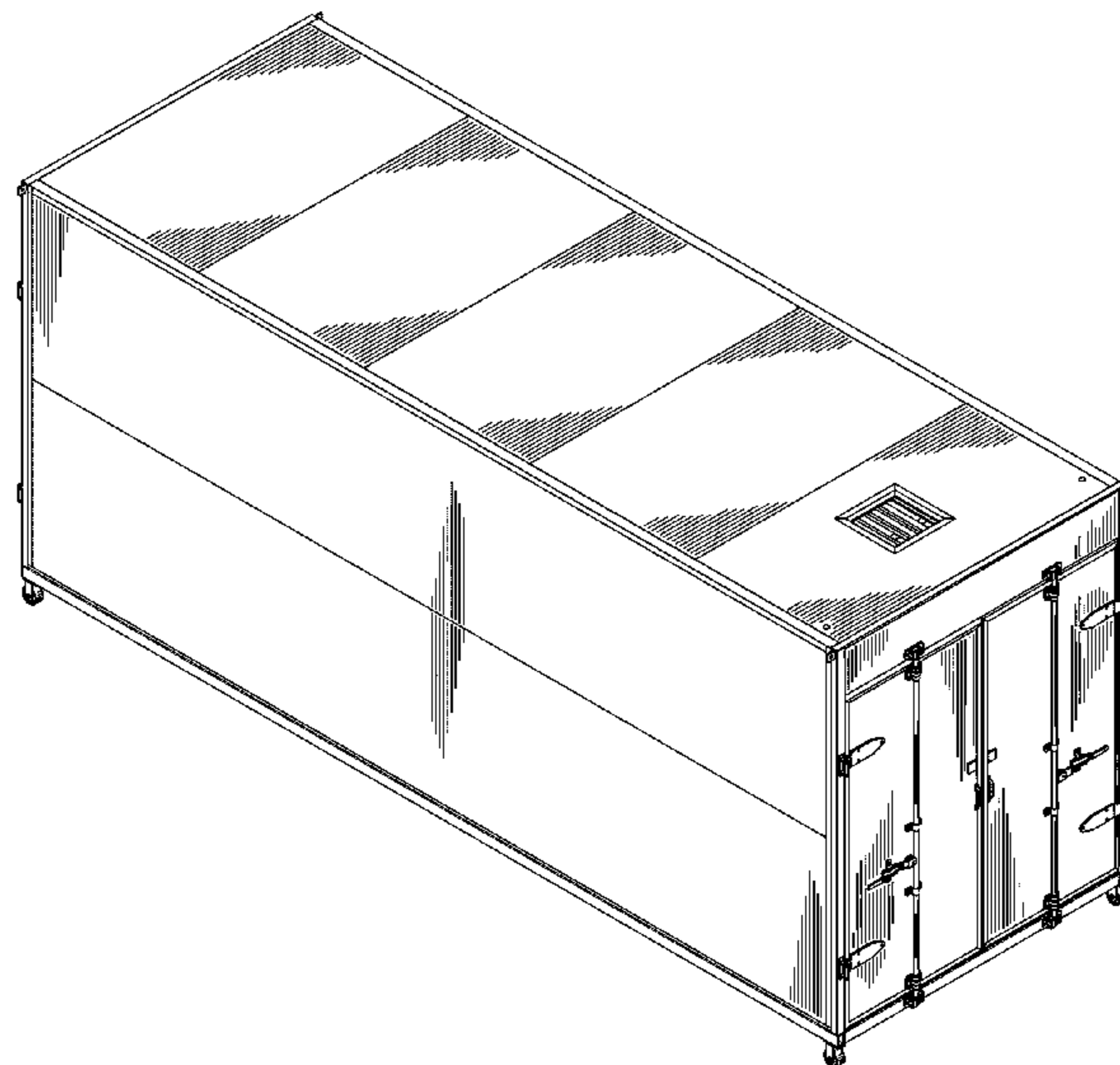




FIG. 1

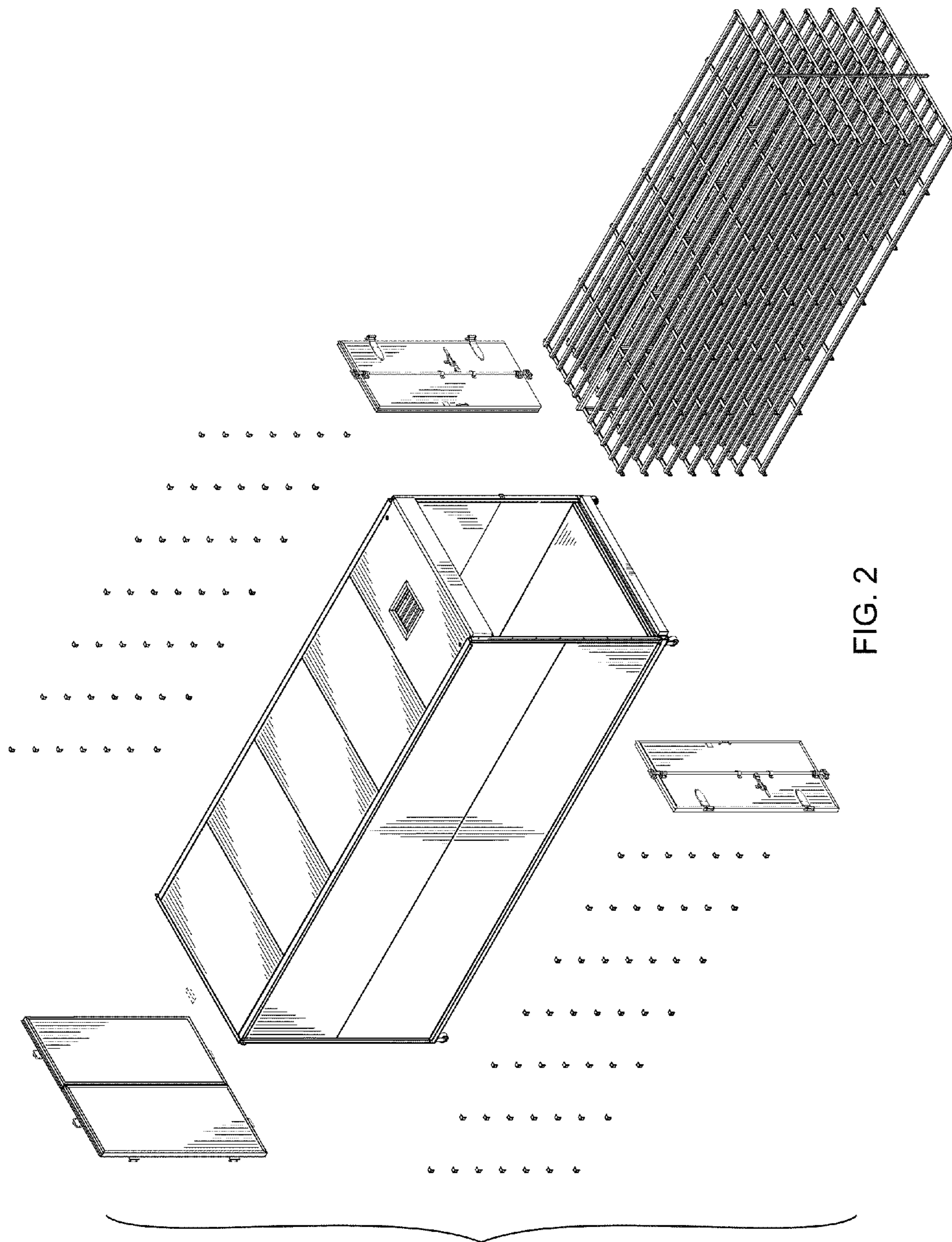


FIG. 2

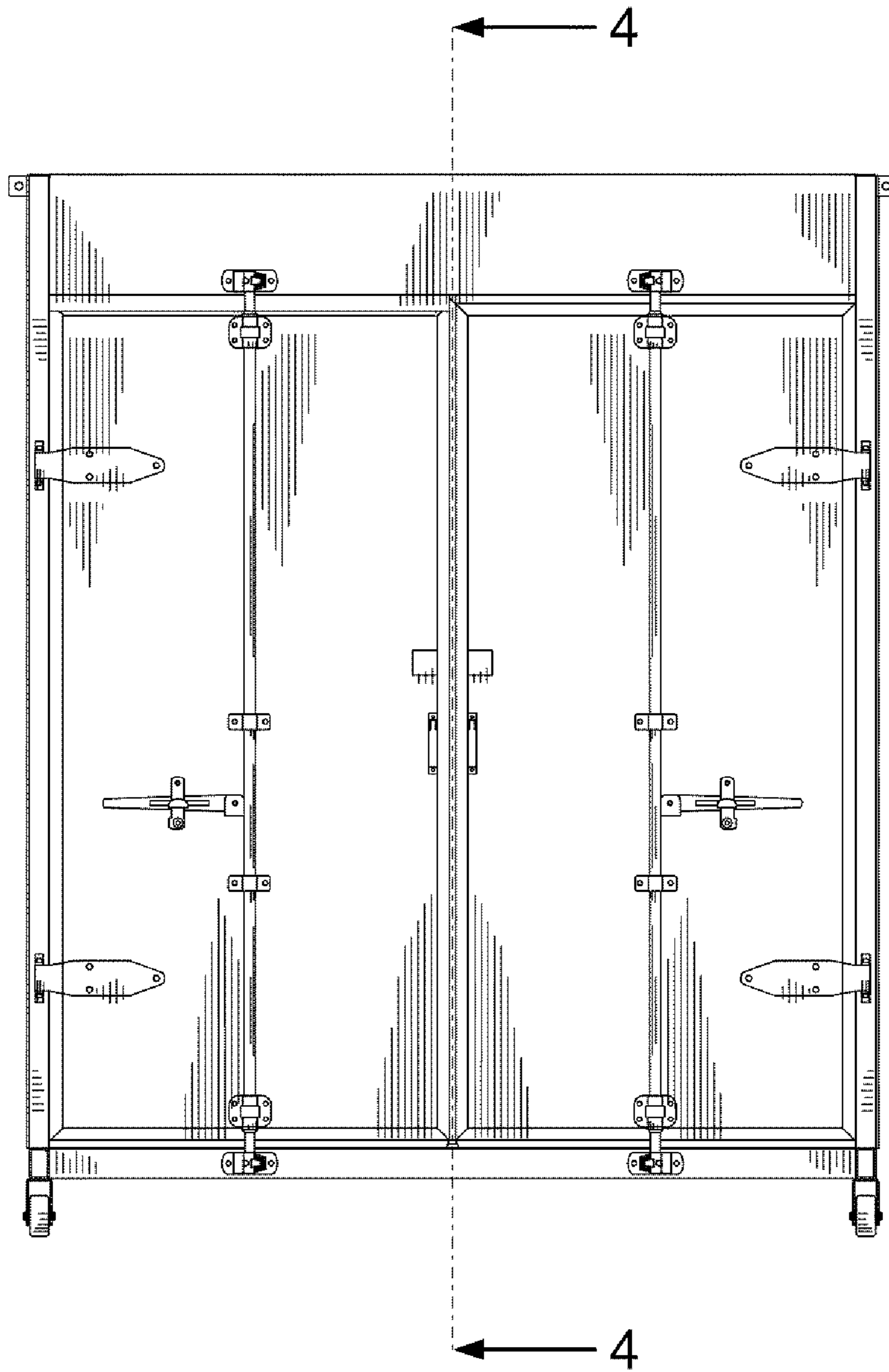


FIG. 3

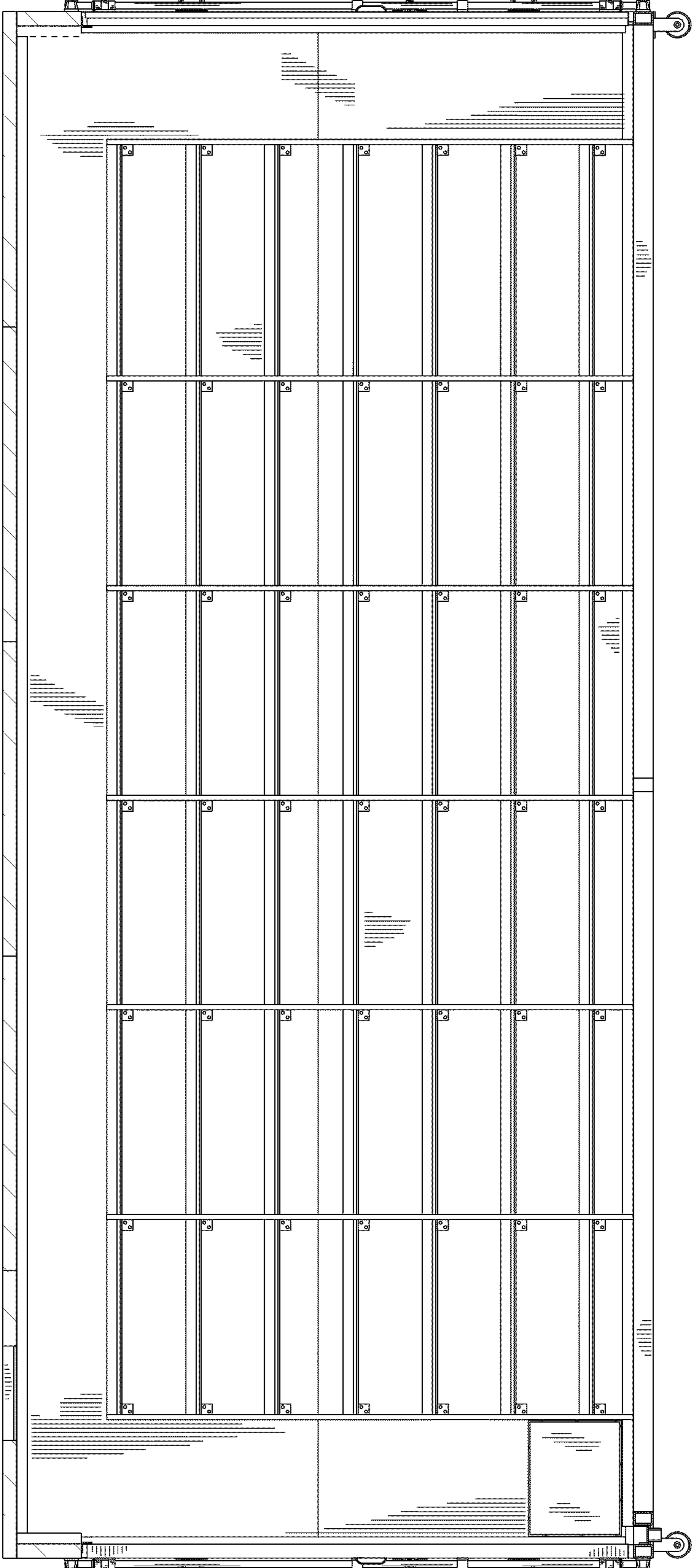


FIG. 4

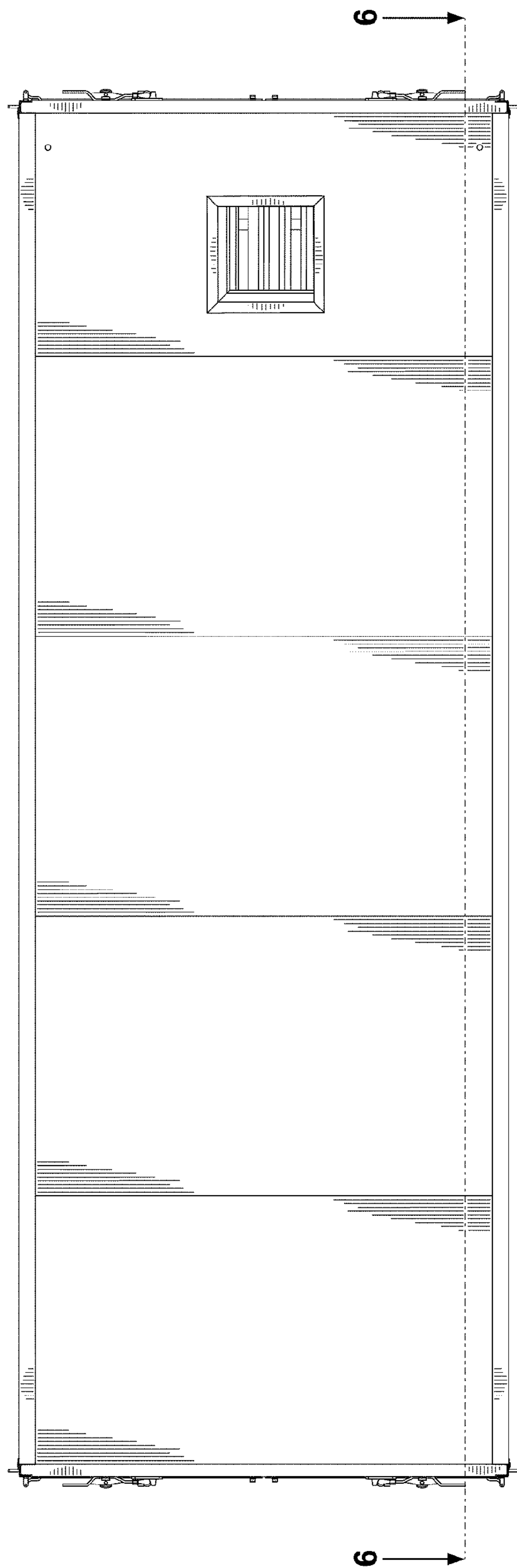


FIG. 5

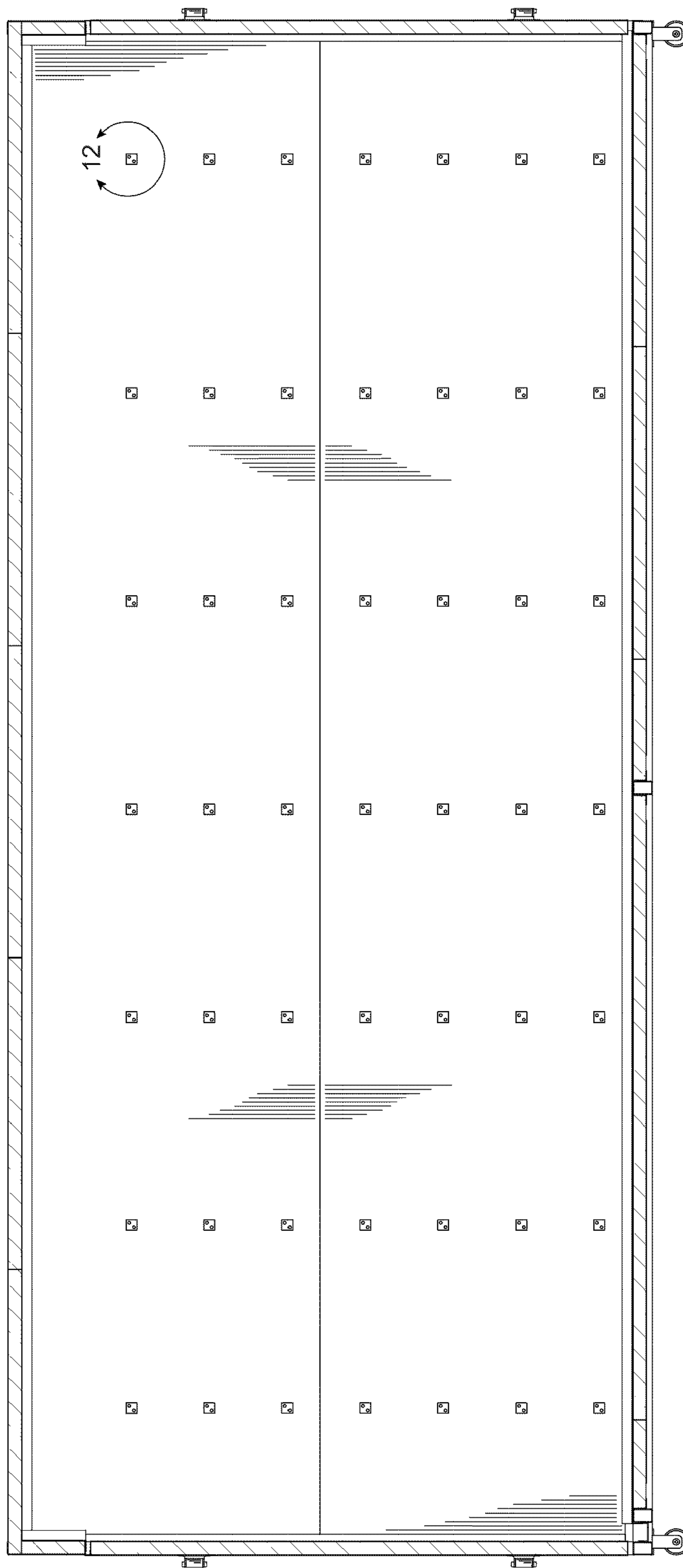


FIG. 6

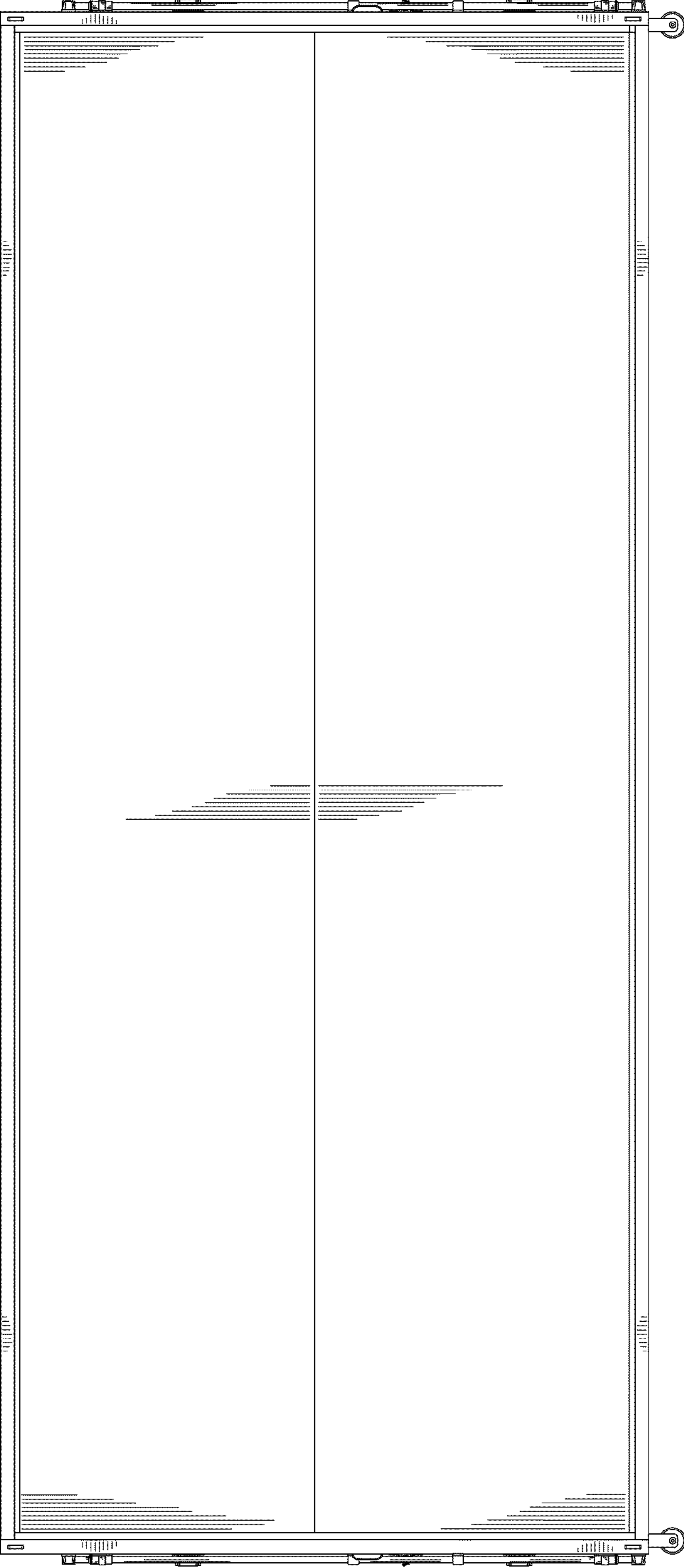


FIG. 7

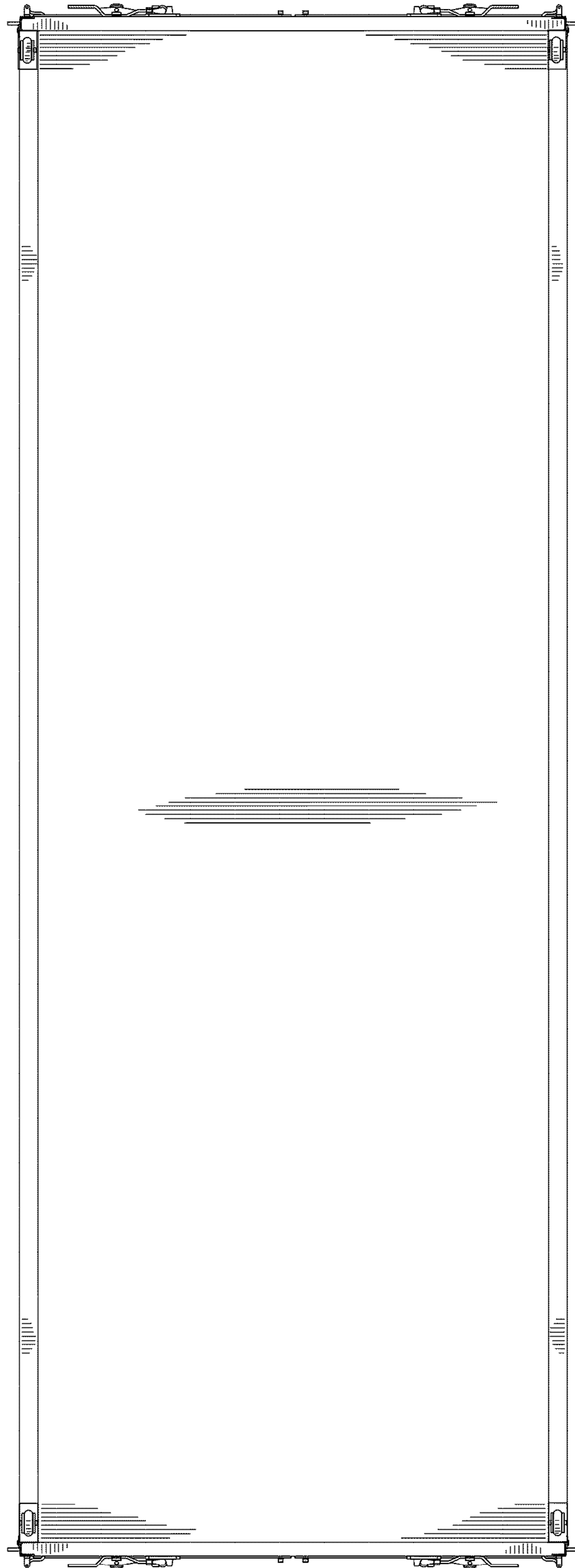


FIG. 8

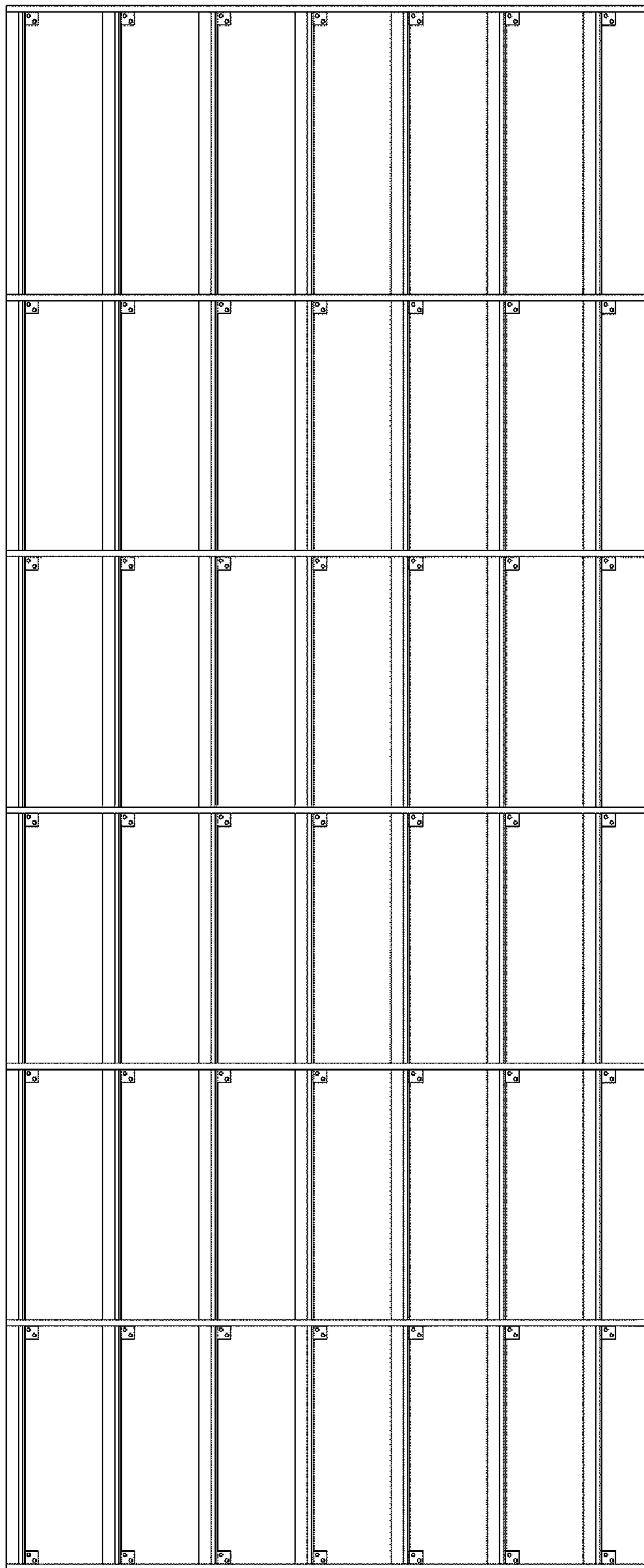


FIG. 9

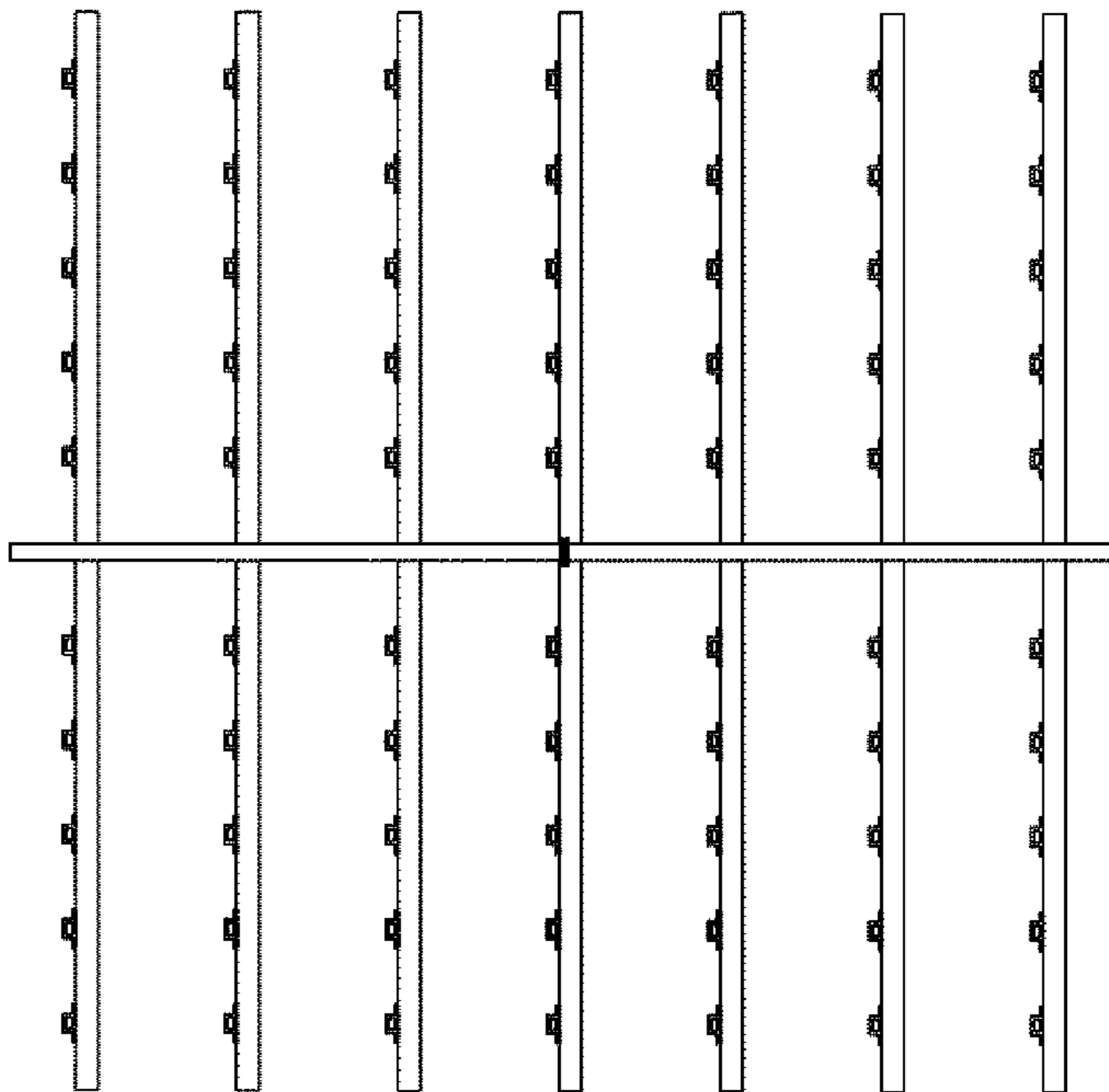


FIG. 10

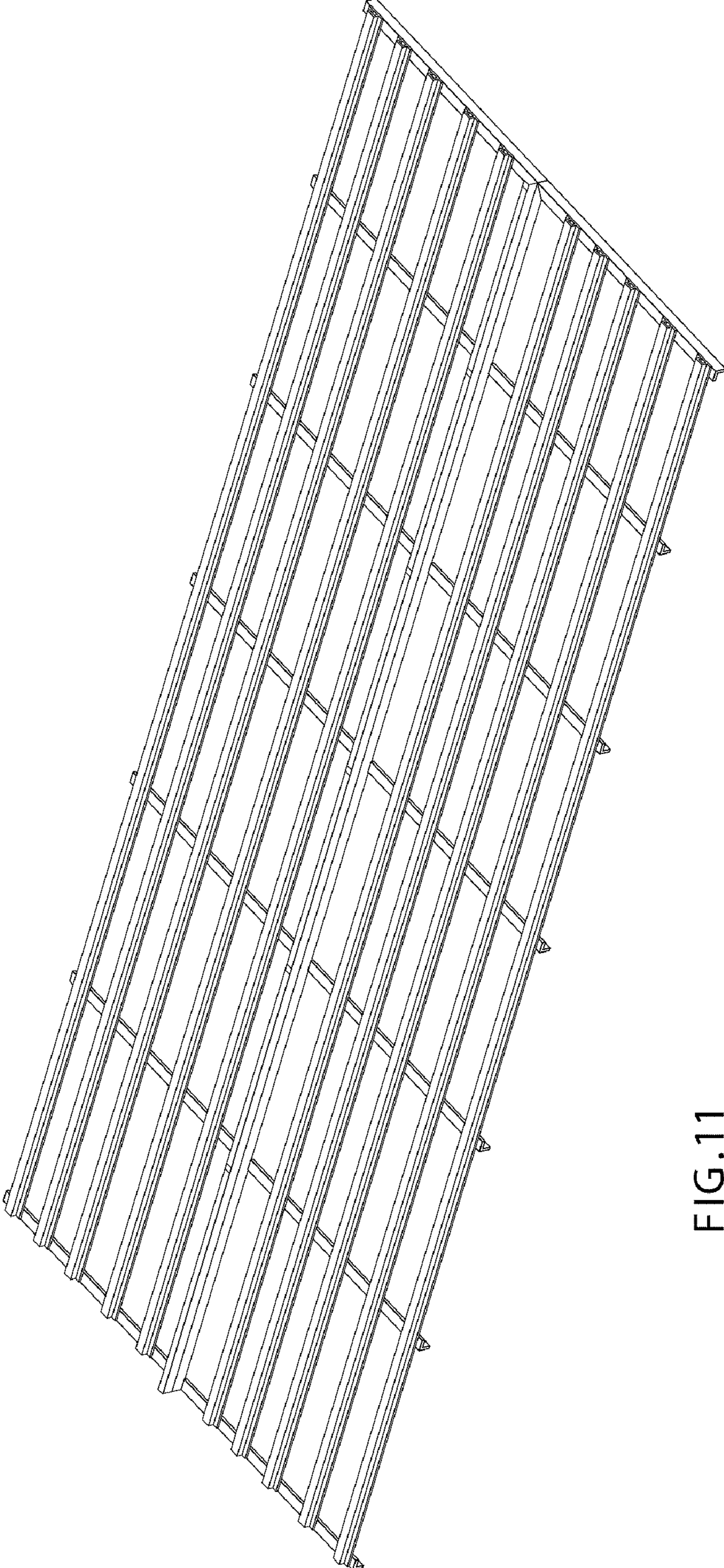


FIG.11

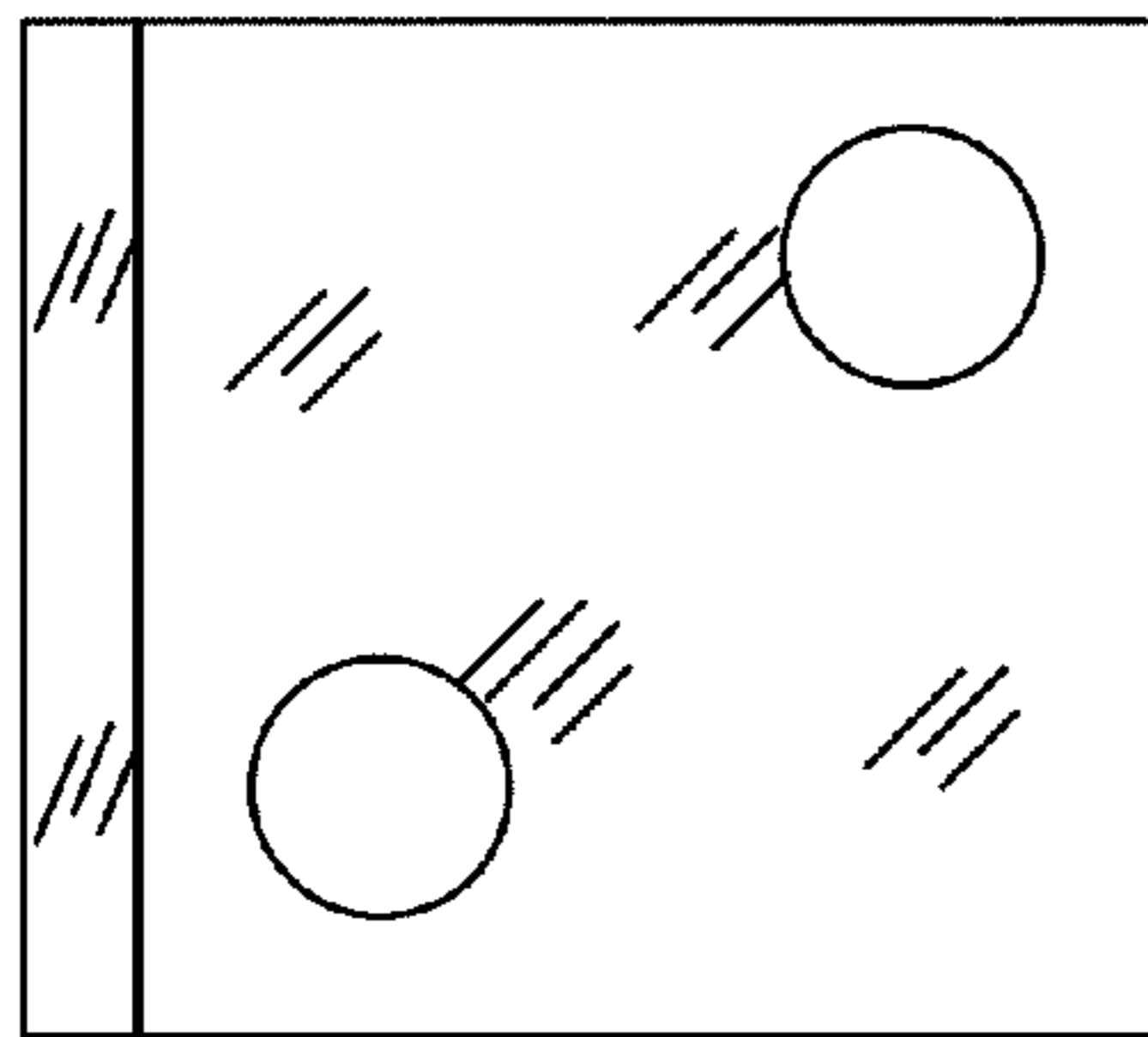


FIG. 12

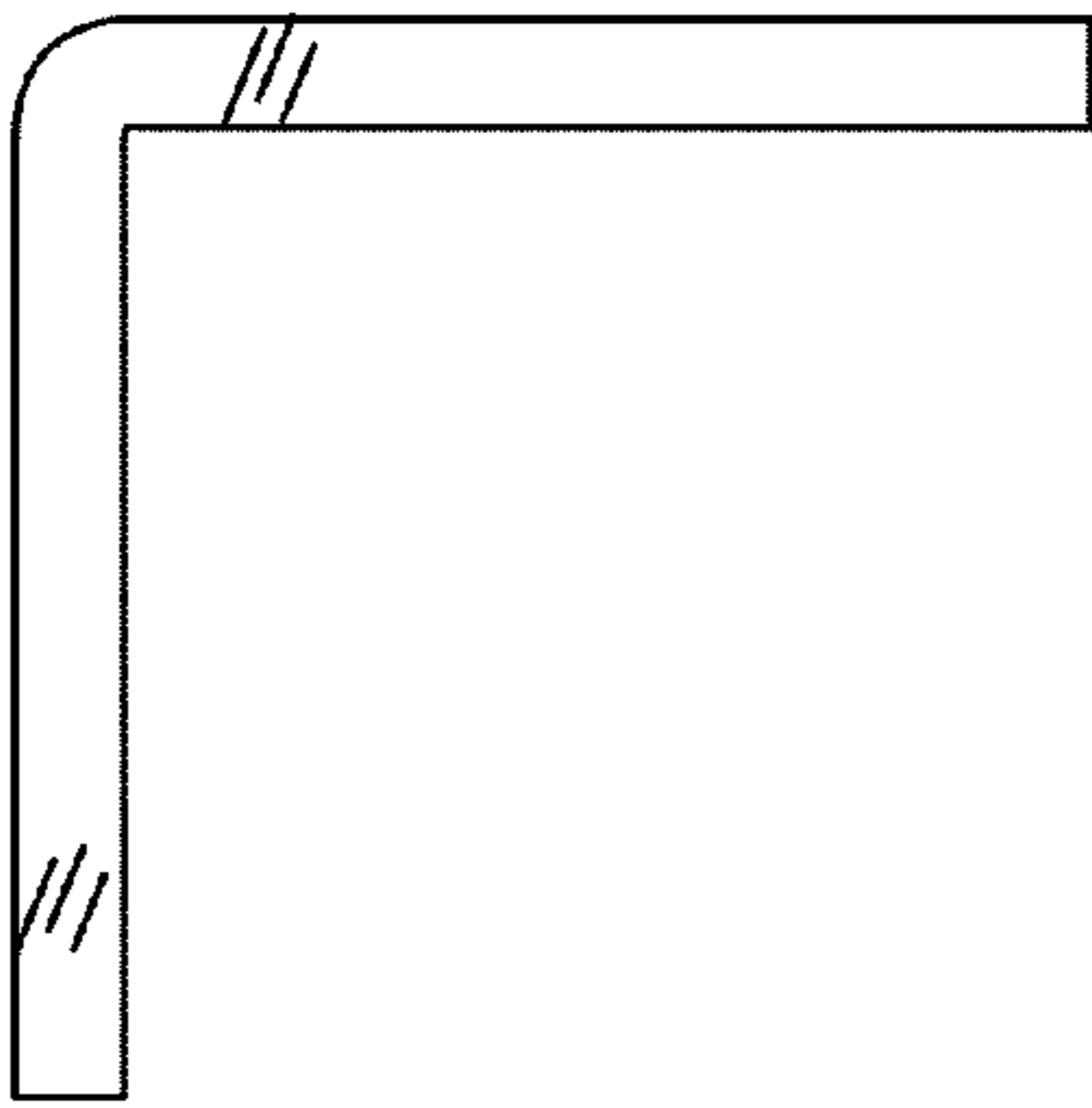


FIG. 13

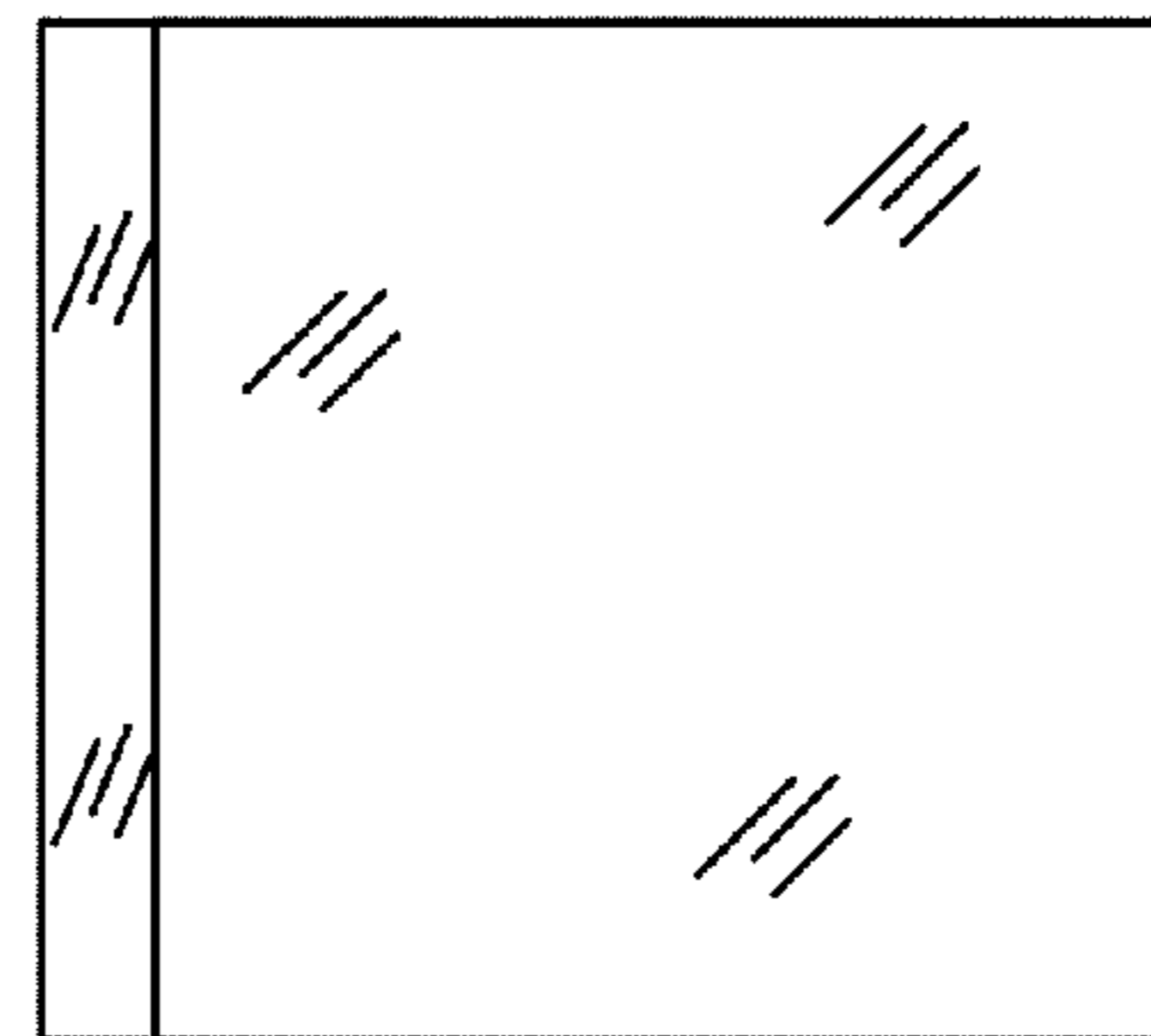


FIG. 14

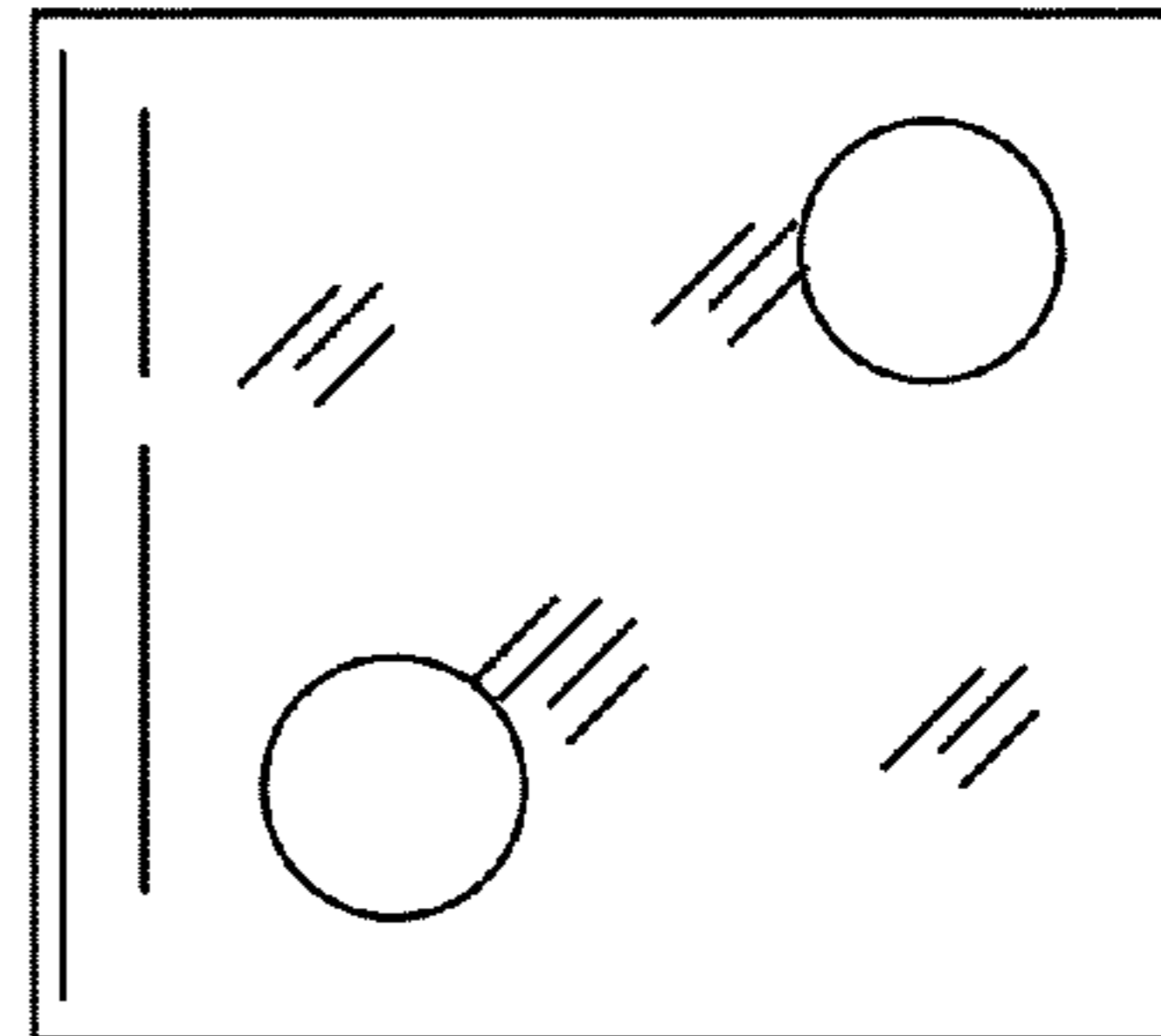


FIG. 15

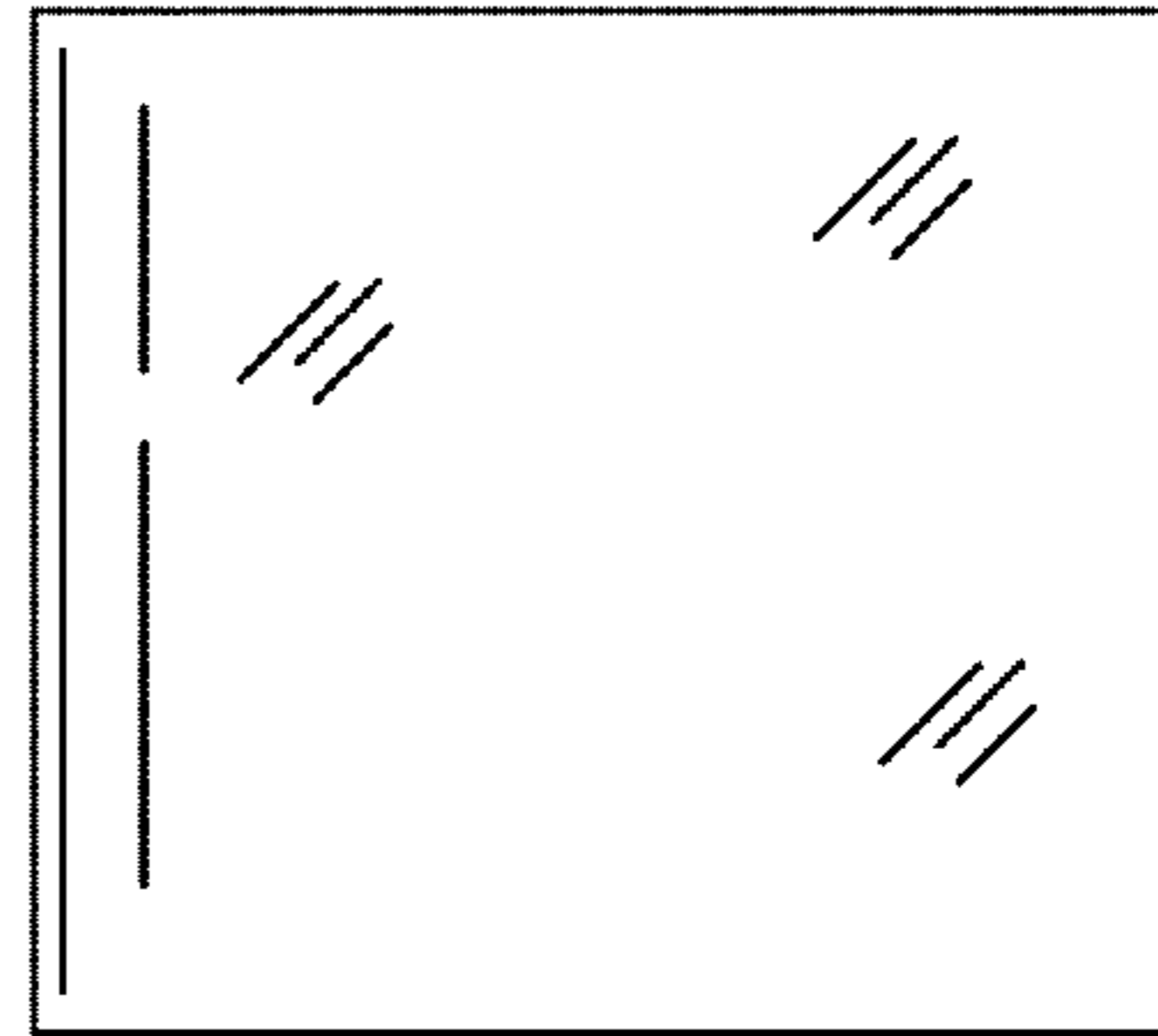


FIG. 16

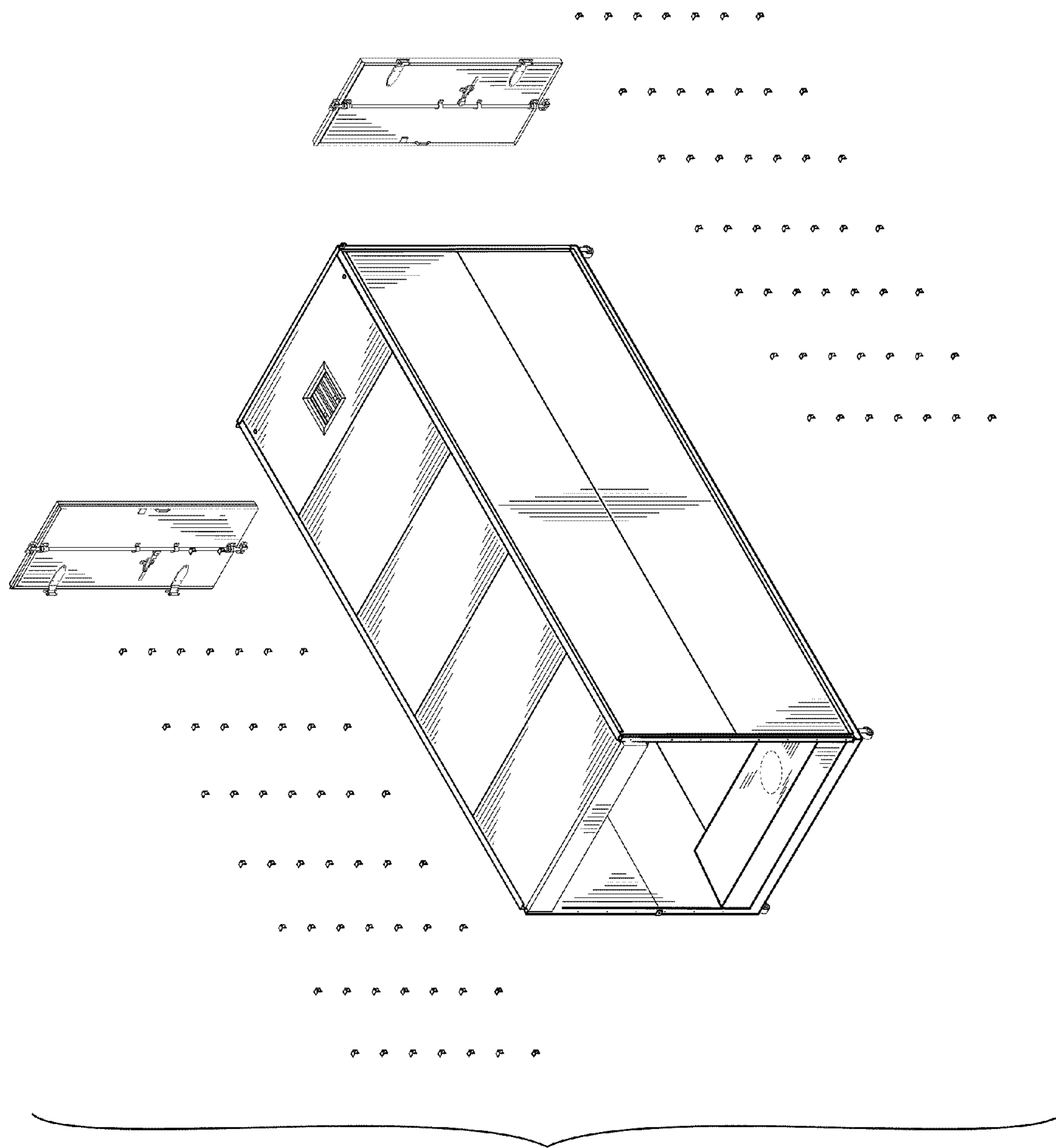


FIG. 17