



US00D655013S

(12) **United States Design Patent**
Sabaris Vilas

(10) **Patent No.:** **US D655,013 S**

(45) **Date of Patent:** **** Feb. 28, 2012**

- (54) **PORTABLE MEDICAL EQUIPMENT FOR CLINICAL ANALYSIS**
- (75) Inventor: **Joaquin Sabaris Vilas**, Polinya Del Valles (ES)
- (73) Assignee: **Roche Diagnostics, SL**, Sant Cugat de Valles (Barcelona) (ES)
- (**) Term: **14 Years**
- (21) Appl. No.: **29/357,967**
- (22) Filed: **Mar. 19, 2010**
- (51) **LOC (9) Cl.** **24-02**
- (52) **U.S. Cl.** **D24/185**
- (58) **Field of Classification Search** D24/107, D24/108, 111, 164, 169, 172, 185, 186, 177; D14/308; 600/301, 103, 104, 443; 606/32, 606/34, 41; D34/12, 14; 248/282.1; 312/209, 312/223.1, 223.2, 249.12
See application file for complete search history.

- D383,210 S * 9/1997 Child et al. D24/185
- D407,684 S * 4/1999 Moss et al. D13/101
- D438,952 S * 3/2001 Cimino et al. D24/107
- D486,915 S * 2/2004 Warschewske et al. D24/185
- D512,508 S * 12/2005 Mesaros D24/185
- D548,918 S * 8/2007 Nussberger D34/17
- D550,362 S * 9/2007 Olivera et al. D24/185
- D643,535 S * 8/2011 Ross et al. D24/164

* cited by examiner

Primary Examiner — Ian Simmons
Assistant Examiner — Christopher Lee
(74) *Attorney, Agent, or Firm* — Aboy&Assocaites, PC

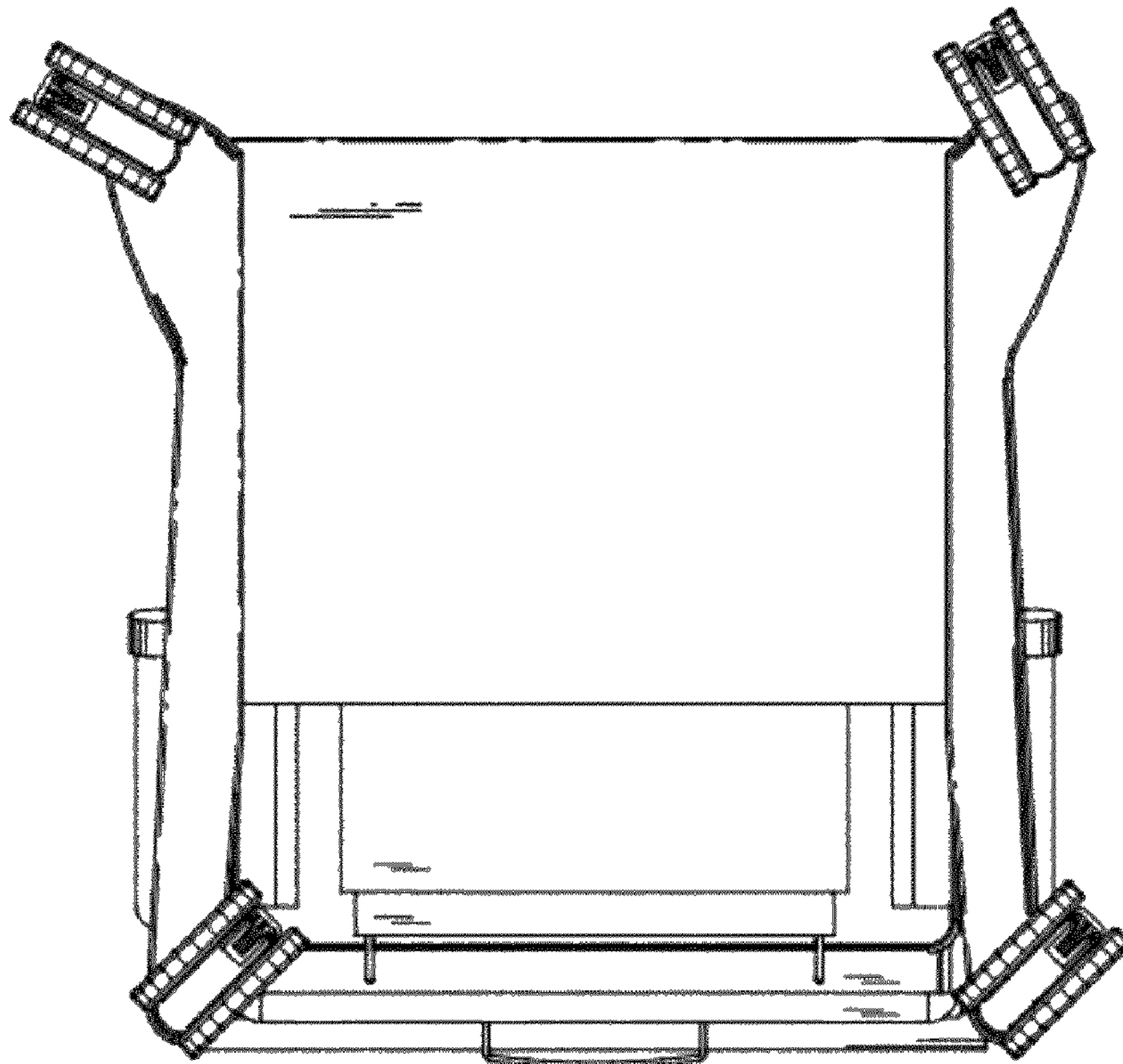
(57) **CLAIM**
I claim the ornamental design for a portable medical equipment for clinical analysis, as shown and described.

DESCRIPTION

FIG. 1 is a perspective view of a portable medical equipment for clinical analysis showing the new design; FIG. 2 is a front side view thereof; FIG. 3 is a rear side view thereof; FIG. 4 is a right side view thereof; FIG. 5 is a left side view thereof; FIG. 6 is a top view thereof; and, FIG. 7 is a bottom view thereof.

1 Claim, 7 Drawing Sheets

- (56) **References Cited**
- U.S. PATENT DOCUMENTS
- D347,896 S * 6/1994 Dickinson et al. D24/185
- D352,106 S * 11/1994 Fanney et al. D24/185
- D381,749 S * 7/1997 Lawrence et al. D24/169



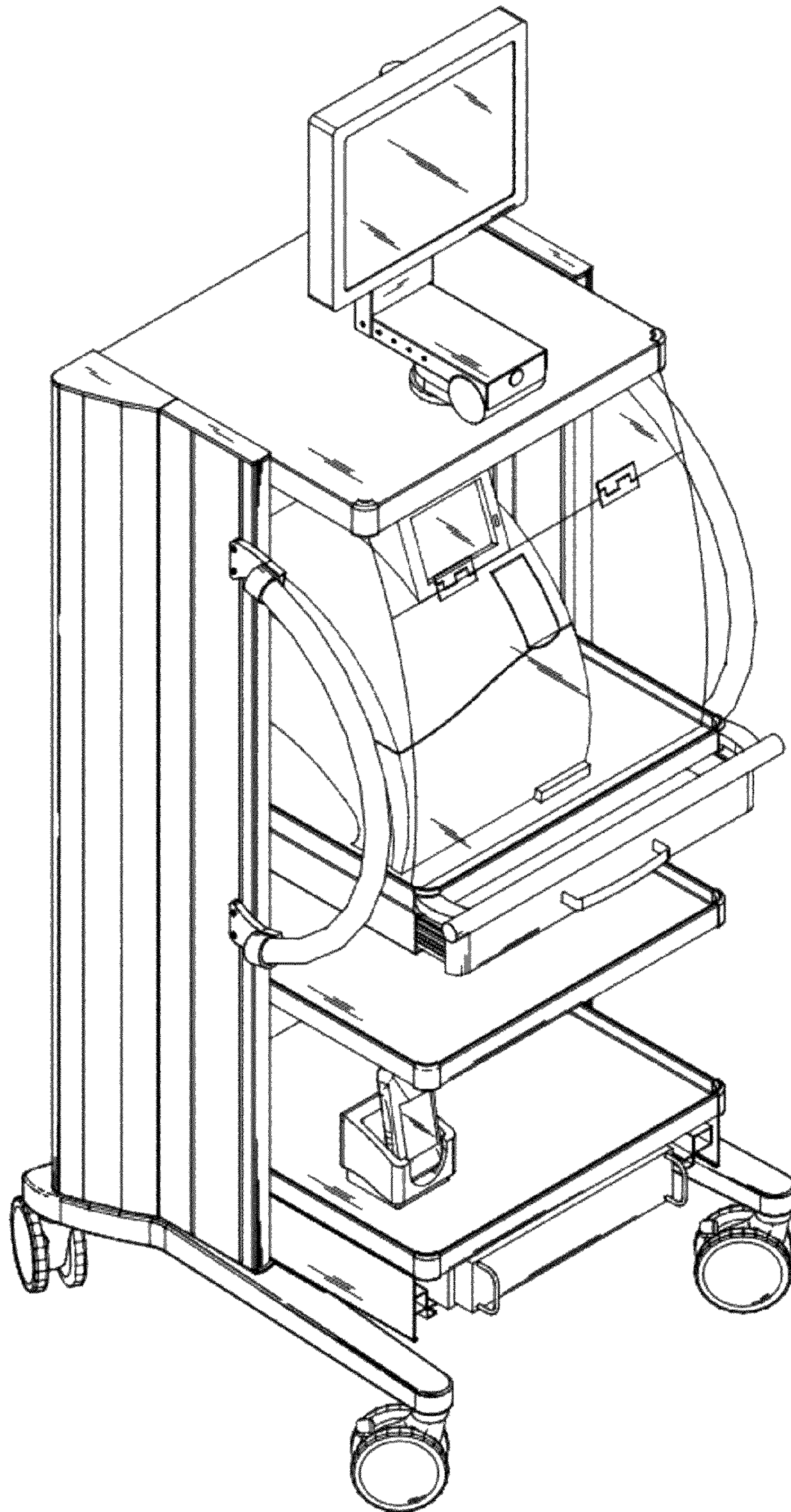


FIG. 1

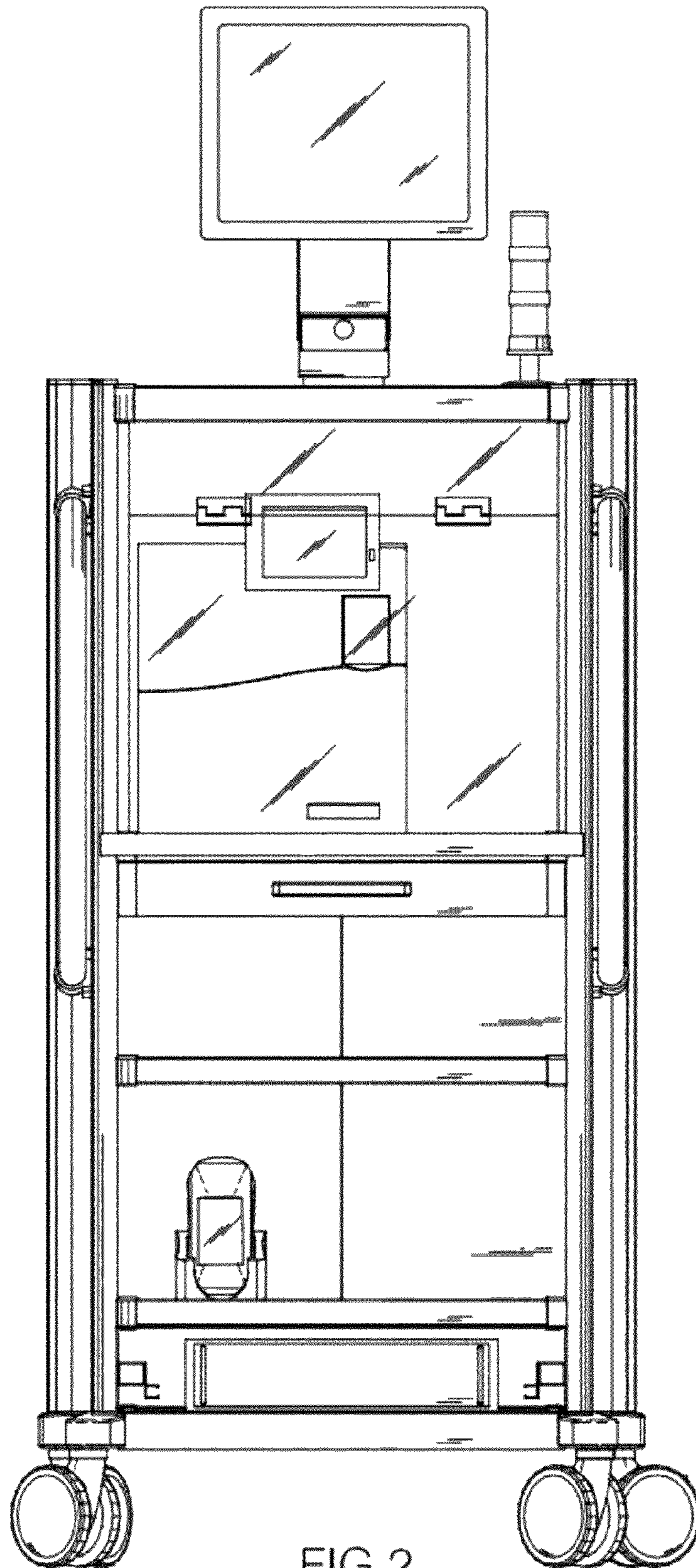


FIG.2

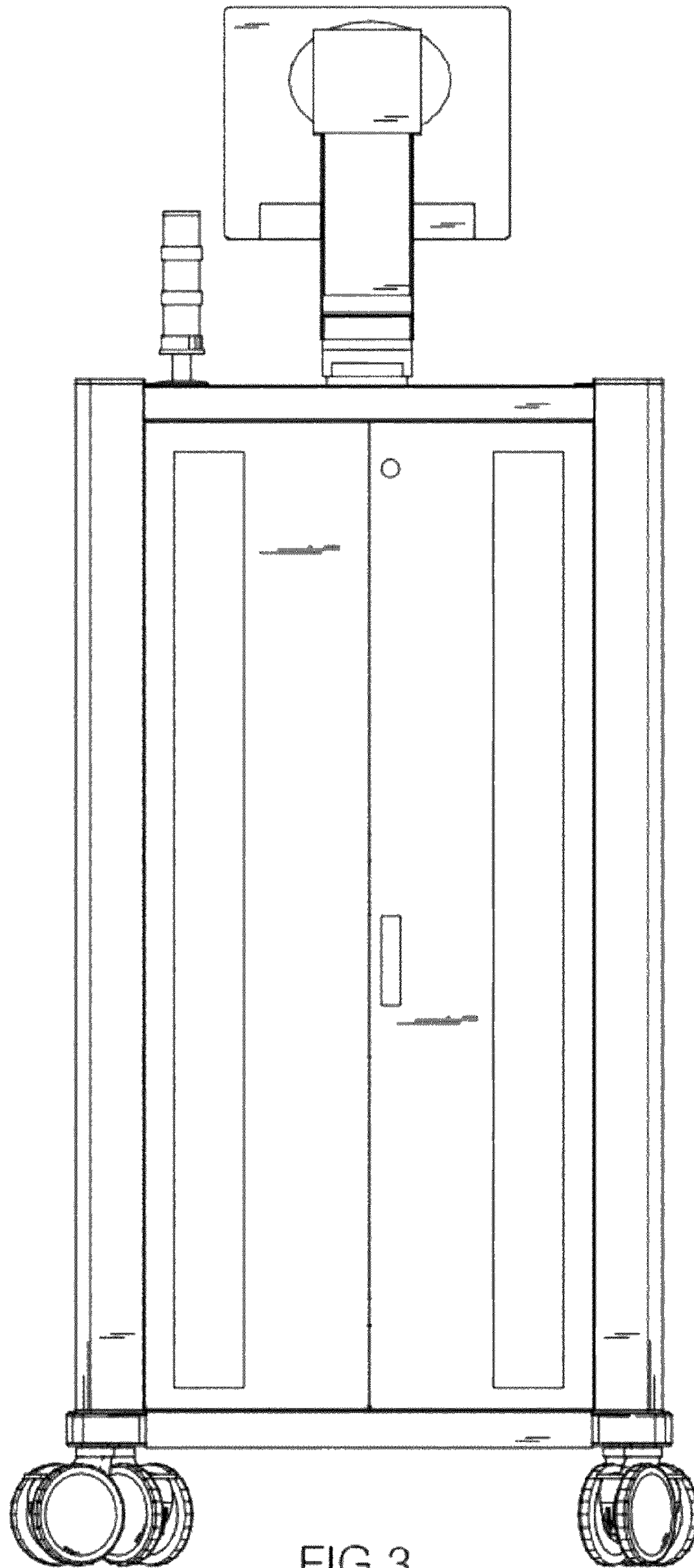


FIG.3

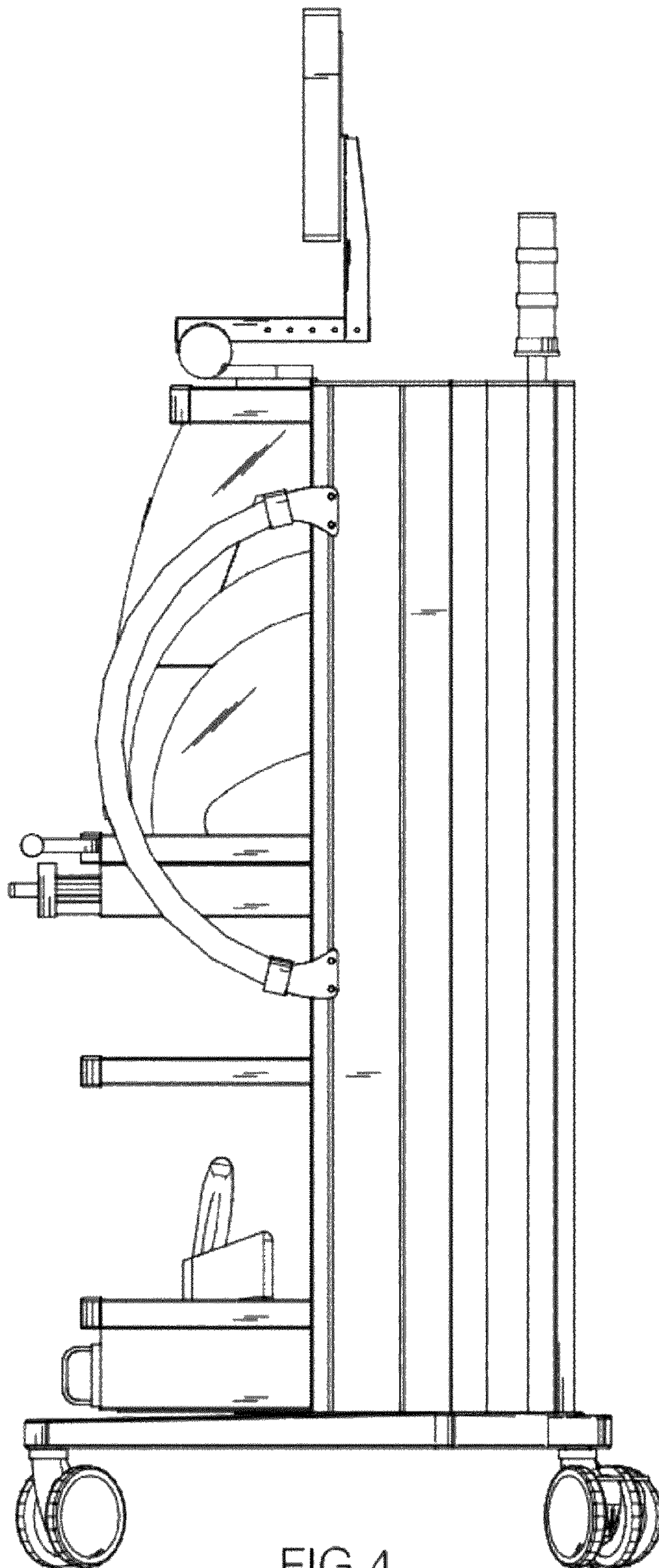


FIG. 4

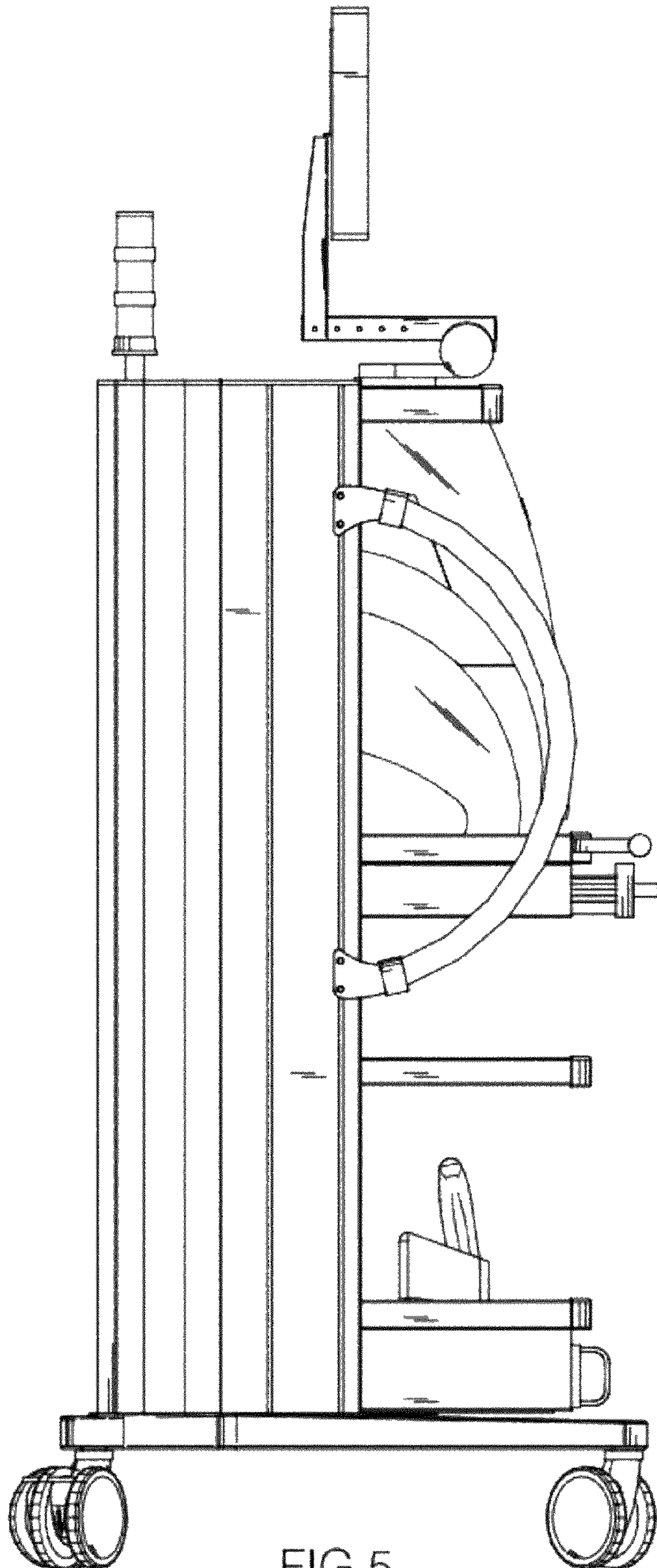


FIG.5

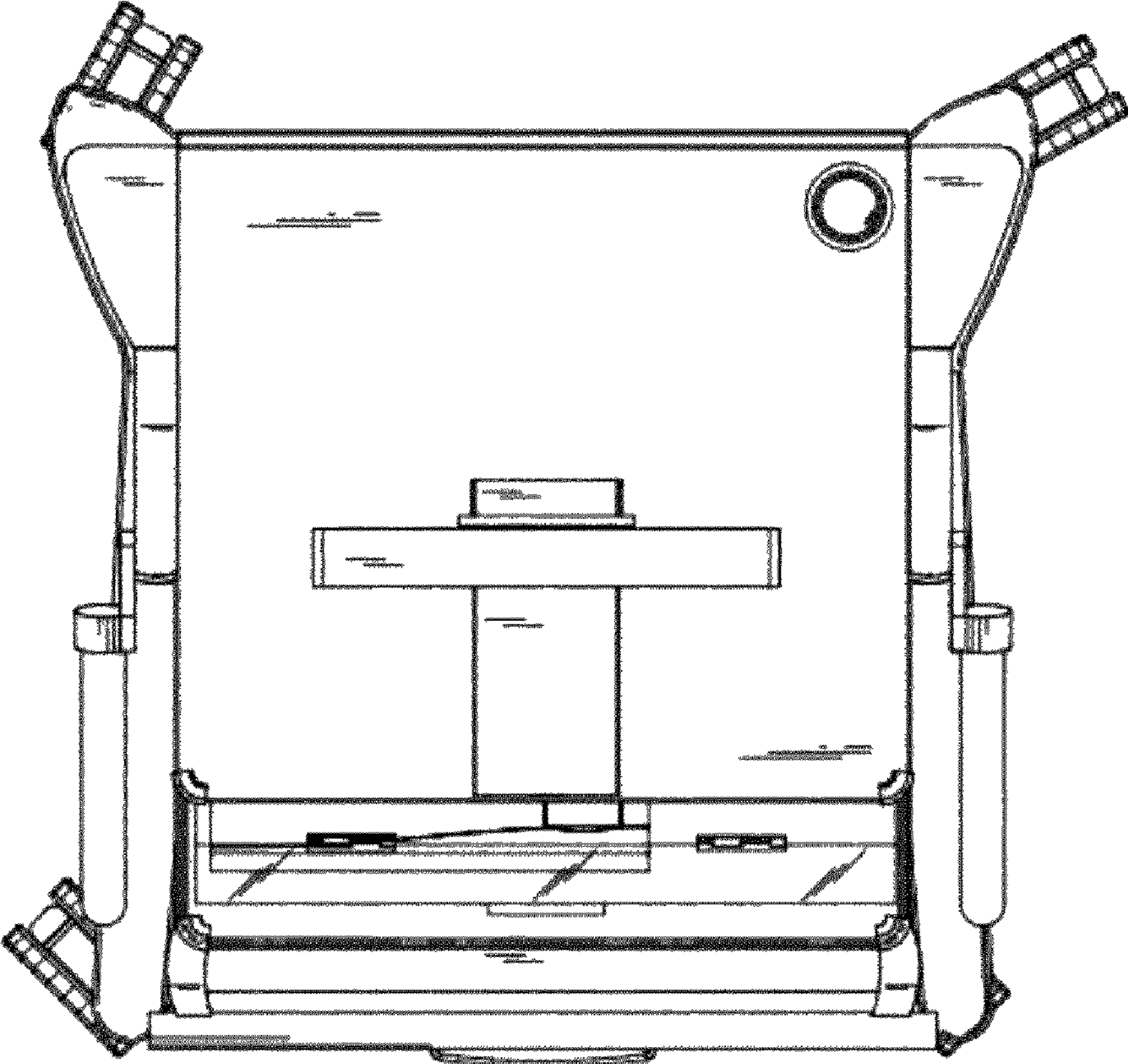


FIG.6

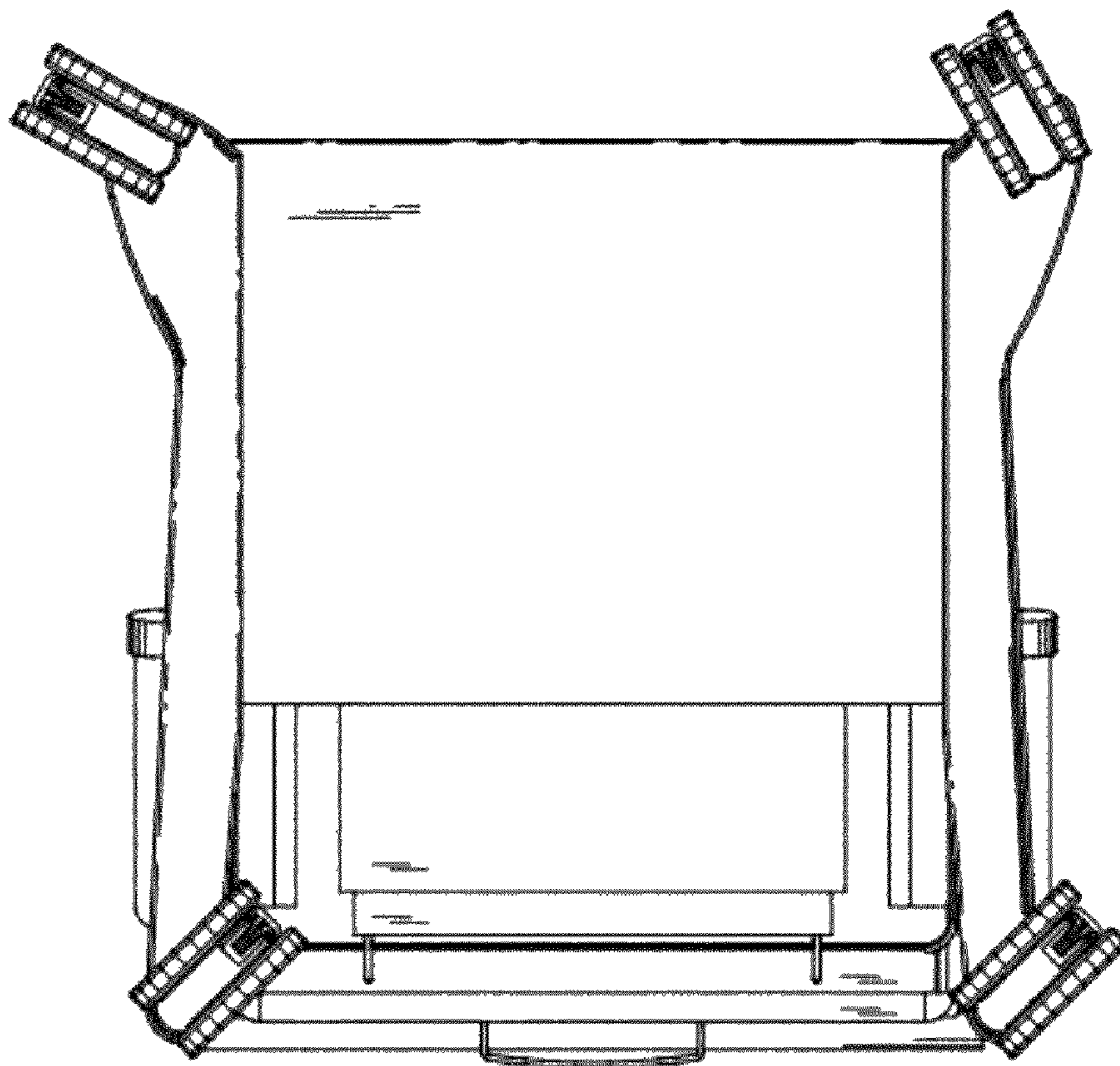


FIG. 7