



US00D655010S

(12) **United States Design Patent**
Wenk et al.

(10) **Patent No.:** **US D655,010 S**
(45) **Date of Patent:** **** Feb. 28, 2012**

- (54) **BONE PLATE FIXATION DEVICE**
- (75) Inventors: **Klaus Wenk**, Constance (DE); **Amanda L. Neher**, Claypool, IN (US); **Kyle A. Bohnenkamper**, Warsaw, IN (US)
- (73) Assignees: **Zimmer, Inc.**, Warsaw, IN (US); **Zimmer GmbH**, Winterthur (CH)
- (**) Term: **14 Years**
- (21) Appl. No.: **29/388,232**
- (22) Filed: **Mar. 25, 2011**
- (51) **LOC (9) Cl.** **24-03**
- (52) **U.S. Cl.** **D24/155**
- (58) **Field of Classification Search** D24/155, D24/156, 157; 623/17.11, 16.71; D8/391-393, D8/382, 354; 606/246, 247, 248, 249, 258, 606/267, 280, 70, 71, 283, 299, 166, 903, 606/905, 906, 286, 396, 17.13
See application file for complete search history.

D642,685 S * 8/2011 Wenk et al. D24/155
 2006/0173458 A1 8/2006 Forstein et al.
 2008/0183172 A1 7/2008 Fritzing

OTHER PUBLICATIONS

Product Brochure—Zimmer NCB Plating System, A locking plate system that expands a surgeon's options in trauma surgery, 97-2370-001-00 5 ML, 2006 Zimmer, Inc.
 Surgical Technique—Zimmer NCB Distal Femoral Plating System, The right locking option for tough fractures.

* cited by examiner

Primary Examiner — Ian Simmons

Assistant Examiner — Charles Hanson

(74) *Attorney, Agent, or Firm* — Faegre Baker Daniels

(57) **CLAIM**

The ornamental design for a bone plate fixation device, as shown and described.

DESCRIPTION

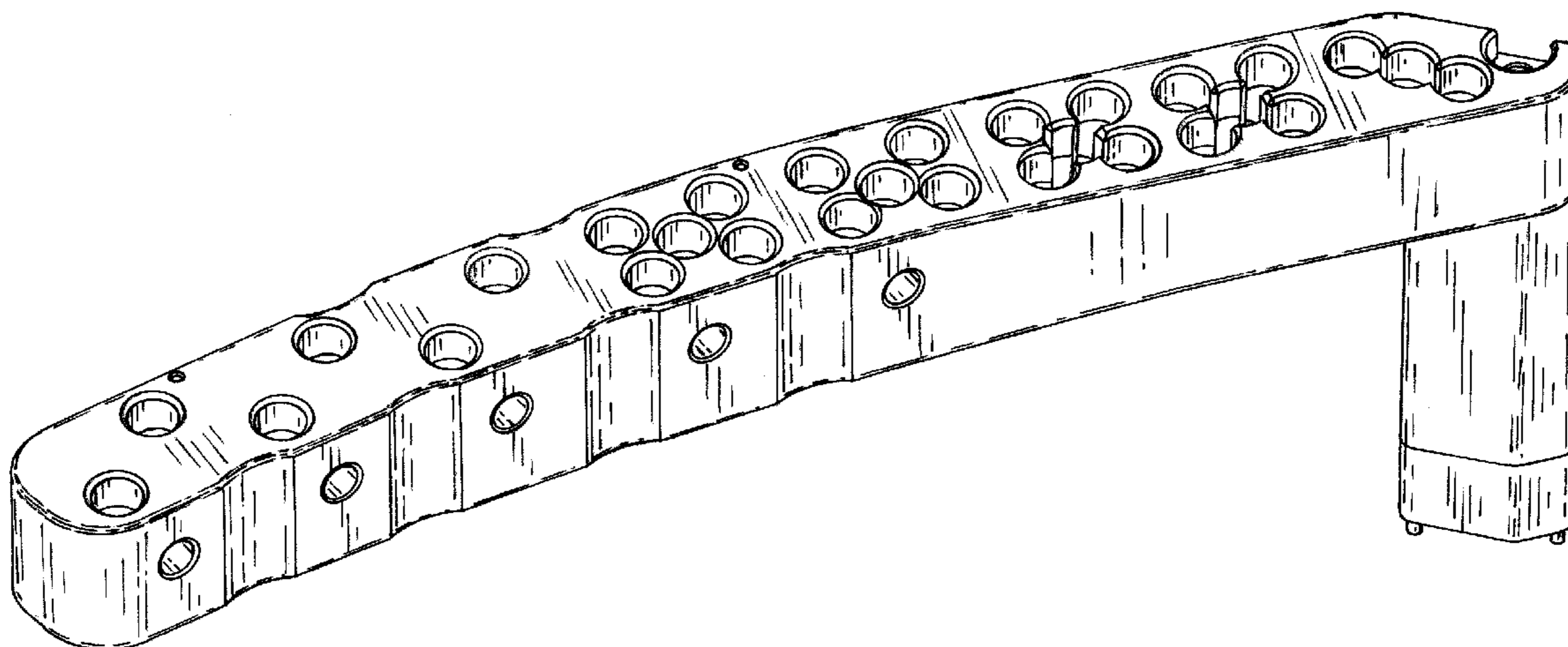
FIG. 1 is a perspective view of a bone plate fixation device illustrating our new design;
 FIG. 2 is another perspective view thereof;
 FIG. 3 is a left side elevation view thereof;
 FIG. 4 is a right side elevation view thereof;
 FIG. 5 is a top plan view thereof;
 FIG. 6 is a bottom plan view thereof;
 FIG. 7 is a rear end view thereof; and,
 FIG. 8 is a front end view thereof.

1 Claim, 6 Drawing Sheets

(56) **References Cited**

U.S. PATENT DOCUMENTS

- 6,183,474 B1 * 2/2001 Bramlet et al. 606/66
- D469,874 S * 2/2003 Bryant et al. D24/155
- D469,875 S * 2/2003 Bryant et al. D24/155
- D470,588 S * 2/2003 Bryant et al. D24/155
- D480,141 S * 9/2003 Benirschke et al. D24/155
- 7,229,445 B2 * 6/2007 Hayeck et al. 606/70
- D638,942 S * 5/2011 Wenk et al. D24/155



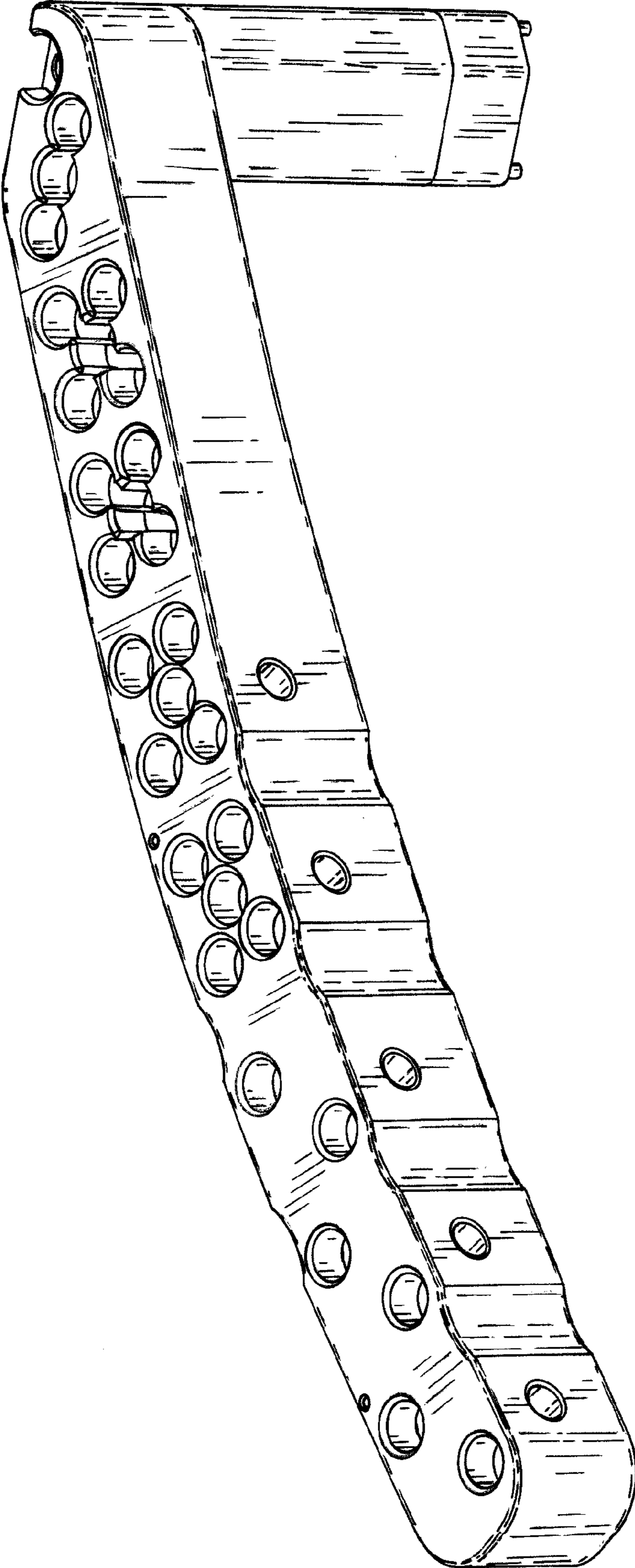


FIG. 1

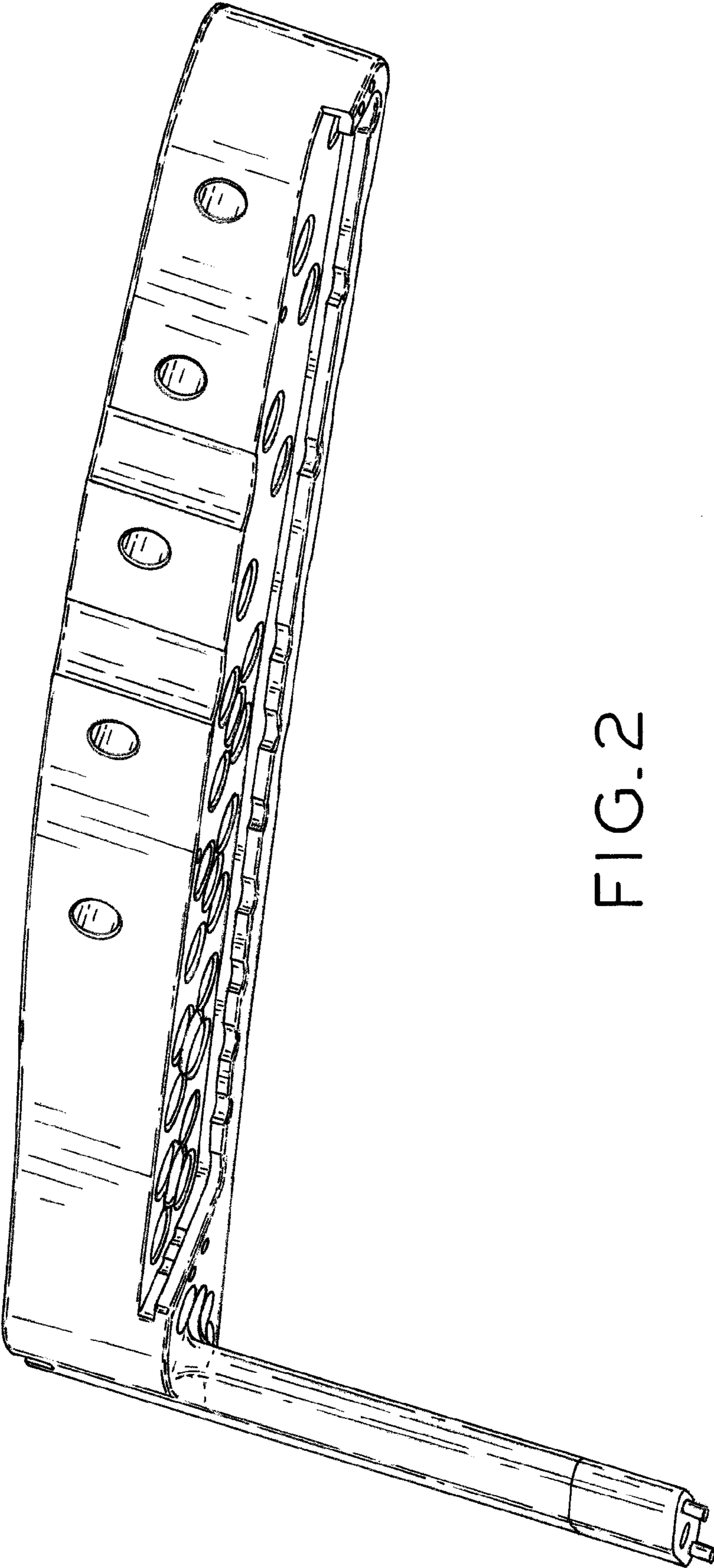


FIG. 2

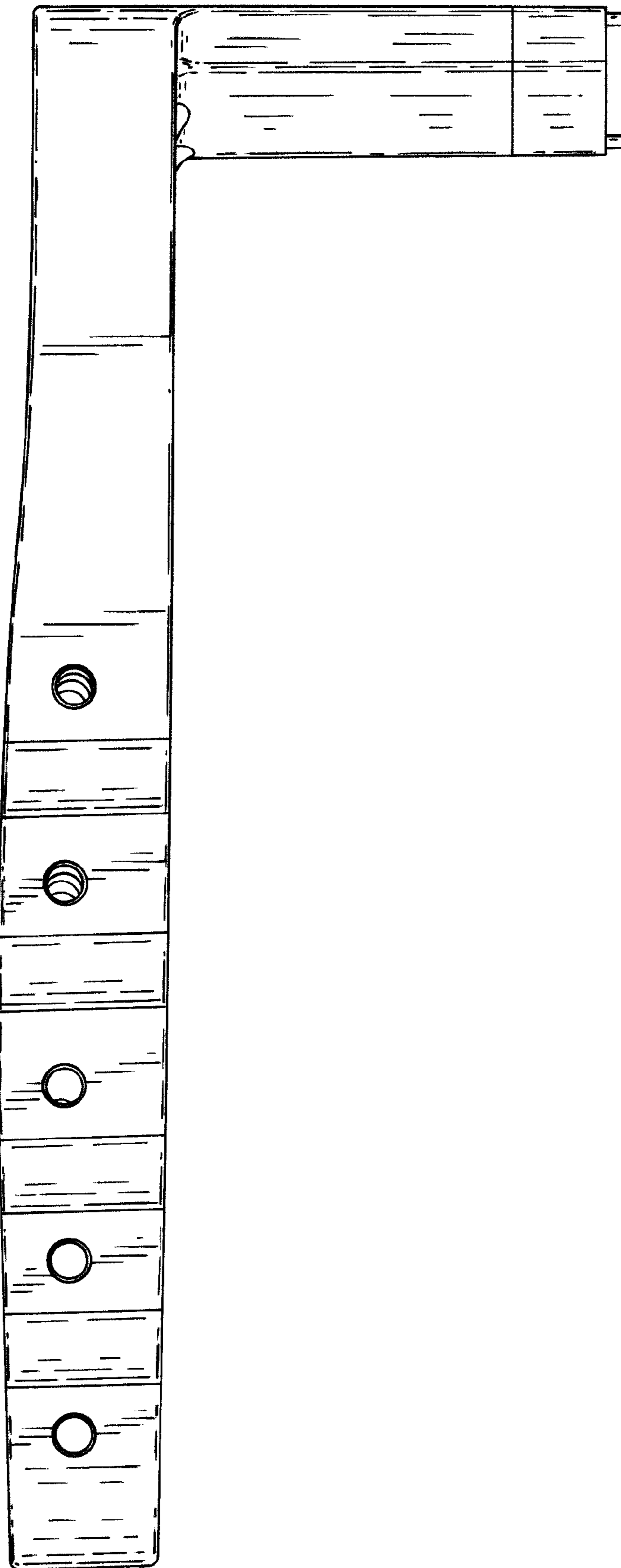


FIG. 3

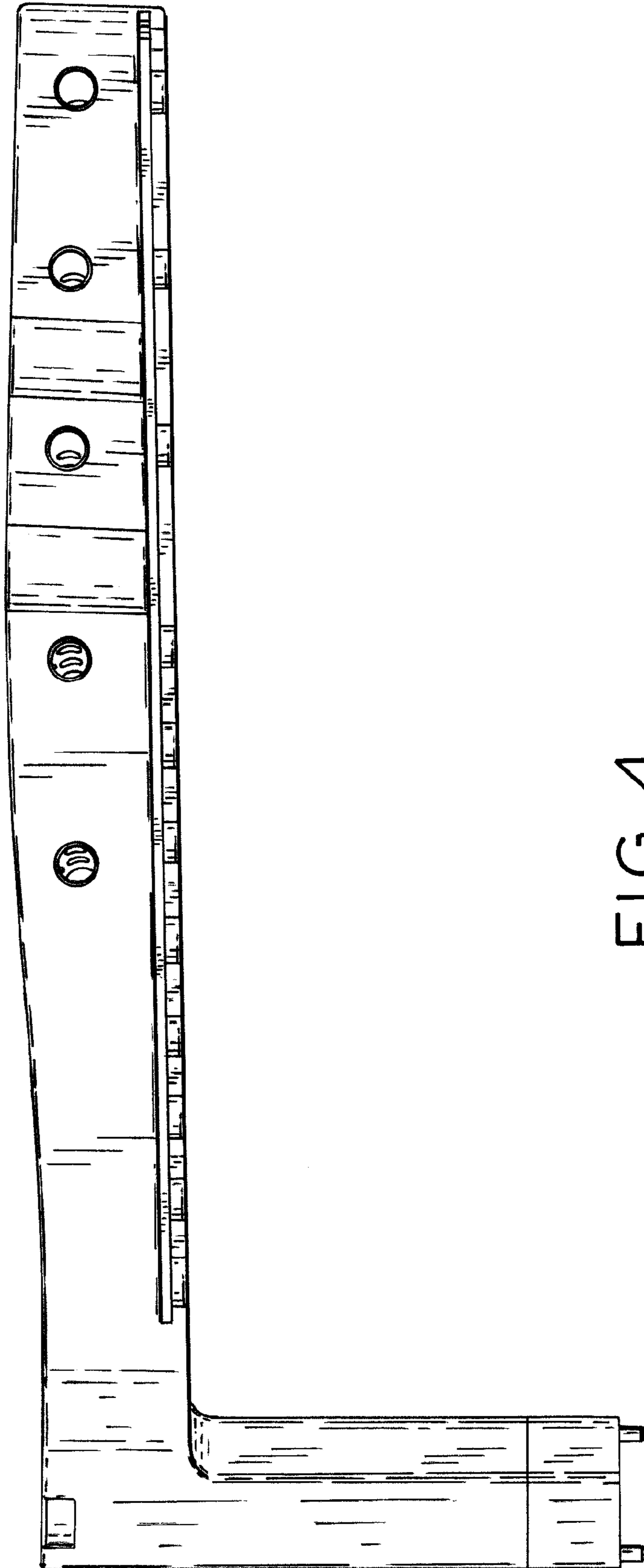


FIG. 4

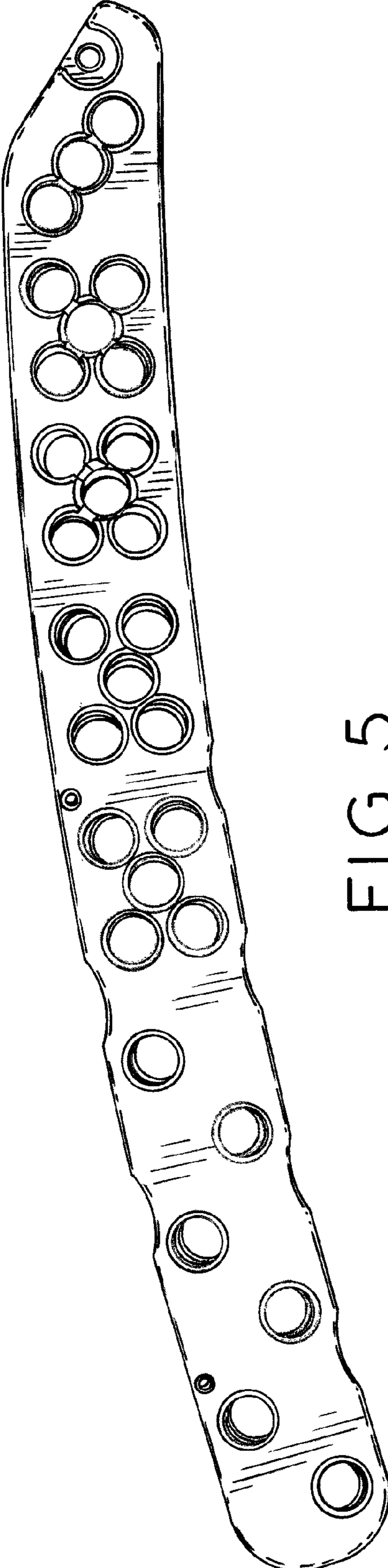


FIG. 5

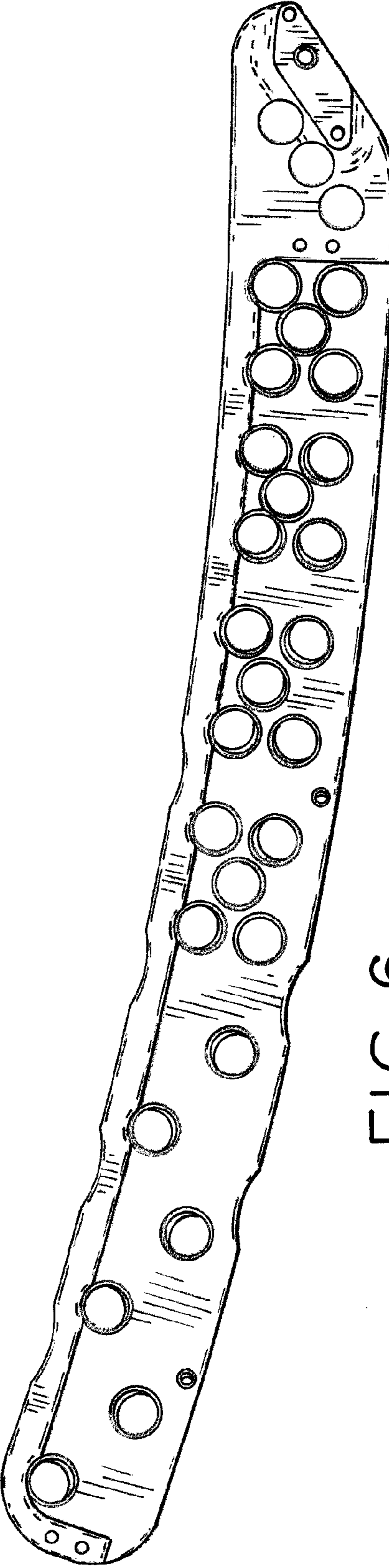


FIG. 6

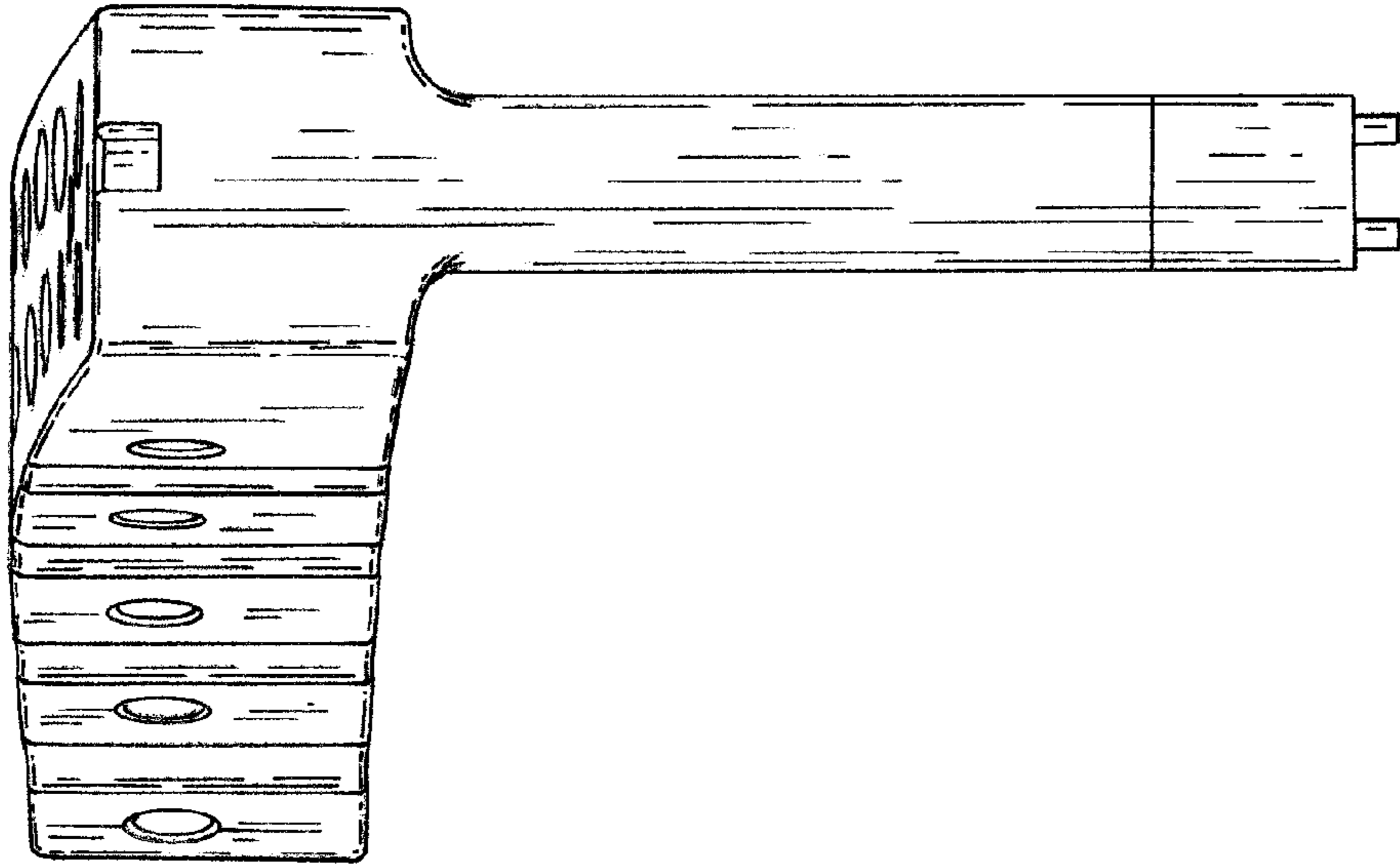


FIG. 7

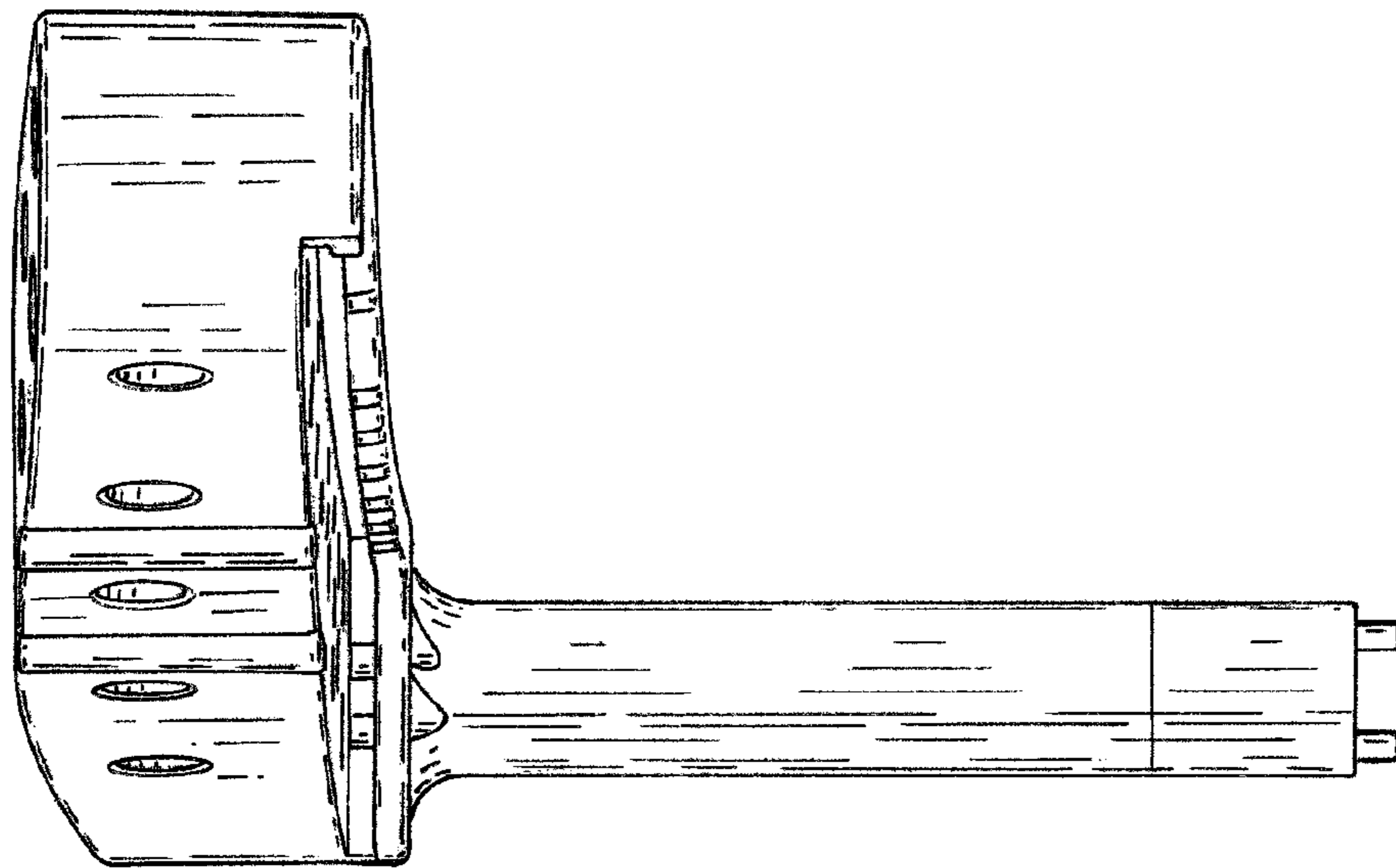


FIG. 8