



US00D655009S

(12) **United States Design Patent**  
**L'Heureux et al.**

(10) **Patent No.:** **US D655,009 S**

(45) **Date of Patent:** **\*\* Feb. 28, 2012**

(54) **PROSTHETIC FOOT**

(75) Inventors: **Kevin L'Heureux**, Southgate, MI (US);  
**Michael Marrs**, St. Clair Shores, MI  
(US); **Christopher L. Johnson**,  
Mountain Park, OK (US)

(73) Assignee: **College Park Industries, Inc.**, Fraser,  
MI (US)

(\*\*) Term: **14 Years**

(21) Appl. No.: **29/384,289**

(22) Filed: **Jan. 28, 2011**

(51) **LOC (9) Cl.** ..... **24-03**

(52) **U.S. Cl.** ..... **D24/155**

(58) **Field of Classification Search** ..... D24/155-157;  
623/53-56

See application file for complete search history.

(56) **References Cited**

**U.S. PATENT DOCUMENTS**

5,509,938	A *	4/1996	Phillips	.....	623/56
5,899,944	A *	5/1999	Phillips	.....	623/55
6,527,811	B1 *	3/2003	Phillips	.....	623/52
6,929,665	B2 *	8/2005	Christensen	.....	623/52
7,060,104	B2 *	6/2006	Phillips	.....	623/55
D579,115	S *	10/2008	Rubie et al.	.....	D24/155
D632,392	S *	2/2011	Jacobs et al.	.....	D24/155
D633,205	S *	2/2011	Muhlenberend	.....	D24/155

D633,618	S *	3/2011	Johnson et al.	.....	D24/155
2003/0144745	A1 *	7/2003	Phillips	.....	623/55
2003/0191541	A1 *	10/2003	Phillips	.....	623/55
2007/0027557	A1 *	2/2007	Jonsson et al.	.....	623/55

\* cited by examiner

*Primary Examiner* — Ian Simmons

*Assistant Examiner* — Charles Hanson

(74) *Attorney, Agent, or Firm* — Gifford, Krass, Sprinkle,  
Anderson & Citkowski, P.C.

(57) **CLAIM**

The ornamental design for a prosthetic foot, as shown and described.

**DESCRIPTION**

FIG. 1 is a front perspective view of a prosthetic foot showing our design;

FIG. 2 is a rear perspective view of the prosthetic foot of FIG. 1;

FIG. 3 is a front elevation view of the prosthetic foot of FIG. 1;

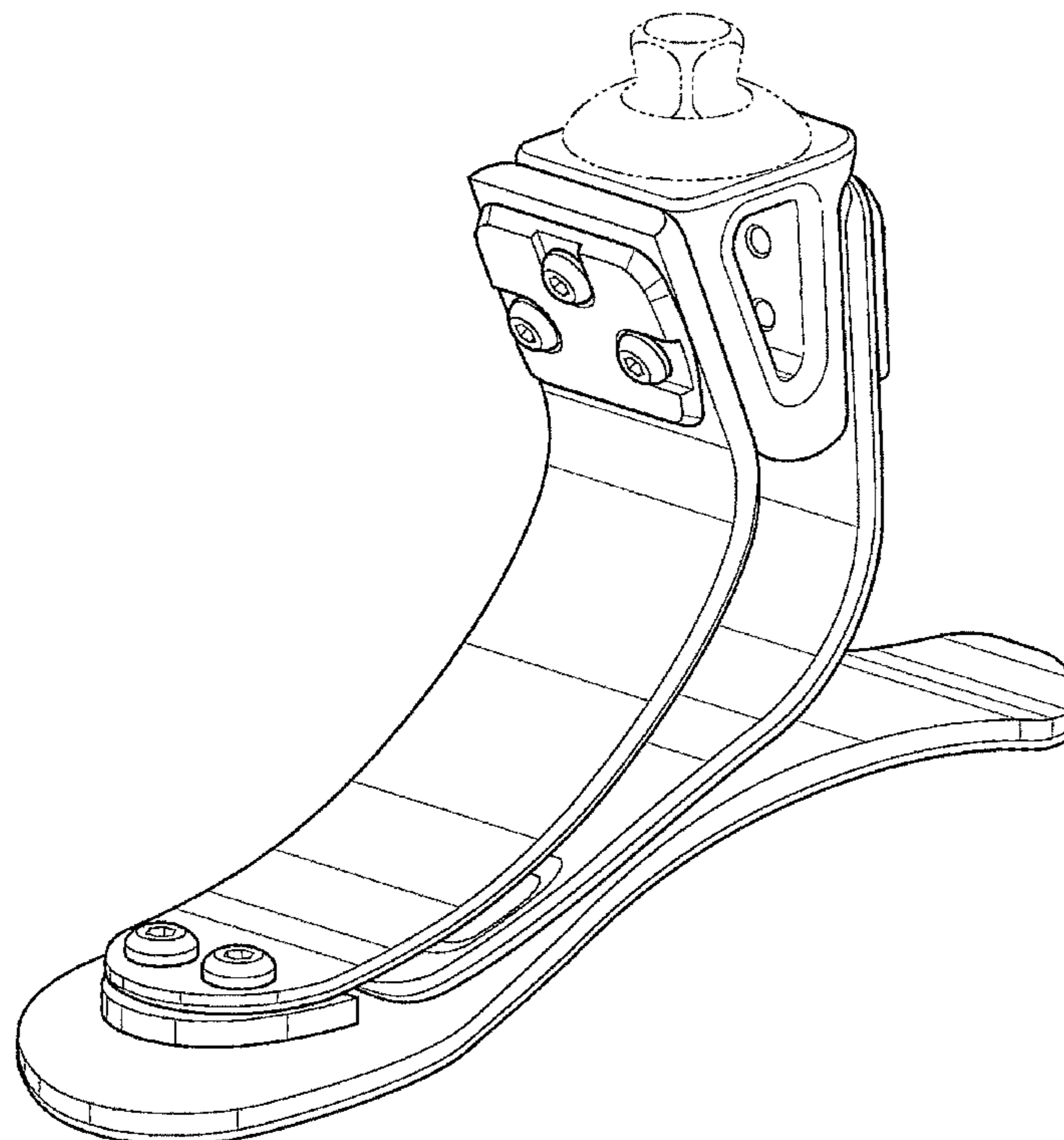
FIG. 4 is a rear elevation view of the prosthetic foot of FIG. 1;

FIG. 5 is a left side view of the prosthetic foot of FIG. 1;

FIG. 6 is a right side view of the prosthetic foot of FIG. 1;

FIG. 7 is a top plan view of the prosthetic foot of FIG. 1; and, FIG. 8 is a bottom plan view of the prosthetic foot of FIG. 1. The broken line showing is included for the purpose of illustrating environment and forms no part of the claimed design.

**1 Claim, 6 Drawing Sheets**



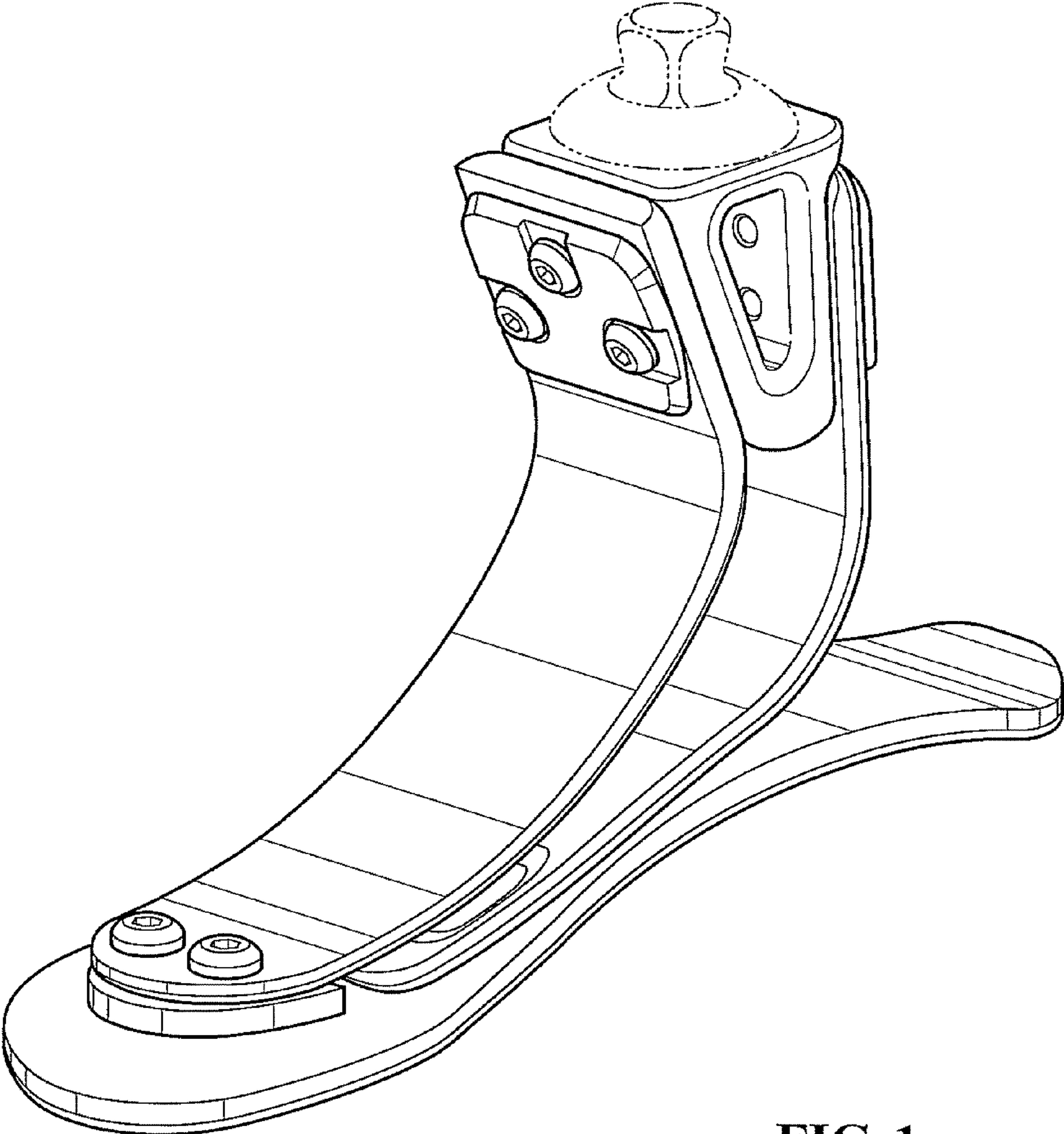


FIG. 1

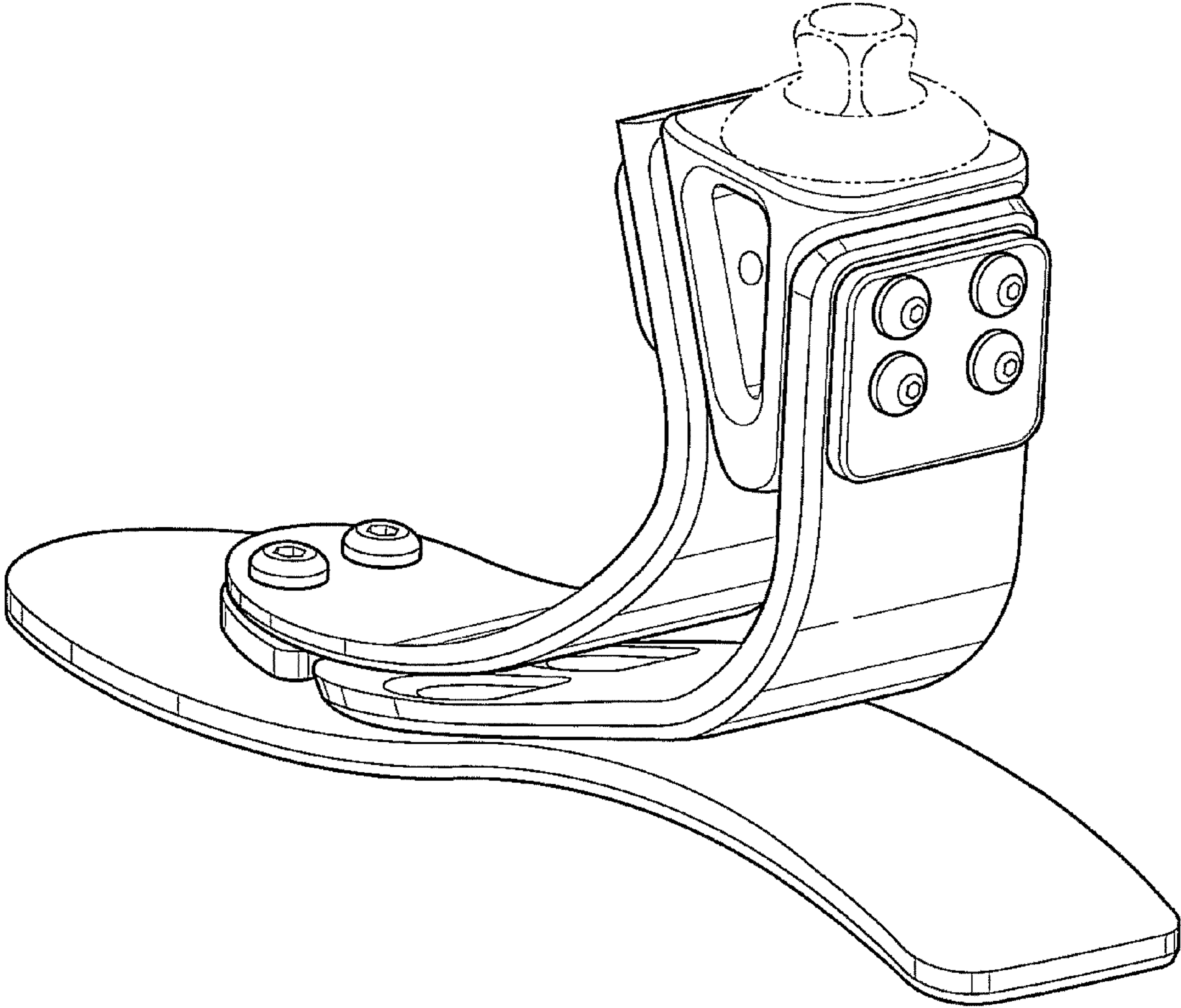


FIG. 2

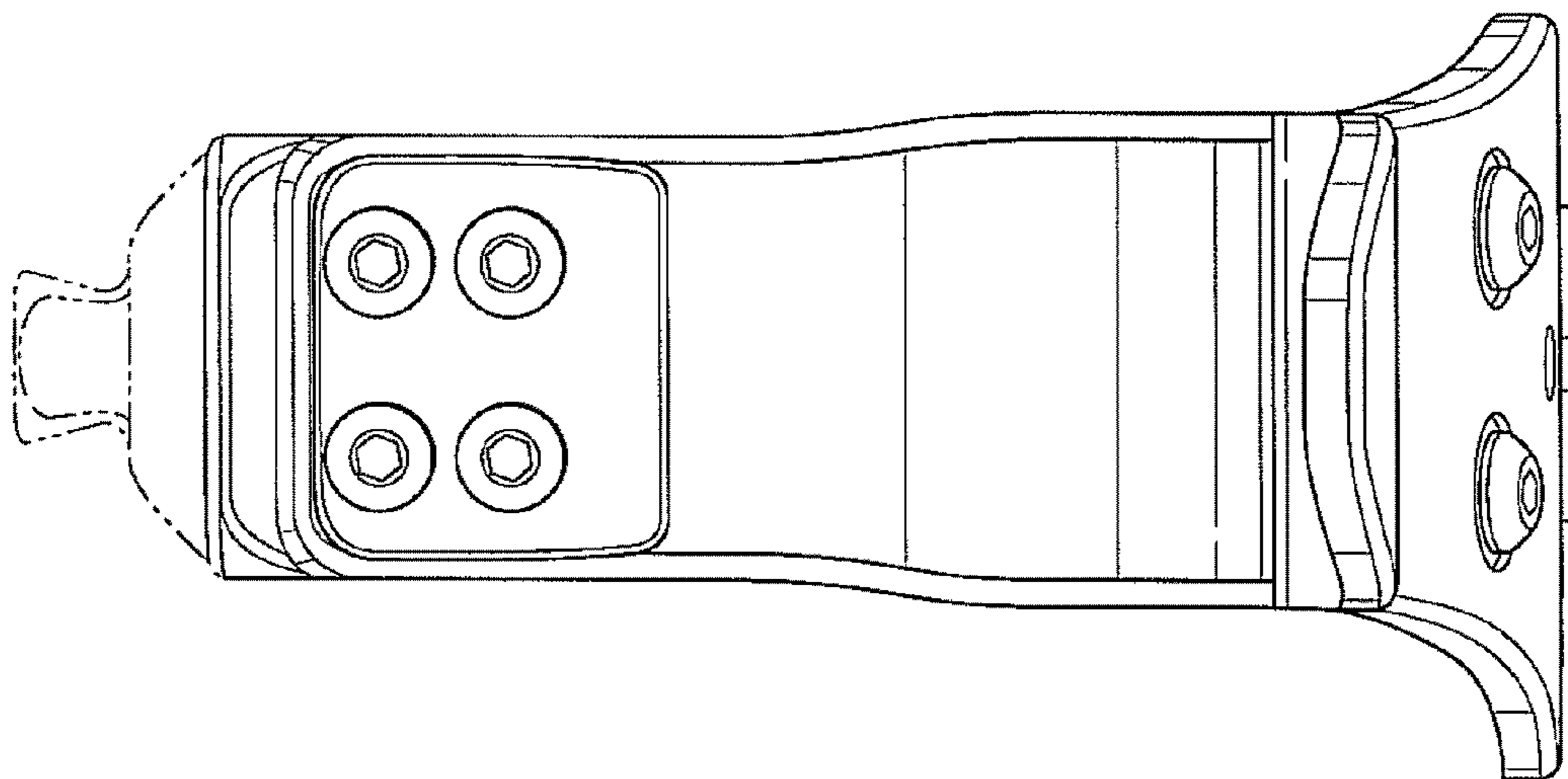


FIG. 4

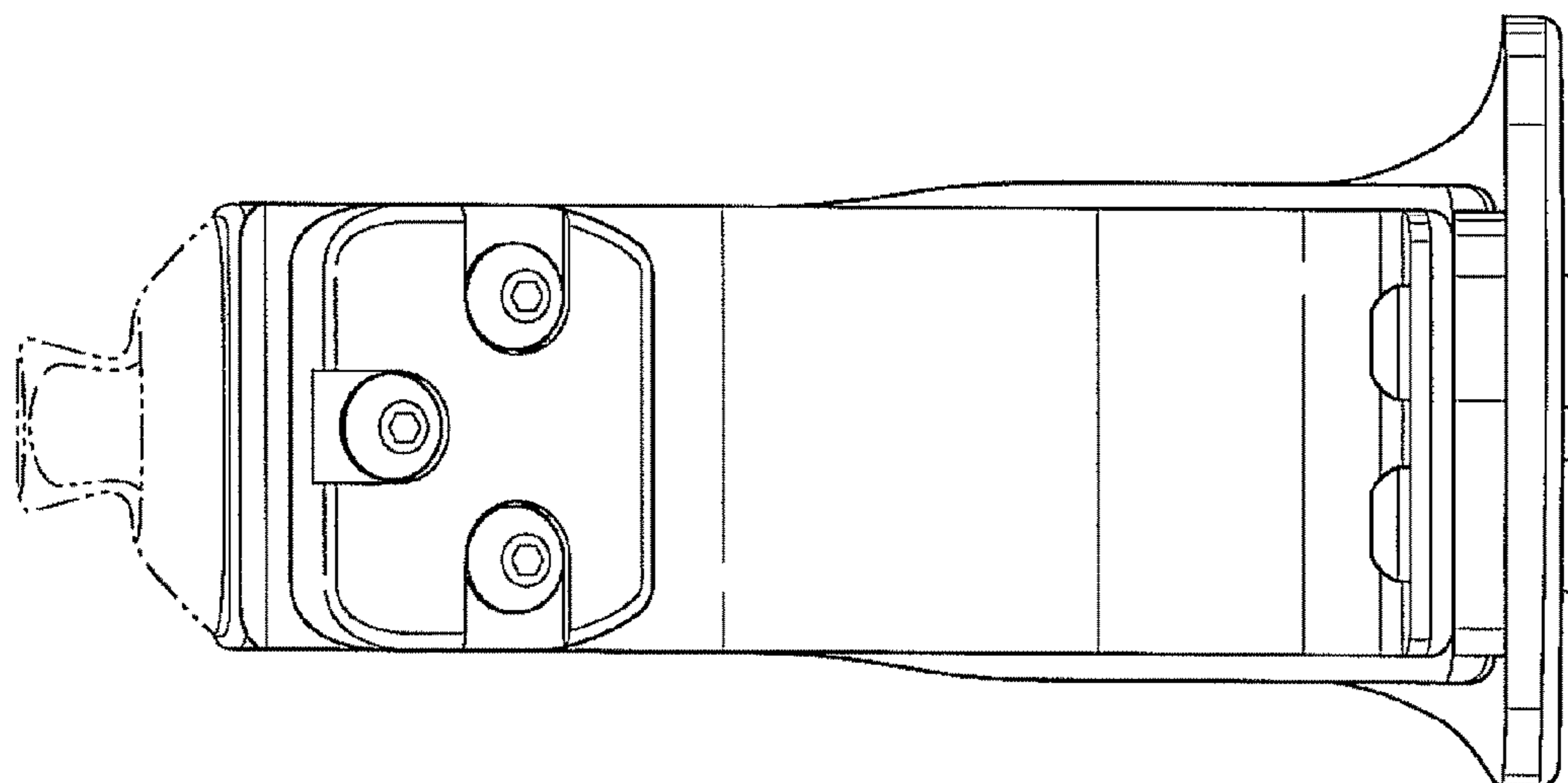


FIG. 3

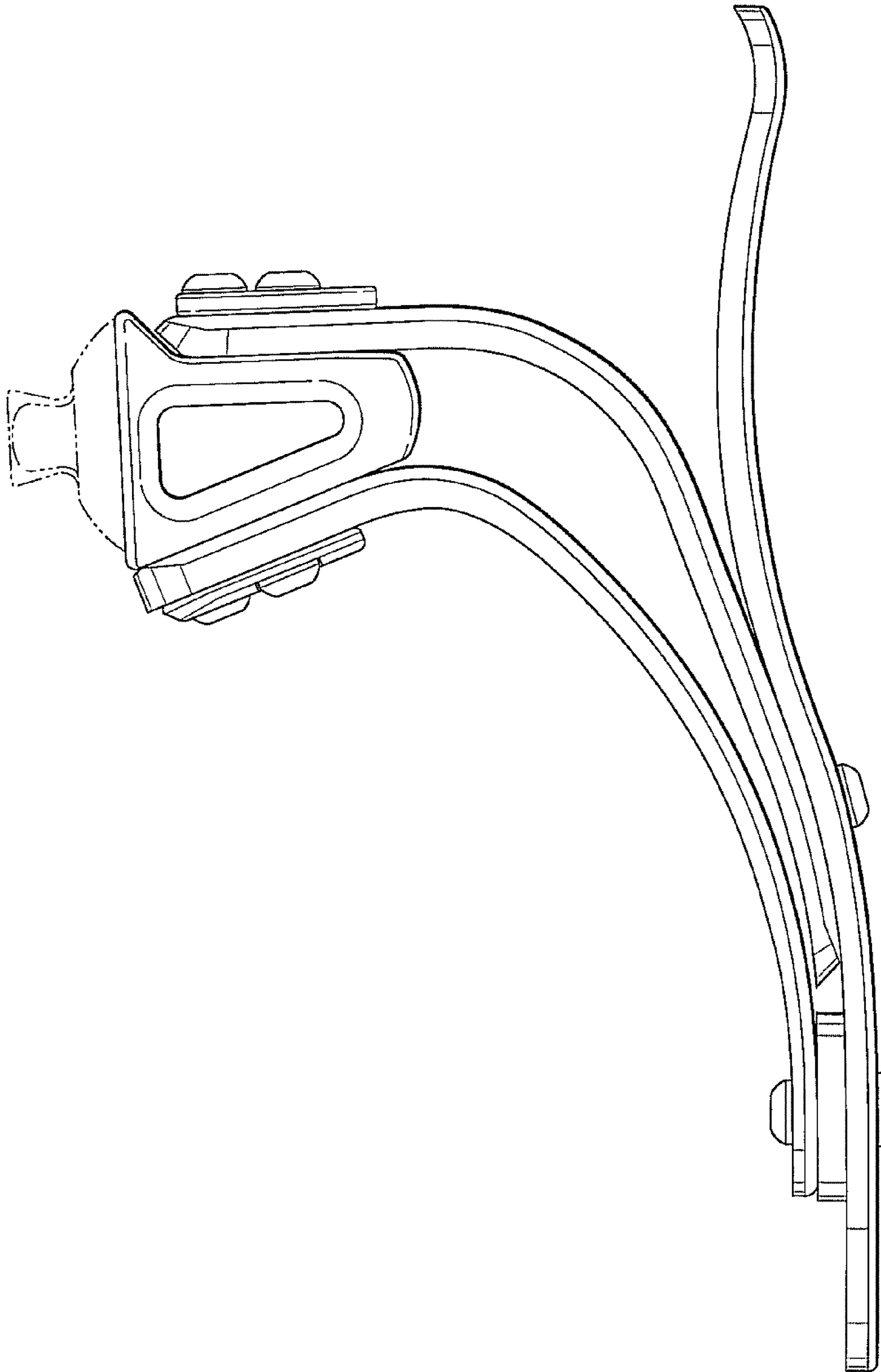


FIG. 5

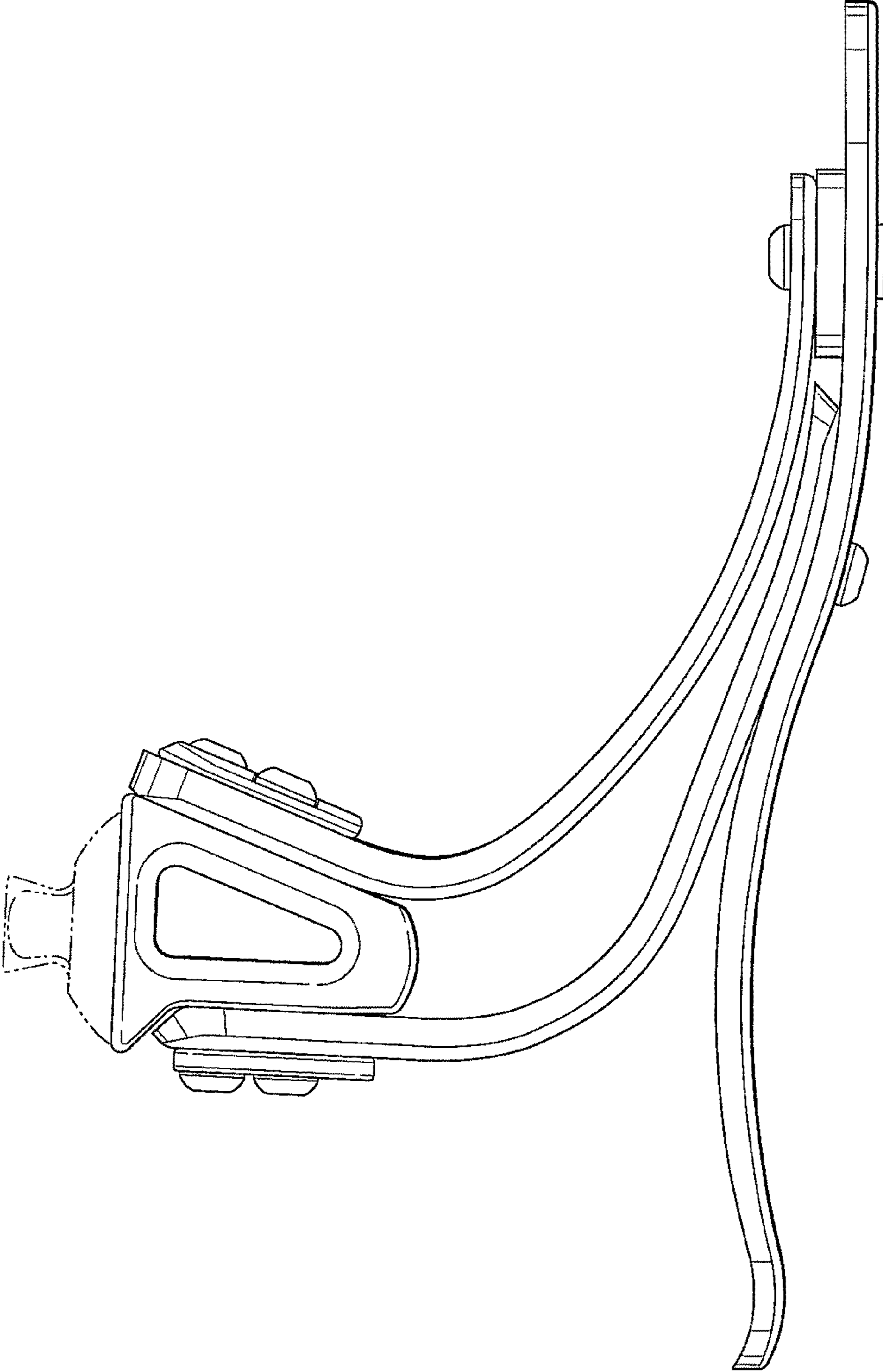
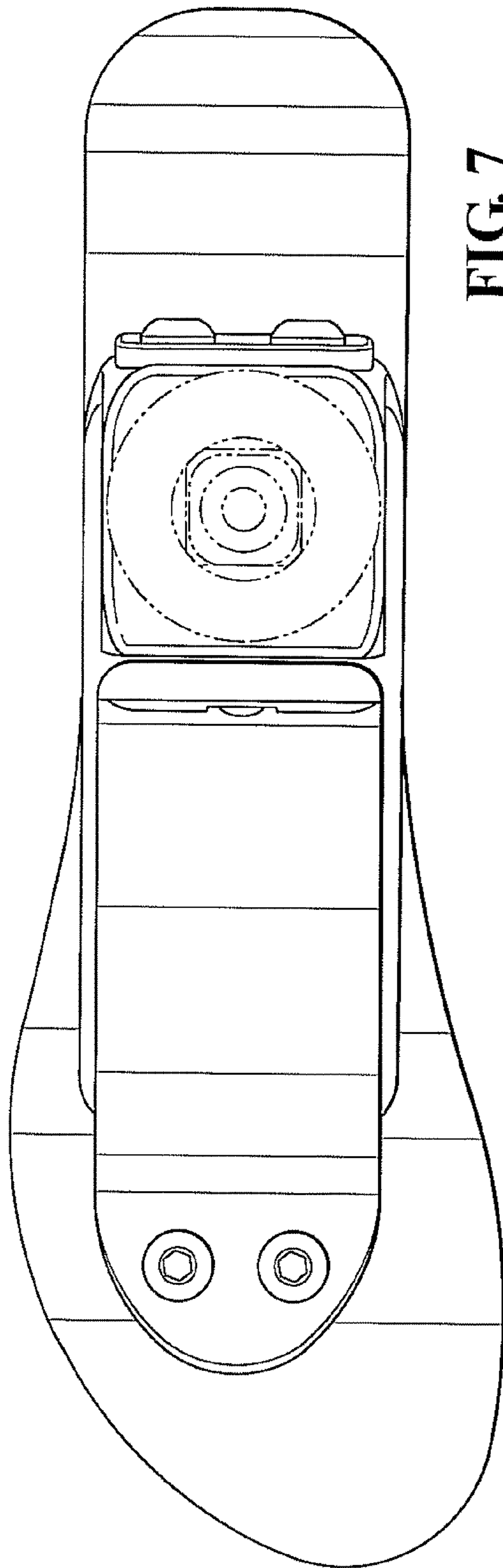
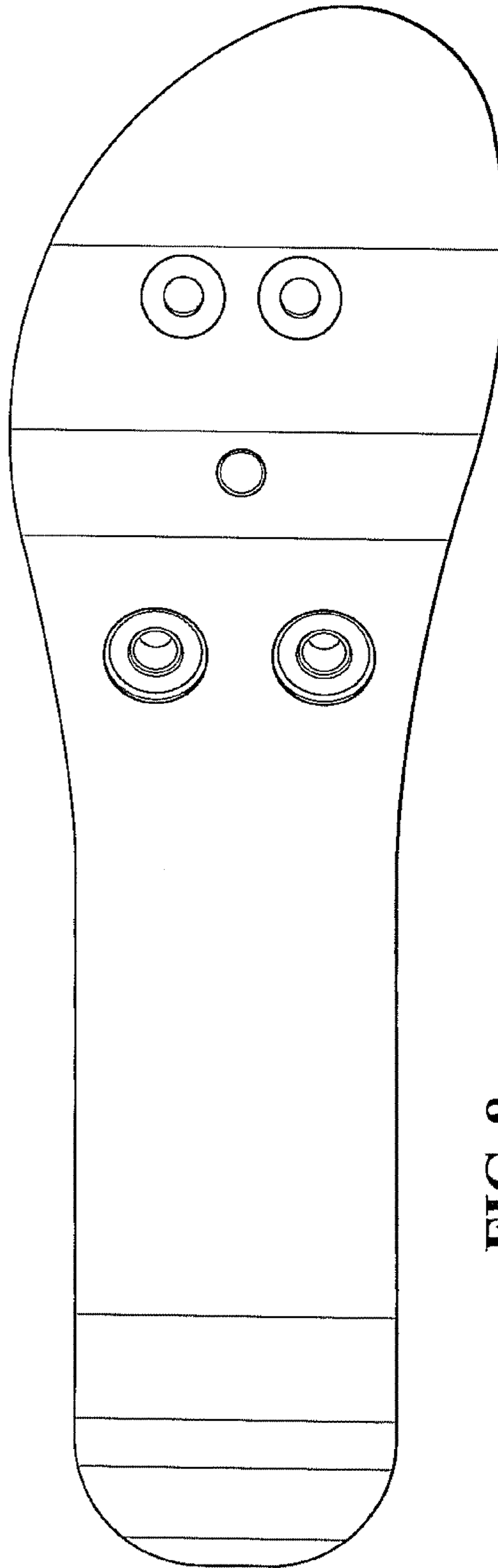


FIG. 6



**FIG. 7**



**FIG. 8**