



US00D655003S

(12) **United States Design Patent**
Stamp

(10) **Patent No.:** **US D655,003 S**
(45) **Date of Patent:** **** Feb. 28, 2012**

(54) **ASSEMBLY INTRODUCER ATTACHMENT**

(75) Inventor: **Kevin Stamp**, Maldon (GB)

(73) Assignee: **Ortho Solutions Limited**, Maldon, Essex (GB)

(**) Term: **14 Years**

(21) Appl. No.: **29/380,595**

(22) Filed: **Dec. 8, 2010**

(30) **Foreign Application Priority Data**

Oct. 22, 2010 (EM) 1001772096-0001
Oct. 22, 2010 (EM) 1001772096-0002
Oct. 22, 2010 (EM) 1001772096-0003
Oct. 22, 2010 (EM) 1001772096-0004

(51) **LOC (9) Cl.** **24-02**

(52) **U.S. Cl.** **D24/133**

(58) **Field of Classification Search** D24/133,
D24/140, 143, 144, 145, 146, 147, 155, 171;
606/86 R, 87, 88, 89, 108
See application file for complete search history.

(56) **References Cited**

U.S. PATENT DOCUMENTS

2,541,357 A * 2/1951 Hersh 433/160
D255,715 S * 7/1980 Markham D24/143
4,440,170 A * 4/1984 Golden et al. 606/142
4,574,794 A * 3/1986 Cooke et al. 606/88
4,907,577 A * 3/1990 Wu 606/87
5,003,964 A * 4/1991 Koshikawa et al. 600/110
D349,342 S * 8/1994 Van Noy et al. D24/143
5,702,400 A * 12/1997 Brown et al. 606/107
5,800,438 A * 9/1998 Tuke et al. 606/90
6,129,734 A * 10/2000 Shturman et al. 606/159
6,159,217 A * 12/2000 Robie et al. 606/88
D447,239 S * 8/2001 Enoch et al. D24/153
D459,806 S * 7/2002 Webb D24/150
D459,807 S * 7/2002 Webb D24/150
D460,553 S * 7/2002 Koros et al. D24/147
D463,859 S * 10/2002 Koros et al. D24/147
6,635,072 B1 * 10/2003 Ramamurti et al. 606/208

6,641,564 B1 * 11/2003 Kraus 604/164.1
6,796,986 B2 * 9/2004 Duffner 606/87
D559,388 S * 1/2008 Melcher D24/150
D571,914 S * 6/2008 Bacher D24/143
D592,747 S * 5/2009 Weiler et al. D24/143
7,618,420 B2 * 11/2009 Collazo 606/87
7,632,279 B2 * 12/2009 Bastian 606/88
D613,407 S * 4/2010 Baynham D24/146
7,927,341 B2 * 4/2011 Orbay et al. 606/104
7,955,324 B2 * 6/2011 Melcher et al. 606/10
2005/0192577 A1 * 9/2005 Mosca et al. 606/69
2005/0277962 A1 * 12/2005 Myers 606/153
2009/0163962 A1 * 6/2009 Dauster et al. 606/305

* cited by examiner

Primary Examiner — Bridget L Eland

(74) *Attorney, Agent, or Firm* — Venable LLP; Robert Kinberg; Leigh D. Thelen

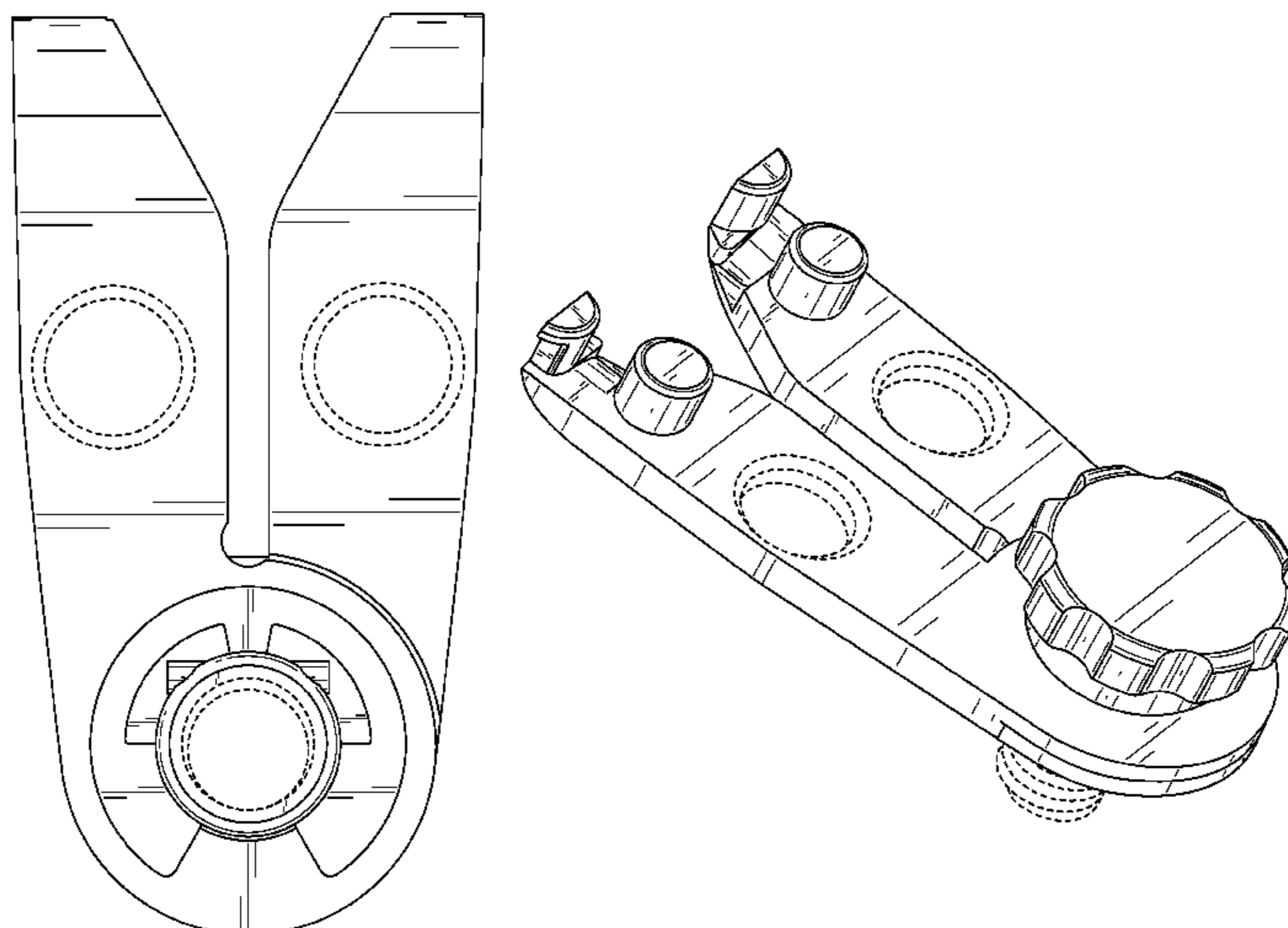
(57) **CLAIM**

The ornamental design for an assembly introducer attachment, as shown and described.

DESCRIPTION

FIG. 1 is a front-right perspective view of an assembly introducer attachment of the present invention;
FIG. 2 is a front view of the assembly introducer attachment of the present invention;
FIG. 3 is a rear view of the assembly introducer attachment of the present invention;
FIG. 4 is a right side view of the assembly introducer attachment of the present invention;
FIG. 5 is a top view of the assembly introducer attachment of the present invention;
FIG. 6 is a bottom view of the assembly introducer attachment of the present invention; and,
FIG. 7 is a rear-left perspective view of the assembly introducer attachment of the present invention.
The broken lines immediately adjacent the shaded areas represent the bounds of the claimed design while all other broken lines are directed to environment and are for illustrative purposes only; the broken lines form no part of the claimed design.

1 Claim, 6 Drawing Sheets



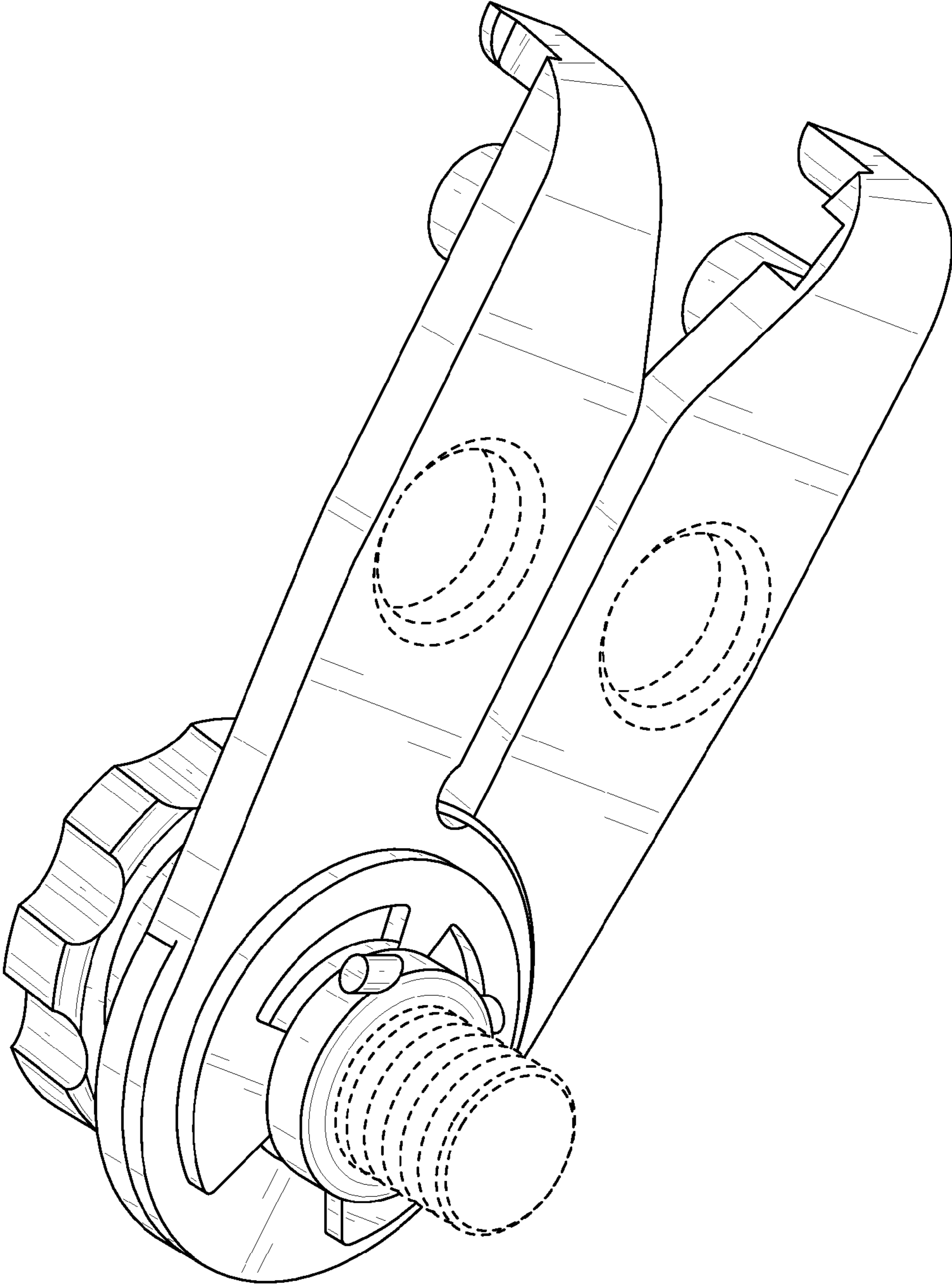


FIG. 1

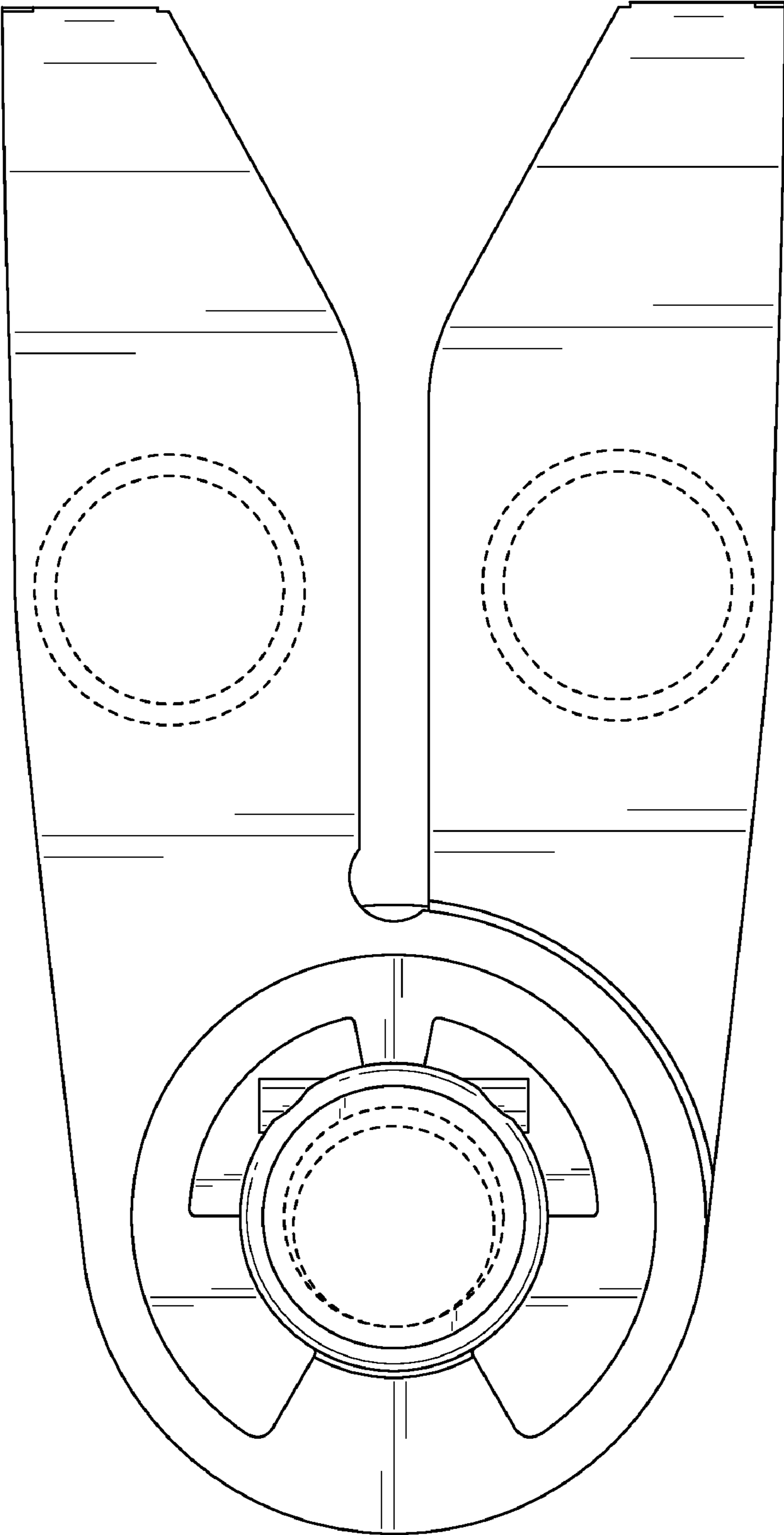


FIG. 2

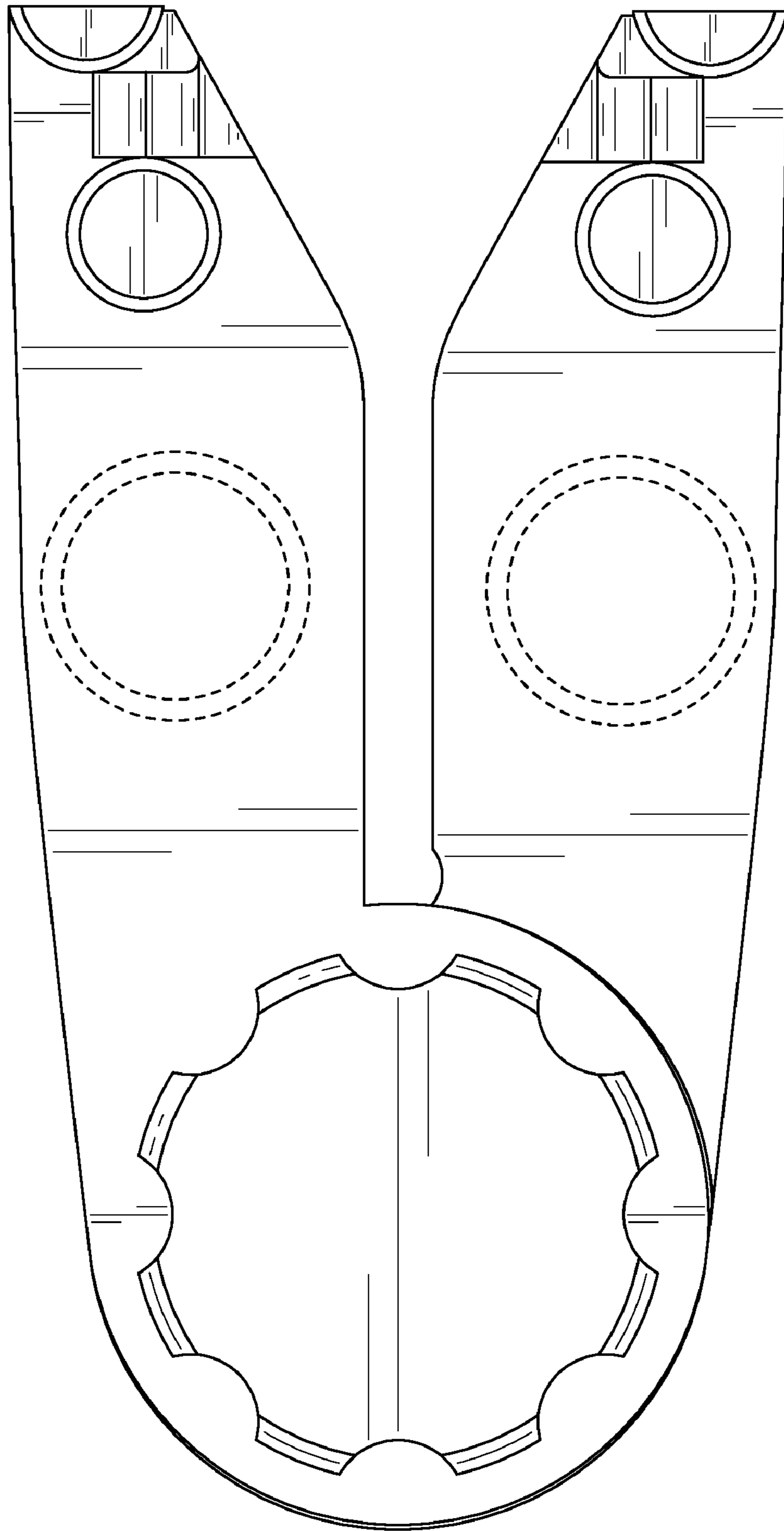


FIG. 3

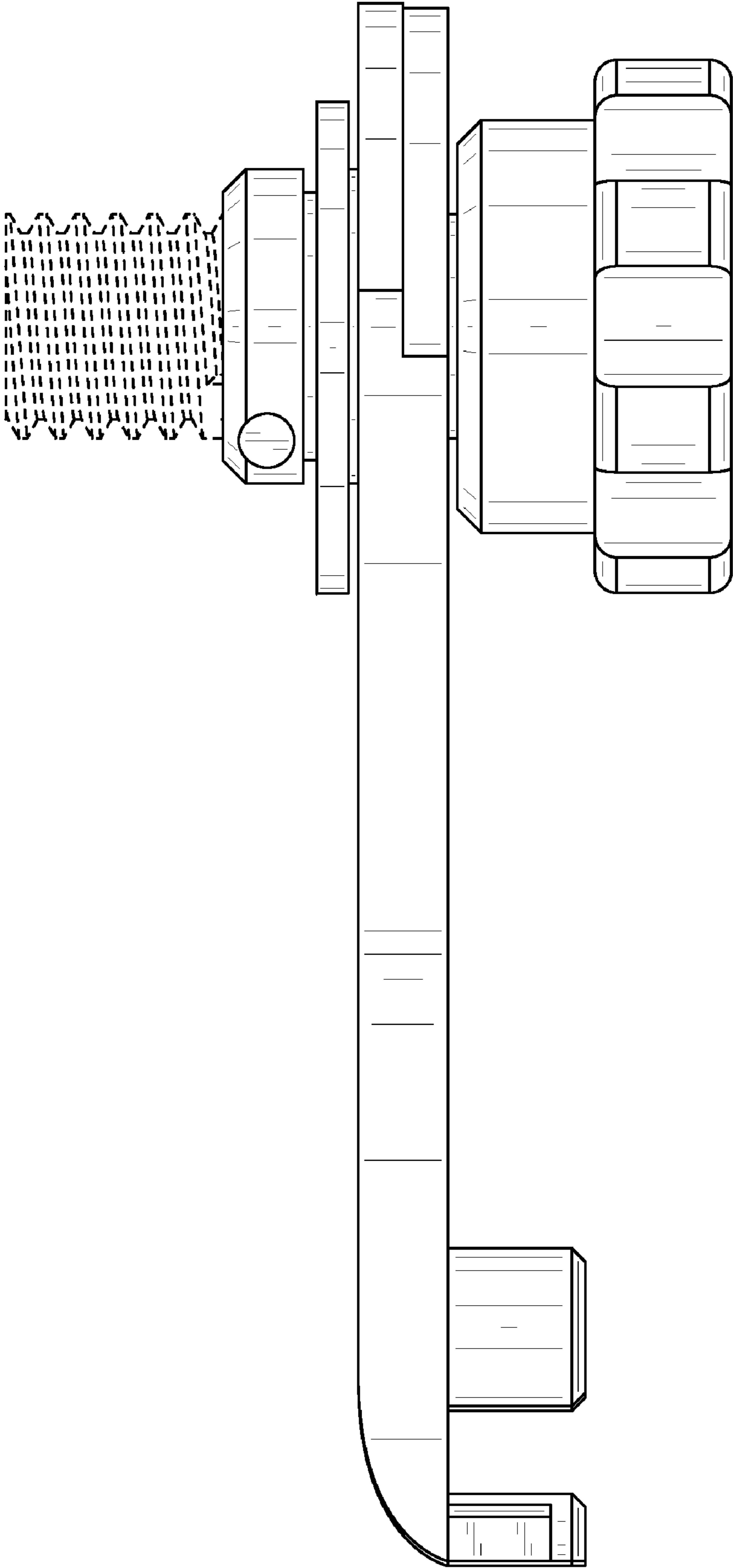


FIG. 4

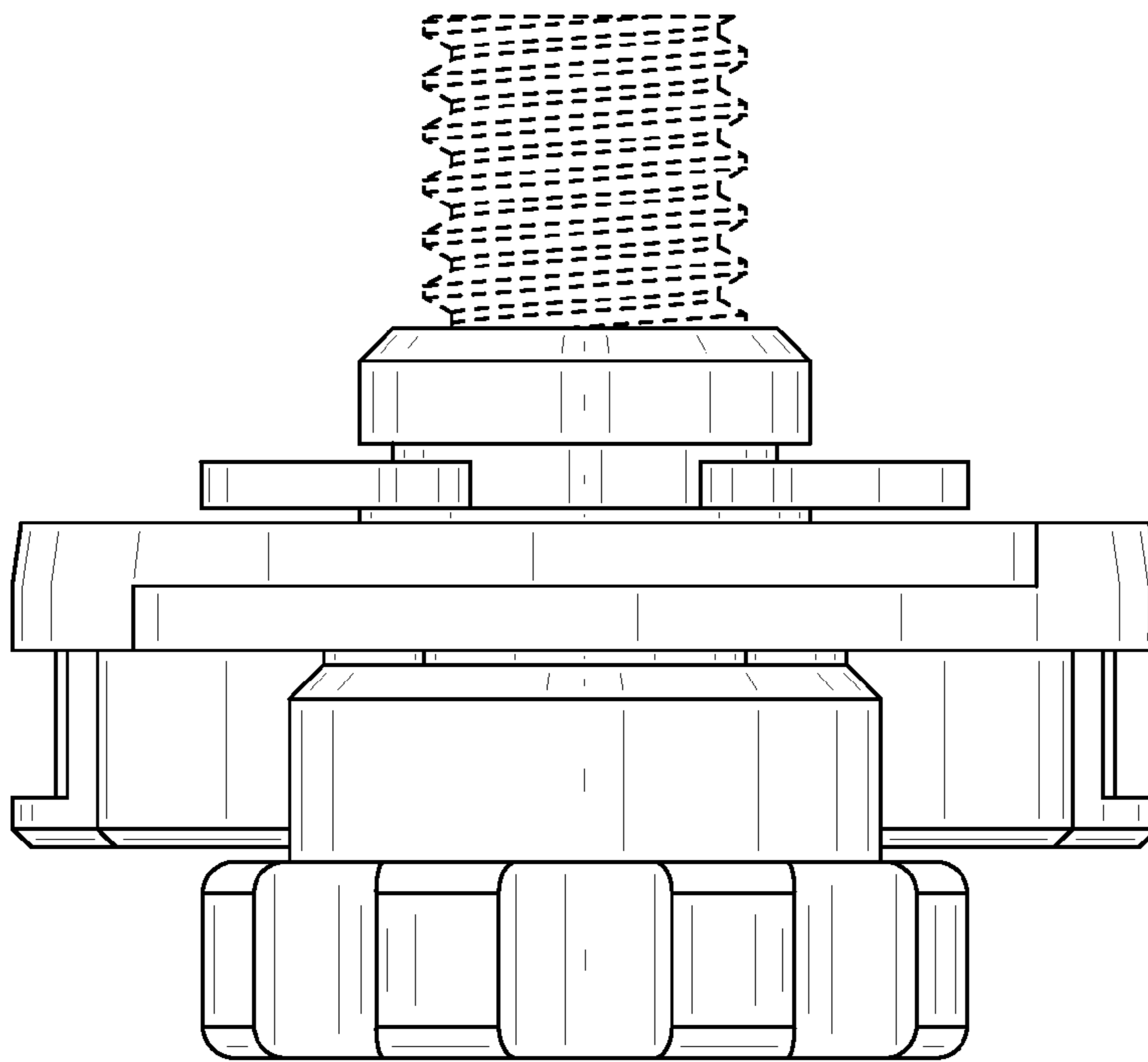


FIG. 5

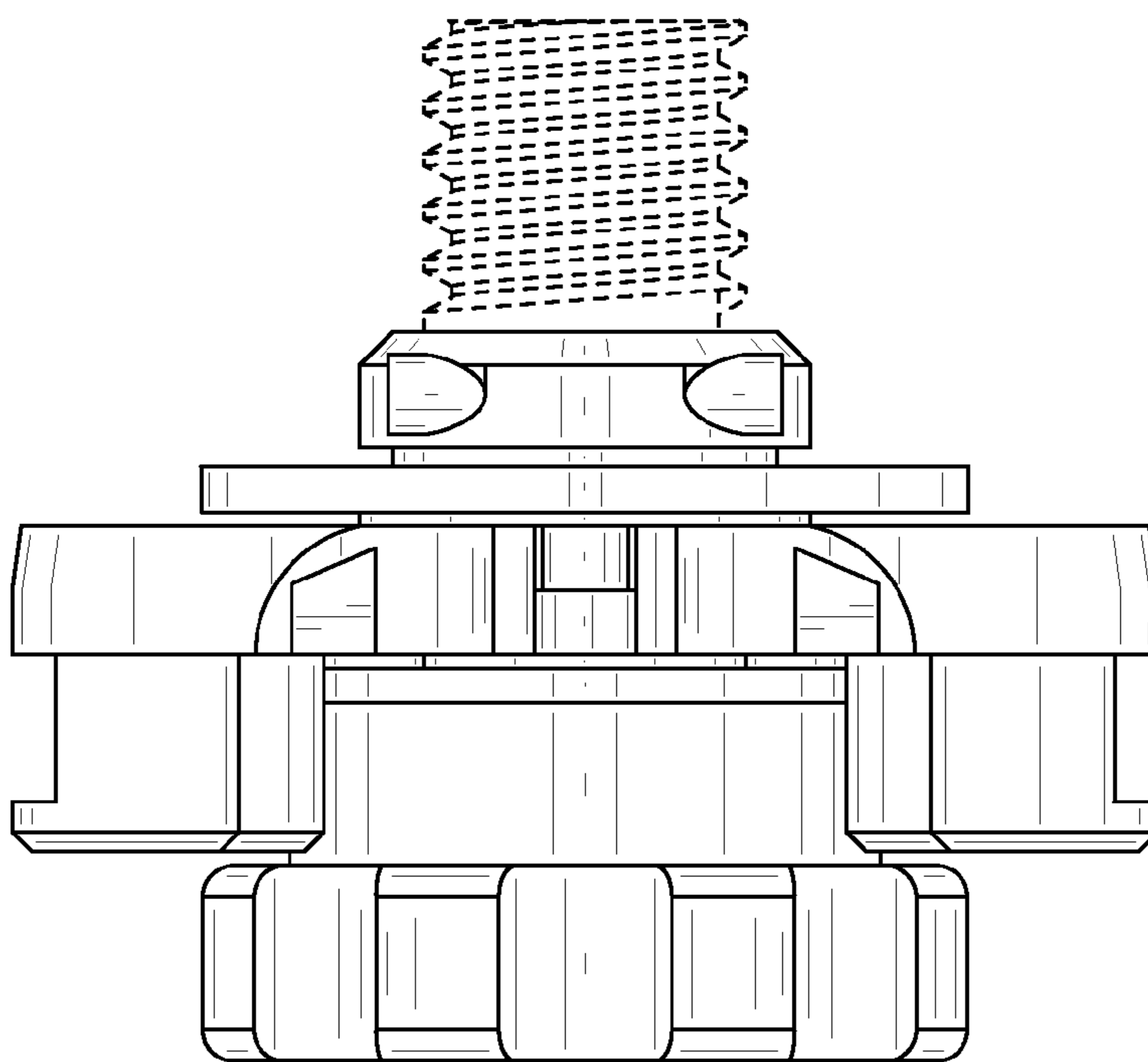


FIG. 6

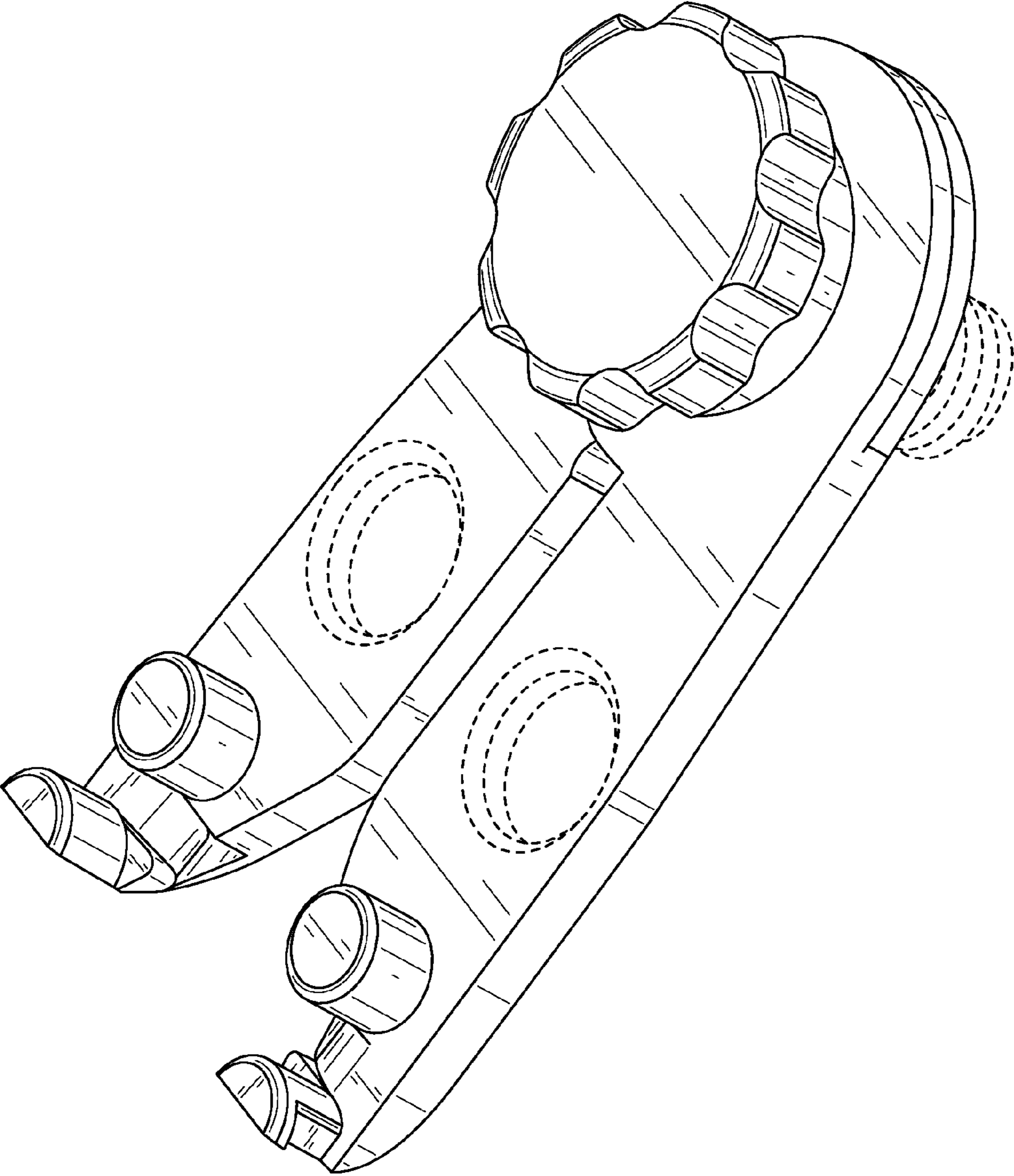


FIG. 7